



US00D329989S

United States Patent [19]

[11] Patent Number: **Des. 329,989**

Sampey

[45] Date of Patent: **** Oct. 6, 1992**

[54] **TRAFFIC COUNTER**

[75] Inventor: **Harry R. Sampey**, Farmington, Pa.

[73] Assignee: **Nu-Metrics, Inc.**, Vanderbilt, Pa.

[**] Term: **14 Years**

[21] Appl. No.: **740,198**

[22] Filed: **Aug. 2, 1991**

[52] U.S. Cl. **D10/97**

[58] Field of Search **D10/97; D6/511, 510;**
324/244-259, 260; 340/908, 933, 934; 364/436,
437

4,827,218 5/1989 McUnier et al. 324/260 X

4,945,356 7/1990 Henderson et al. 340/933 X

5,008,666 4/1991 Gebert et al. 340/933 X

5,119,025 6/1992 Smith et al. 324/260 X

Primary Examiner—Nelson C. Holtje
Assistant Examiner—Antoine D. Davis
Attorney, Agent, or Firm—Webb, Burden, Ziesenheim & Webb

[57] CLAIM

The ornamental design for the traffic counter, as shown.

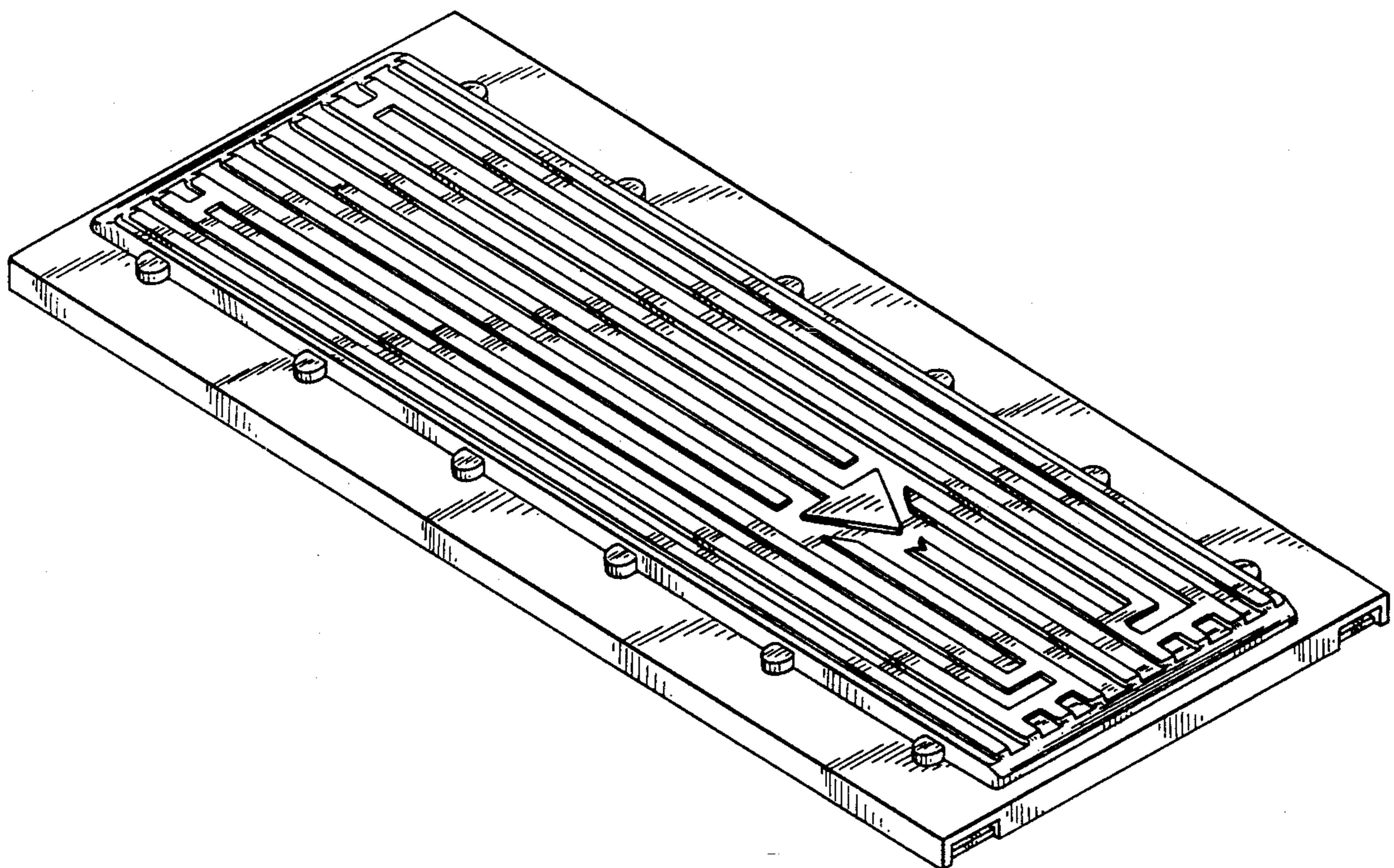
DESCRIPTION

FIG. 1 is a top, front and right side perspective view of a traffic counter showing my new design;
 FIG. 2 is a top plan view;
 FIG. 3 is a rear elevational view;
 FIG. 4 is a bottom plan view;
 FIG. 5 is a left side elevational view; and,
 FIG. 6 is a right side elevational view thereof.
 FIG. 1 has been drawn on an enlarged scale with respect to FIGS. 2-5.

[56] **References Cited**

U.S. PATENT DOCUMENTS

D. 312,545	12/1990	Cohn	D6/511
4,232,265	11/1980	Smirnov	324/244 X
4,341,998	7/1982	Castera et al.	324/244
4,536,710	8/1985	Dunham	324/244
4,823,083	4/1989	McUnier et al.	324/260 X



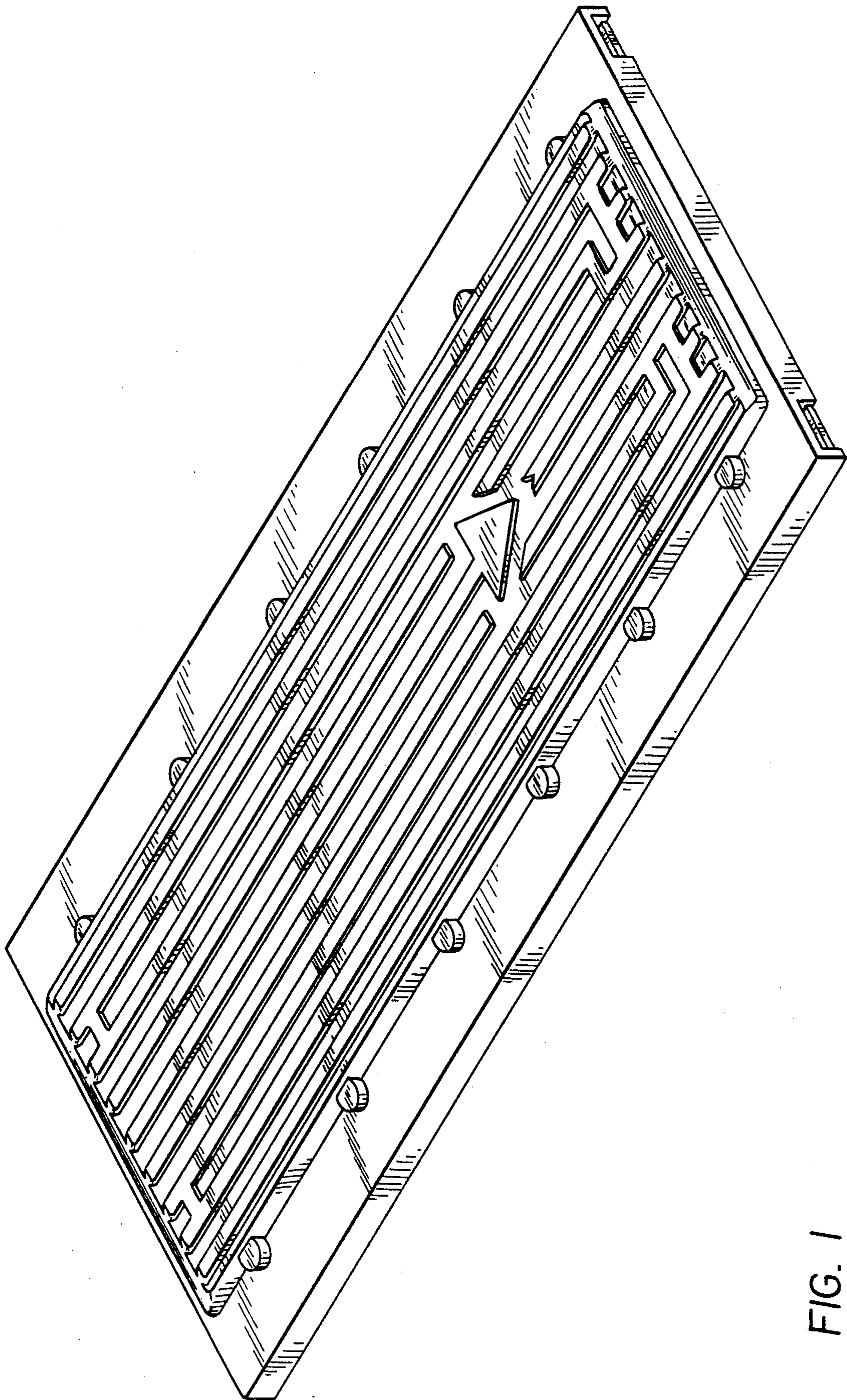


FIG. 1

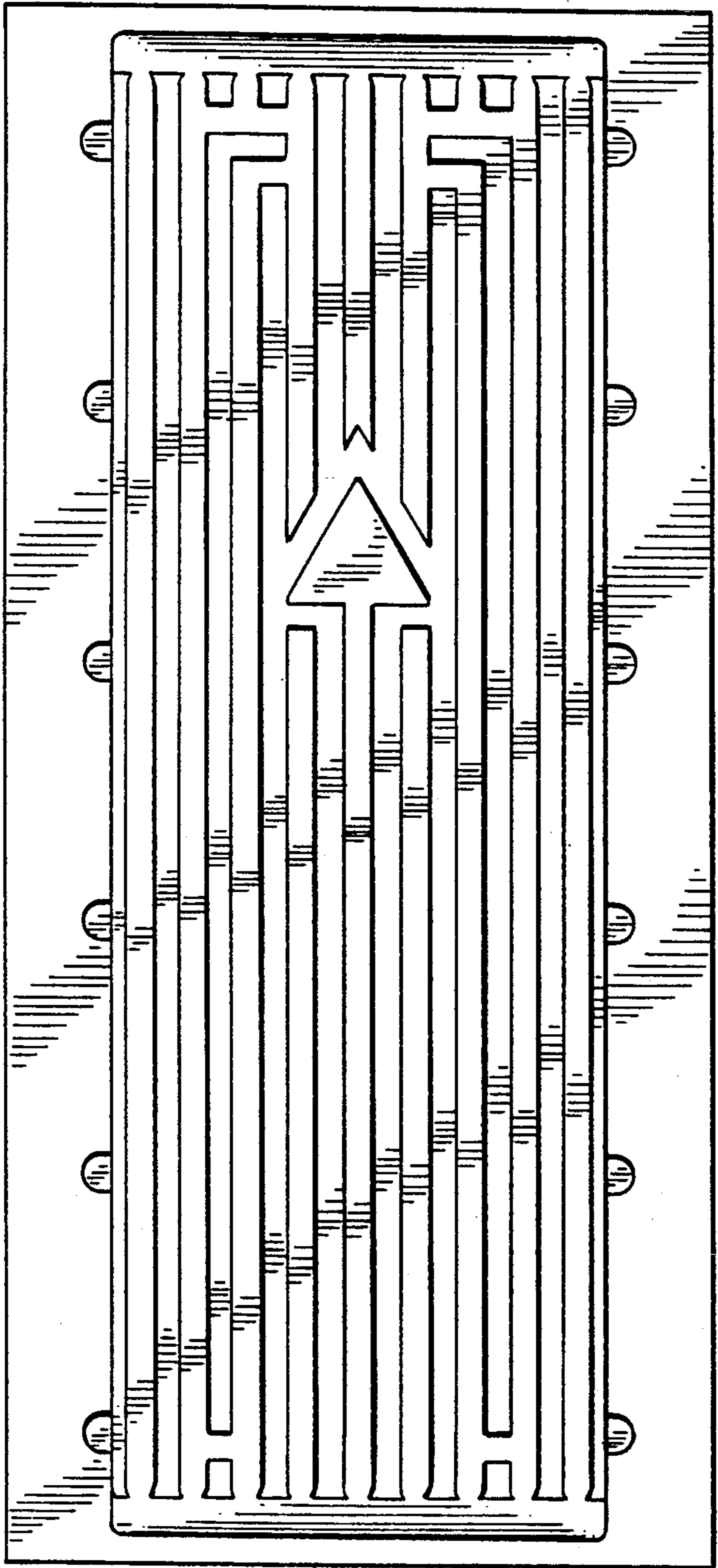


FIG. 2



FIG. 3

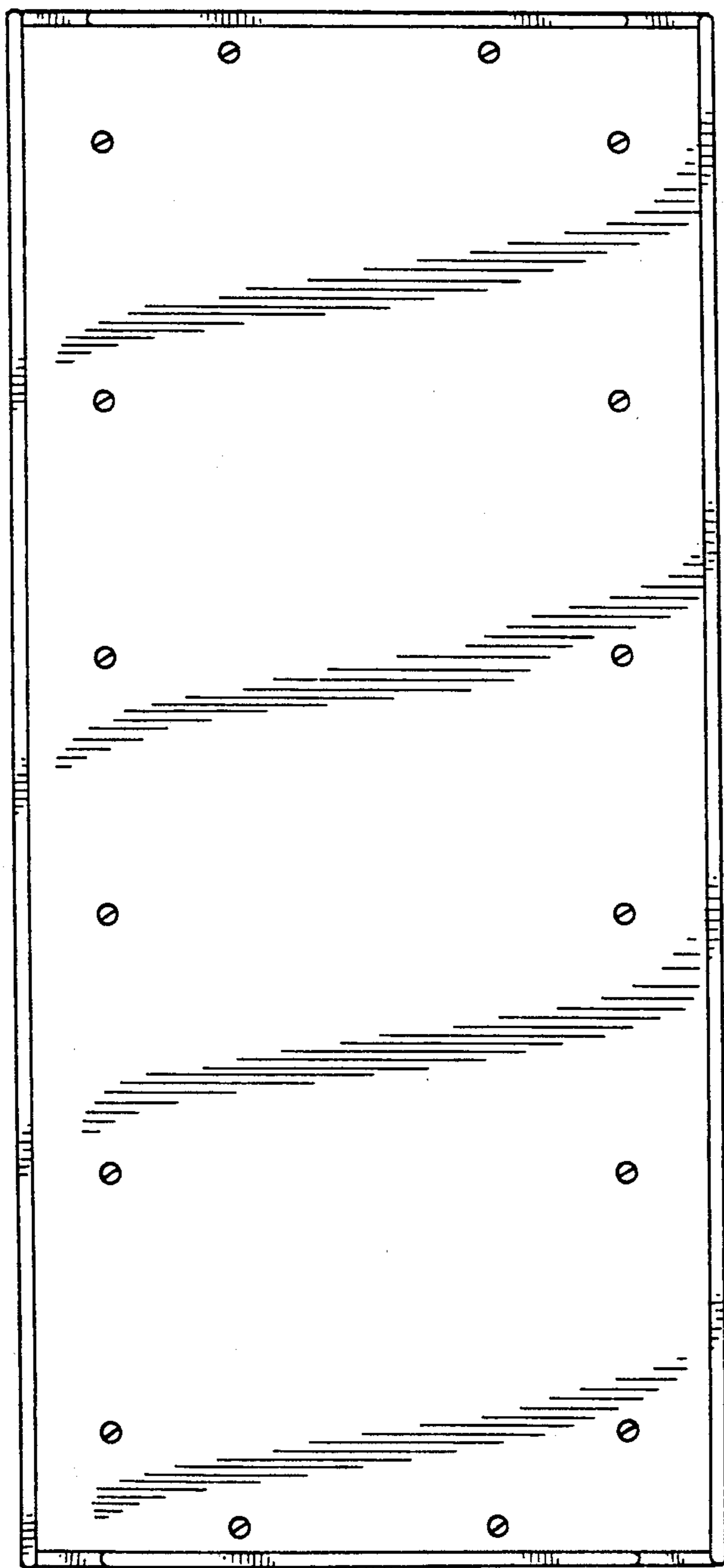


FIG. 4

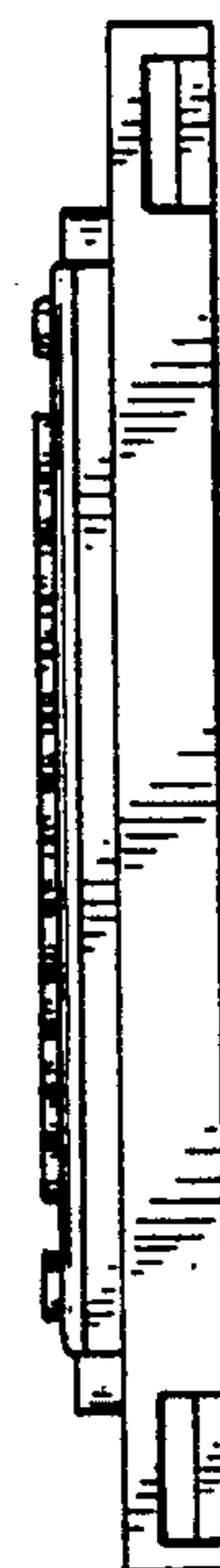


FIG. 6

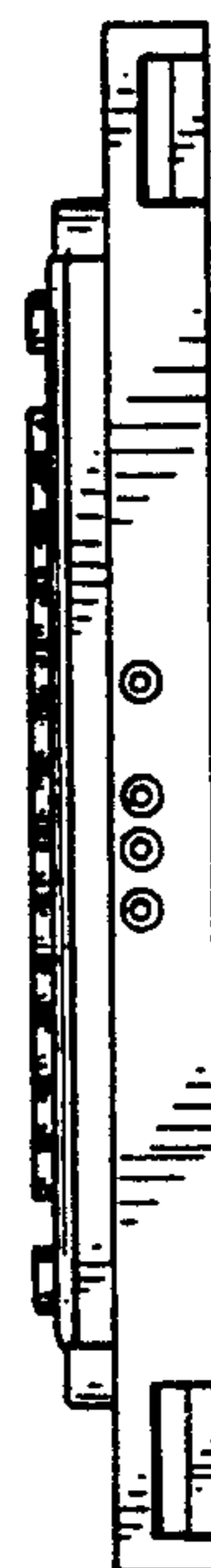


FIG. 5