



US00D329981S

# United States Patent [19]

[11] Patent Number: **Des. 329,981**

Card

[45] Date of Patent: **\*\* Oct. 6, 1992**

[54] **SPOUTED CLOSURE**

[76] Inventor: **Timothy B. Card**, 4666 Barger Dr., Eugene, Oreg. 97402

[\*\*] Term: **14 Years**

[21] Appl. No.: **517,594**

[22] Filed: **May 2, 1990**

[52] U.S. Cl. .... **D9/447; D9/439**

[58] Field of Search ..... **D9/434, 435, 439, 447; 222/517, 563, 566, 570; 220/306, 307, 352, 356, 733**

*Primary Examiner*—Bernard Ansher  
*Assistant Examiner*—Dominic Simone  
*Attorney, Agent, or Firm*—Chernoff, Vilhauer, McClung & Stenzel

[57] **CLAIM**

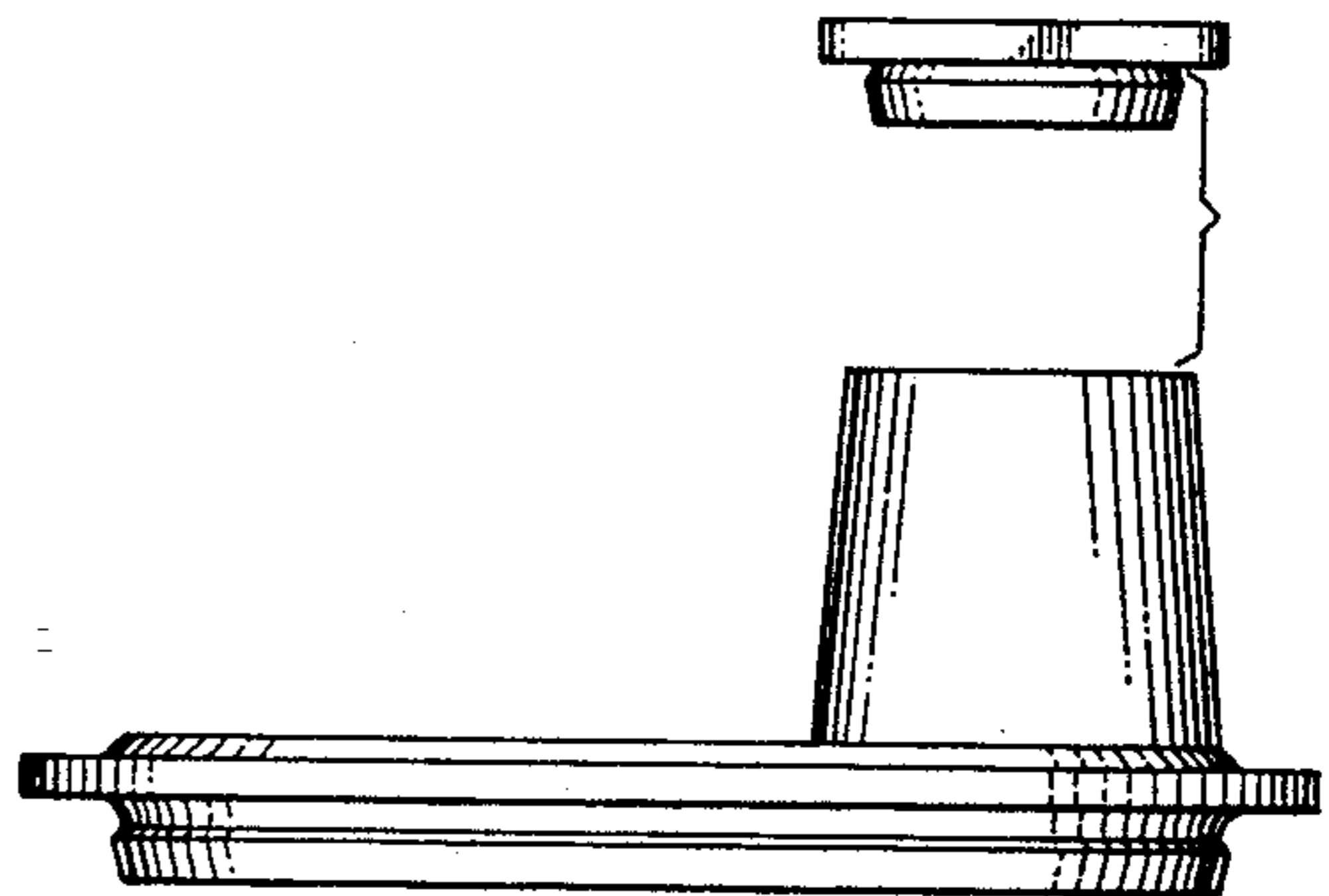
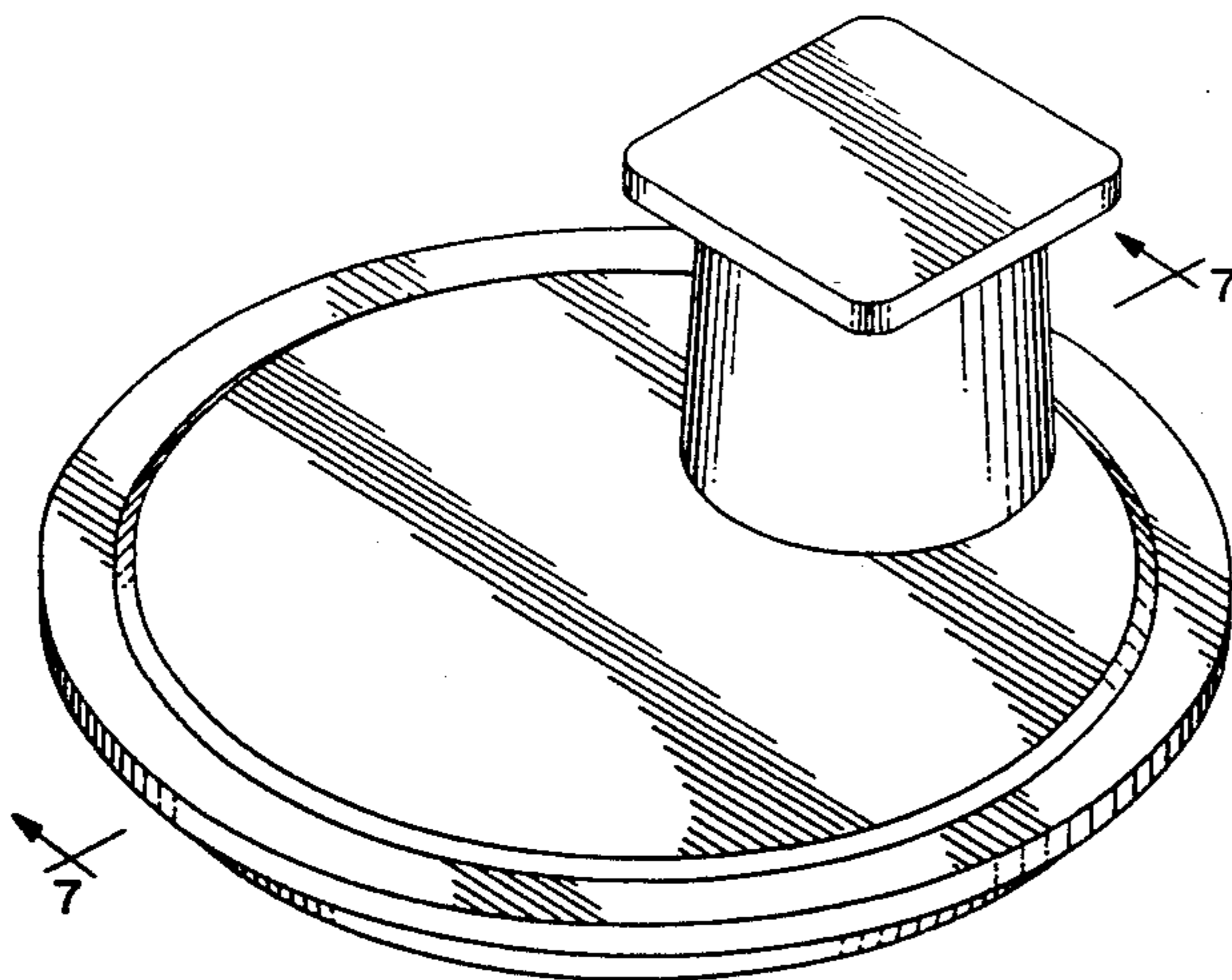
The ornamental design for a spouted closure, as shown and described.

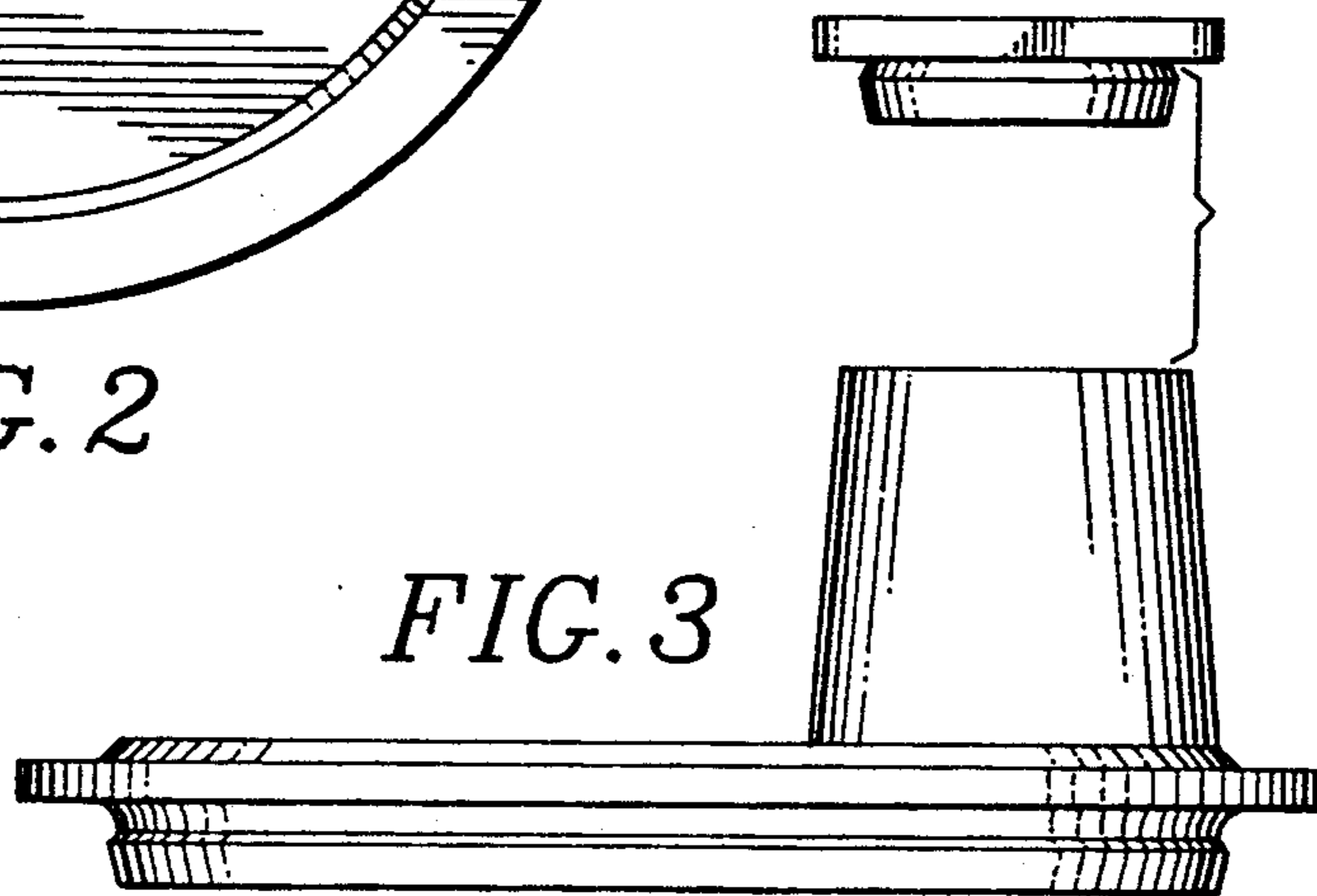
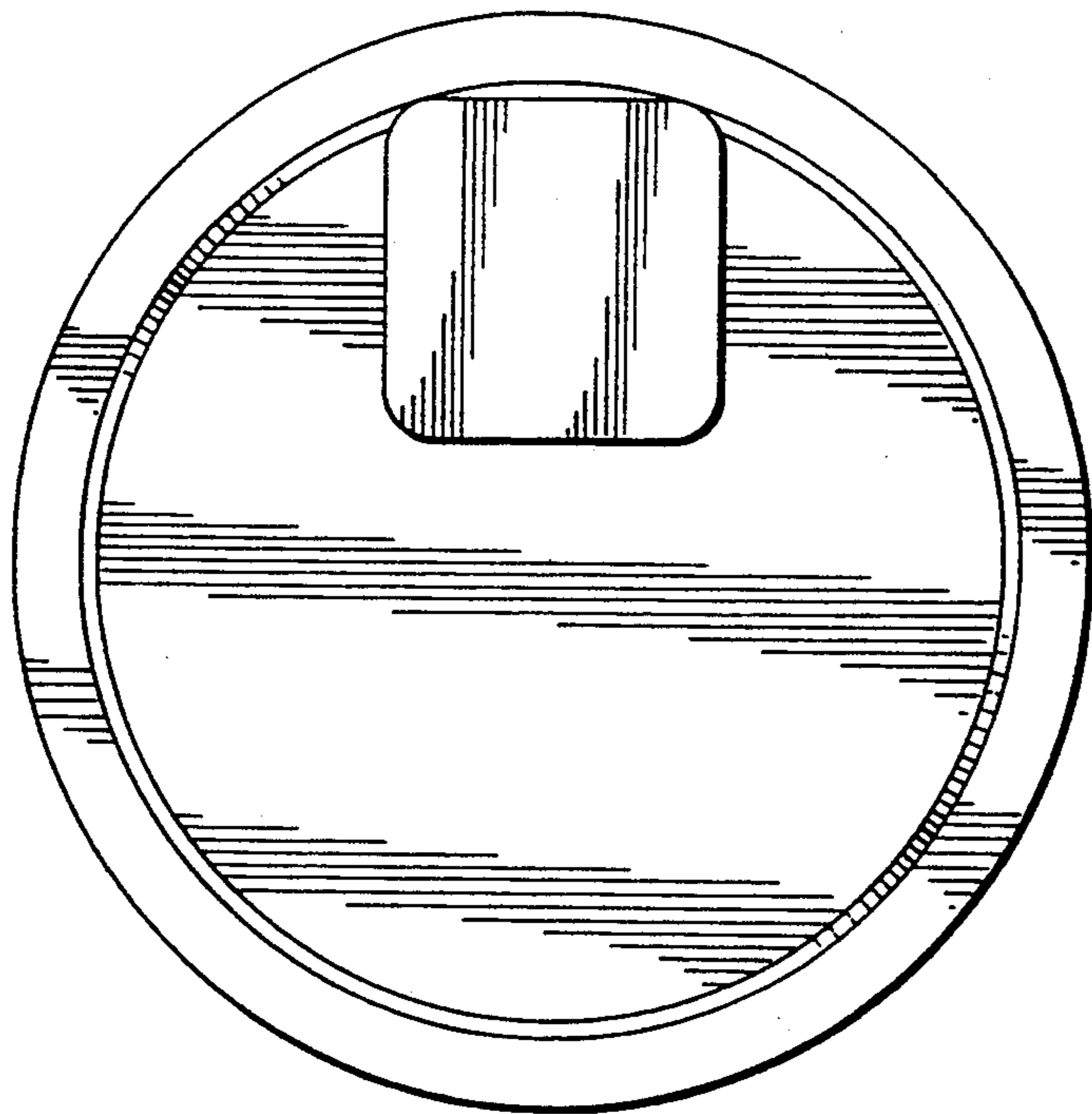
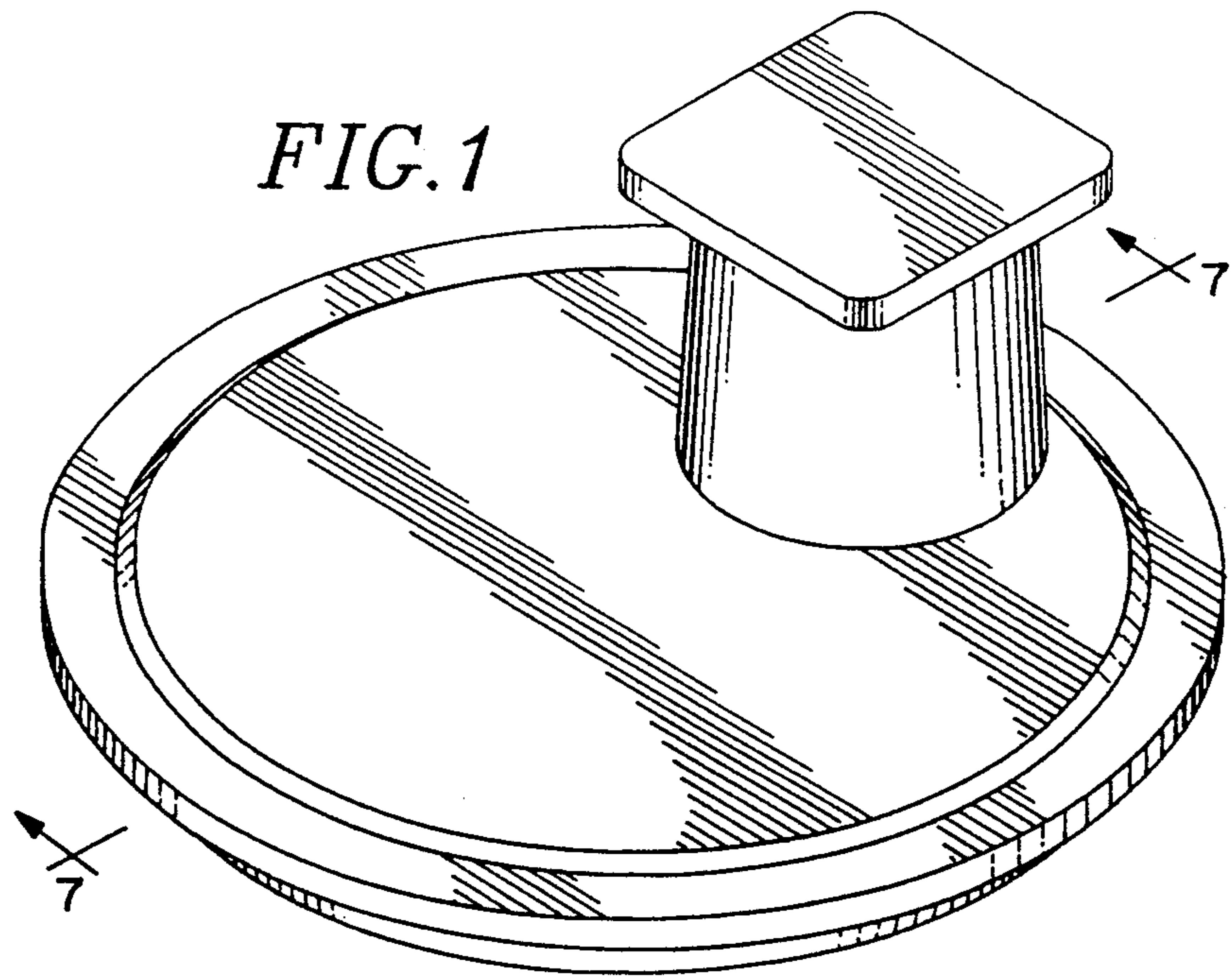
**DESCRIPTION**

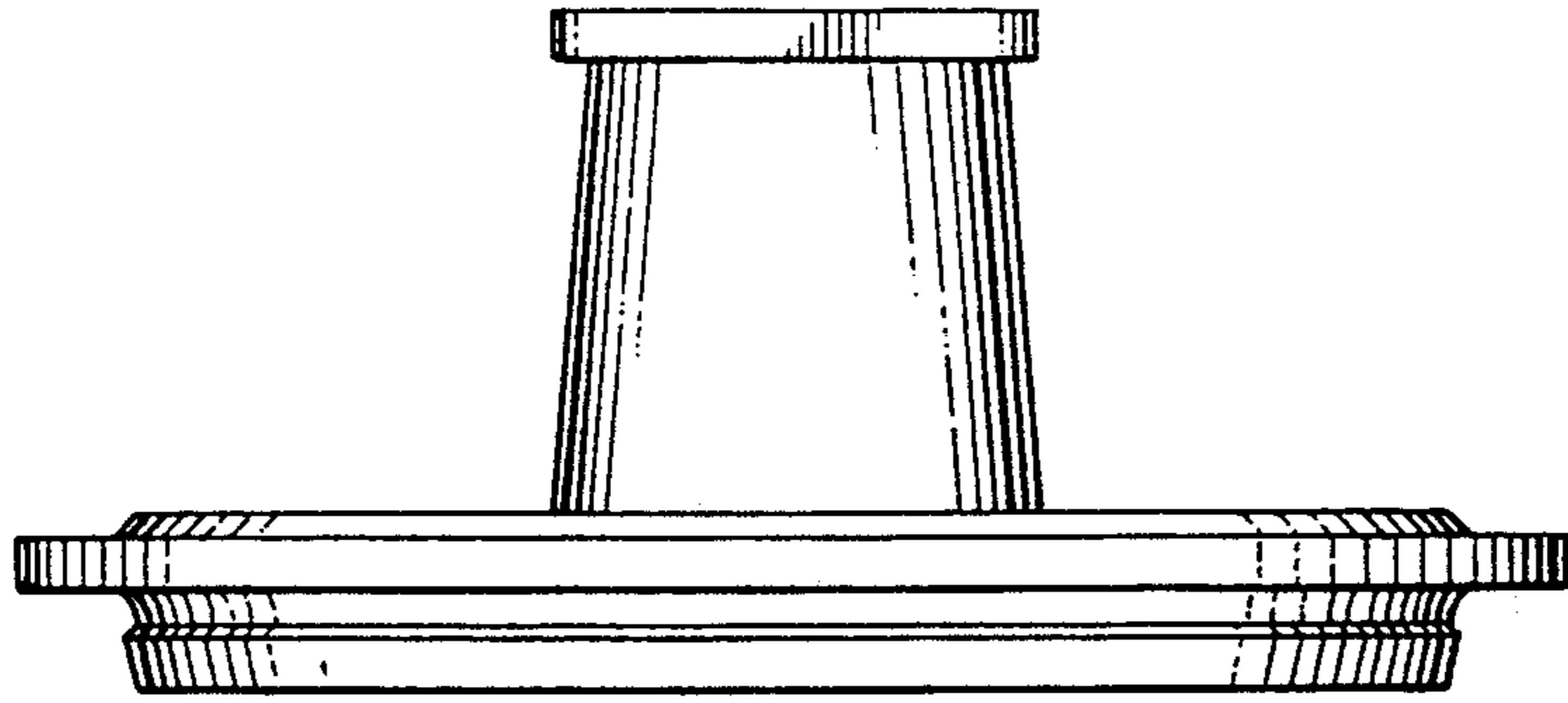
FIG. 1 is a top perspective view of a spouted closure showing my new design;  
FIG. 2 is a top plan view thereof;  
FIG. 3 is an exploded side elevational view thereof, the opposite side view being a mirror image thereto;  
FIG. 4 is an end elevational view thereof, the opposite end view being identical thereto;  
FIG. 5 is a bottom plan view thereof;  
FIG. 6 is a bottom plan view of the spout closure, shown separately for clarity of illustration; and,  
FIG. 7 is a cross-section view thereof, taken in the direction of the arrows along line 7—7 of FIG. 1.

[56] **References Cited**  
**U.S. PATENT DOCUMENTS**

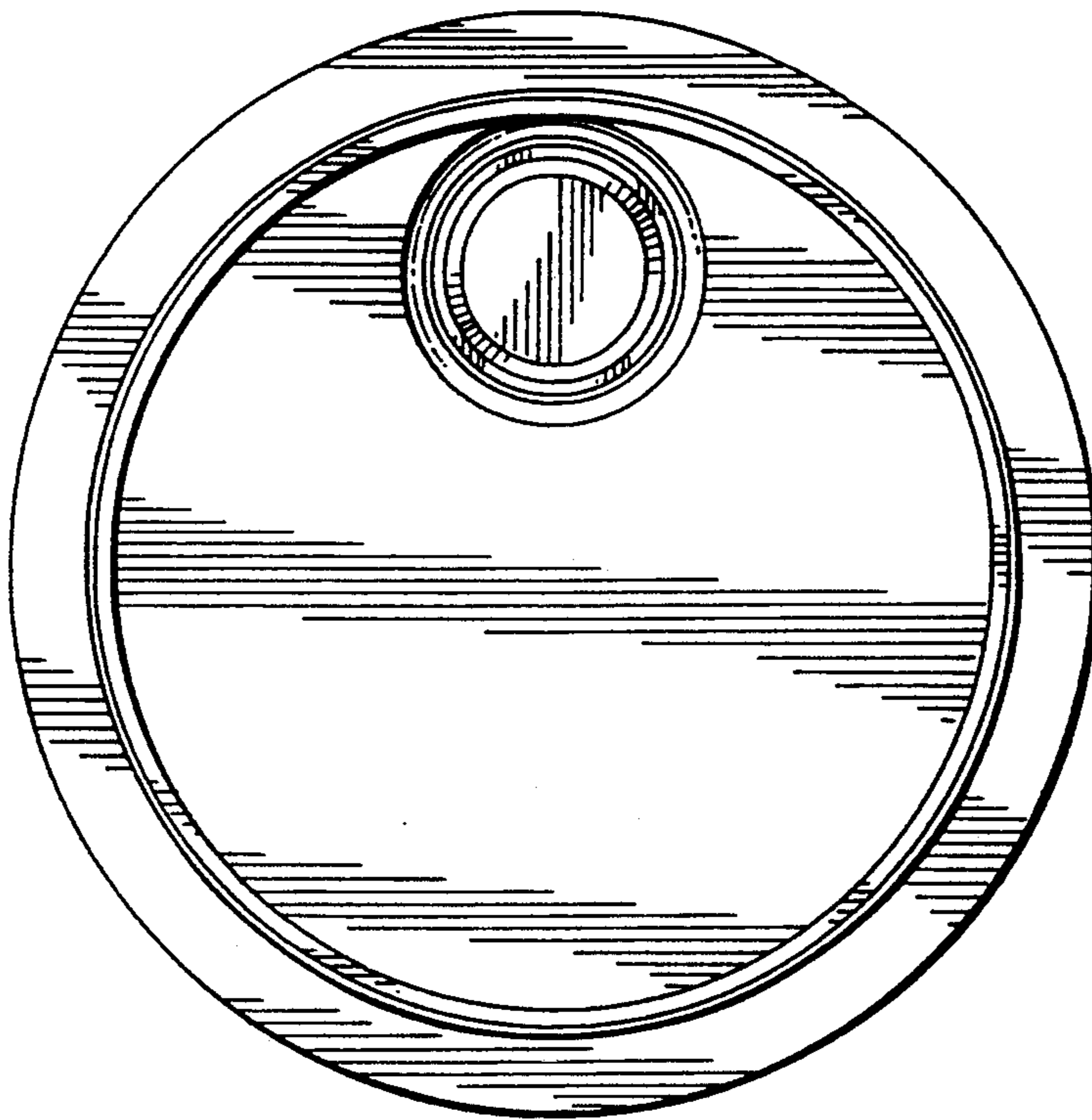
D. 26,539	1/1897	Schram .....	D9/447
D. 210,196	2/1968	Greitzer et al. ....	D9/440
D. 217,759	6/1970	Schweickart .....	D9/449
D. 247,848	5/1978	Croyle .....	D9/447
D. 320,551	10/1991	Wilson .....	D9/447
2,326,881	8/1943	Packer .....	222/517
4,014,465	3/1977	Ritter .....	222/563



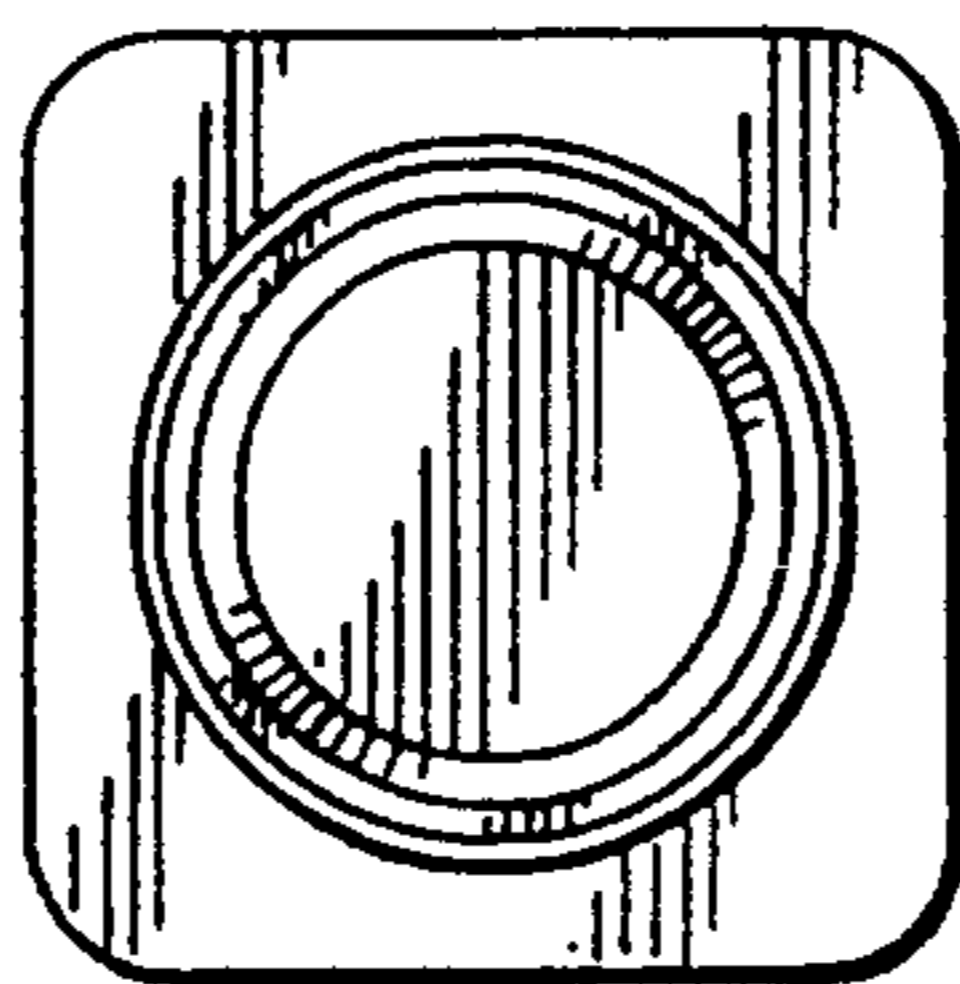




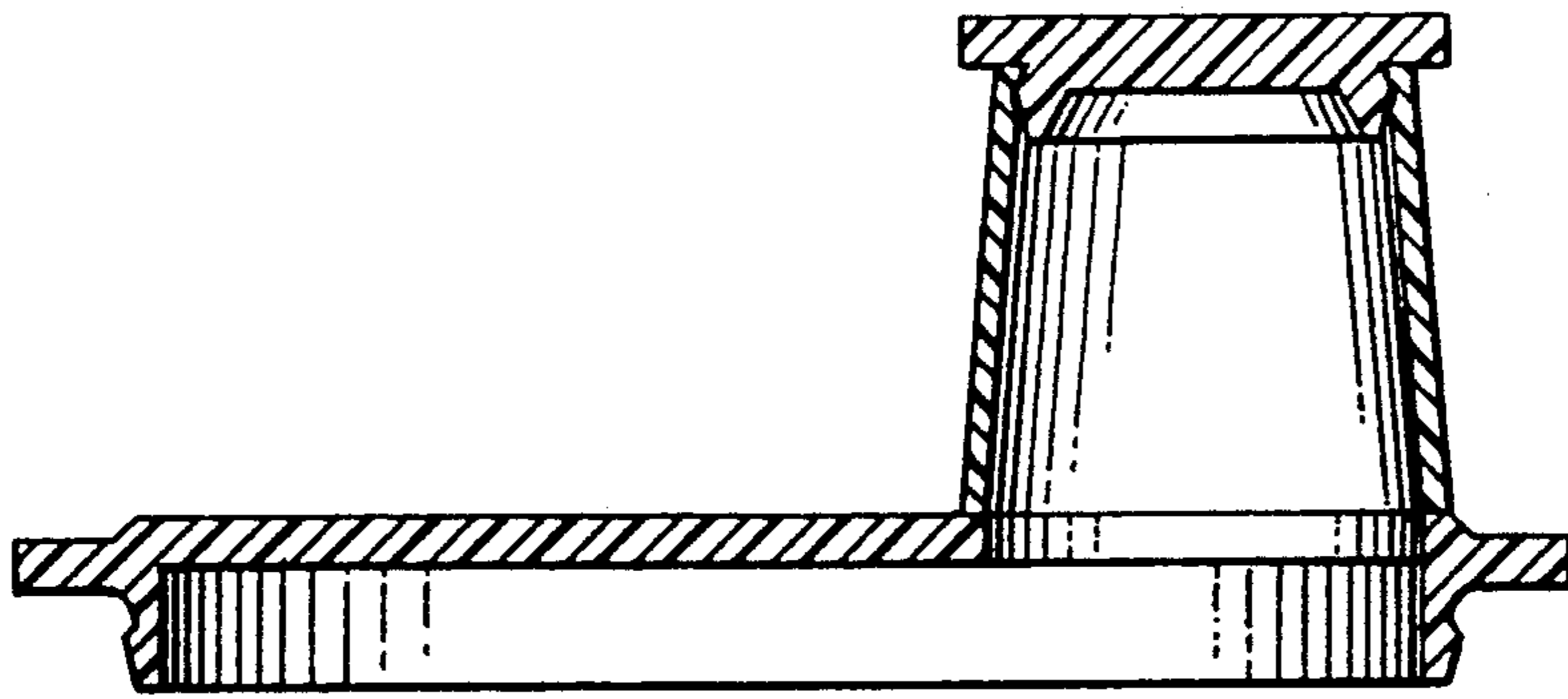
*FIG. 4*



*FIG. 5*



*FIG. 6*



*FIG. 7*