



US00D329978S

United States Patent [19]

[11] Patent Number: **Des. 329,978**

Ryan

[45] Date of Patent: **** Oct. 6, 1992**

[54] **COMBINED STORAGE AND DISPENSING CONTAINER**

[75] Inventor: **Richard J. Ryan, Marietta, Ga.**

[73] Assignee: **United Plastic Films, Inc., Atlanta, Ga.**

[**] Term: **14 Years**

[21] Appl. No.: **674,037**

[22] Filed: **Mar. 25, 1991**

[52] U.S. Cl. **D9/415**

[58] Field of Search **D9/415, 418, 424, 425, D9/423, 420, 341; 206/461-471, 806, 824, 45.34; 220/4.21, 4.22, 4.23, 4.24, 4.25, 602; 229/2.5 R**

[56] **References Cited**

U.S. PATENT DOCUMENTS

- D. 155,271 9/1949 Collard et al. .
- D. 276,590 12/1984 Lobel D9/341
- 1,332,386 3/1920 Dwyer .
- 2,276,414 3/1942 Morehouse et al. .
- 2,624,451 1/1953 Ewing 220/4.22 X
- 2,798,784 7/1957 Marshall 220/4.22 X
- 2,920,682 1/1960 Lindberg 220/4.25 X
- 3,128,025 4/1964 Buttery et al. .
- 3,786,982 1/1974 Rakes et al. .
- 3,893,609 7/1975 Jamois et al. .
- 4,034,926 7/1977 Wegner .
- 4,139,093 2/1979 Holmes 220/4.23 X

- 4,191,307 3/1980 LeClaire, Jr. et al. .
- 4,384,664 3/1983 Roos .
- 4,541,528 9/1985 Holmes 220/4.23 X
- 4,576,330 3/1986 Schepp .
- 4,637,514 1/1987 Kildea et al. .
- 4,850,486 7/1989 Neibaur .

FOREIGN PATENT DOCUMENTS

- 694779 10/1957 United Kingdom 220/4.22

OTHER PUBLICATIONS

Container for Dustbin Liners, Mark & Spencer, London, England in Aug. 1990, manufactured by T. Gould Ltd., Lancashire, England.

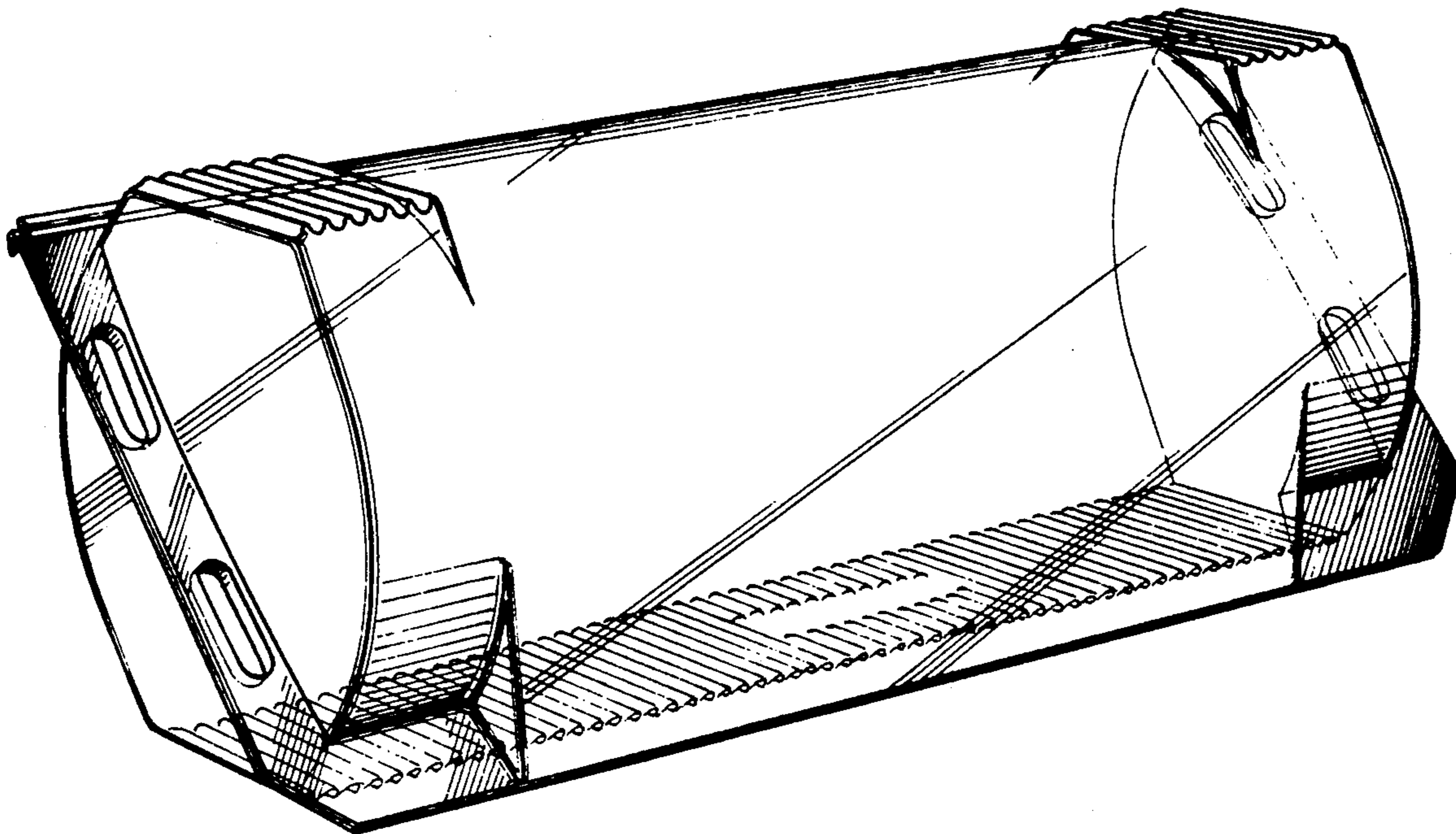
Primary Examiner—Bernard Ansher
Assistant Examiner—Prabhakar Deshmukh
Attorney, Agent, or Firm—Kilpatrick & Cody

[57] **CLAIM**

The ornamental design for a combined storage and dispensing container, as shown and described.

DESCRIPTION

FIG. 1 is a perspective view of a combined storage and dispensing container showing my new design; FIG. 2 is a front elevational view thereof; FIG. 3 is a top plan view thereof; FIG. 4 is a rear elevational view thereof; FIG. 5 is a bottom plan view thereof; FIG. 6 is a left side elevational view thereof; and, FIG. 7 is a right side elevational view thereof.



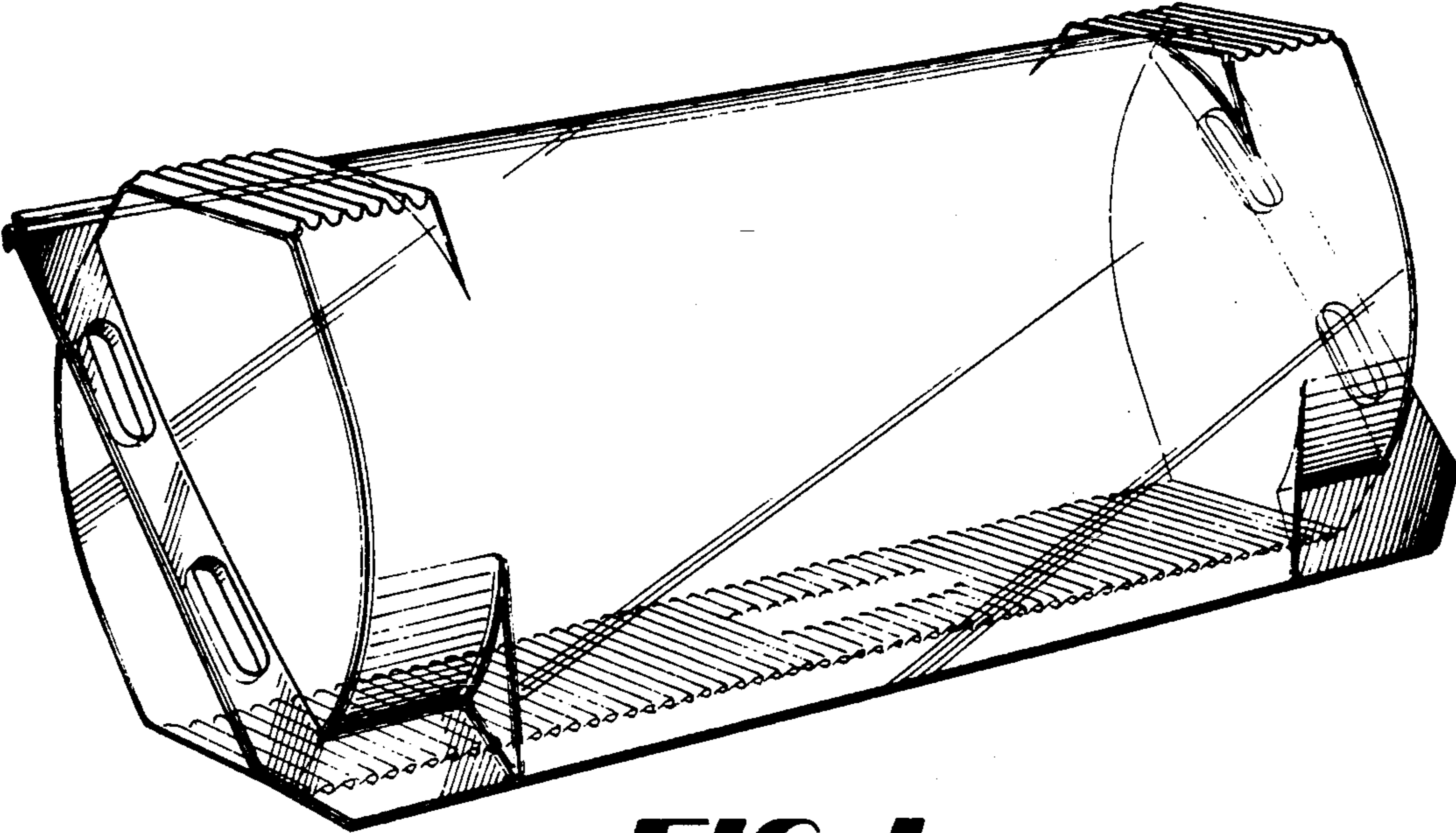


FIG 1

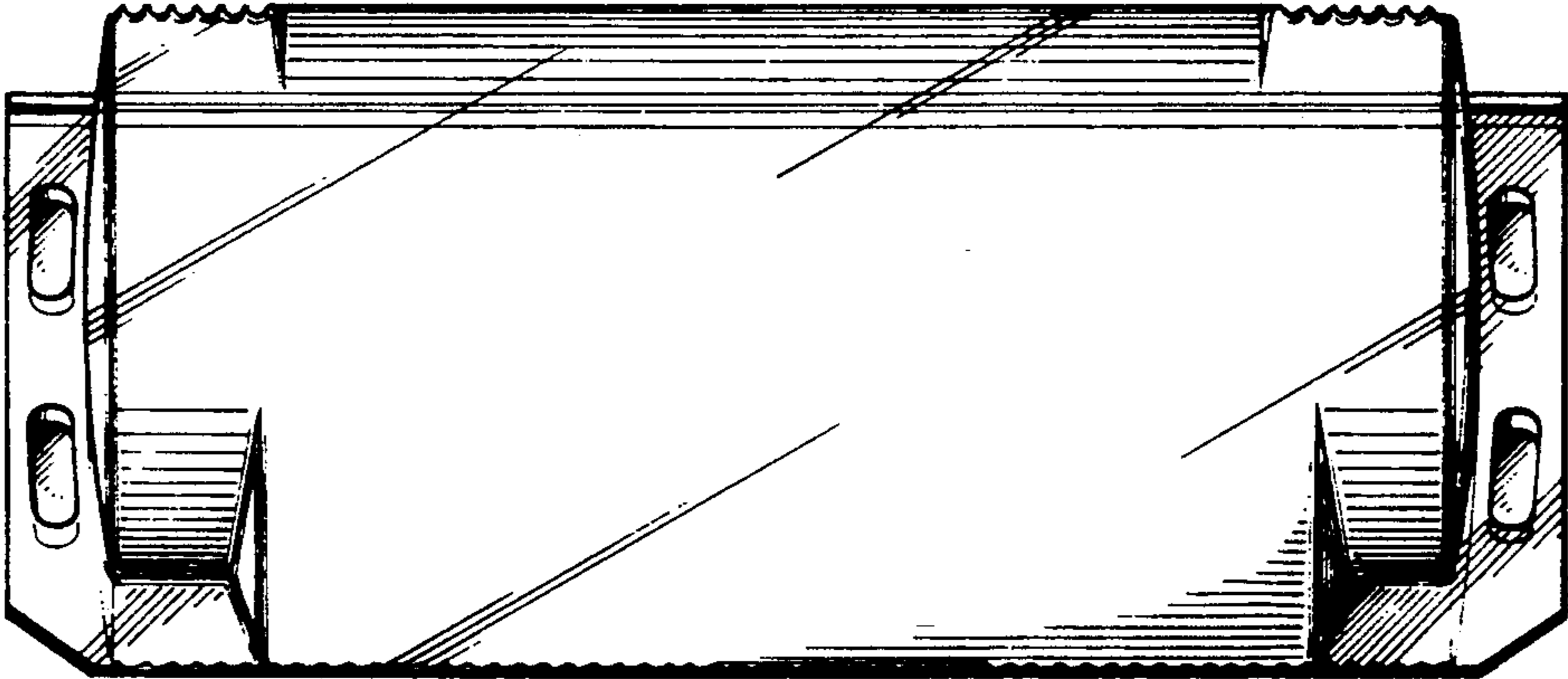


FIG 2

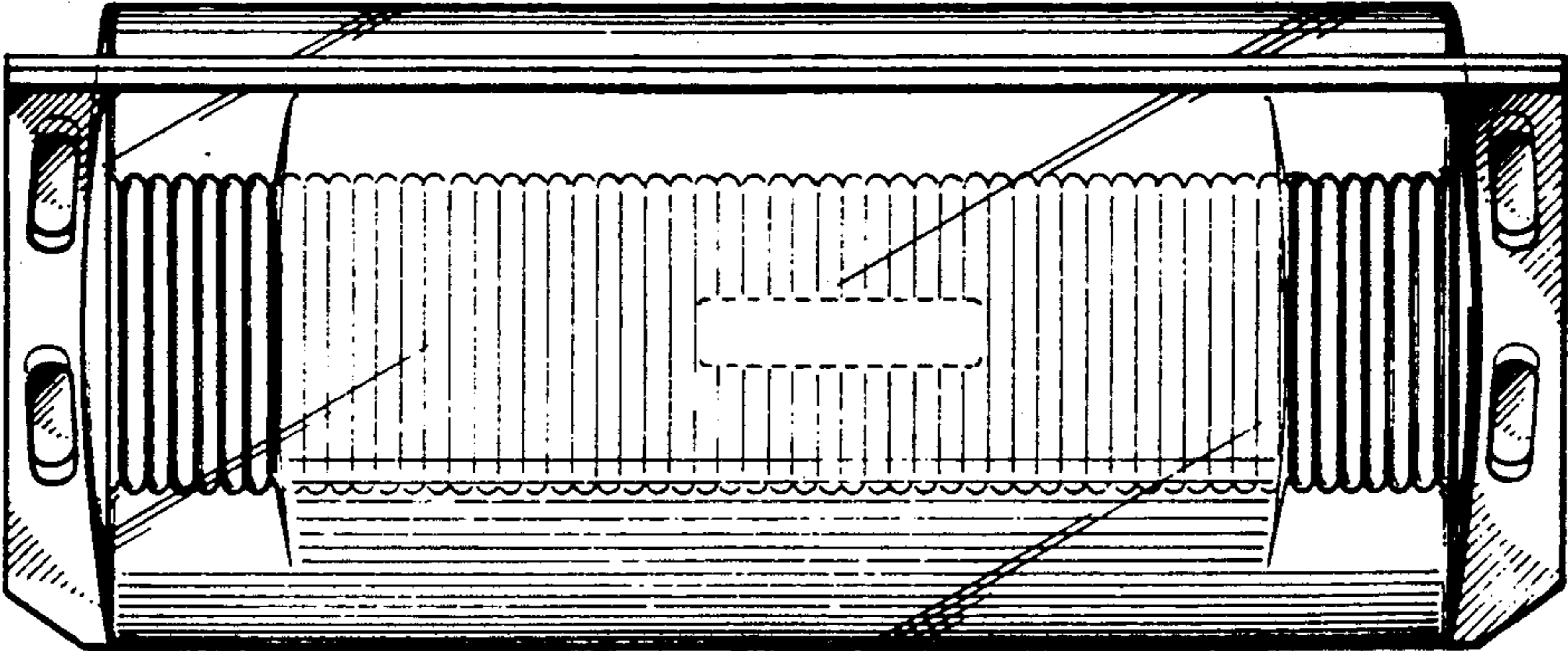


FIG 3

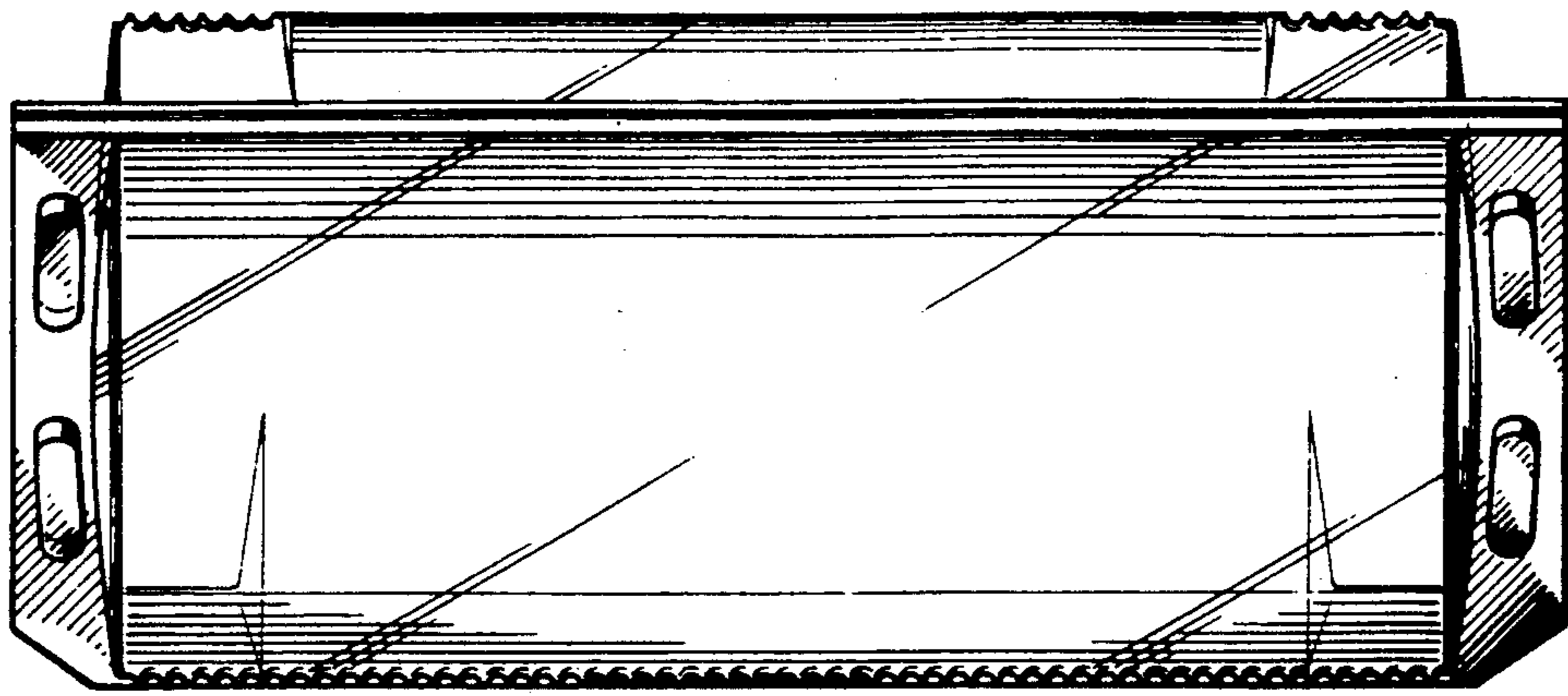


FIG 4

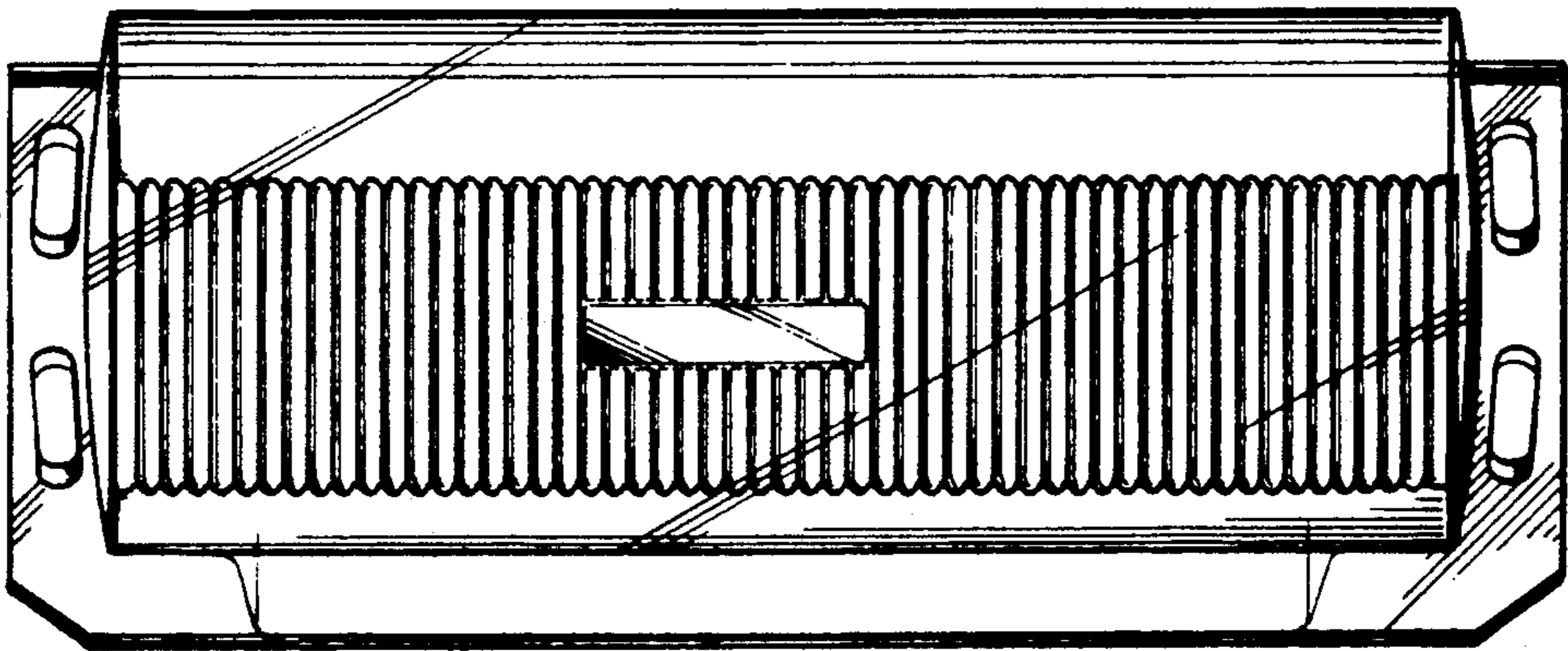


FIG 5

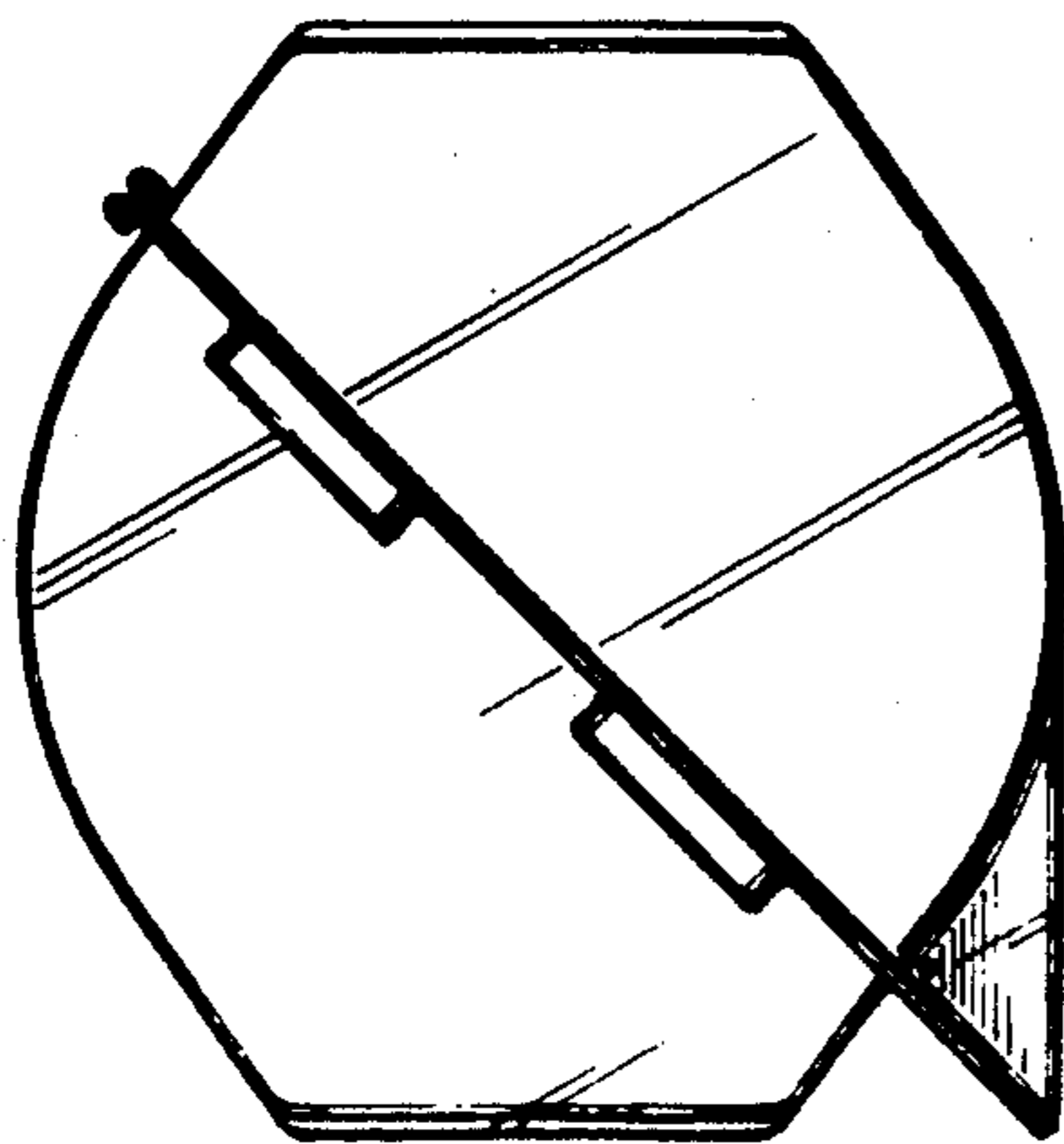


FIG 6

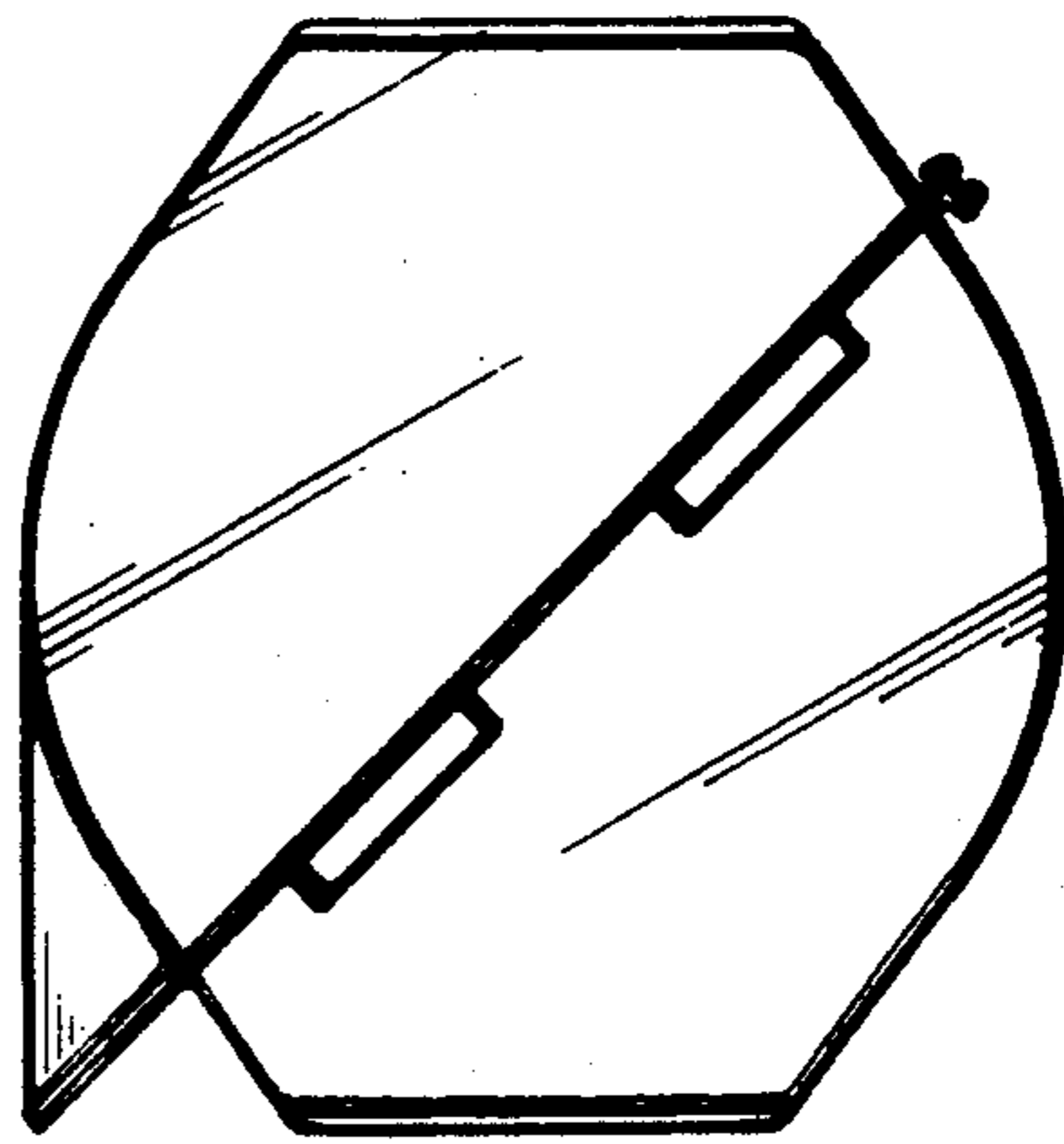


FIG 7