



US00D329975S

United States Patent [19]

[11] Patent Number: Des. 329,975

Klawitter

[45] Date of Patent: ** Oct. 6, 1992

[54] COMBINED STRING REEL AND LIGHT BULB STORAGE COMPARTMENT

FOREIGN PATENT DOCUMENTS

[75] Inventor: Ronald R. Klawitter, Berger, Mo.

738942 10/1932 France 191/12.4

[73] Assignee: Handi-Pac, Inc., Hermann, Mo.

Primary Examiner—Wallace R. Burke
Assistant Examiner—H. Baynham
Attorney, Agent, or Firm—Polster, Lieder, Woodruff & Lucchesi

[**] Term: 14 Years

[57] CLAIM

[21] Appl. No.: 612,245

The ornamental design for a combined string reel and light bulb storage compartment, as shown and described.

[22] Filed: Nov. 13, 1990

[52] U.S. Cl. D8/358; D9/337

[58] Field of Search D8/358-359,
D8/356; D26/34; 191/12.4; 242/68, 68.6, 71.8,
76, 323; D9/436, 337; 220/277

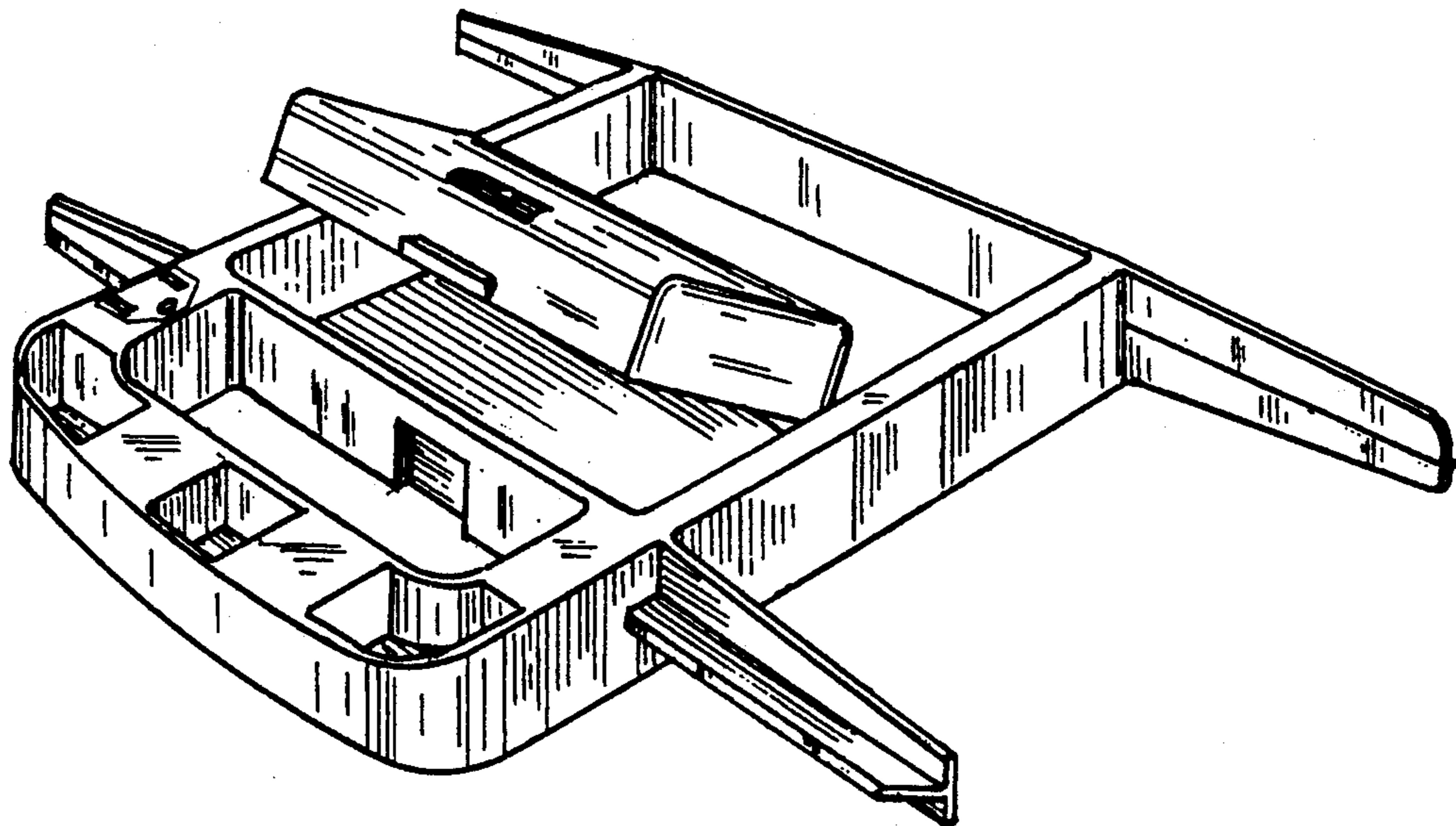
DESCRIPTION

[56] References Cited

U.S. PATENT DOCUMENTS

D. 251,356 3/1979 Bogaert D8/358
D. 260,479 9/1981 Carey D8/358 X
D. 286,134 10/1986 Schwartz D8/358 X

FIG. 1 is a perspective view of a combined string reel and light bulb storage compartment showing my new design with the bulb storage lid opened;
FIG. 2 is a top plan view thereof;
FIG. 3 is a rear elevational view thereof;
FIG. 4 is a bottom plan view thereof;
FIG. 5 is a front elevational view thereof; and,
FIG. 6 is a side elevational view thereof with the opposite side being a mirror image thereof.



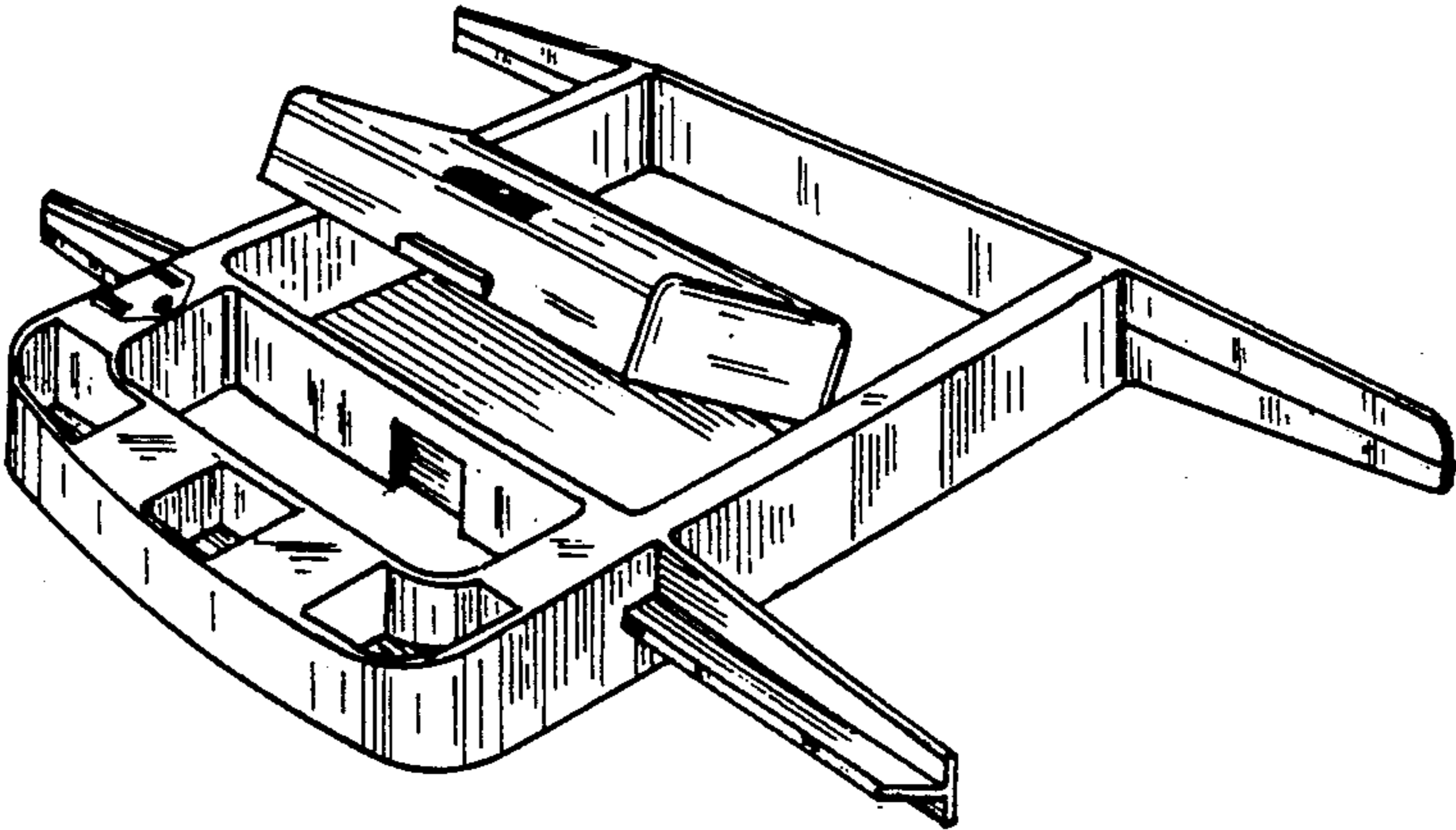


FIG. 1.

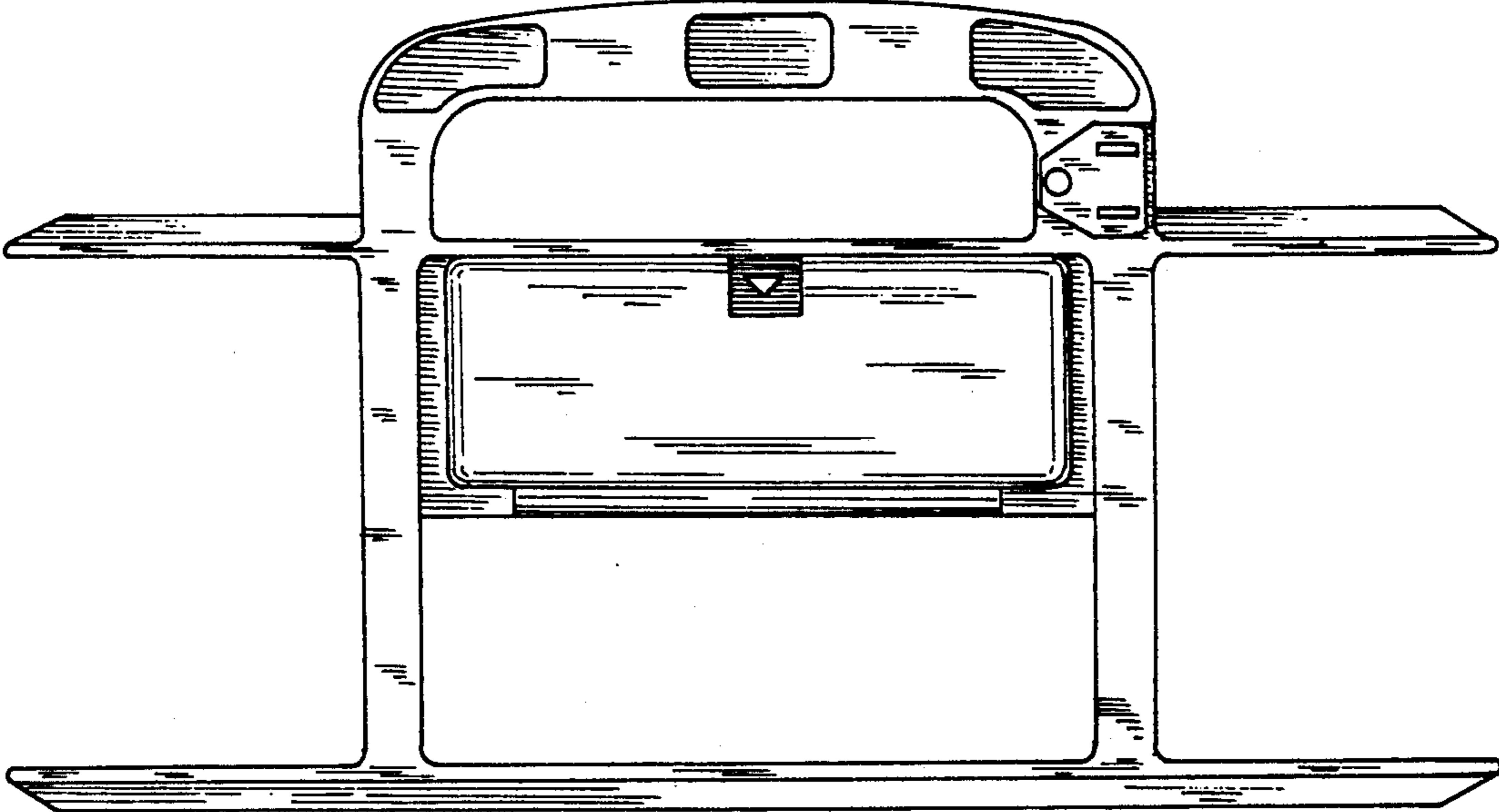


FIG. 2.

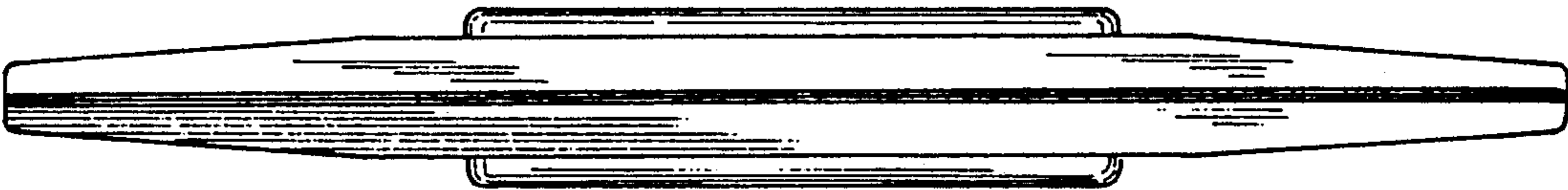


FIG. 3.

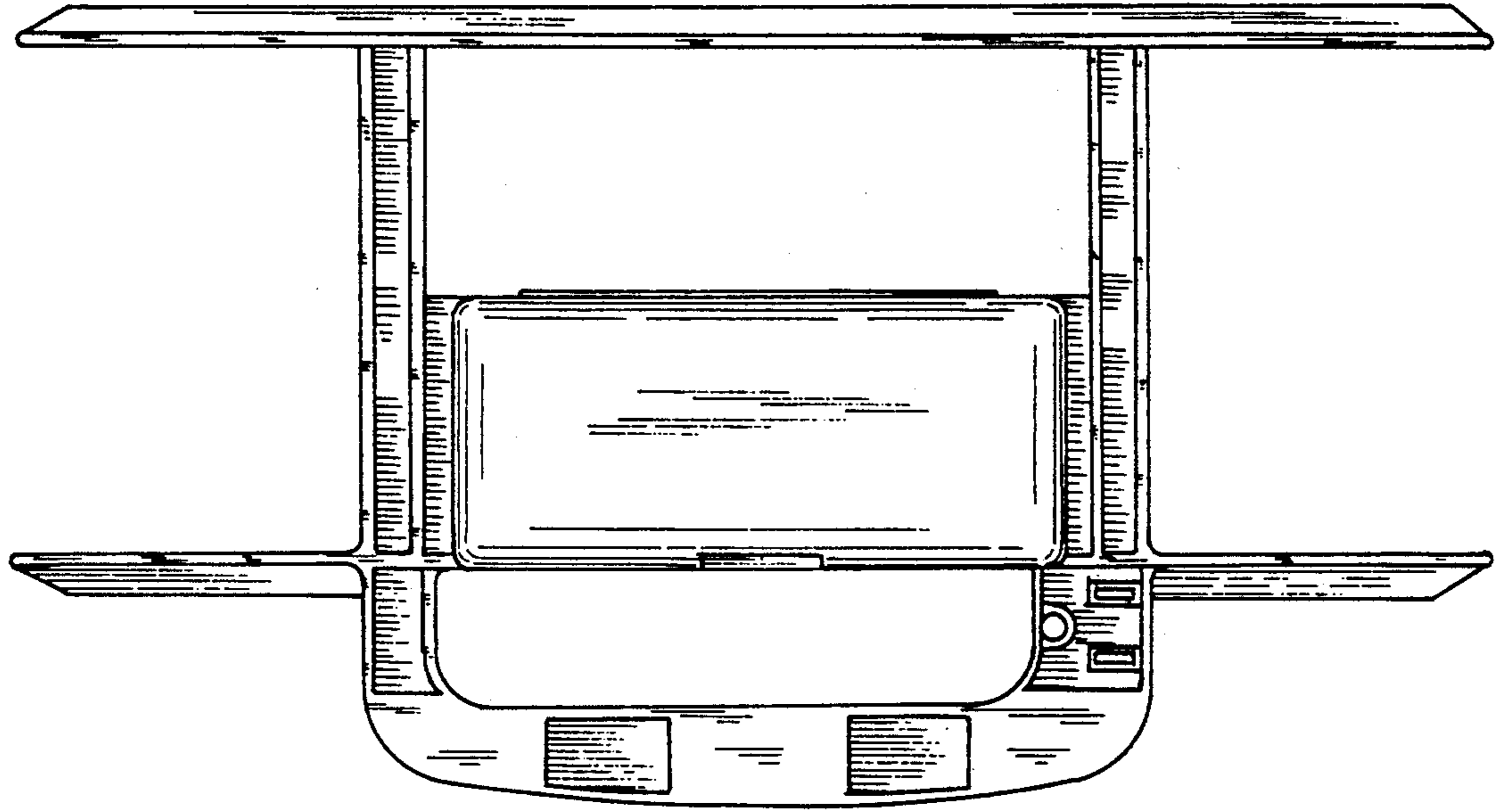


FIG. 4.

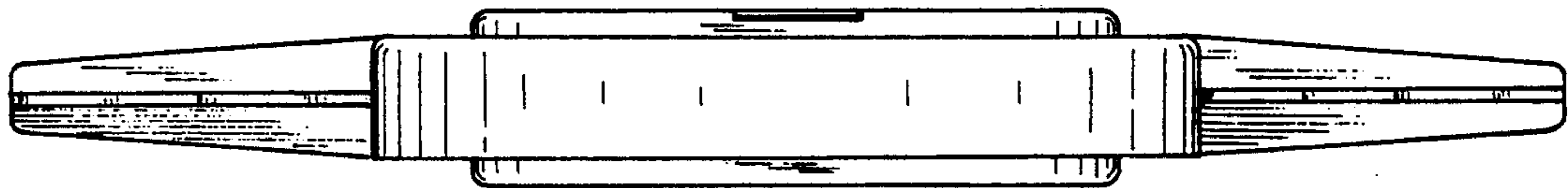


FIG. 5.

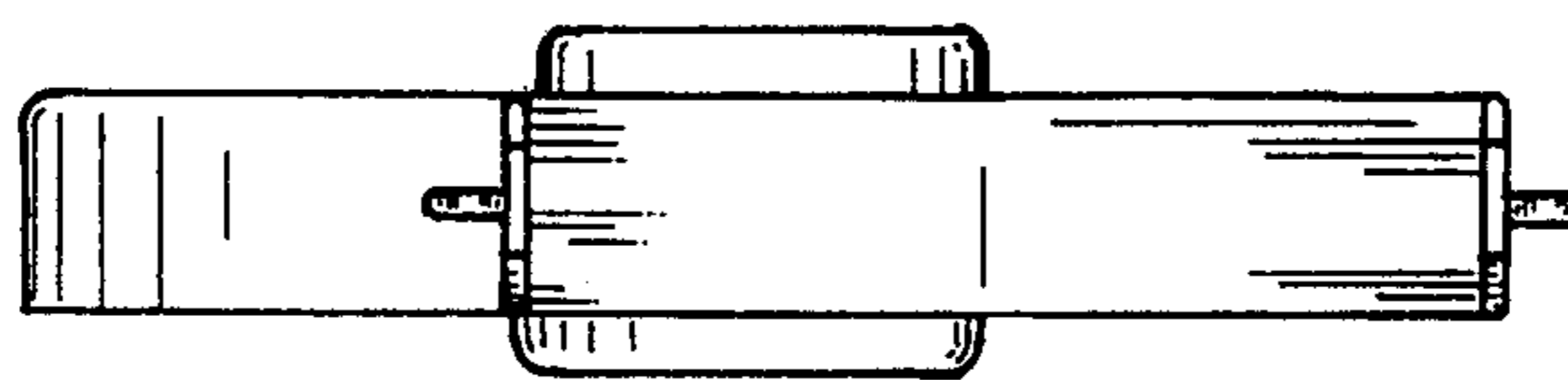


FIG. 6.