



US00D329970S

# United States Patent [19]

[11] Patent Number: **Des. 329,970**

Lee

[45] Date of Patent: **\*\* Oct. 6, 1992**

[54] **RATCHET WRENCH HANDLE**

[76] Inventor: **Clark J. Lee**, 429-6 Chung Cheng Rd, Fu Liao Li, Tsao Tun Town, Nantou Hsien, Taiwan

[\*\*] Term: **14 Years**

[21] Appl. No.: **517,609**

[22] Filed: **May 2, 1990**

[52] U.S. Cl. .... **D8/25**

[58] Field of Search ..... **D8/14, 21, 25, 107; 81/60, 58.1, 58.3, 58.4, 63.2, 61, 62, 177.85**

[56] **References Cited**

**U.S. PATENT DOCUMENTS**

D. 199,149	9/1964	Greenlee	.....	D8/25
D. 255,978	7/1980	Albertson	.....	D8/25
D. 270,227	8/1983	Roth et al.	.....	D8/25
D. 275,726	10/1984	Cleminshaw	.....	D8/25

D. 296,514	7/1988	Bygren	.....	D8/25
D. 300,296	3/1989	Krapowicz et al.	.....	D8/25
460,474	9/1891	Knapp et al.	.....	81/63

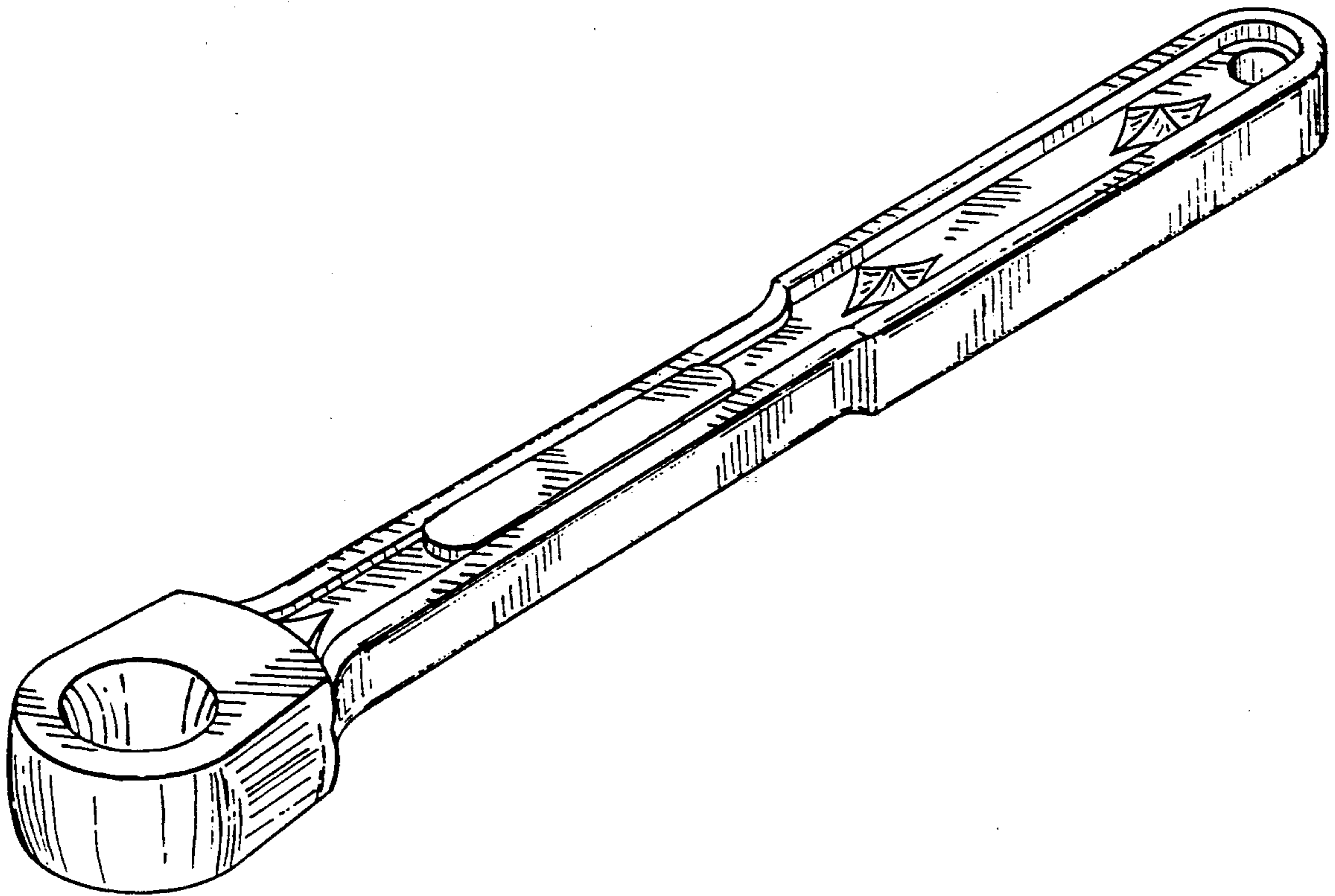
*Primary Examiner*—Bernard Ansher  
*Assistant Examiner*—Philip Hyder  
*Attorney, Agent, or Firm*—Bacon & Thomas

[57] **CLAIM**

The ornamental design for a ratchet wrench handle, as shown.

**DESCRIPTION**

FIG. 1 is a top plan view of a ratchet wrench handle showing my new design;  
FIG. 2 is a front elevational view thereof, the rear view being a mirror image;  
FIG. 3 is a left side elevational view thereof;  
FIG. 4 is a right side elevational view thereof; and,  
FIG. 5 is a perspective view thereof.



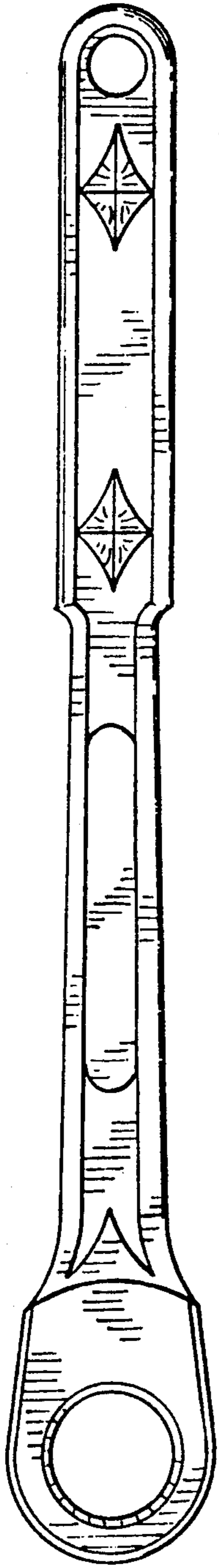


FIG. 1

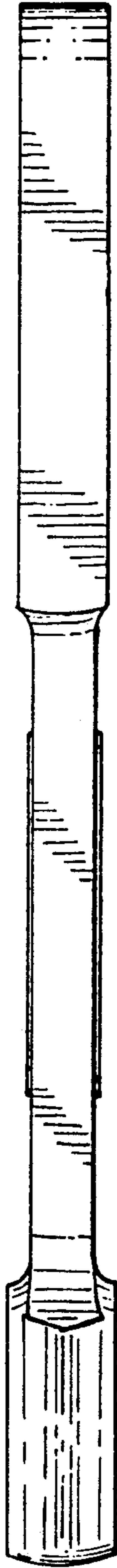


FIG. 2



FIG. 3



FIG. 4

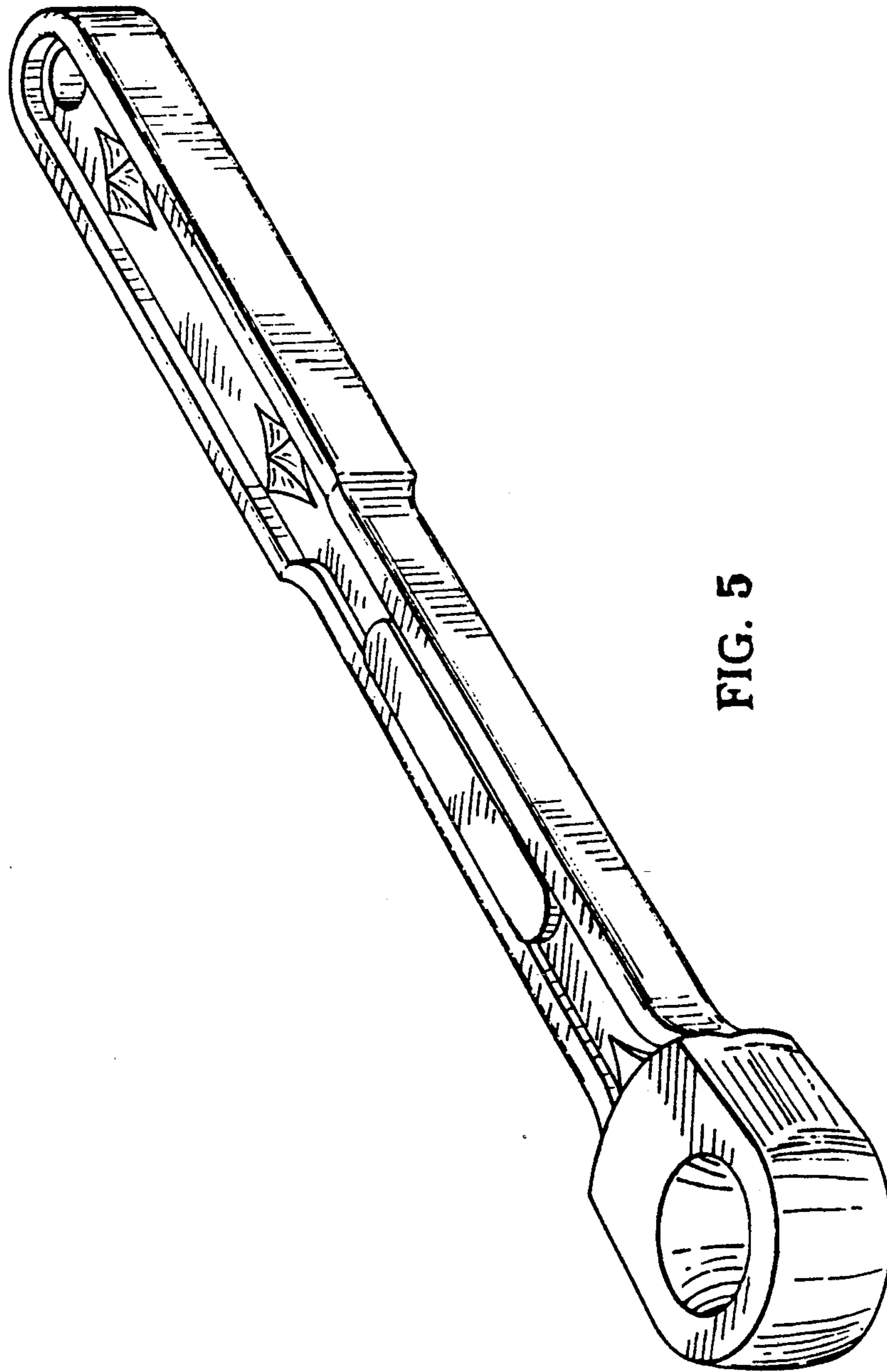


FIG. 5