



US00D329968S

United States Patent [19]

[11] Patent Number: **Des. 329,968**

Wiesler, deceased

[45] Date of Patent: **** Oct. 6, 1992**

[54] **BATTERY CARRIER**

[56] **References Cited**

U.S. PATENT DOCUMENTS

[75] Inventor: **Rudolph Wiesler, deceased, late of Costa Mesa, Calif., by Dorothy Wiesler, sole beneficiary**

D. 302,234	7/1989	McNamee et al.	D3/30.1 X
1,938,158	12/1933	Steele	294/92
2,847,243	8/1958	Hare	294/92
2,978,271	4/1961	Grypma	294/92
3,248,144	4/1966	Hinds	294/16

[73] Assignee: **Edward E. Roberts, Dana Point, Calif. ; a part interest**

Primary Examiner—Wallace R. Burke
Assistant Examiner—H. Baynham
Attorney, Agent, or Firm—Edward E. Roberts

[**] Term: **14 Years**

[57] CLAIM

The ornamental design for a battery carrier, as shown and described.

[21] Appl. No.: **645,005**

DESCRIPTION

[22] Filed: **Jan. 22, 1991**

FIG. 1 is a front elevational perspective view of a battery carrier showing my new design;
FIG. 2 is a front elevational view thereof; and,
FIG. 3 is a side elevational view thereof with the opposite side being a mirror image thereof.

[52] U.S. Cl. **D8/14**

[58] Field of Search D34/28; 294/92, 2, 15, 294/16; D3/30.1; D8/71, 14

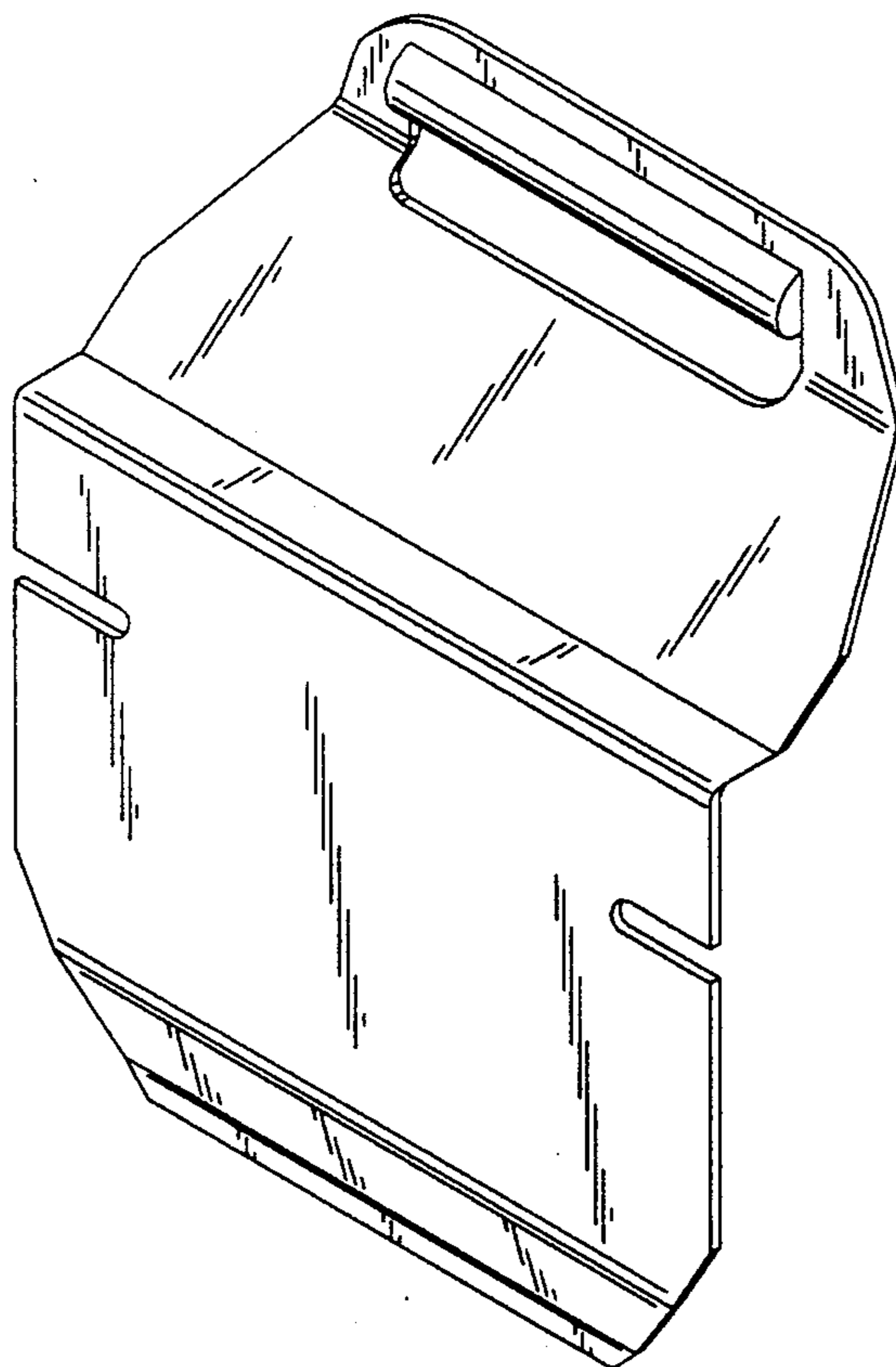


FIG. 1

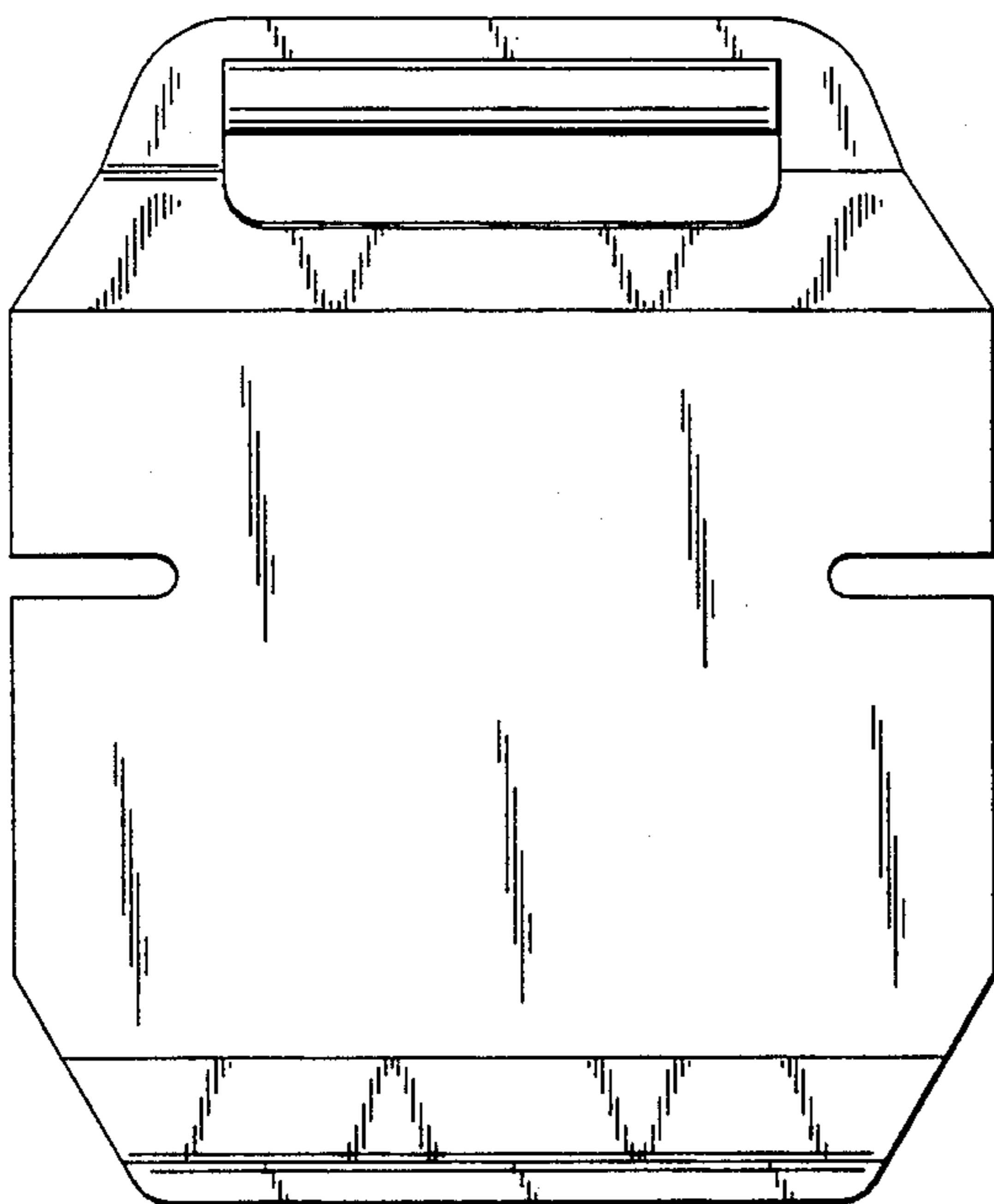
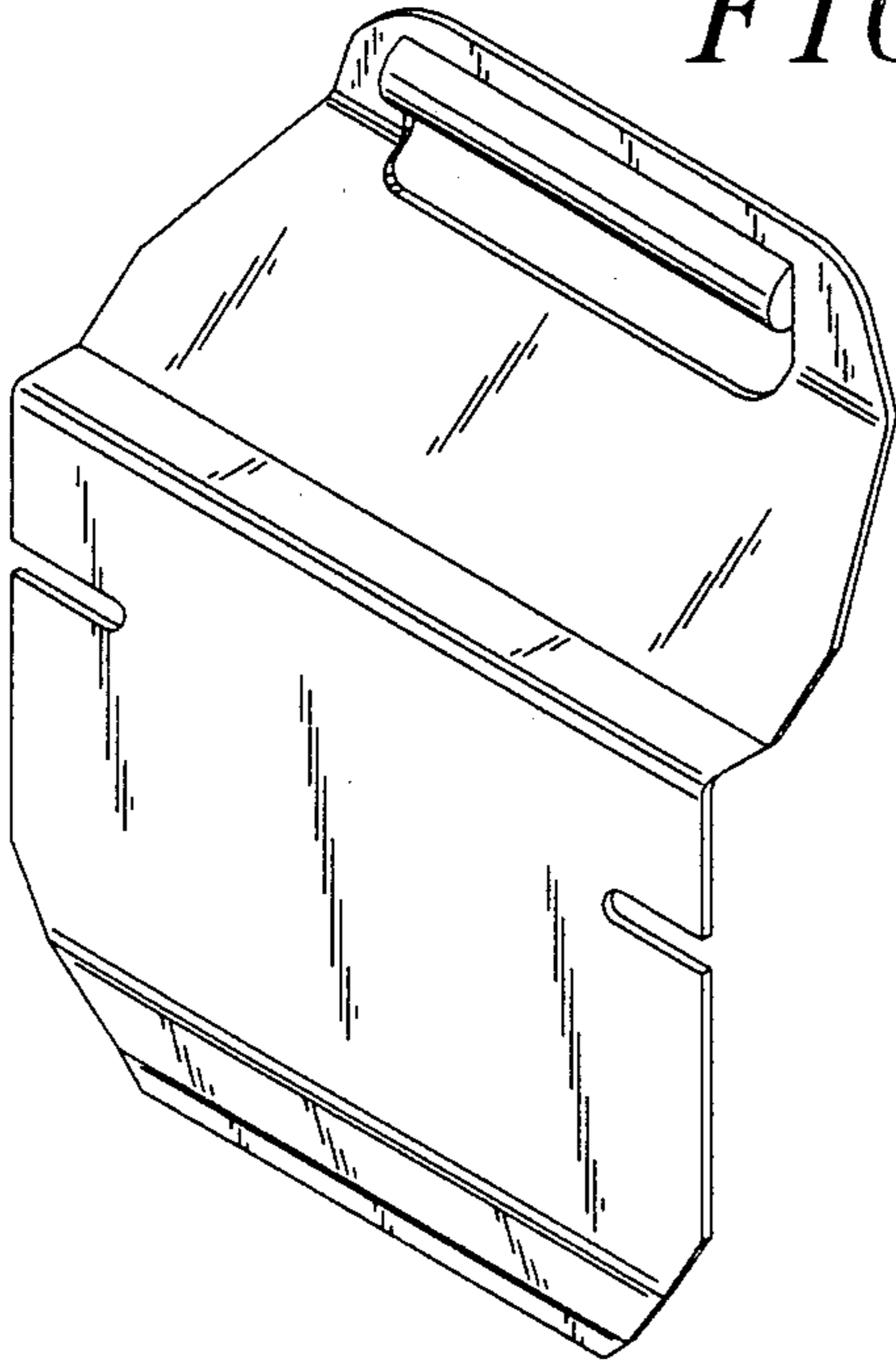


FIG. 2

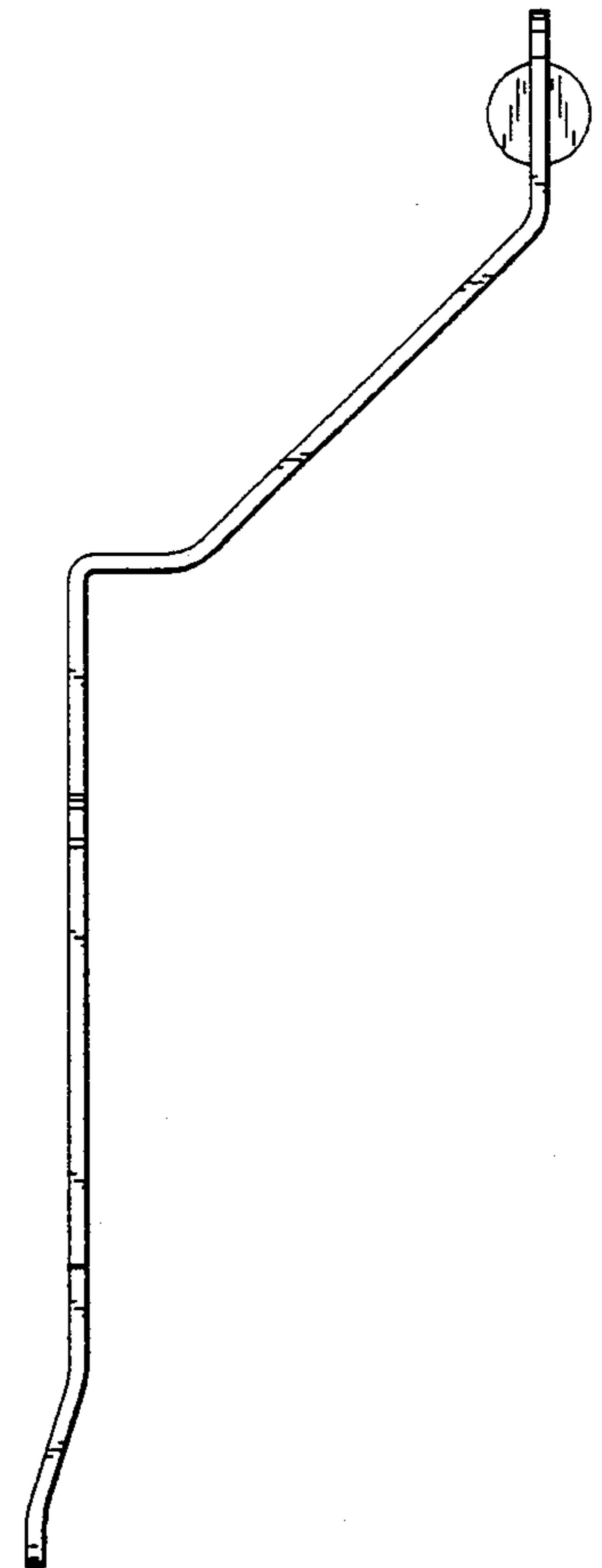


FIG. 3