



US00D329967S

United States Patent [19]
Kennedy

[11] **Patent Number: Des. 329,967**
[45] **Date of Patent: ** Oct. 6, 1992**

[54] **HOT DOG CUTTER APPARATUS**

[76] **Inventor: Thomas W. Kennedy, 575 Willow St., West Barnstable, Mass. 02668**

[**] **Term: 14 Years**

[21] **Appl. No.: 623,043**

[22] **Filed: Dec. 6, 1990**

Related U.S. Application Data

[63] **Continuation-in-part of Ser. No. 464,364, Jan. 12, 1990, Pat. No. 4,976,029.**

[52] **U.S. Cl. D7/693**

[58] **Field of Search D7/693, 673; 30/114, 30/279.2, 287, 363, 358; 99/430, 439, 441, 509**

[56] **References Cited**

U.S. PATENT DOCUMENTS

D. 170,912 11/1953 Collins et al. D7/673
2,243,137 5/1941 Vaughan 99/441 X

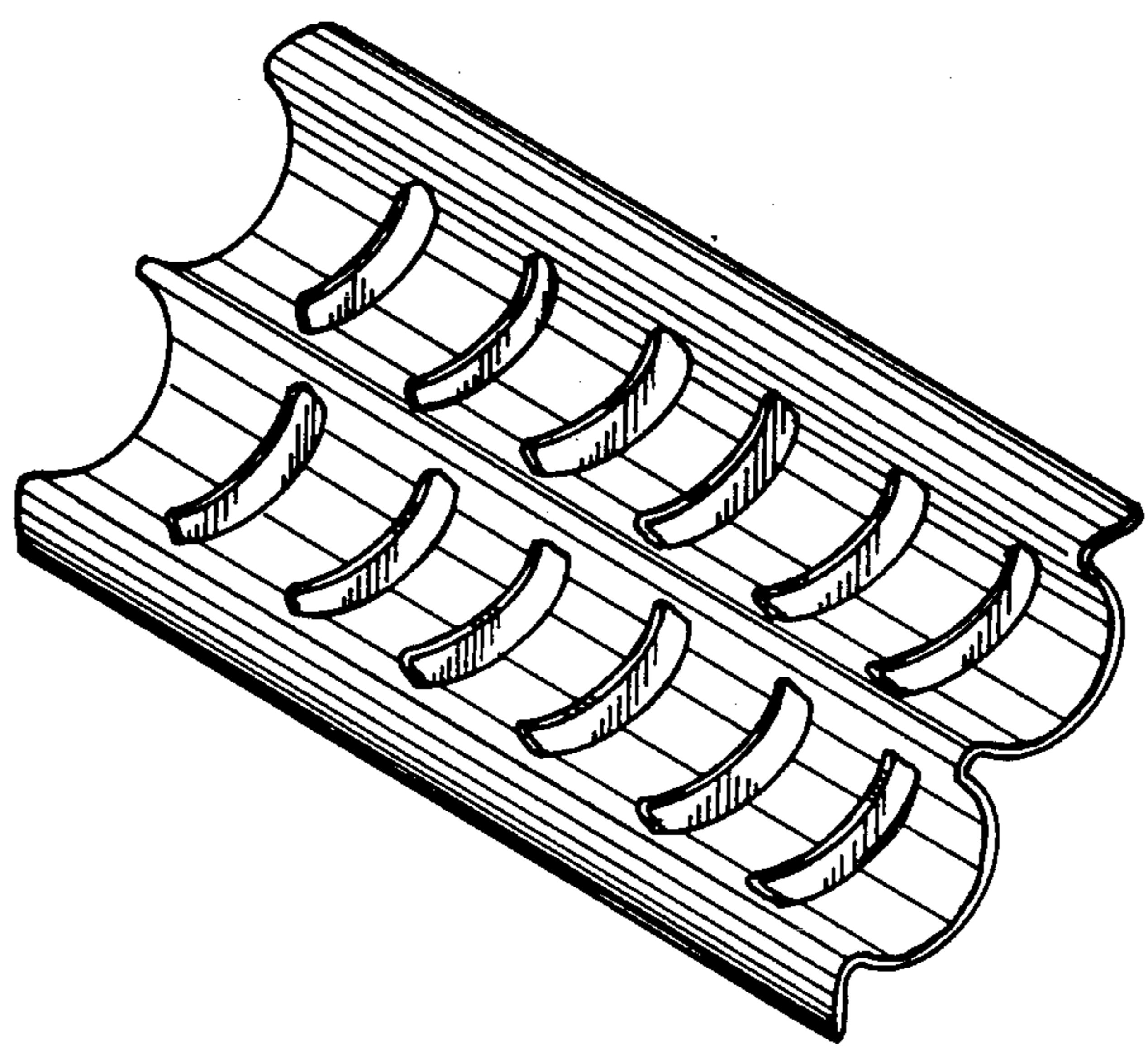
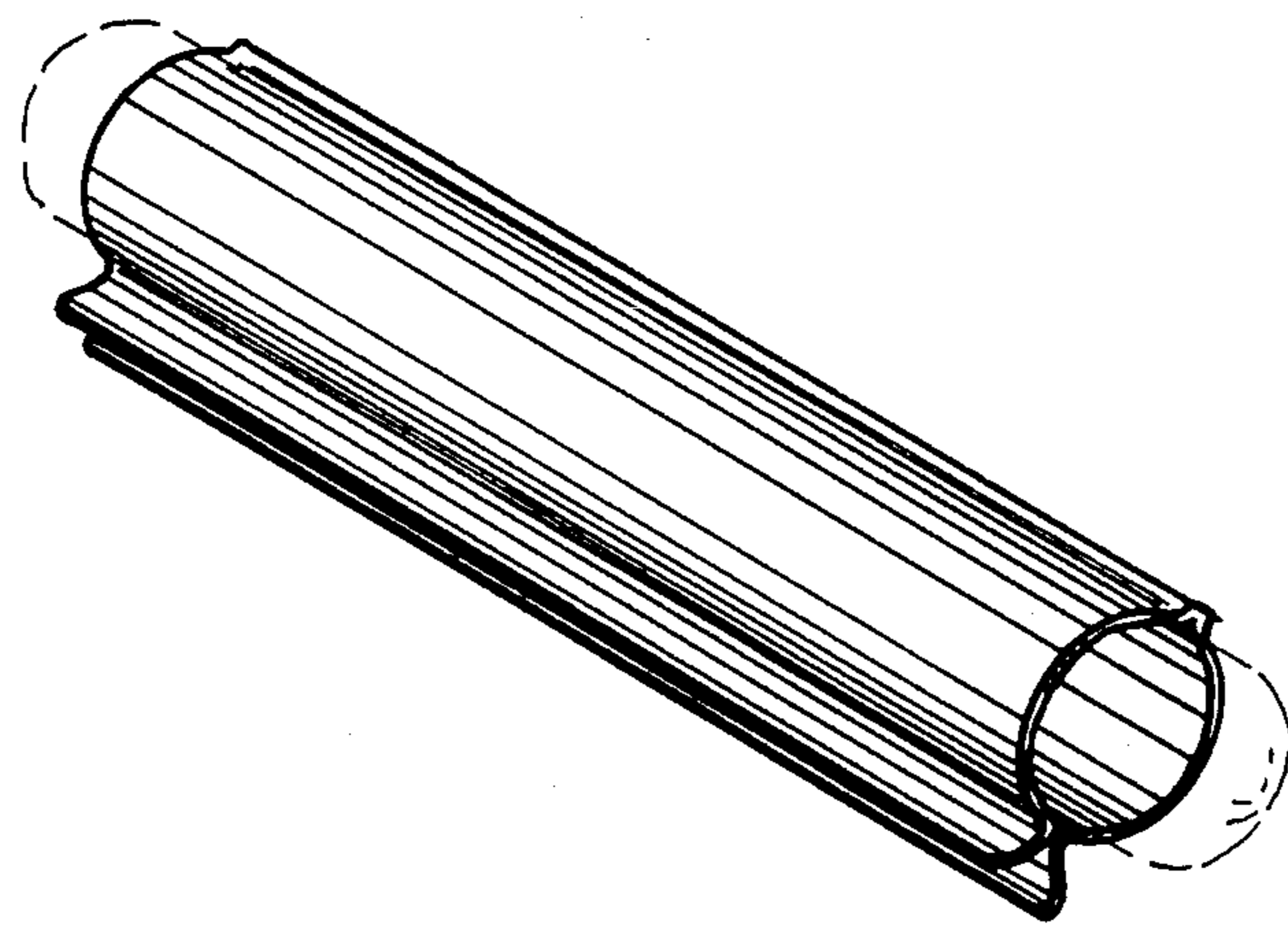
Primary Examiner—Terry A. Pfeffer
Attorney, Agent, or Firm—Richard P. Crowley

[57] **CLAIM**

The ornamental design for a hot dog cutter apparatus, as shown and described.

DESCRIPTION

FIG. 1 is a top perspective view of a hot dog cutter apparatus showing my new design, the hot dog is shown in broken lines for illustrative purposes only; FIG. 2 is a top perspective view thereof in an open position; FIG. 3 is a top plan view thereof; FIG. 4 is a front elevational view thereof; FIG. 5 is a rear elevational view thereof; FIG. 6 is a top plan view of FIG. 2; FIG. 7 is a bottom plan view of FIG. 2; FIG. 8 is a side elevational view thereof, the opposite side being identical; FIG. 9 is a side elevational view of FIG. 2, the opposite side being identical; and, FIG. 10 is a rear elevational view thereof.



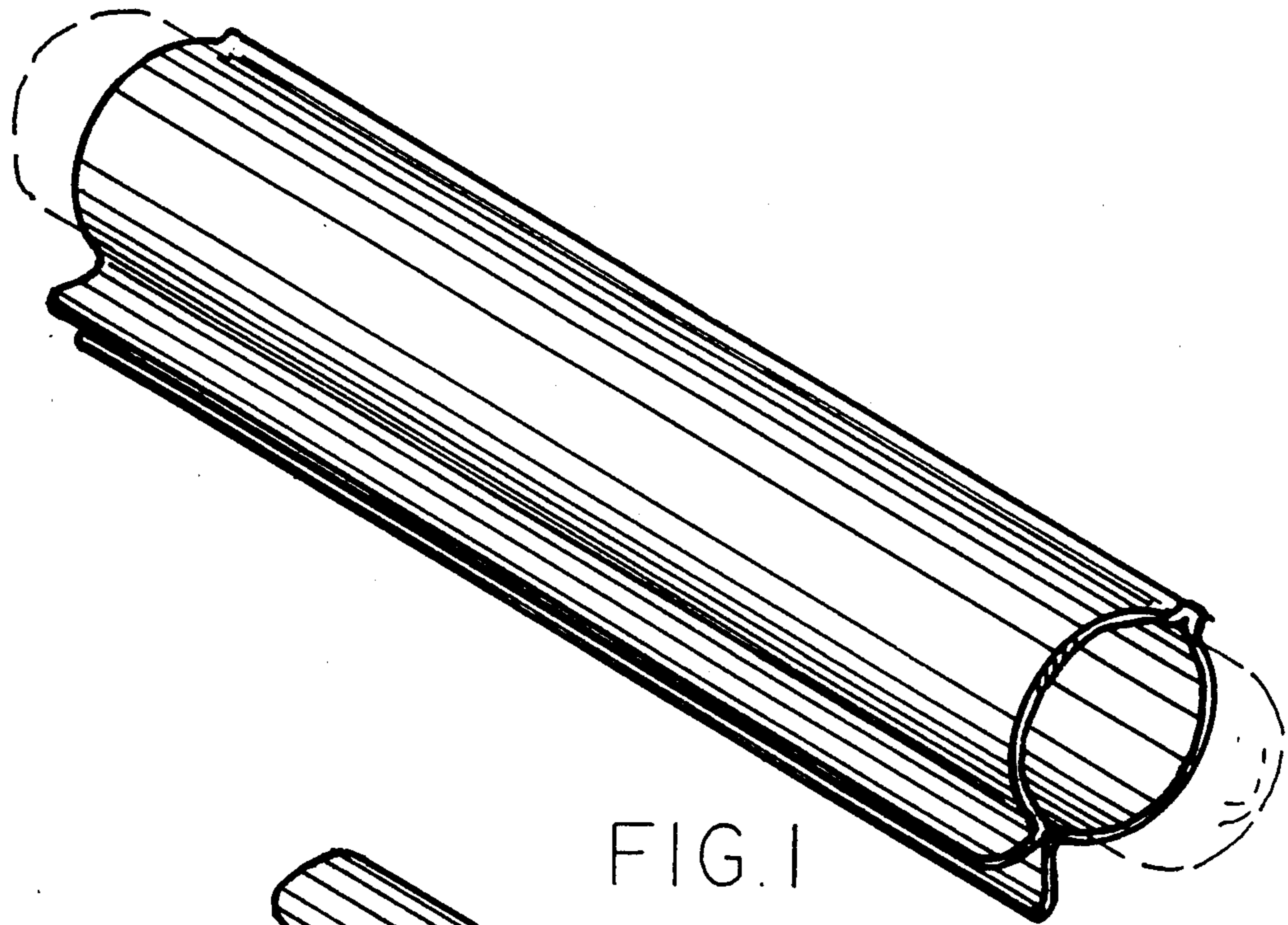


FIG. 1

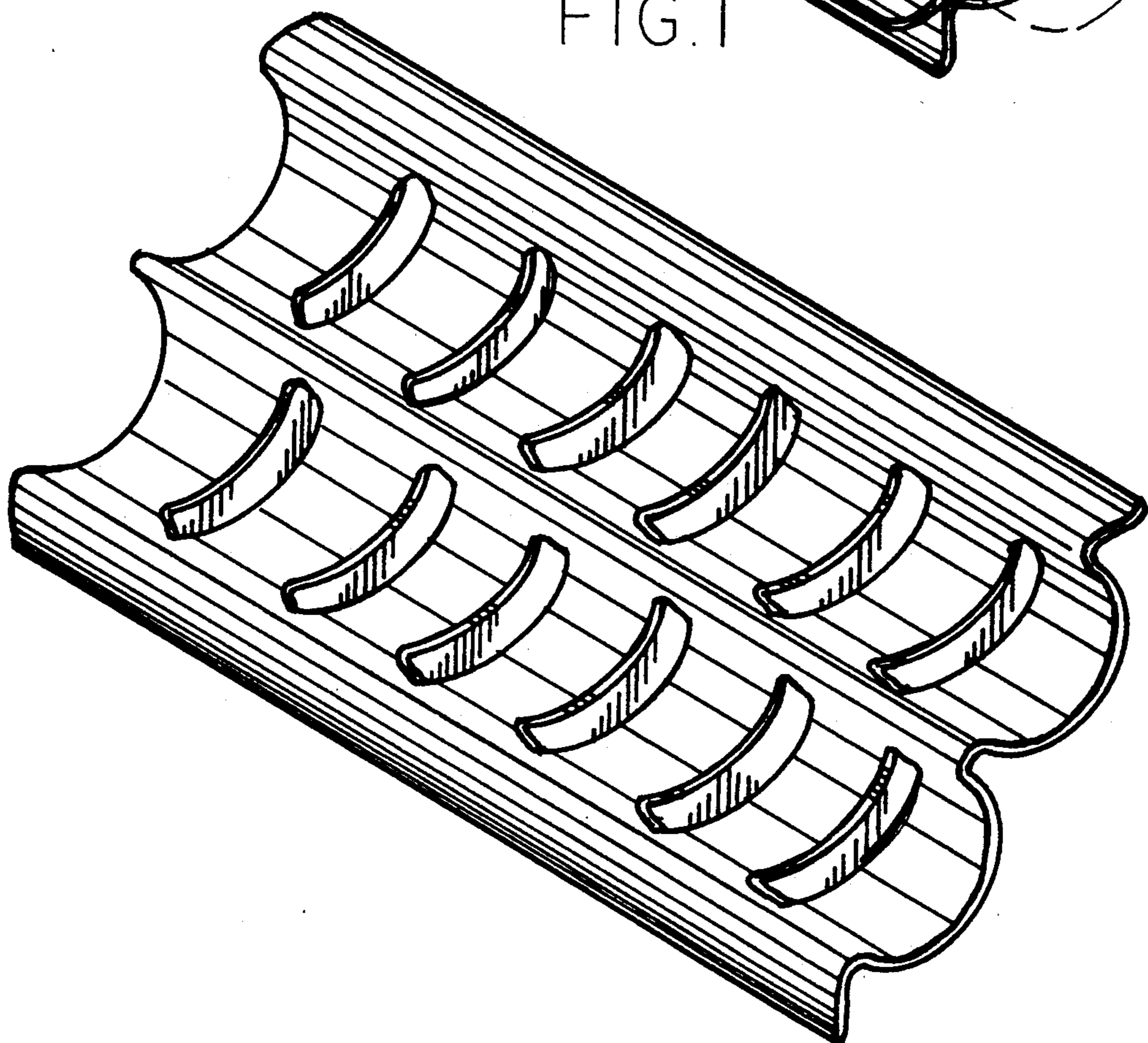


FIG. 2

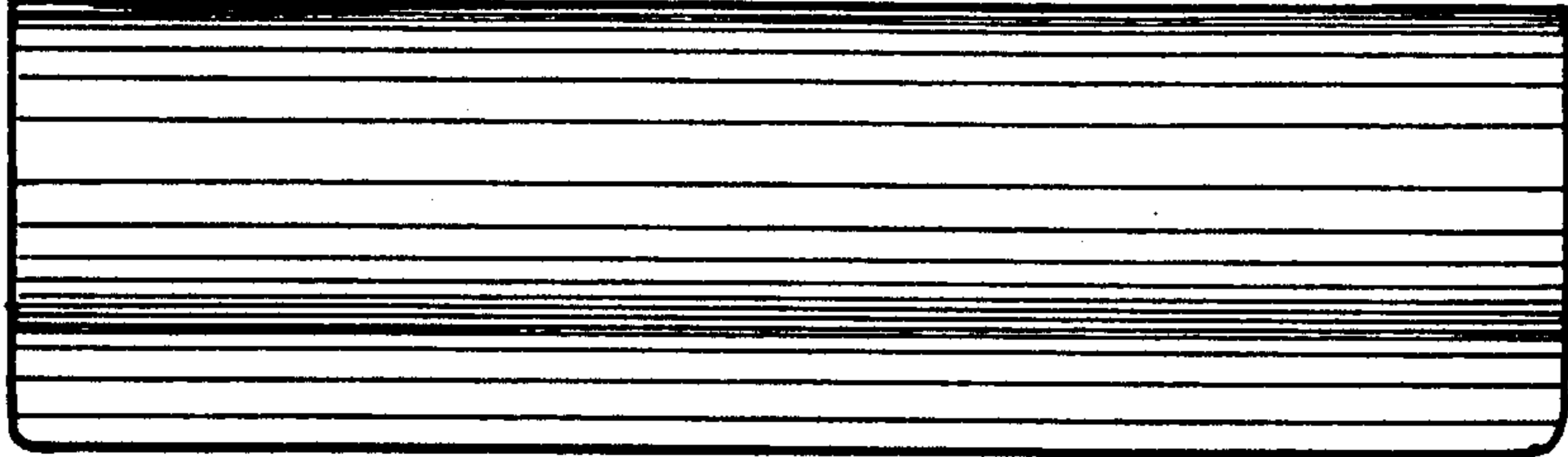


FIG. 3

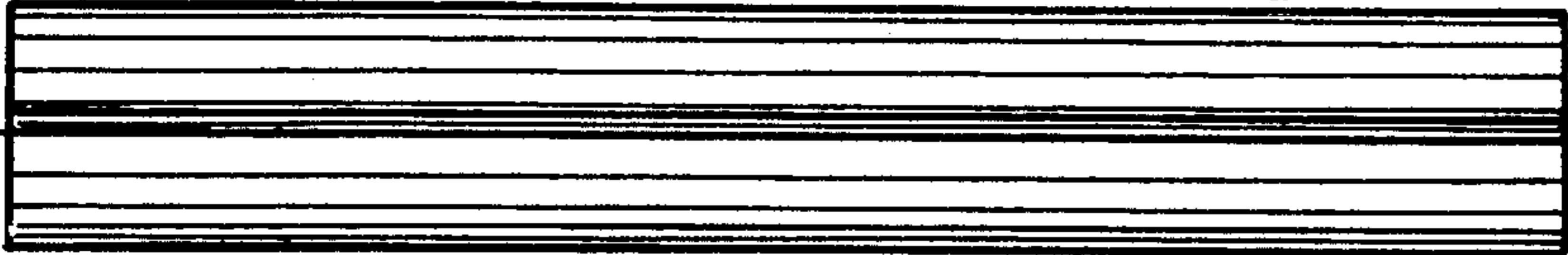


FIG. 4

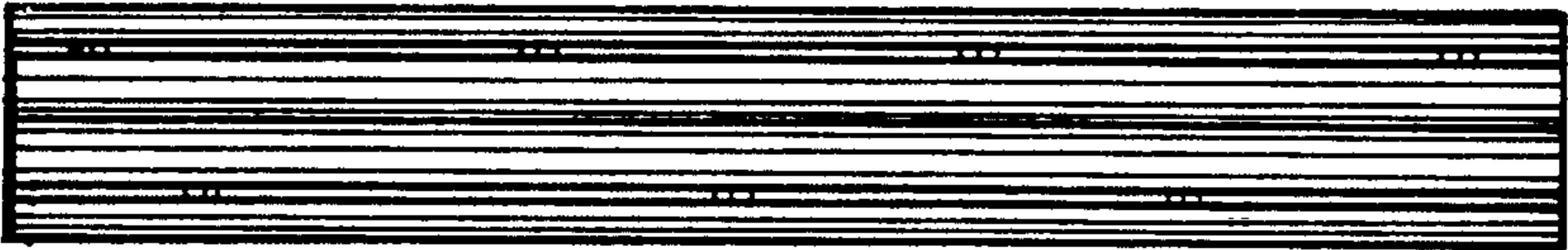


FIG. 5

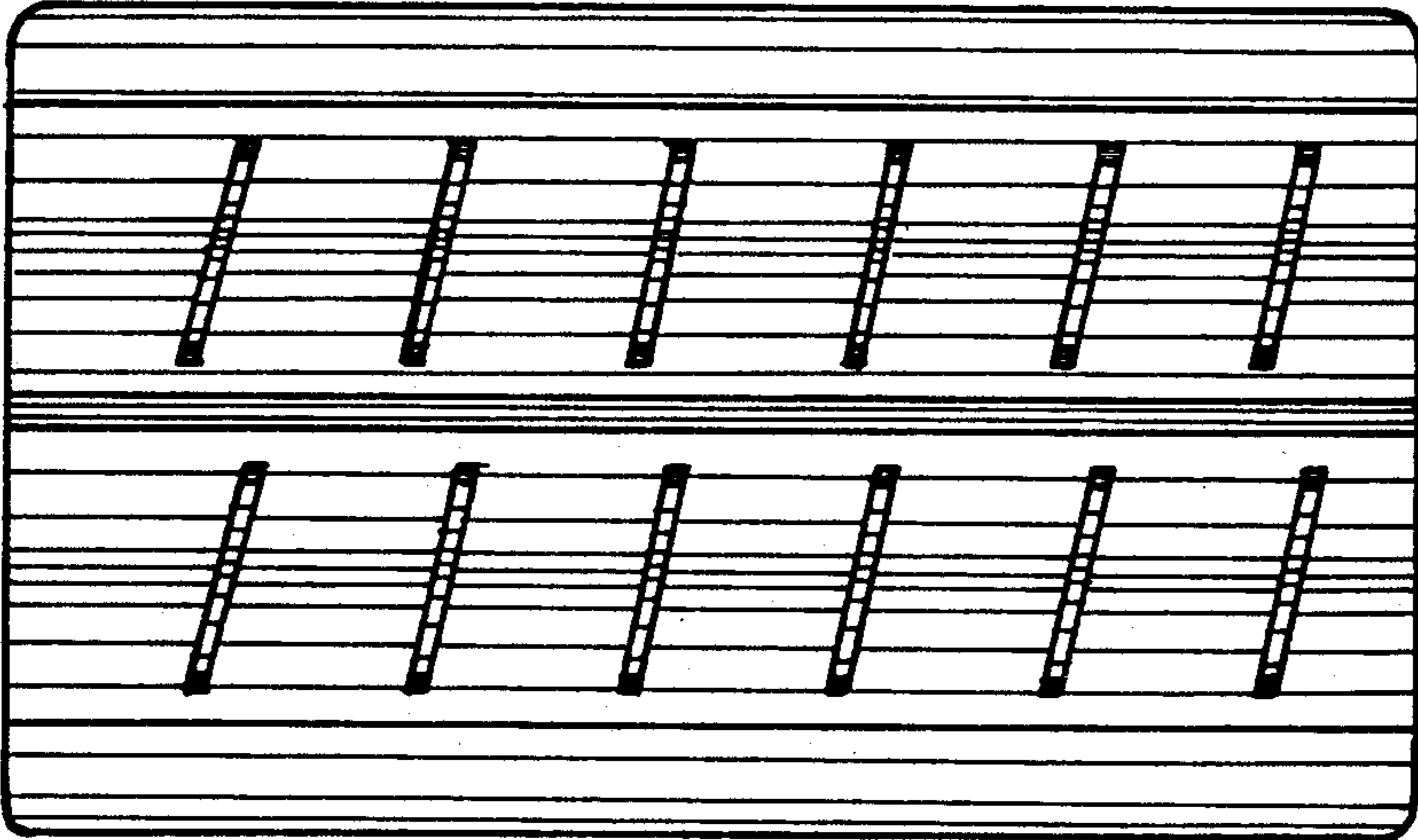


FIG. 6

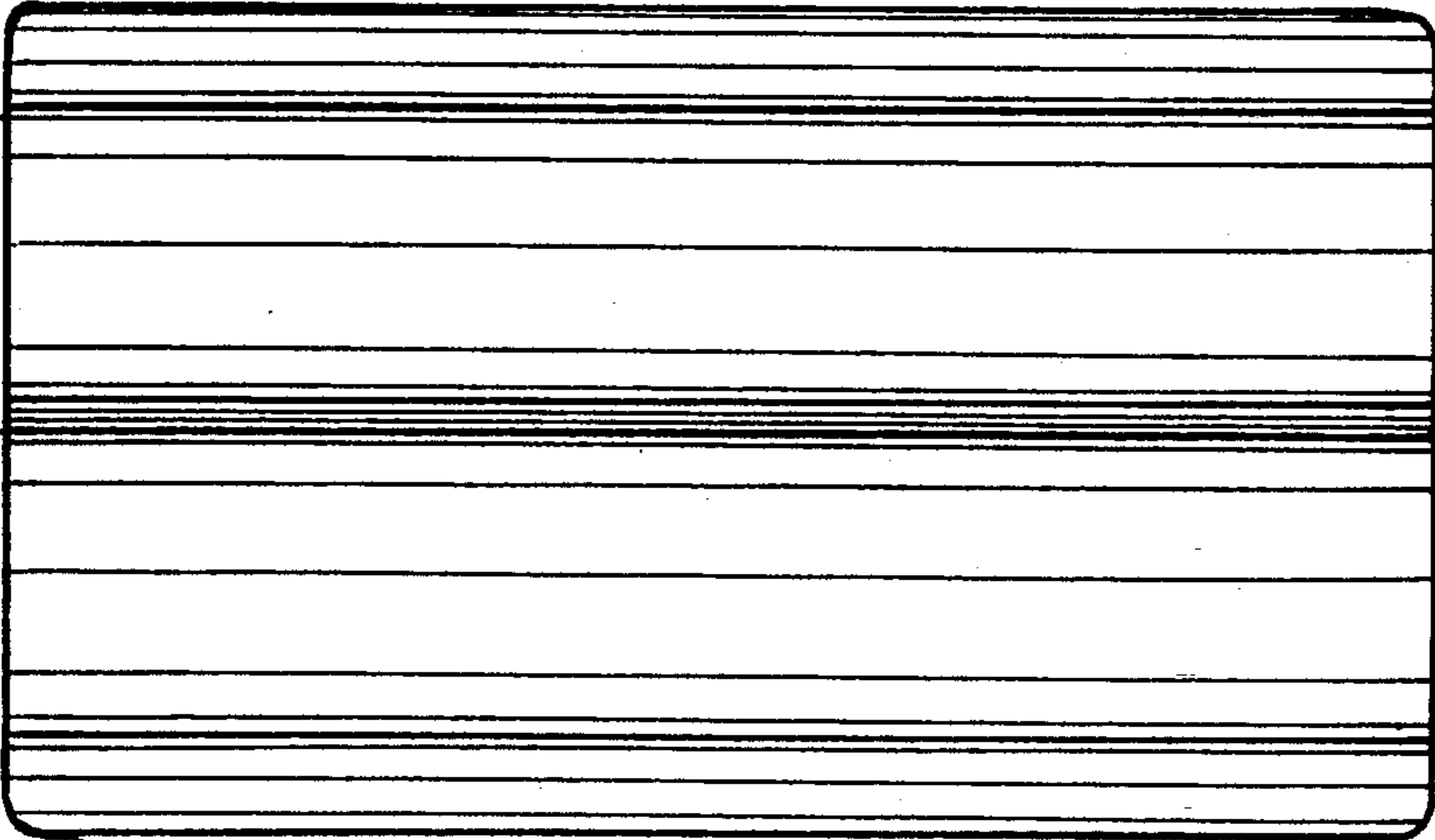


FIG. 7

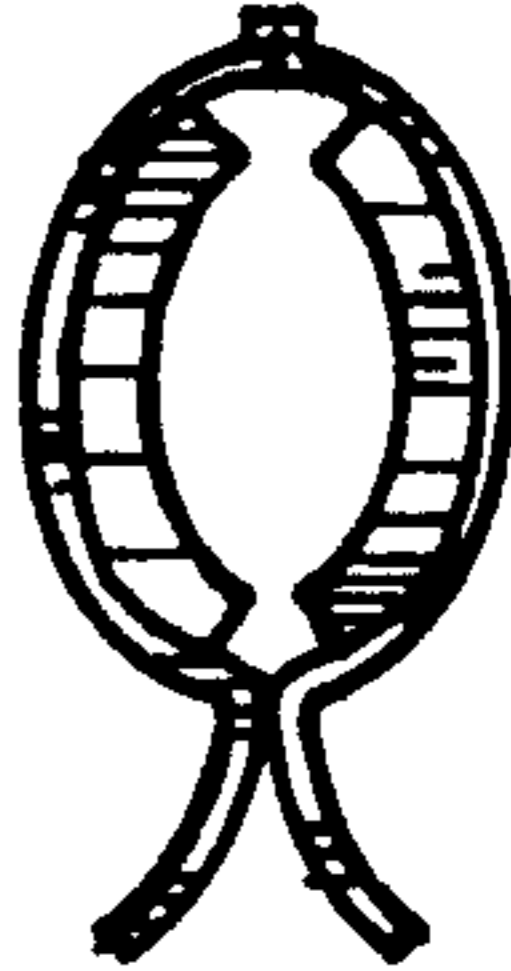


FIG. 8



FIG. 9



FIG. 10