



US00D329965S

United States Patent [19]

[11] Patent Number: **Des. 329,965**

Baril

[45] Date of Patent: **** Oct. 6, 1992**

[54] **POTATO CUTTER**

[56] **References Cited**

[76] Inventor: **Gary G. Baril, 336 Westbrook St.,
South Portland, Me. 04106**

U.S. PATENT DOCUMENTS

D. 296,176	6/1988	Glenn	D7/673
2,242,607	5/1941	Ehlke	30/117 X
4,383,365	5/1983	Metzigian	30/117 X

[**] Term: **14 Years**

Primary Examiner—Terry A. Pfeffer
Attorney, Agent, or Firm—Laforest S. Saulsbury

[21] Appl. No.: **591,492**

[57] **CLAIM**

The ornamental design of a potato cutter, as shown and described.

[22] Filed: **Oct. 1, 1990**

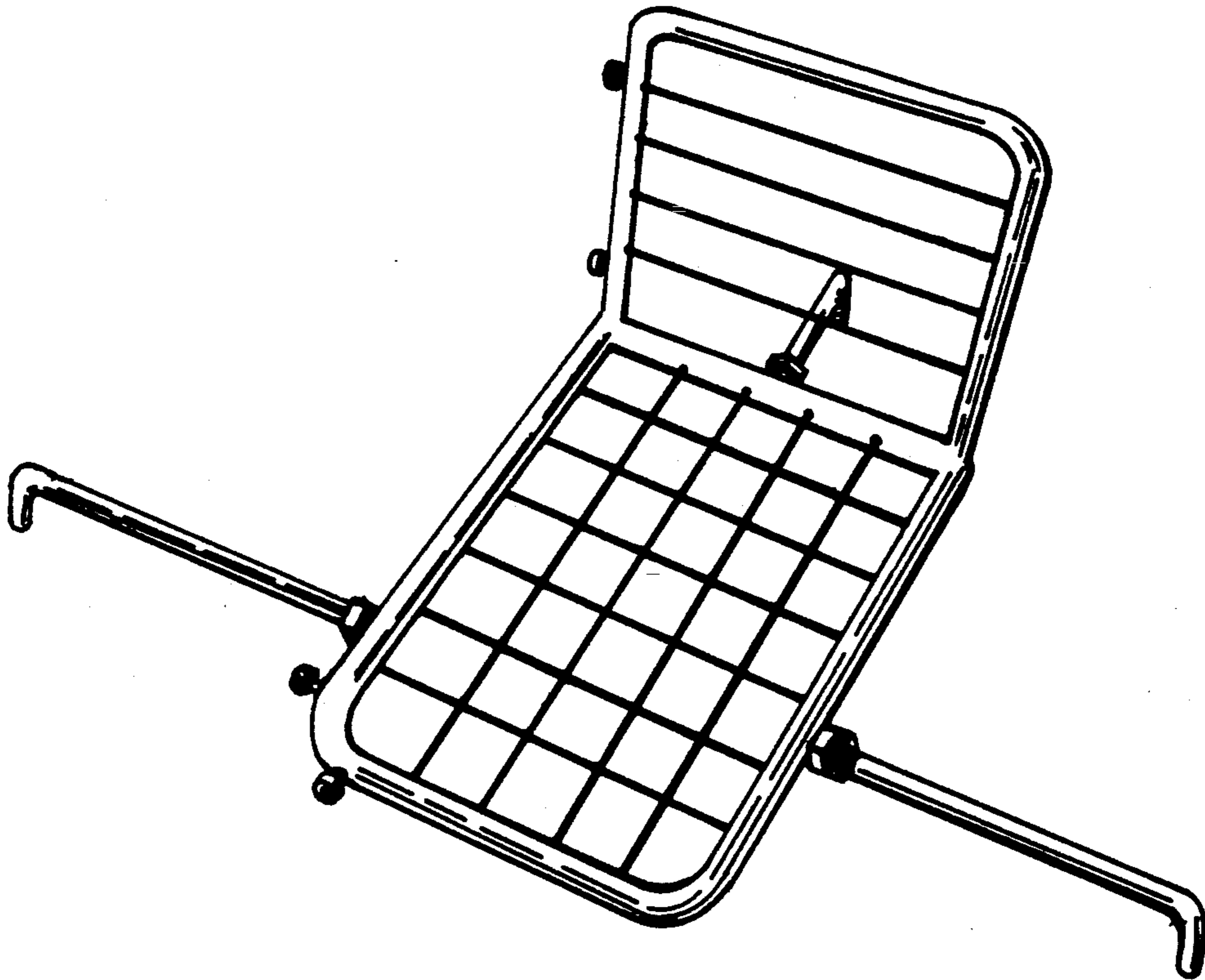
DESCRIPTION

[52] U.S. Cl. **D7/673**

FIG. 1 is top perspective view of a potato cutter showing my new design; and,

[58] Field of Search **D7/673, 674;
30/114-117, 299, 302**

FIG. 2 is a rear perspective view thereof, the potato and container shown in broken lines for illustrative purposes only.



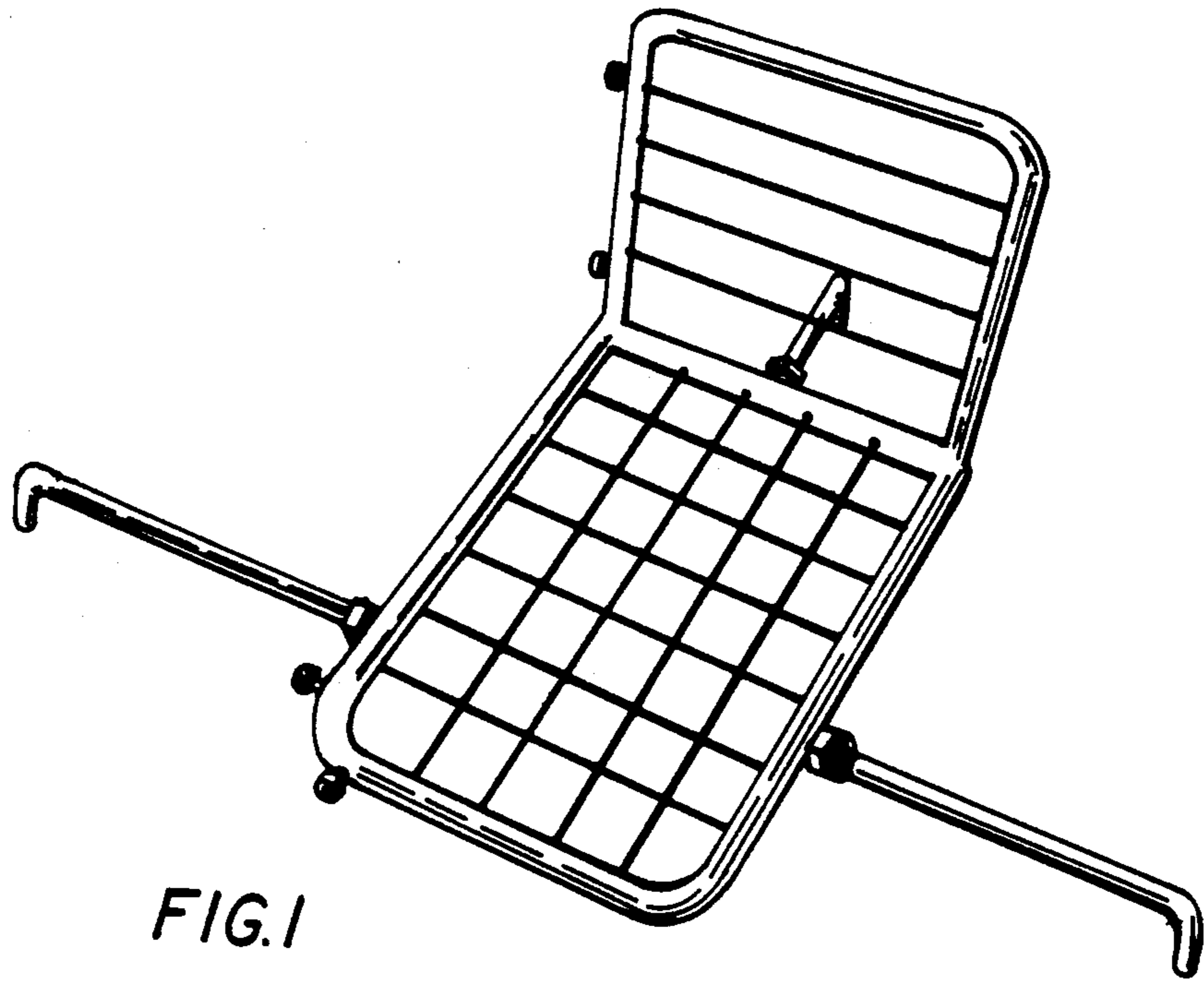


FIG. 1

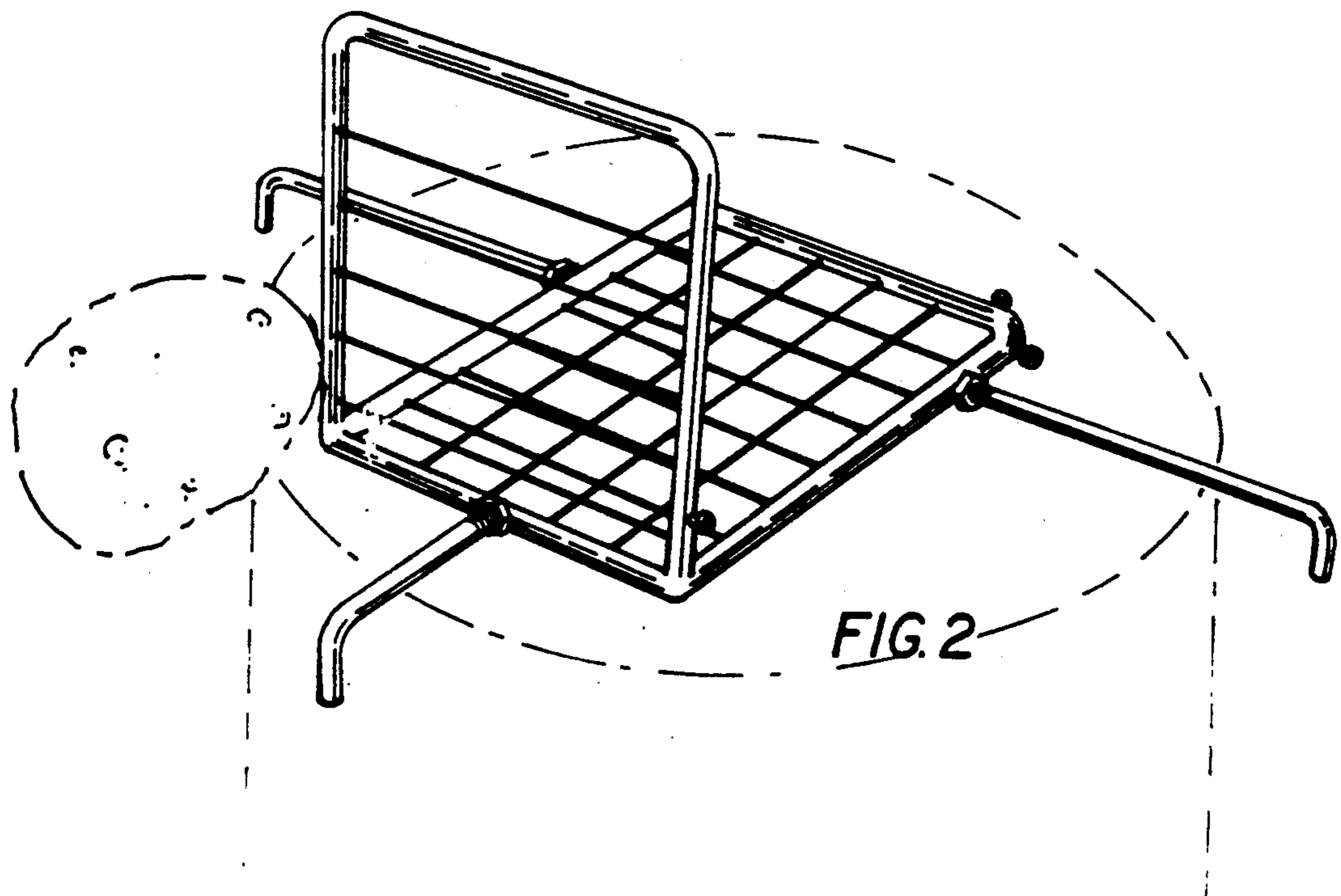


FIG. 2