



US00D329962S

# United States Patent [19]

[11] Patent Number: **Des. 329,962**

Hestehave et al.

[45] Date of Patent: **\*\* Oct. 6, 1992**

[54] **COMBINED JAR AND LID**

### OTHER PUBLICATIONS

[75] Inventors: **Borge Hestehave, Alta Loma; Kjeld Hestehave, Upland, both of Calif.**

Glassware catalog—H Anchor Hocking. p. 13, #372 provision jar & cover.

[73] Assignee: **Bomatic, Inc., Ontario, Calif.**

*Primary Examiner*—Terry A. Pfeffer  
*Attorney, Agent, or Firm*—Sixbey, Friedman, Leedom & Ferguson

[\*\*] Term: **14 Years**

### [57] CLAIM

[21] Appl. No.: **553,004**

The ornamental design for a combined jar and lid, as shown and described herein.

[22] Filed: **Jul. 16, 1990**

### DESCRIPTION

[52] U.S. Cl. .... **D7/612; D9/505**

[58] Field of Search ..... **D7/612-615, D7/629, 538, 391; D9/354, 385; 215/1 R; D7/391**

**FIG. 1** is a side elevational view of a combined jar and lid showing our new design, the remaining side being identical;

**FIG. 2** is a top plan view thereof;

**FIG. 3** is a bottom plan view of the jar portion shown separately for clarity of illustration;

**FIG. 4** is a side elevational view of **FIG. 3**;

**FIG. 5** is a top plan view of **FIG. 3**;

**FIG. 6** is a side elevational view of the lid portion shown separately for clarity of illustration;

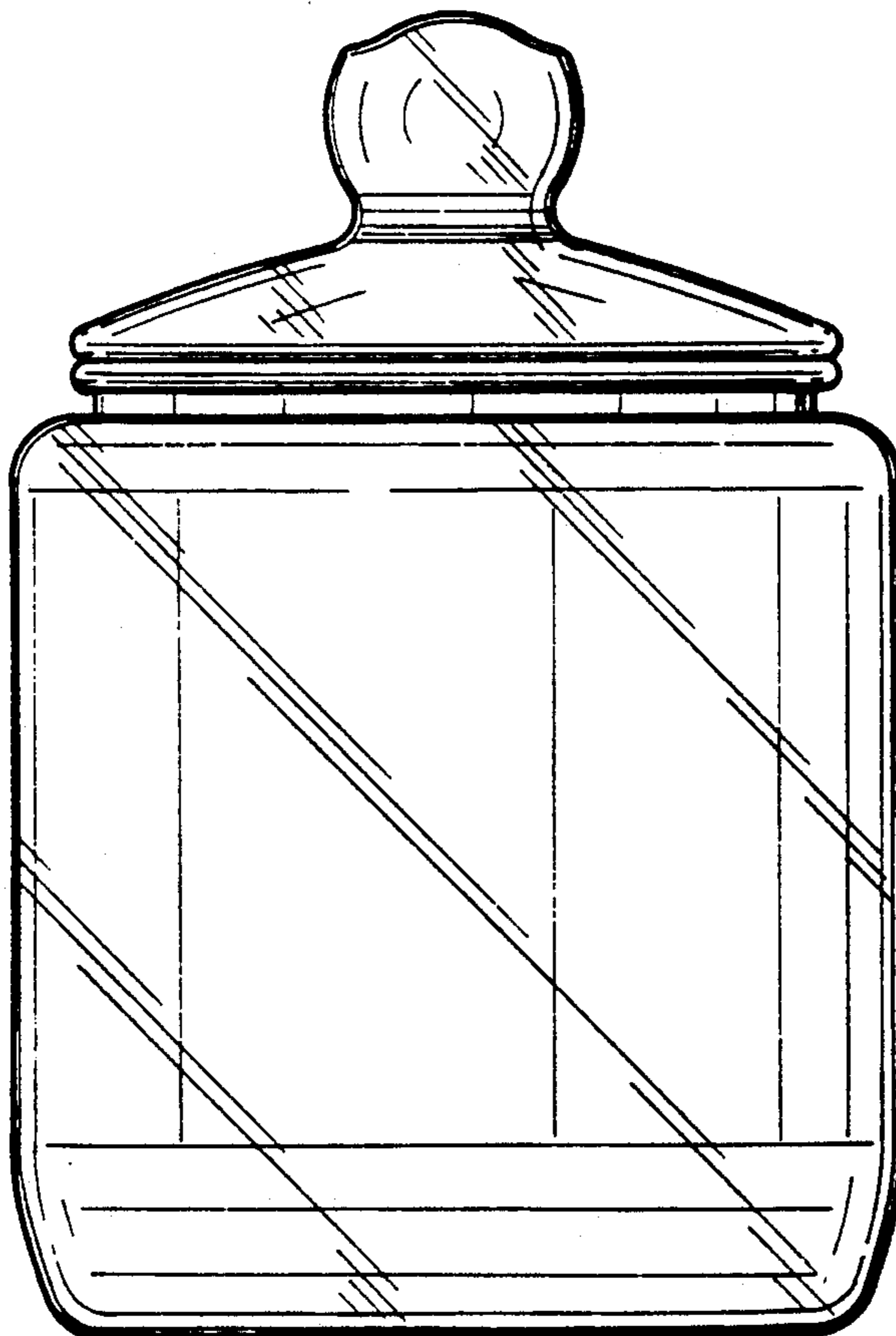
**FIG. 7** is a bottom plan view of **FIG. 6**; and,

**FIG. 8** is a top plan view of **FIG. 6**.

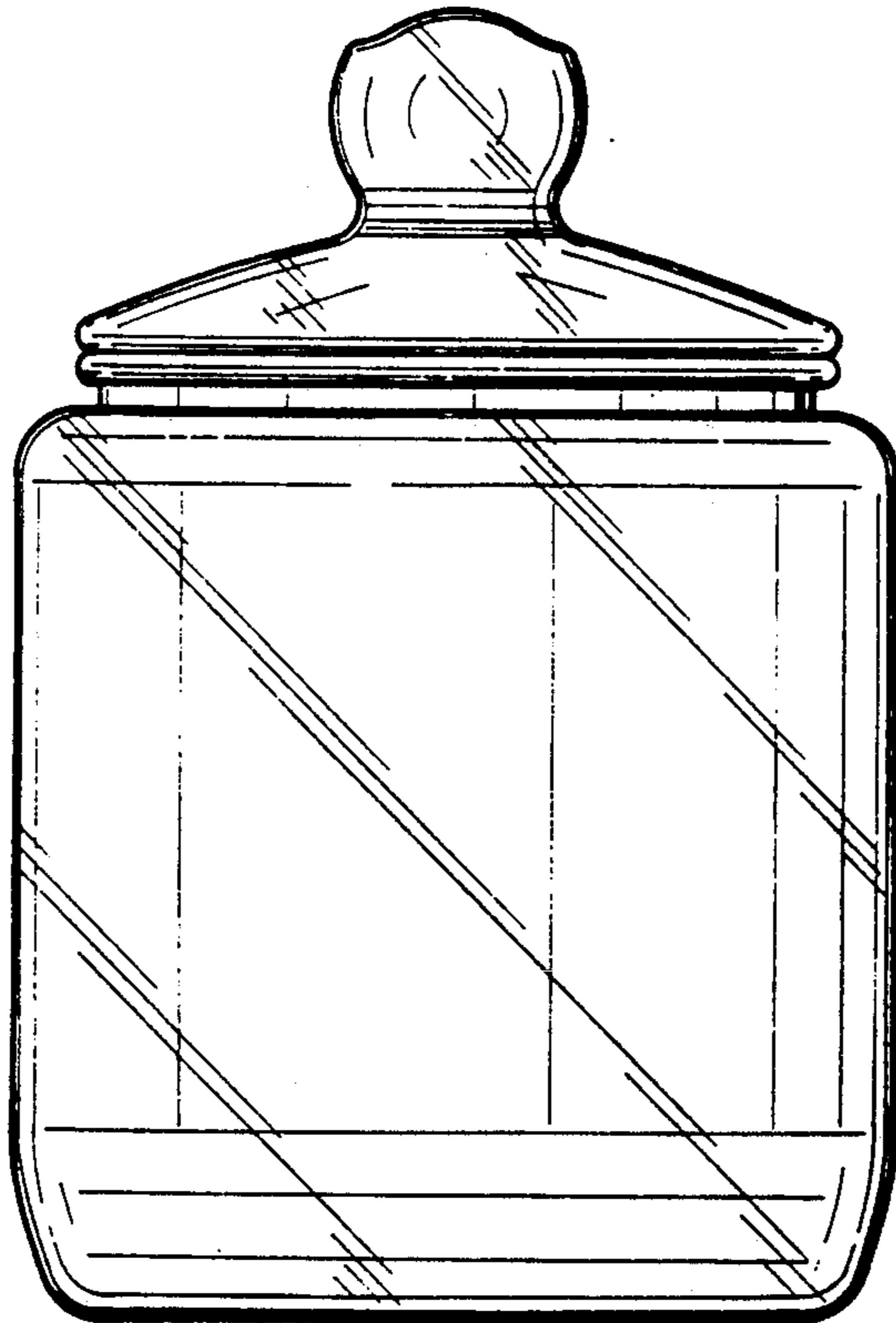
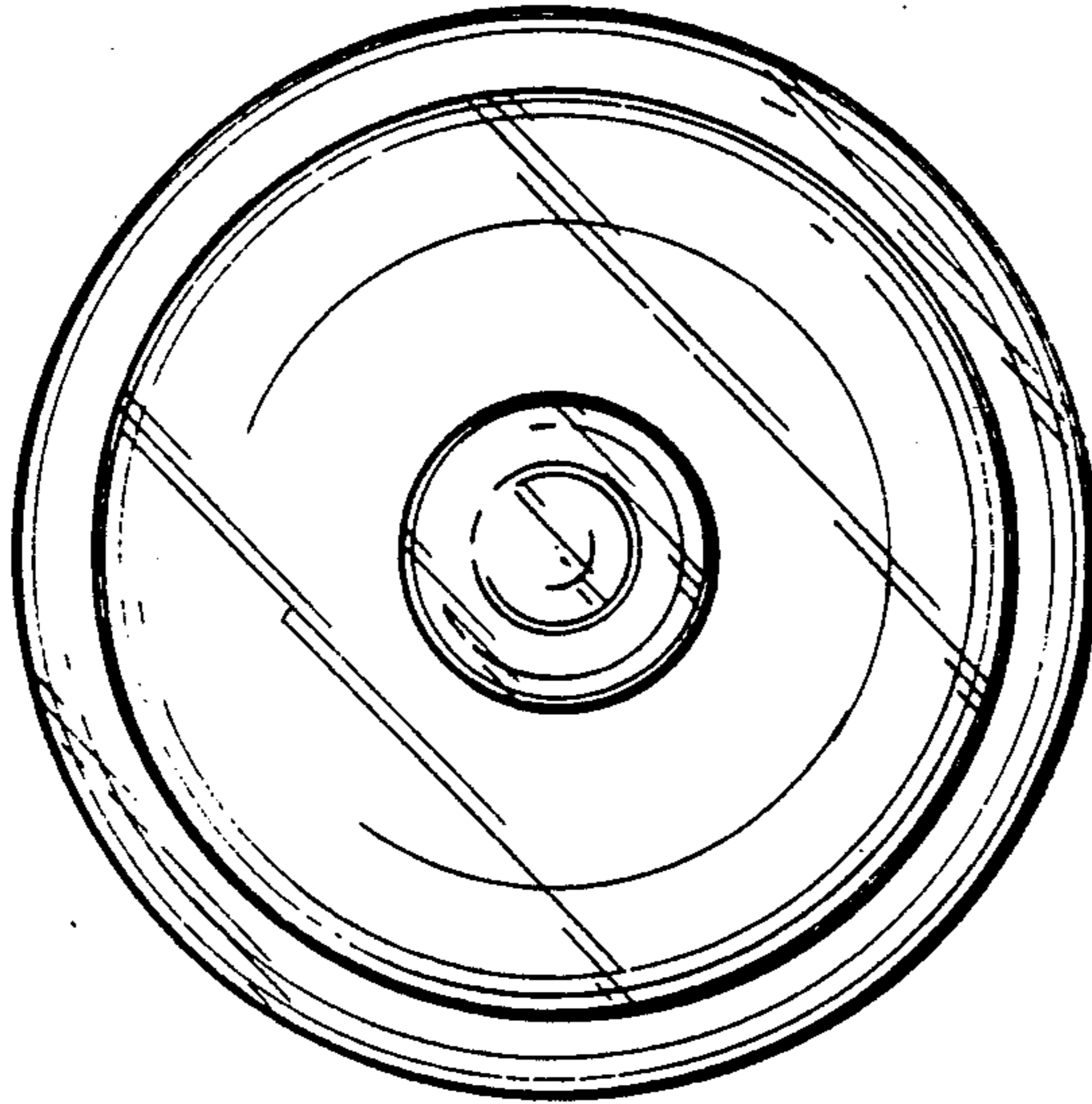
### [56] References Cited

#### U.S. PATENT DOCUMENTS

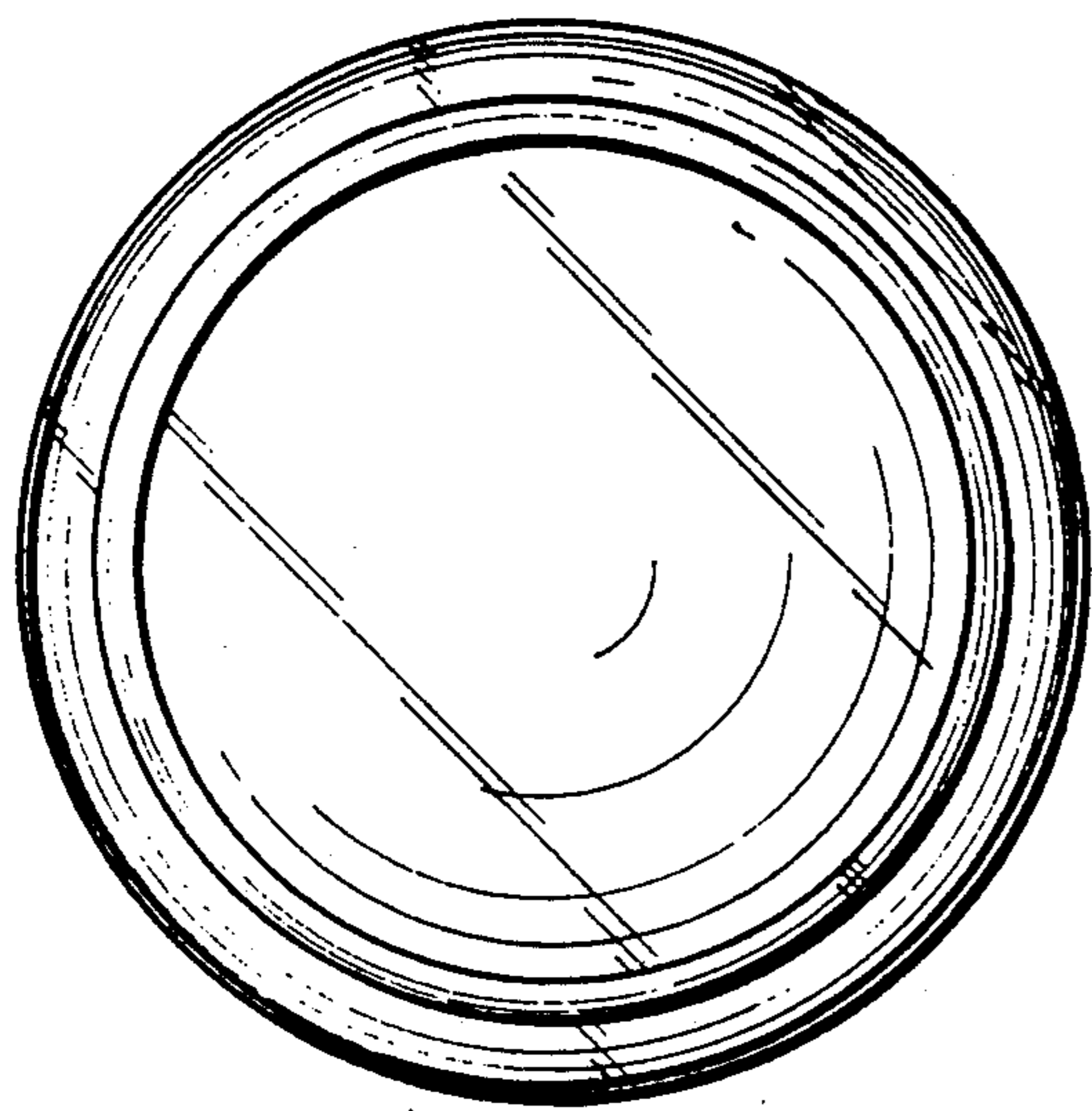
D. 45.801	5/1914	Eichhorn	.....	D9/385 X
D. 235.090	5/1975	Achenbach	.....	D7/391
D. 237.855	12/1975	Achenbach	.....	D7/615
D. 242.835	12/1976	Loscalzo	.....	D7/615



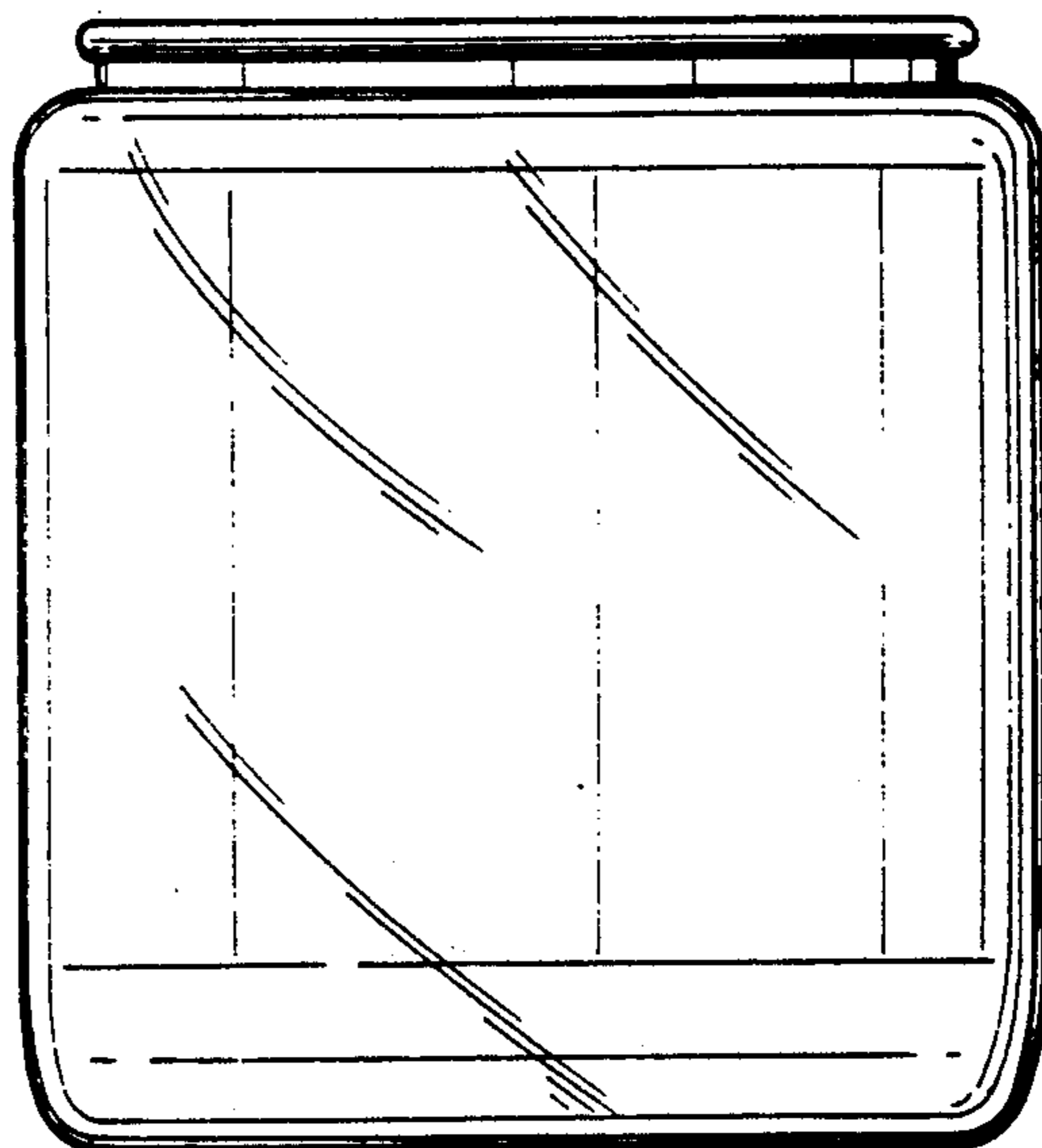
*FIG. 2*



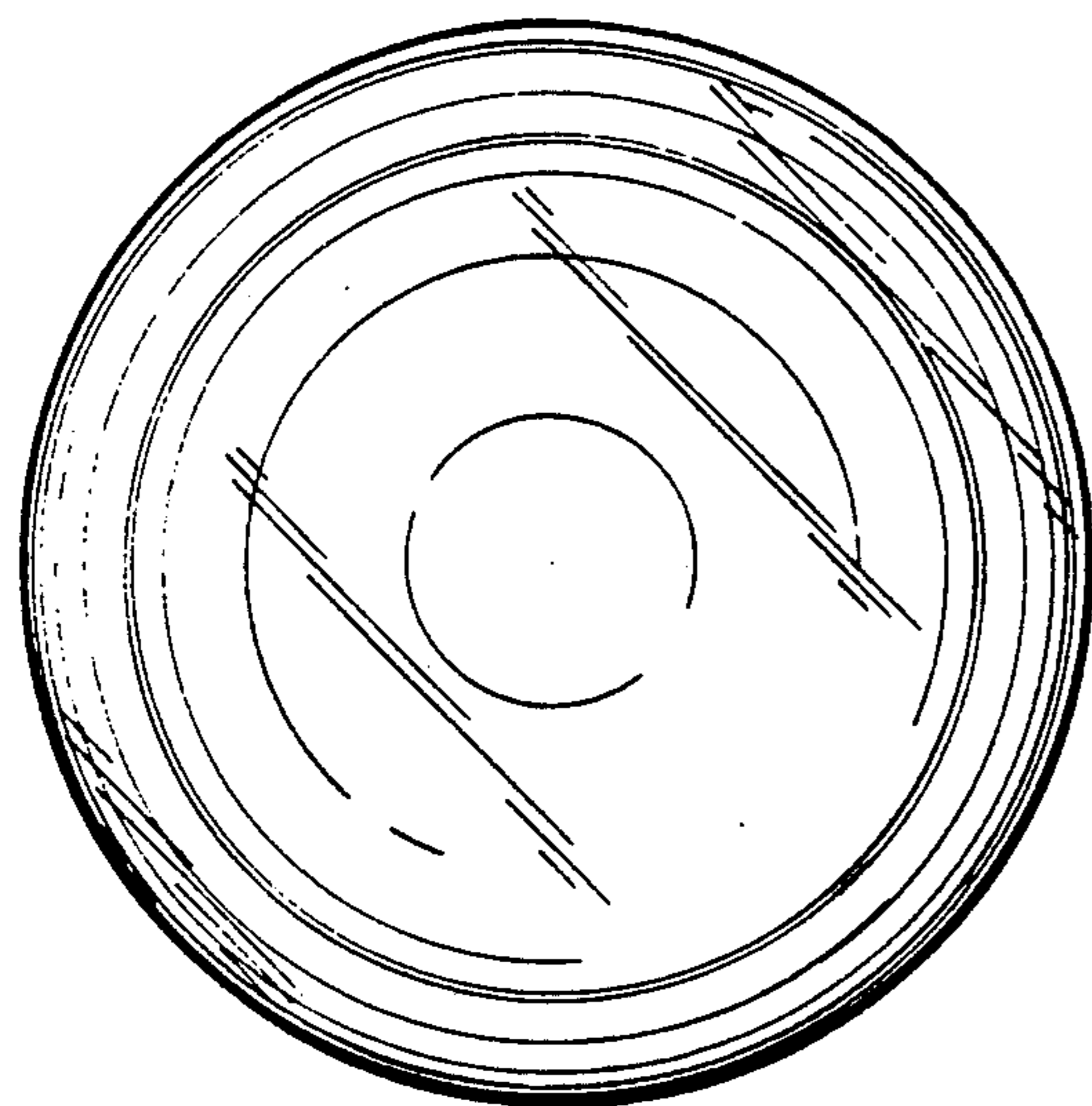
*FIG. 1*



*FIG. 3*

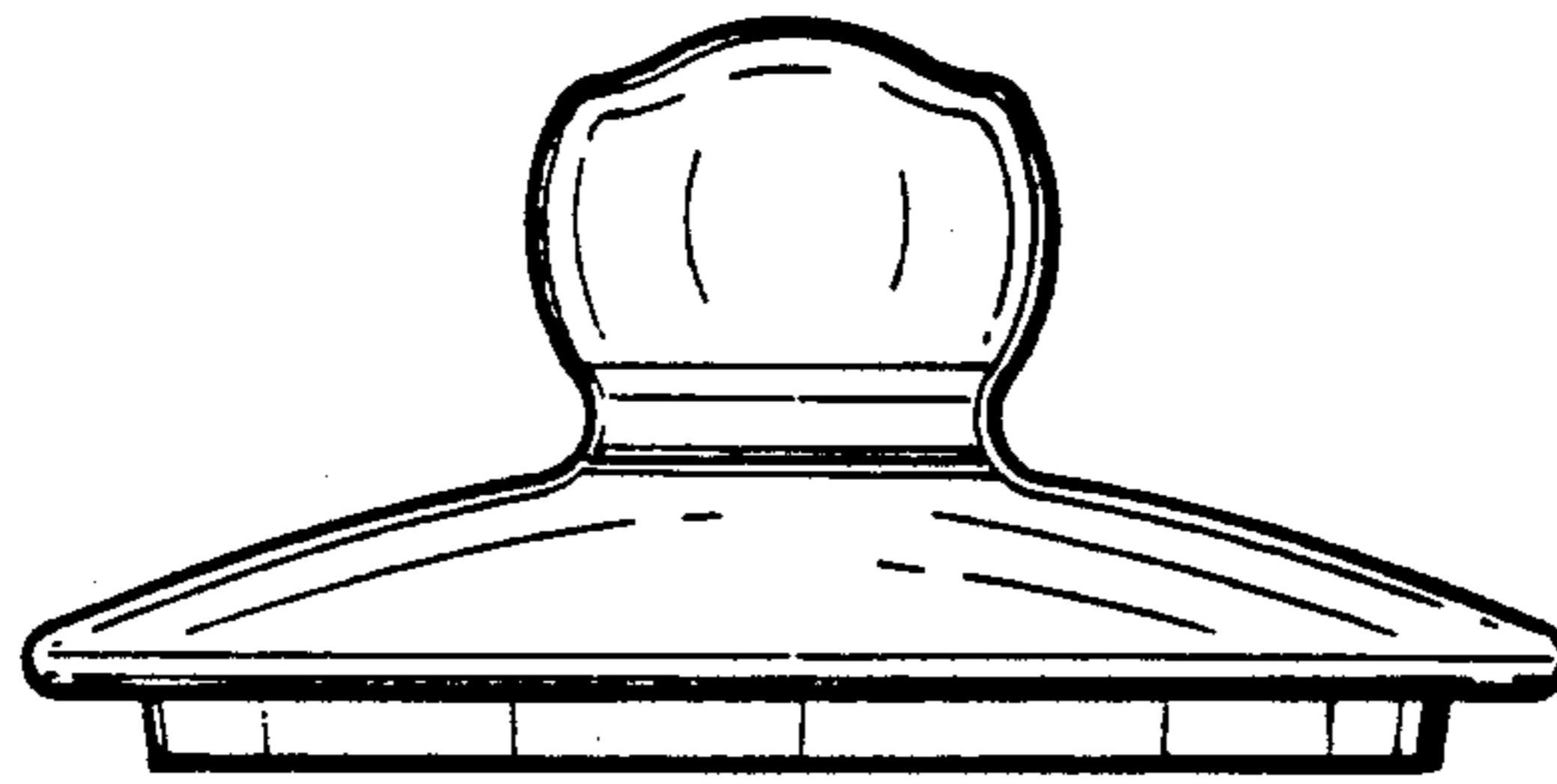
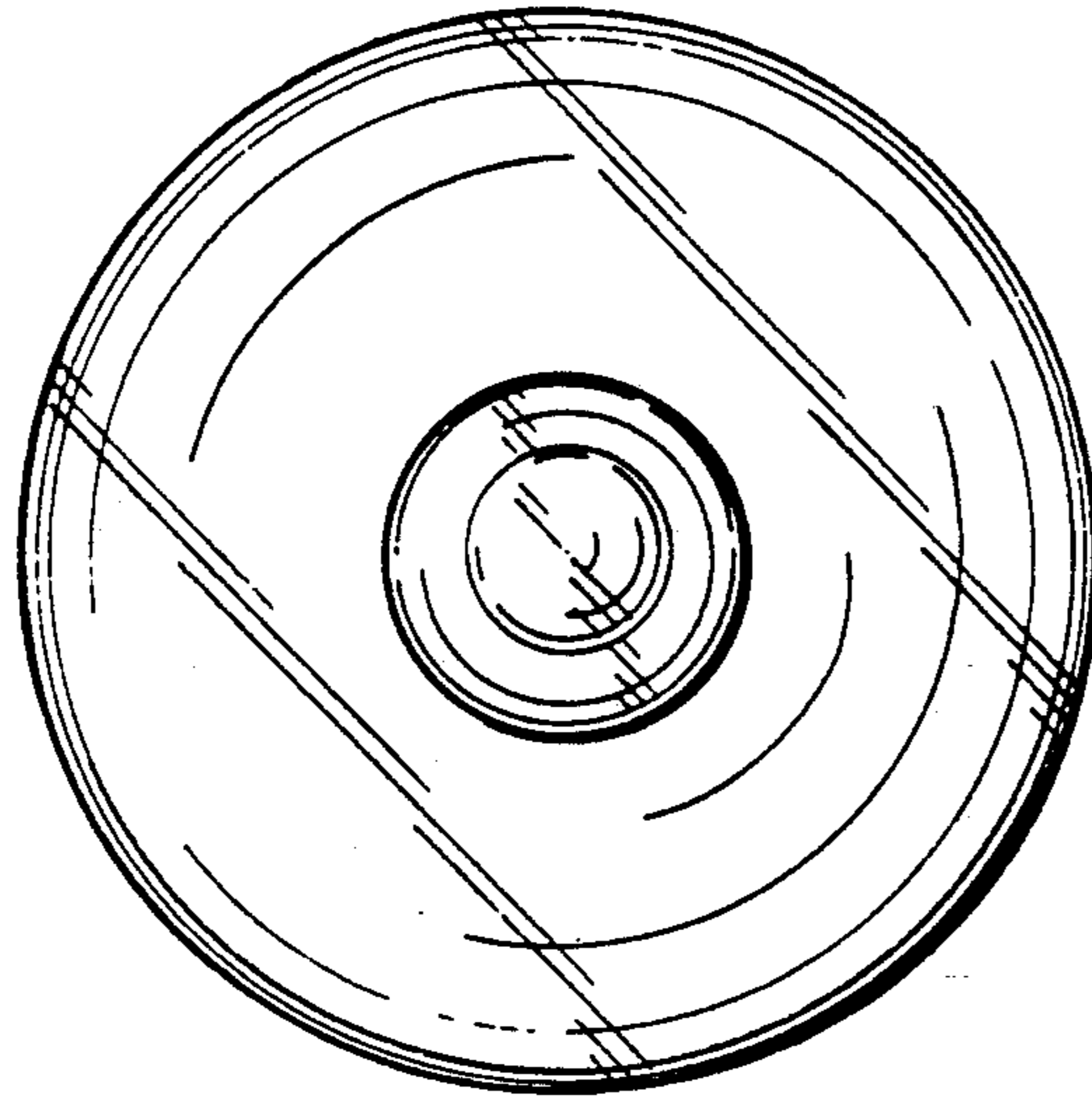


*FIG. 4*

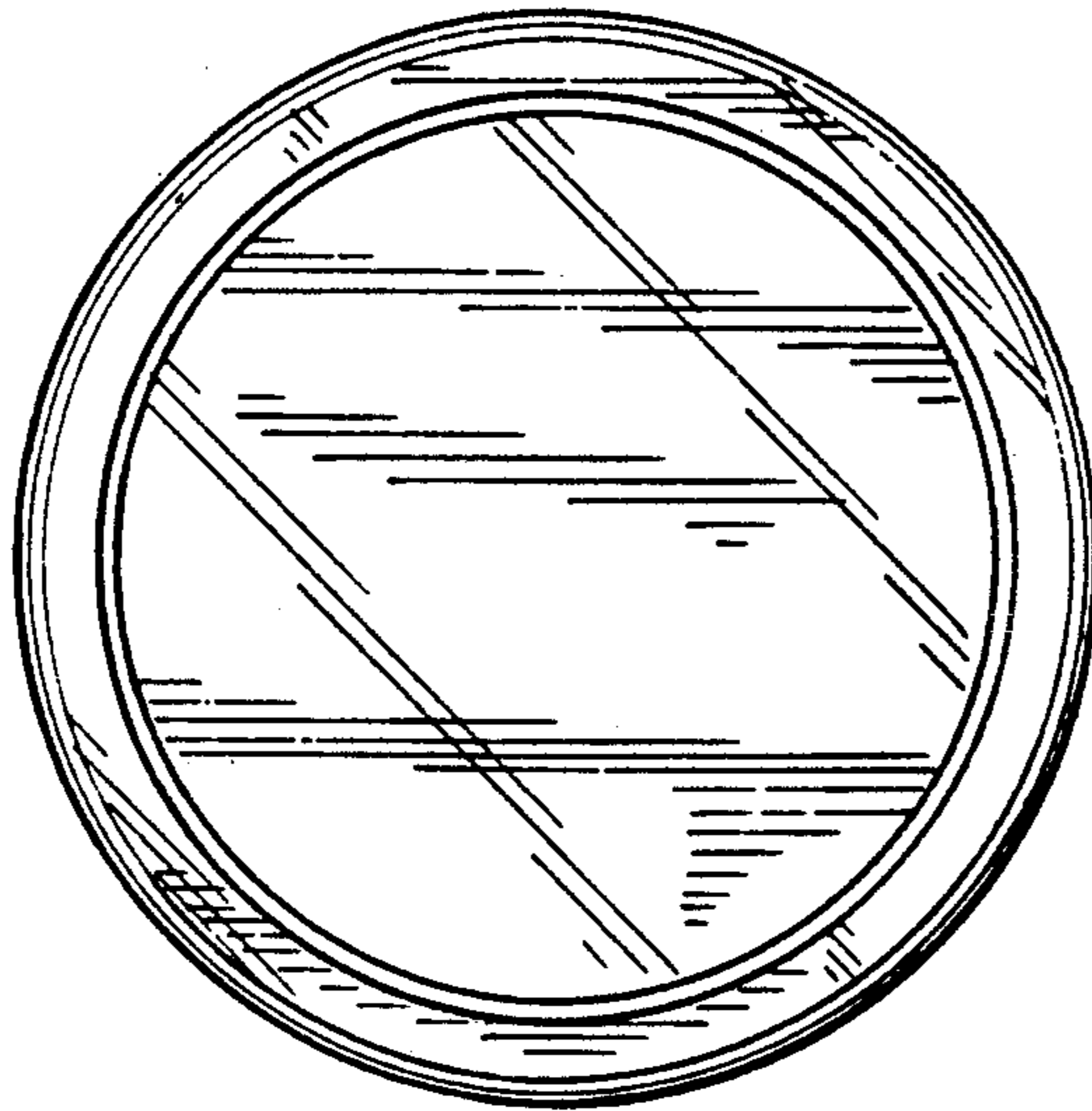


*FIG. 5*

*FIG. 6*



*FIG. 7*



*FIG. 8*