



US00D329957S

United States Patent [19]

[11] Patent Number: **Des. 329,957**

Hartnett

[45] Date of Patent: **** Oct. 6, 1992**

[54] **COMBINED STADIUM STORAGE POCKET AND CUSHION**

4,604,987 8/1986 Keltner .
4,783,120 11/1988 Kiechlin .
4,843,662 7/1989 Handelman 5/448 X

[76] Inventor: **Timothy Hartnett, 543 Phillippa St., Hinsdale, Ill. 60521**

Primary Examiner—Brian N. Vinson
Attorney, Agent, or Firm—Terry M. Gernstein

[**] Term: **14 Years**

[57] **CLAIM**

[21] Appl. No.: **558,184**

The ornamental design for a combined stadium storage pocket and cushion, as shown and described.

[22] Filed: **Jul. 25, 1990**

[52] U.S. Cl. **D6/601; D6/611**

[58] Field of Search **D6/595-596, D6/601; D3/30.1, 106, 43, 52; 5/462, 465, 652, 654, 656-657, 900.5, 901, 902, 907; 297/219, 229**

DESCRIPTION

FIG. 1 is a top, front, and left side perspective view of a combined stadium storage pocket and cushion showing my new design;

FIG. 2 is a top, front, and left side perspective view thereof, showing the article in a closed configuration;

FIG. 3 is a front elevational view thereof;

FIG. 4 is a rear elevational view thereof;

FIG. 5 is a right side elevational view thereof, the left side being a mirror image of that shown;

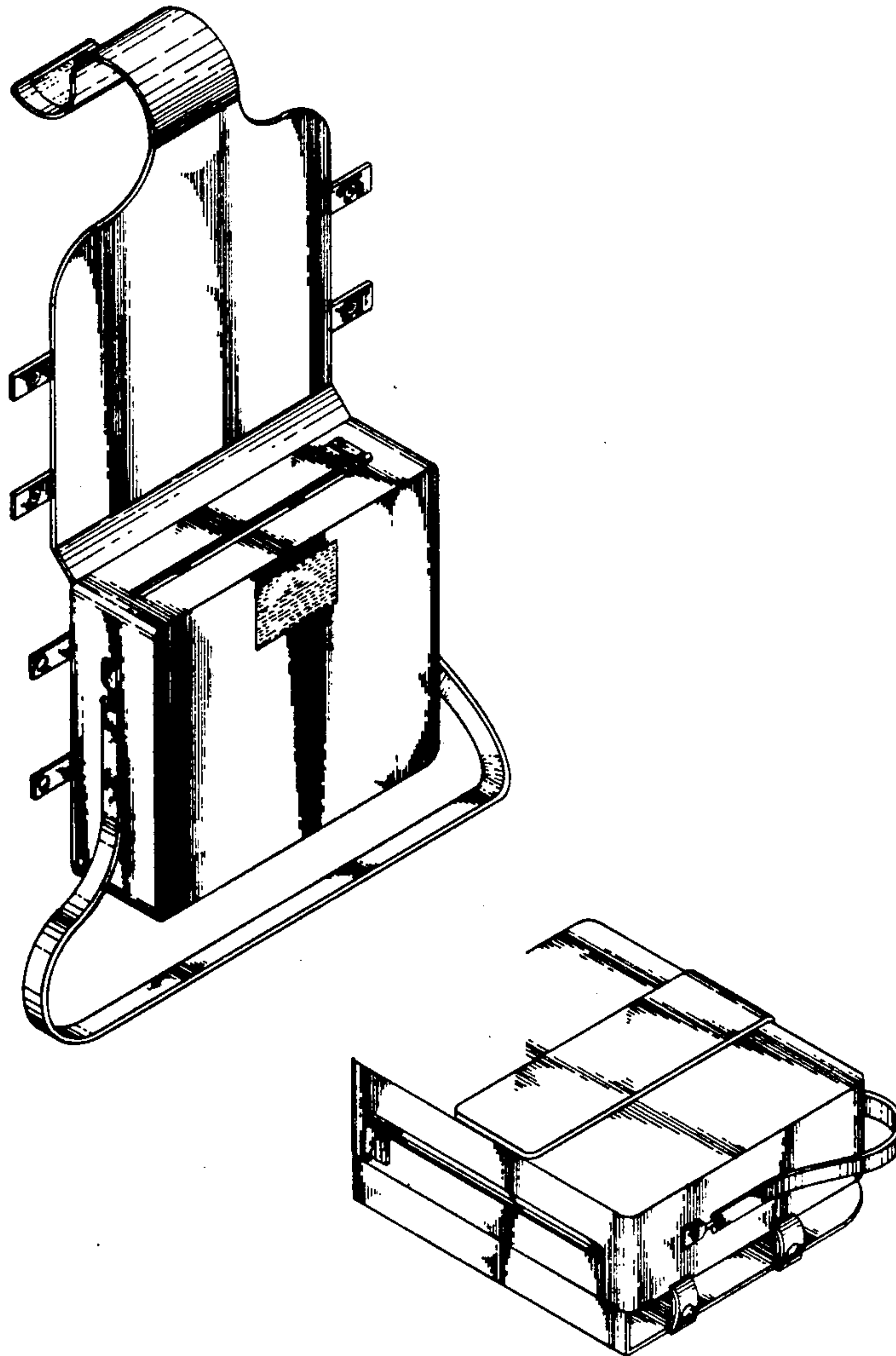
FIG. 6 is a top plan view thereof; and,

FIG. 7 is a bottom plan view thereof.

[56] **References Cited**

U.S. PATENT DOCUMENTS

- D. 283,771 5/1986 Howard D6/596
- D. 312,741 12/1990 Treadwell D6/601
- 4,190,918 3/1980 Harvell 5/465
- 4,597,605 7/1986 Gilbert .



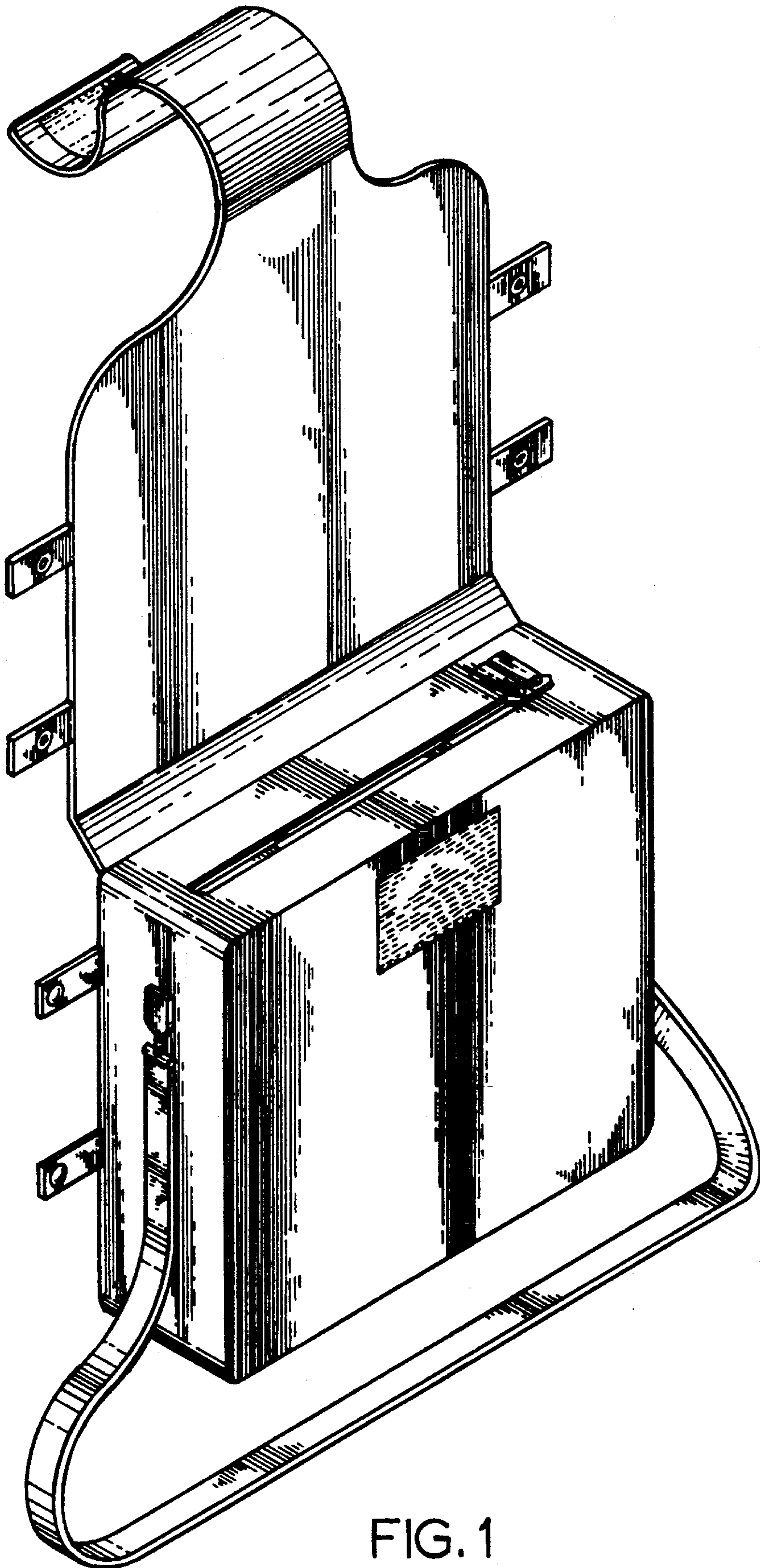


FIG. 1

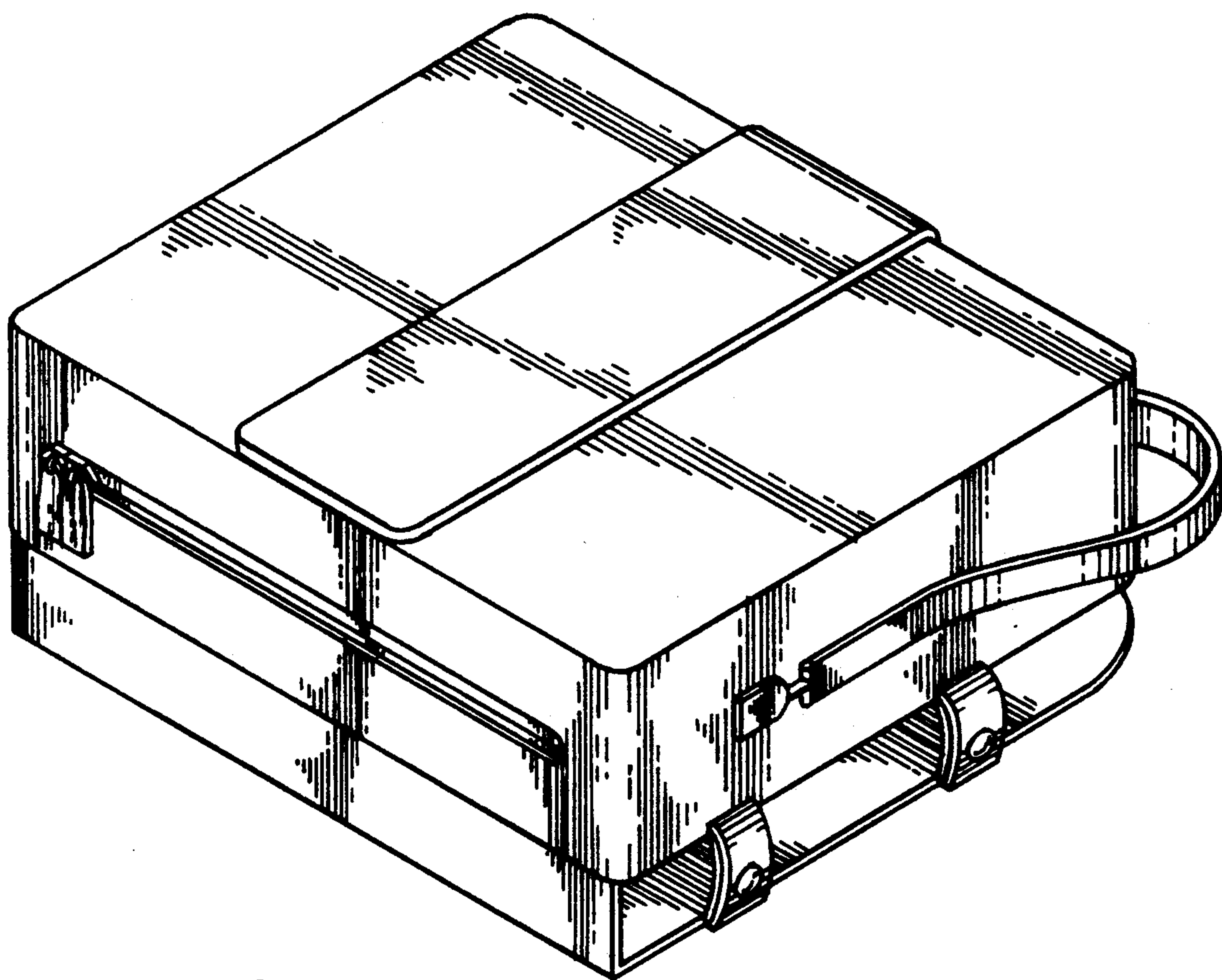


FIG. 2

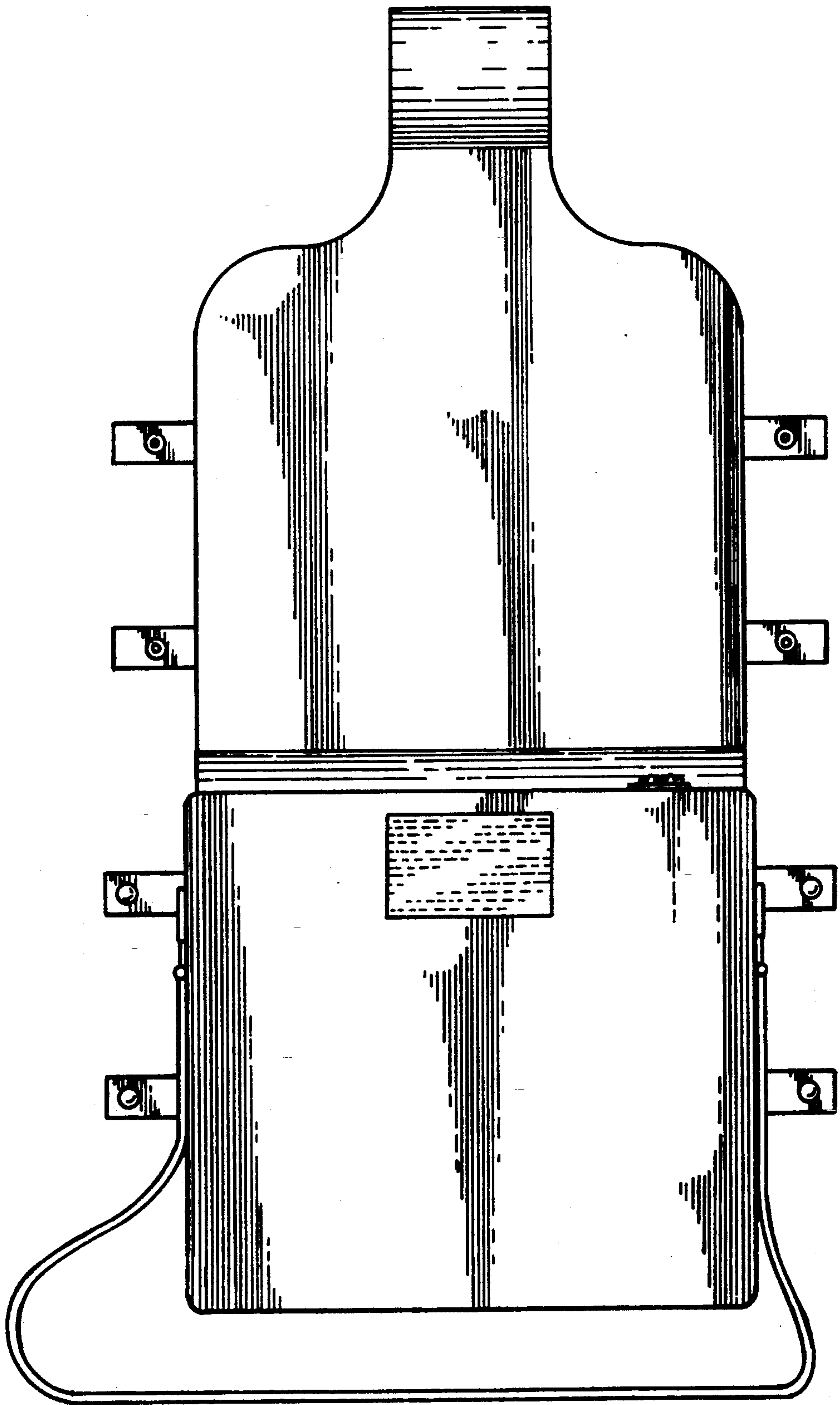


FIG. 3

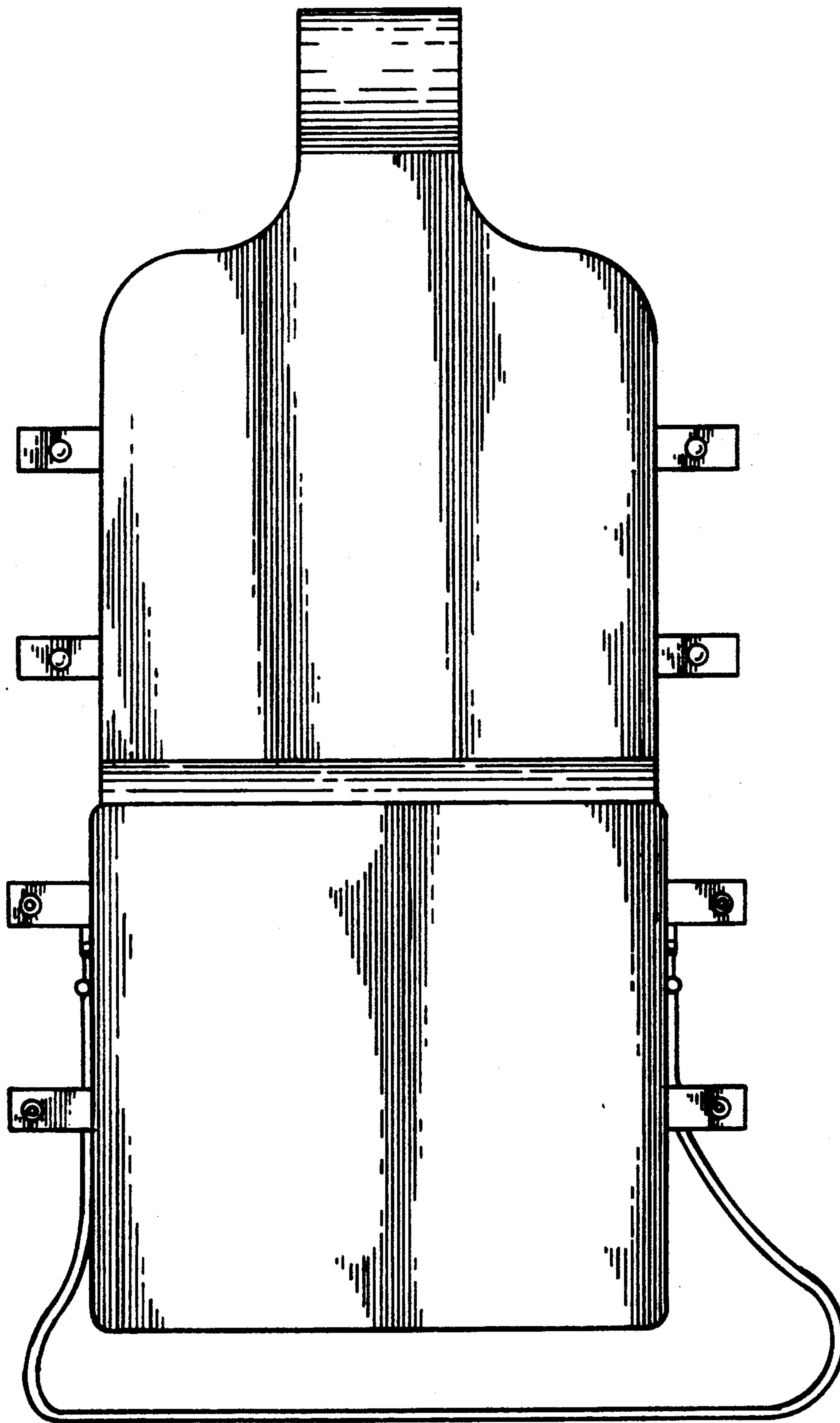


FIG. 4

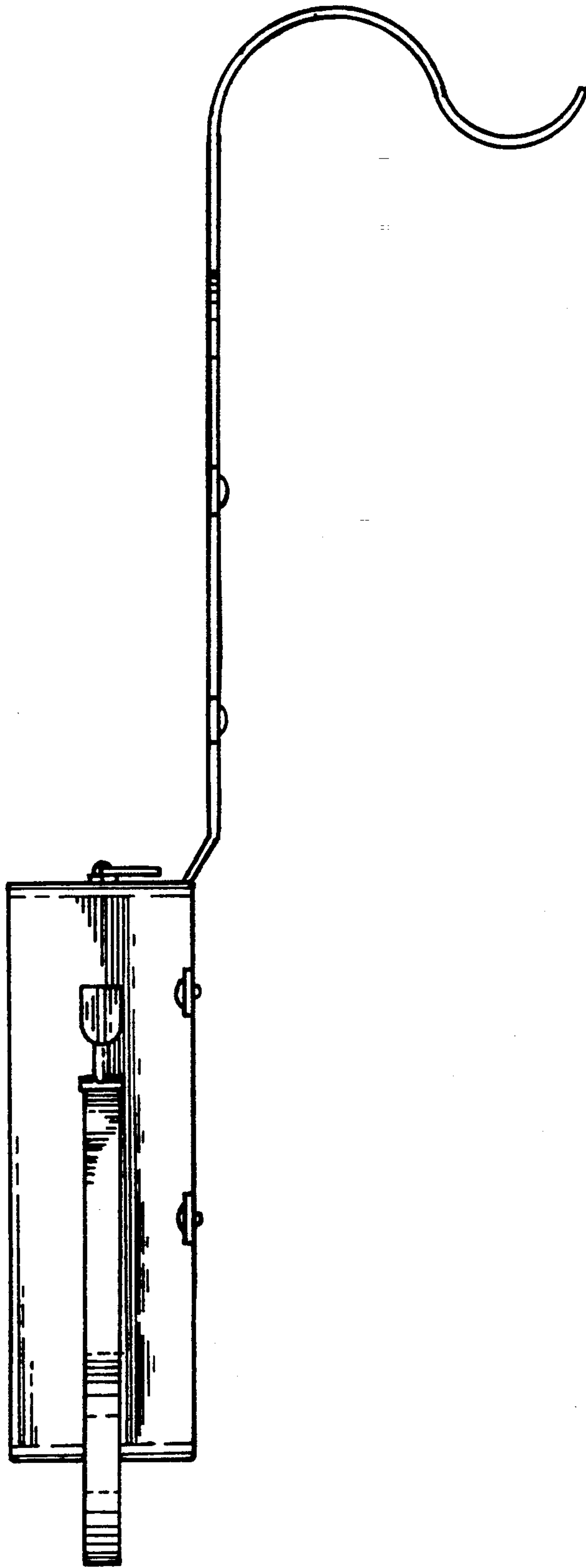


FIG. 5

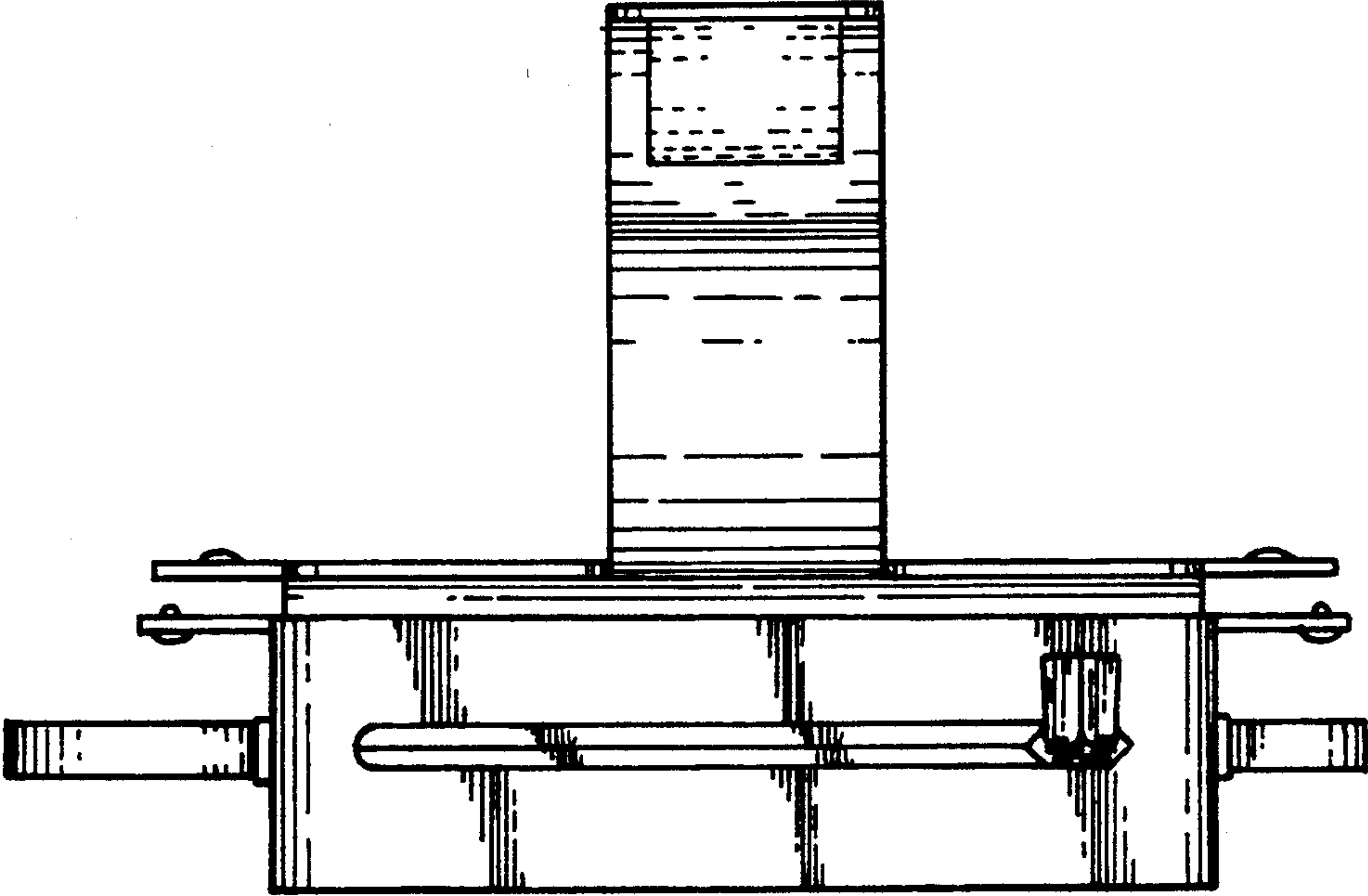


FIG. 6

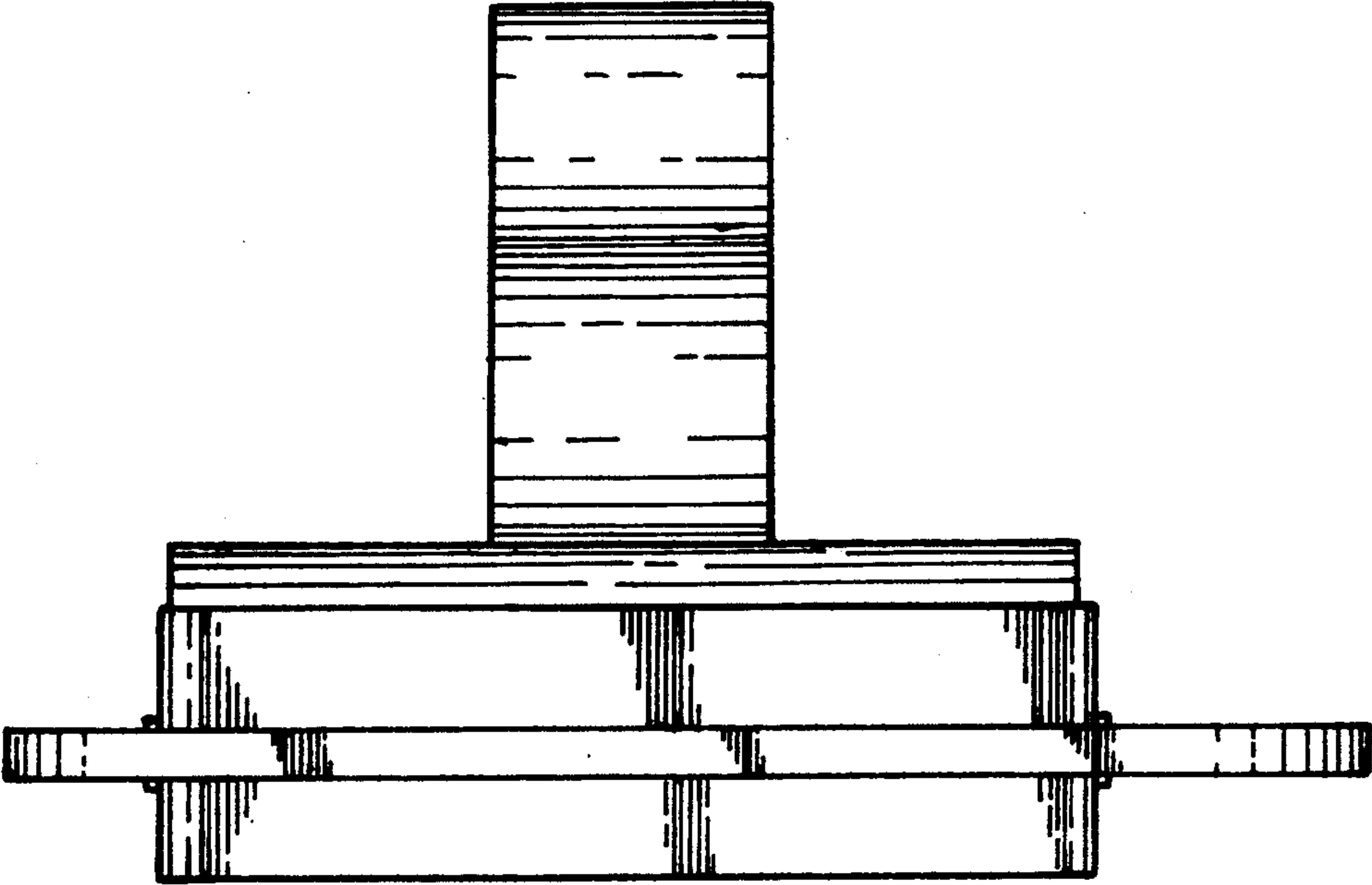


FIG. 7