



US00D329956S

United States Patent [19]

[11] Patent Number: **Des. 329,956**

Stewart

[45] Date of Patent: **** Oct. 6, 1992**

[54] **COMBINATION ROLLED COLORING SCROLL, ROLLED WALL-MOUNTING ADHESIVE, AND DISPENSER THEREFOR**

5,038,934 8/1991 Higashiyama 206/389 X

[76] Inventor: **James W. Stewart**, 858 Ashbury St., San Francisco, Calif. 94117

Primary Examiner—Brian N. Vinson
Attorney, Agent, or Firm—Haverstock, Medlen & Carroll

[**] Term: **14 Years**

[57] CLAIM

[21] Appl. No.: **597,740**

The ornamental design for a combination rolled coloring scroll, rolled wall-mounting adhesive, and dispenser therefor, as shown and described.

[22] Filed: **Oct. 12, 1990**

DESCRIPTION

[52] U.S. Cl. **D6/520**

[58] Field of Search D6/512, 515, 518-520, D6/522-523; 206/389, 391, 409; 221/92, 282-286; 242/55.2, 55.3, 55.53; 312/37-39

FIG. 1 is a top, front, and left side perspective view of a combination rolled coloring scroll, rolled wall-mounting adhesive and dispenser therefor showing my new design;

[56] References Cited

U.S. PATENT DOCUMENTS

D. 154,943	8/1949	Mell	D6/519
D. 208,102	7/1967	Brandon	D6/518
D. 308,445	6/1990	Loughridge	D6/518
3,156,356	11/1964	McConnell	242/55.53 X
4,451,010	5/1984	Meyer	242/55.53

FIG. 2 is a left side elevational view thereof, the right side being a mirror image of that shown;

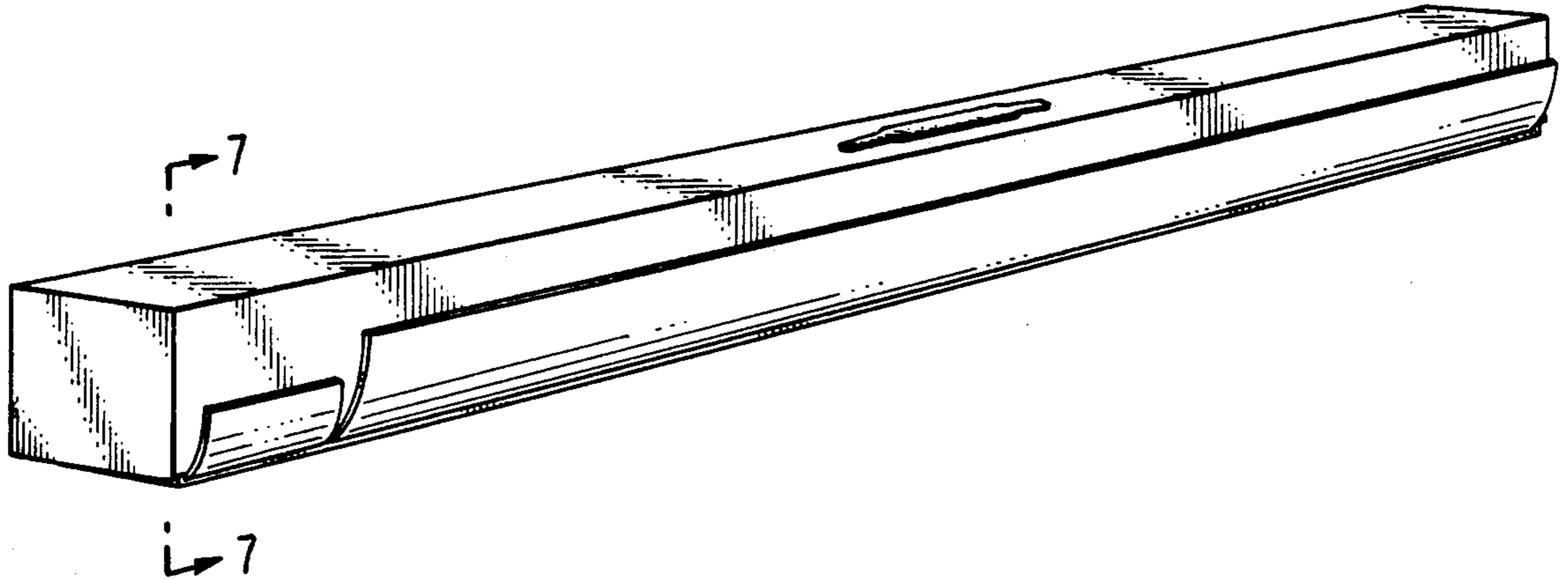
FIG. 3 is a reduced top plan view thereof;

FIG. 4 is a reduced front elevational view thereof;

FIG. 5 is a reduced bottom plan view thereof;

FIG. 6 is a reduced rear elevational view thereof; and,

FIG. 7 is a vertical cross-sectional view thereof, taken along line 7-7 of FIG. 1.



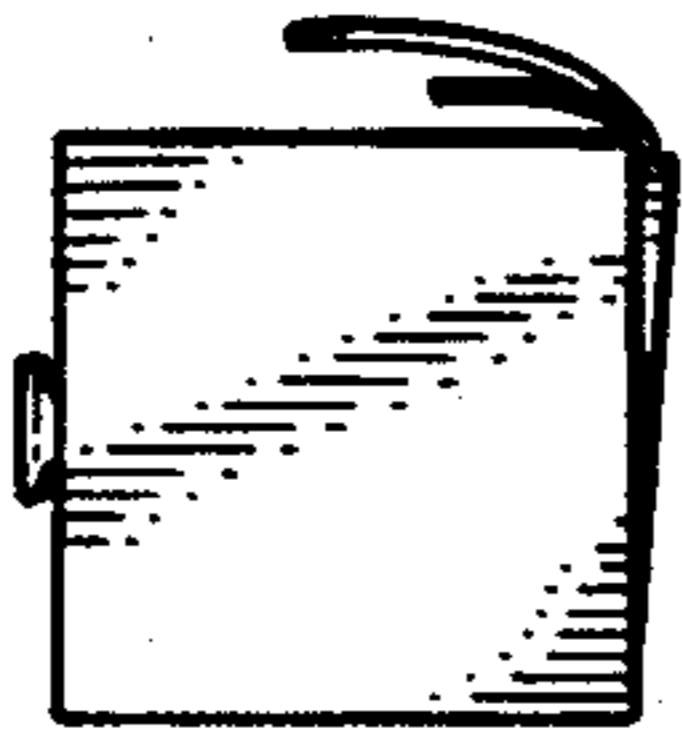
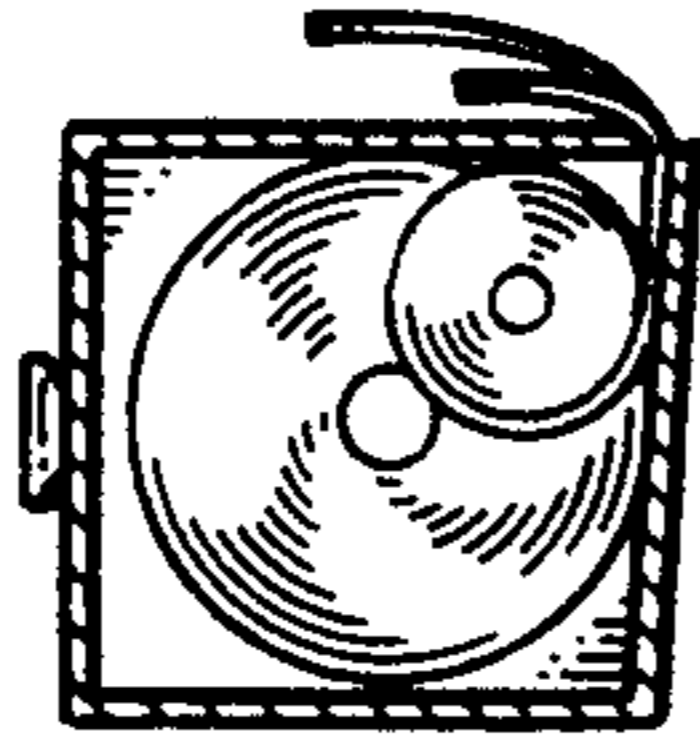
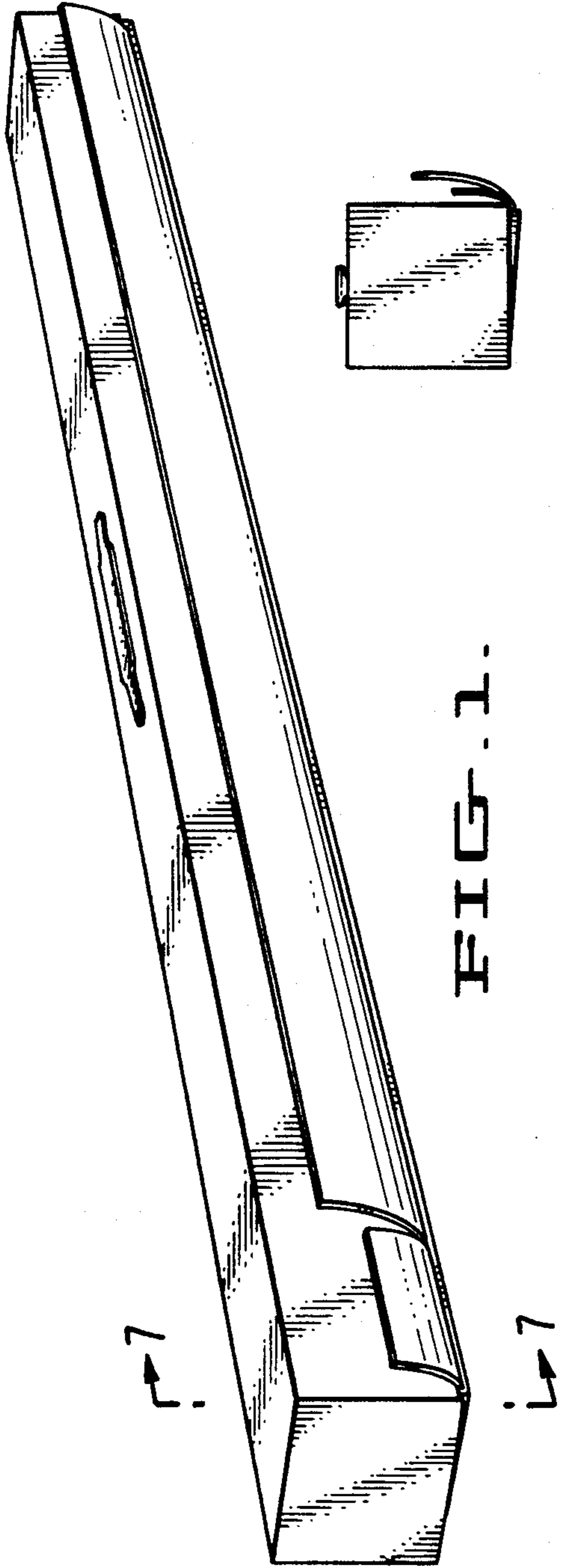


FIG. 2. FIG. 3.

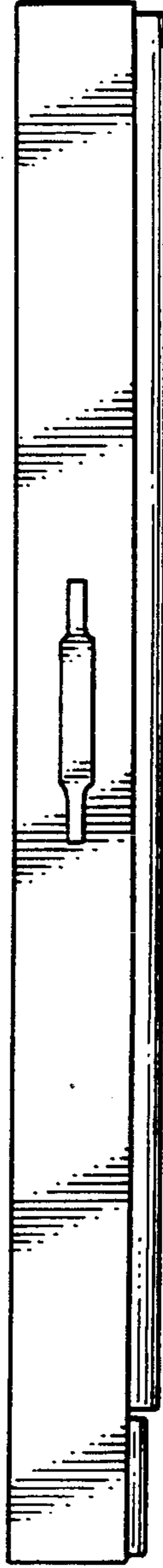


FIG. 4.



FIG. 5.

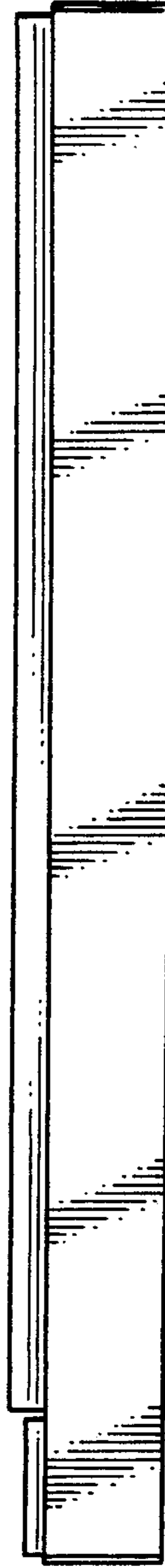


FIG. 6.



FIG. 7.