



US00D329954S

United States Patent [19]

[11] Patent Number: **Des. 329,954**

Sharon et al.

[45] Date of Patent: **** Oct. 6, 1992**

[54] STORAGE AND DISPLAY RACK

[75] Inventors: **Barry Sharon**, Creve Coeur, Mo.;
David G. Hill, Alton, Ill.

[73] Assignee: **The Nu-Era Group, Inc.**, St. Louis,
Mo.

[**] Term: **14 Years**

[21] Appl. No.: **506,016**

[22] Filed: **Apr. 9, 1990**

[52] U.S. Cl. **D6/462**

[58] Field of Search **D6/449, 396, 407, 408,**
D6/462, 463, 464, 465, 466, 467, 468, 475, 476,
473; 211/10, 11, 13, 45, 50; D19/90-92

[56] References Cited

U.S. PATENT DOCUMENTS

D. 167,356	7/1952	Jensen	D6/476 X
D. 171,677	3/1954	Adler	D6/407
D. 189,356	11/1960	Kolkey	D6/475 X
D. 237,849	12/1975	Hale	D6/473 X
1,994,195	3/1935	Hay	D6/462 X
4,342,268	8/1982	Grava	D6/462 X
4,705,178	11/1987	Vail, Sr. et al.	211/126

OTHER PUBLICATIONS

Schöner Wohnen, Dec. 1988, p. 84.
Merchandising Systems, Inc., DISPLAY³.
Page from Armstrong catalog.
Vail Wire 1989 catalog, p. 16.
Omaha Fixture Manufacturing, Inc. 1990 catalog, p. 20.
Merchandising Systems and Display Hardware catalog,
p. 12.

Primary Examiner—Donald P. Walsh
Assistant Examiner—Jeffrey Asch
Attorney, Agent, or Firm—Armstrong, Teasdale,
Schlafly & Davis

[57] CLAIM

The ornamental design for a storage and display rack, as shown and described.

DESCRIPTION

FIG. 1 is a perspective view of a storage and display rack showing our new design;
FIG. 2 is a left side elevational view, the right side being a mirror image thereof;
FIG. 3 is a front elevational view, the rear being a mirror image thereof;
FIG. 4 is a top plan view thereof; and,
FIG. 5 is a bottom plan view thereof.

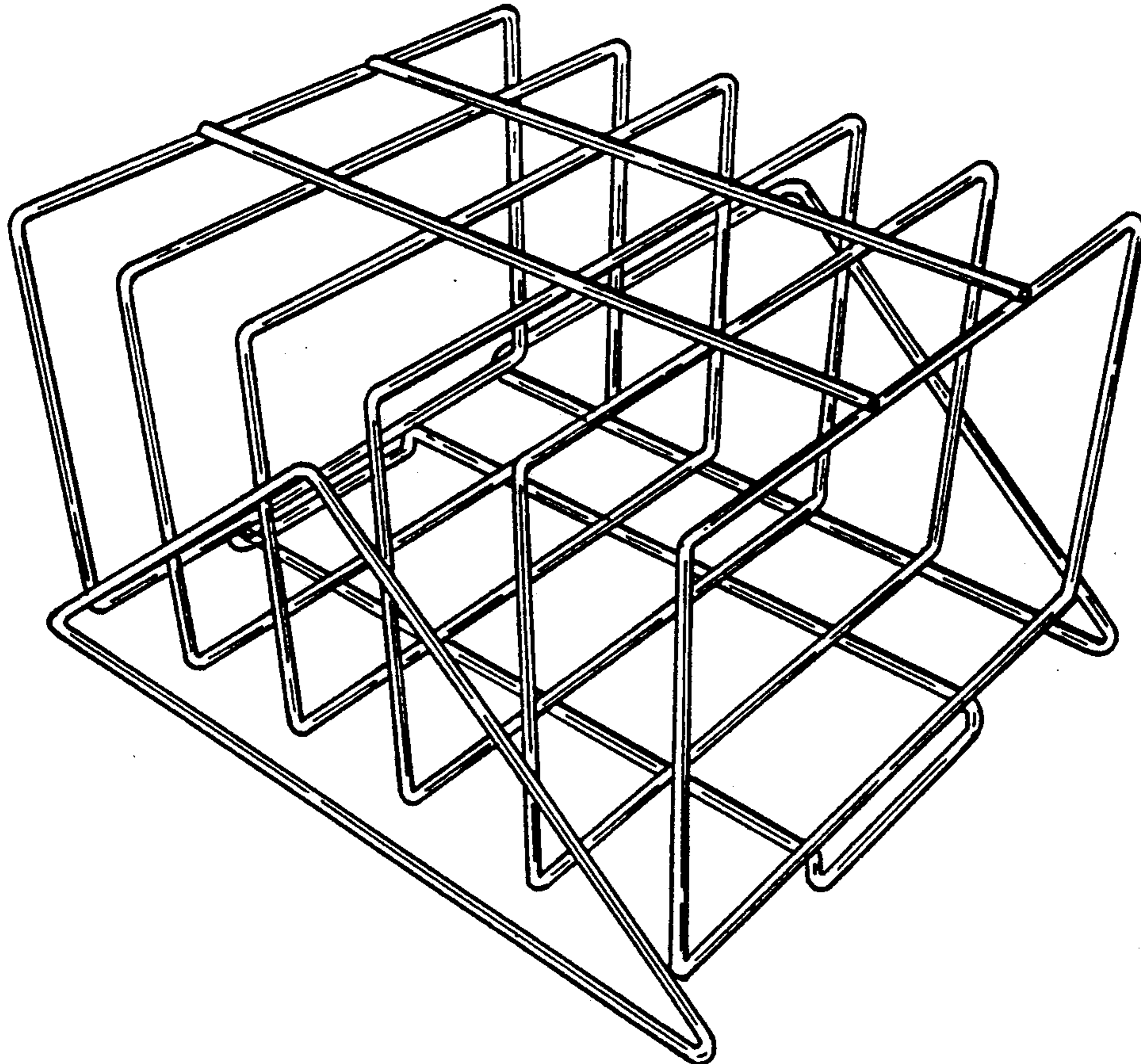


FIG. 1.

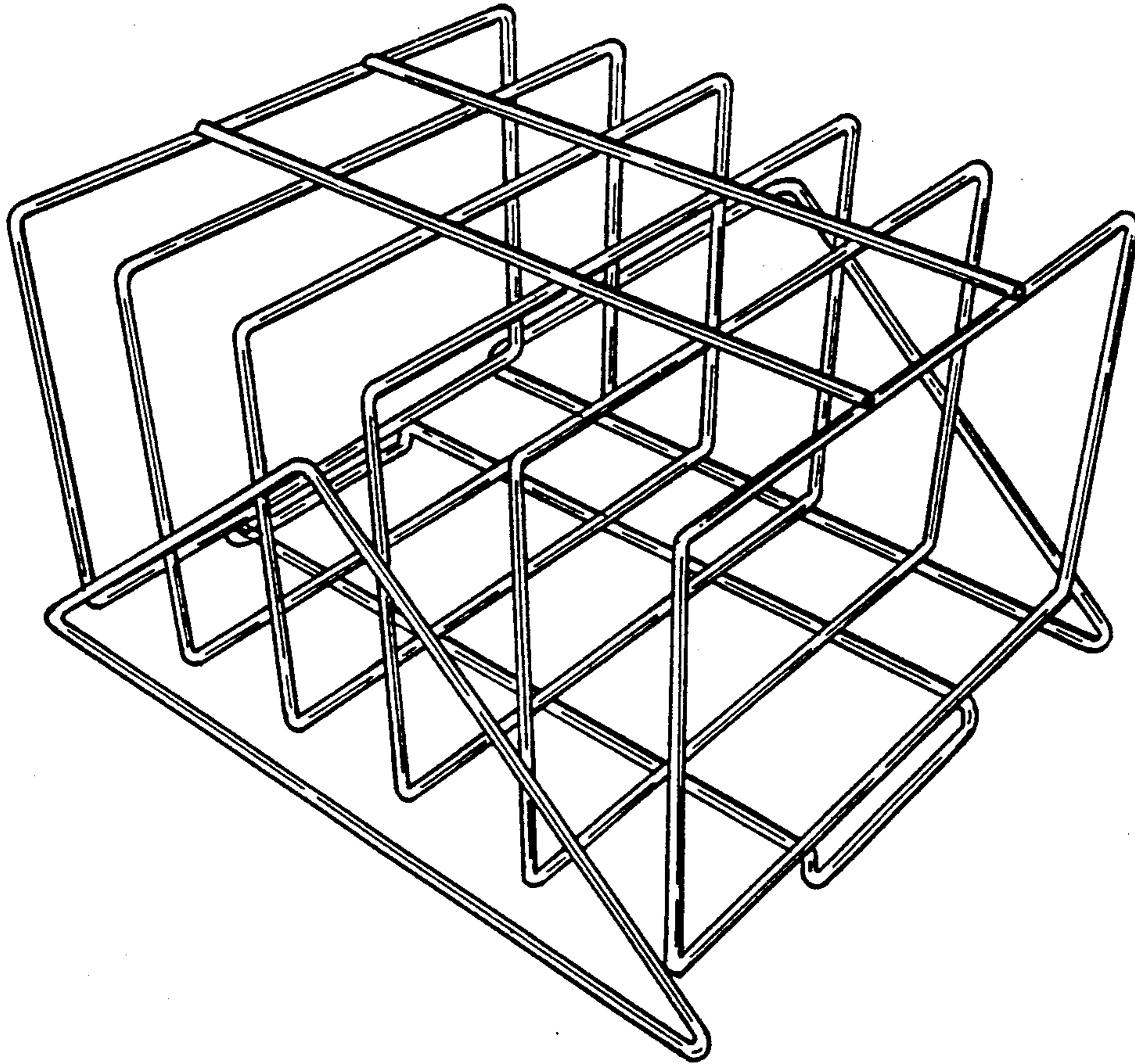
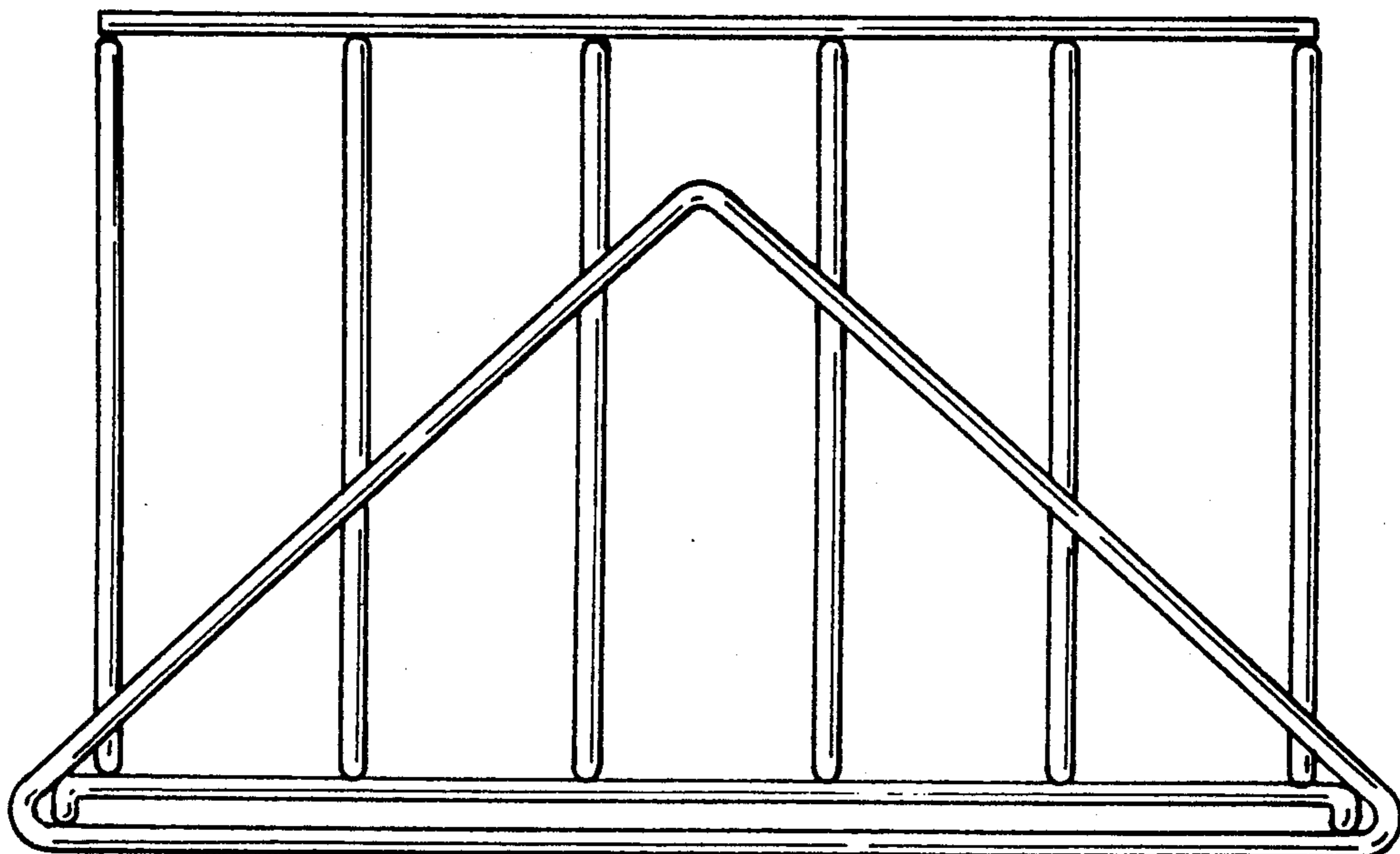


FIG. 2.



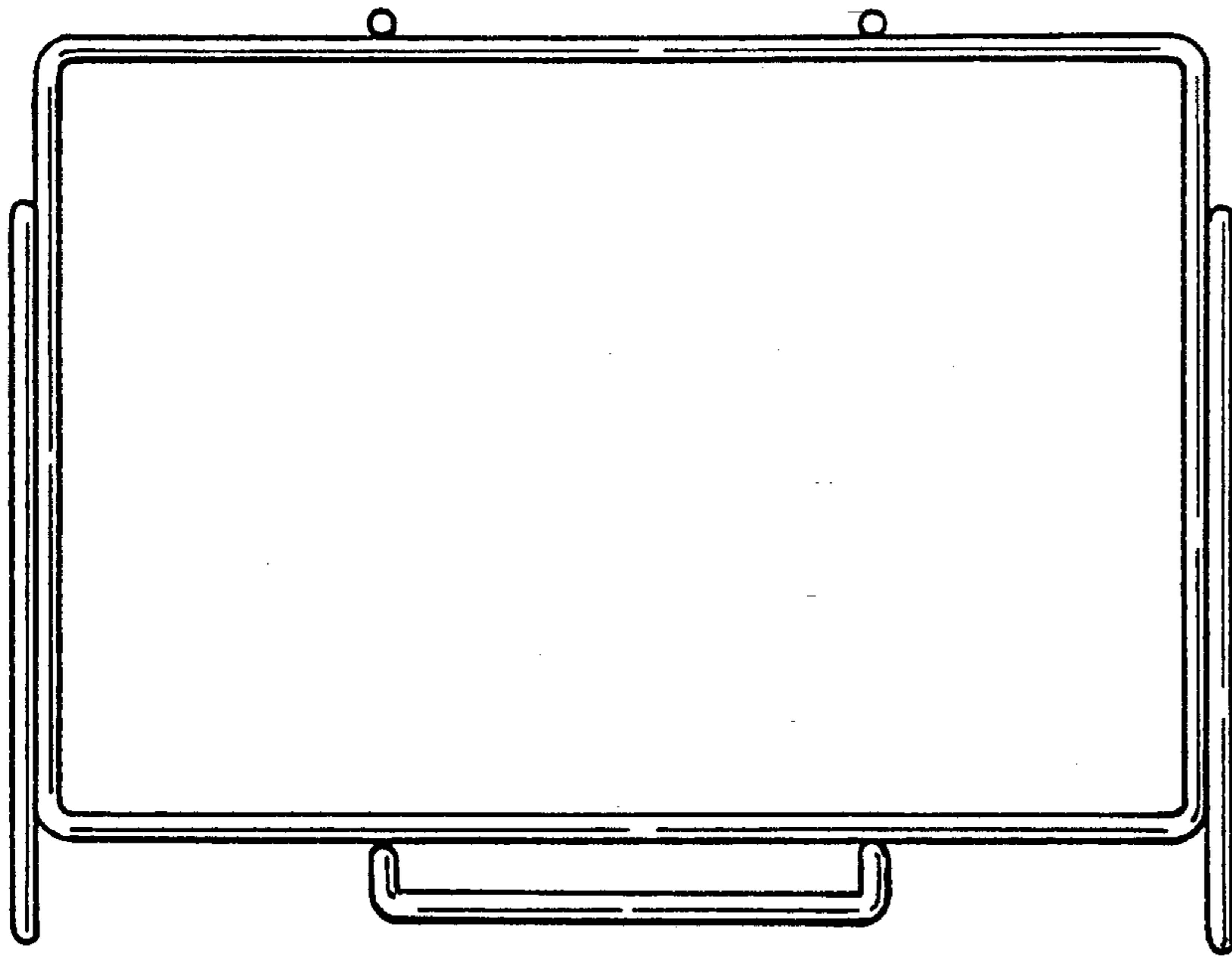


FIG. 3.

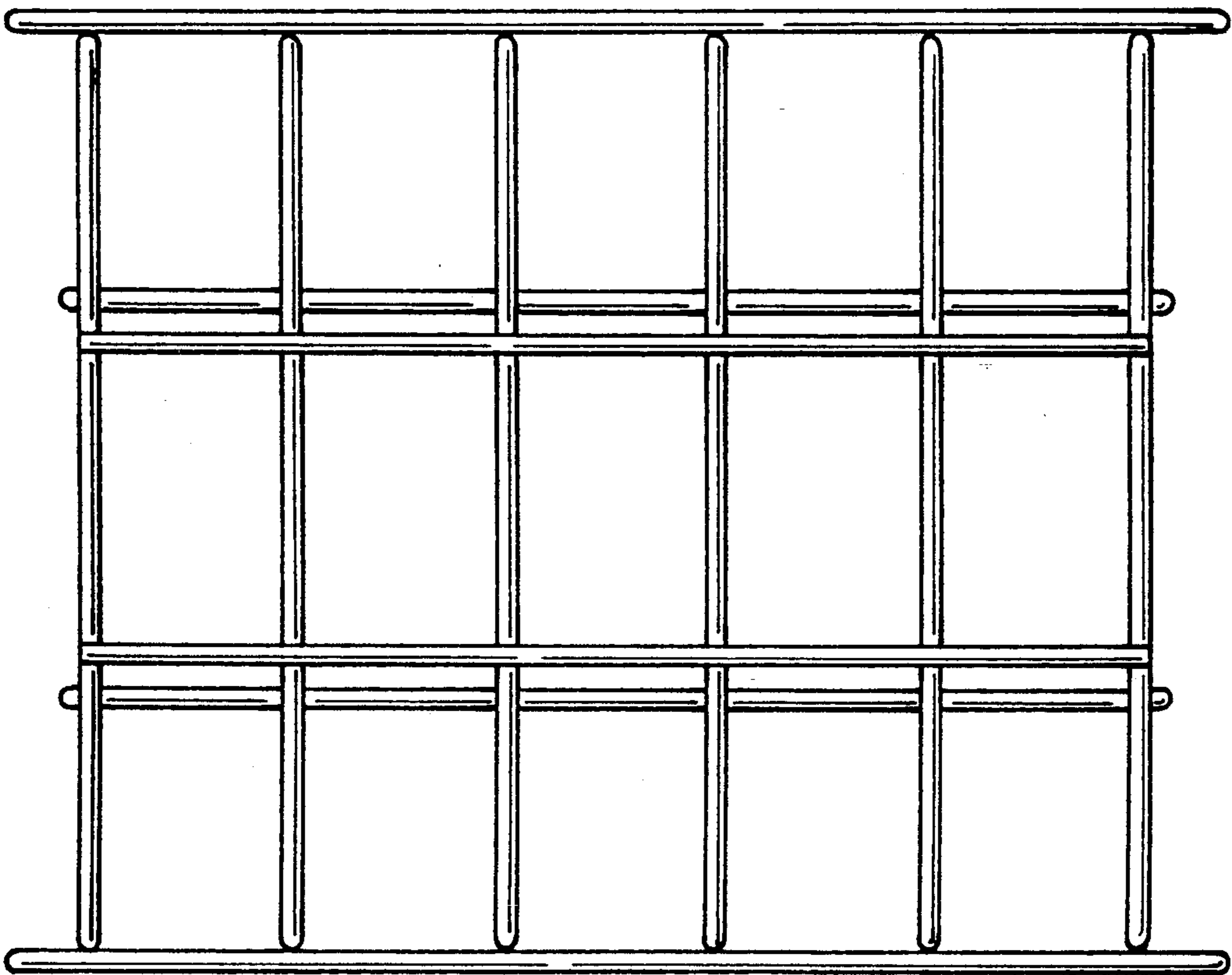


FIG. 4.

FIG. 5.

