



US00D329952S

# United States Patent [19]

[11] Patent Number: **Des. 329,952**

Walter

[45] Date of Patent: **\*\* Oct. 6, 1992**

[54] **DISPLAY STAND FOR APPAREL**

[75] Inventor: **Herbert Walter,**  
Muhlheim-Zunzigen, Fed. Rep. of  
Germany

[73] Assignee: **Fehlbaum & Co., Switzerland**

[\*\*] Term: **14 Years**

[21] Appl. No.: **344,115**

[22] Filed: **Apr. 26, 1989**

[30] **Foreign Application Priority Data**

Nov. 11, 1988 [IB] Int'l Pat. Institute ..... **DM/012 153**

[52] U.S. Cl. .... **D6/411; D6/410;**  
**D6/414; D6/415; 248/165**

[58] Field of Search ..... **D6/411-415,**  
**D6/407, 379, 399, 454, 455; 248/165, 408;**  
**211/40, 42, 43, 70, 70.3**

[56] **References Cited**

### U.S. PATENT DOCUMENTS

D. 195,184 5/1963 Gelles ..... **D6/411**  
D. 196,347 9/1963 Gelles ..... **D6/411**

D. 205,667 9/1966 Rubens ..... **D6/414**  
D. 212,887 12/1968 Toombs ..... **D6/415**  
445,633 2/1891 Becker ..... **248/165**  
4,351,441 9/1982 Schramm ..... **D6/415 X**  
4,624,371 11/1986 Korth ..... **D6/415 X**

### OTHER PUBLICATIONS

*Visual Merchandising And Store Design*, Feb. 1988, p. 45,  
"Ideas", bottom right corner of page.

*Modern Tubular Furniture*, ©1940, p. 33, "No. 168  
Smoker," bottom center of page.

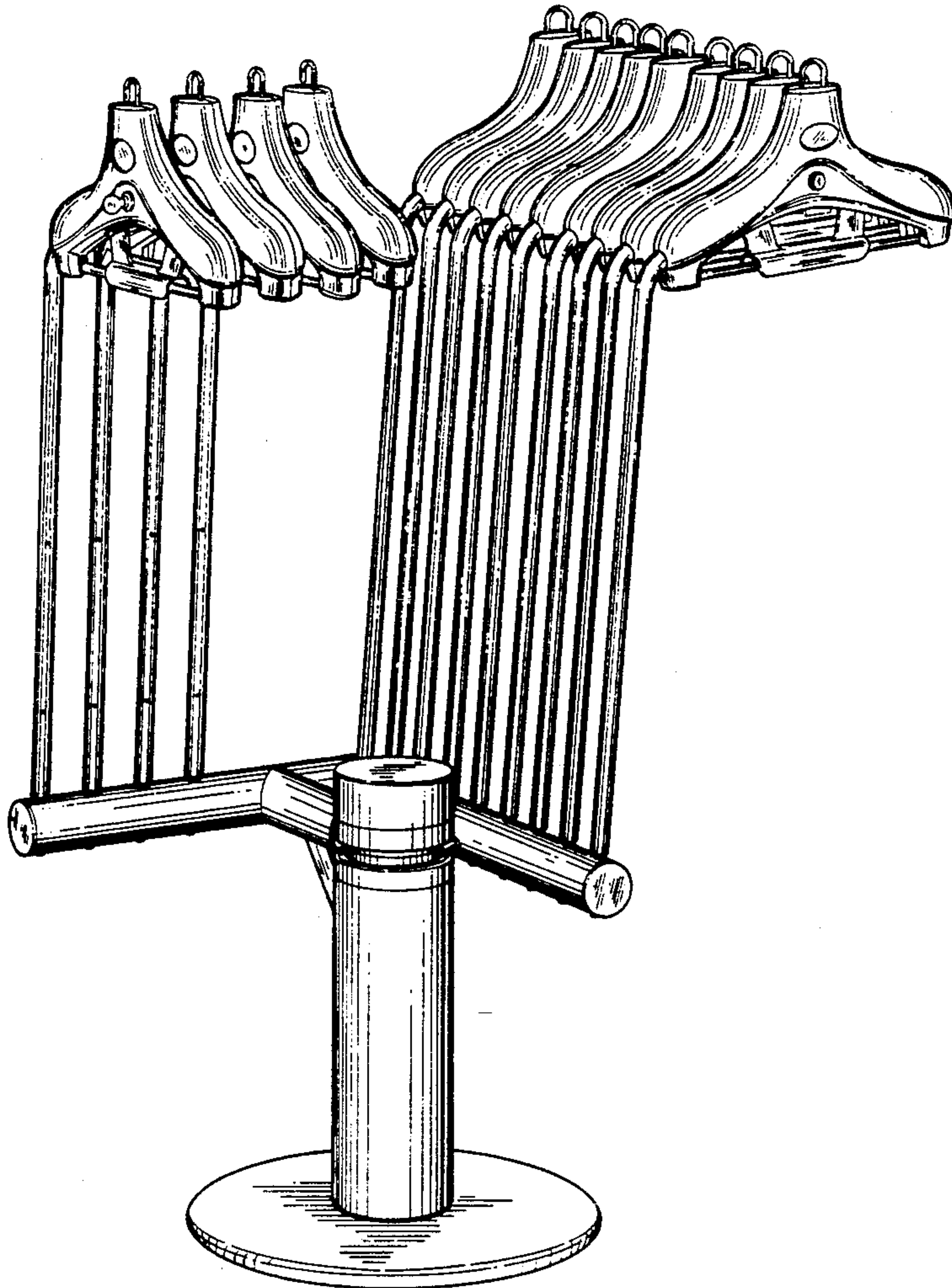
*Primary Examiner*—Donald P. Walsh  
*Assistant Examiner*—Monica A. Hannon  
*Attorney, Agent, or Firm*—Brumbaugh, Graves,  
Donohue & Raymond

### [57] CLAIM

The ornamental design for a display stand for apparel,  
as shown and described.

### DESCRIPTION

FIG. 1 is a perspective view of a display stand for ap-  
parel showing my new design; and,  
FIG. 2 is a top plan view thereof.



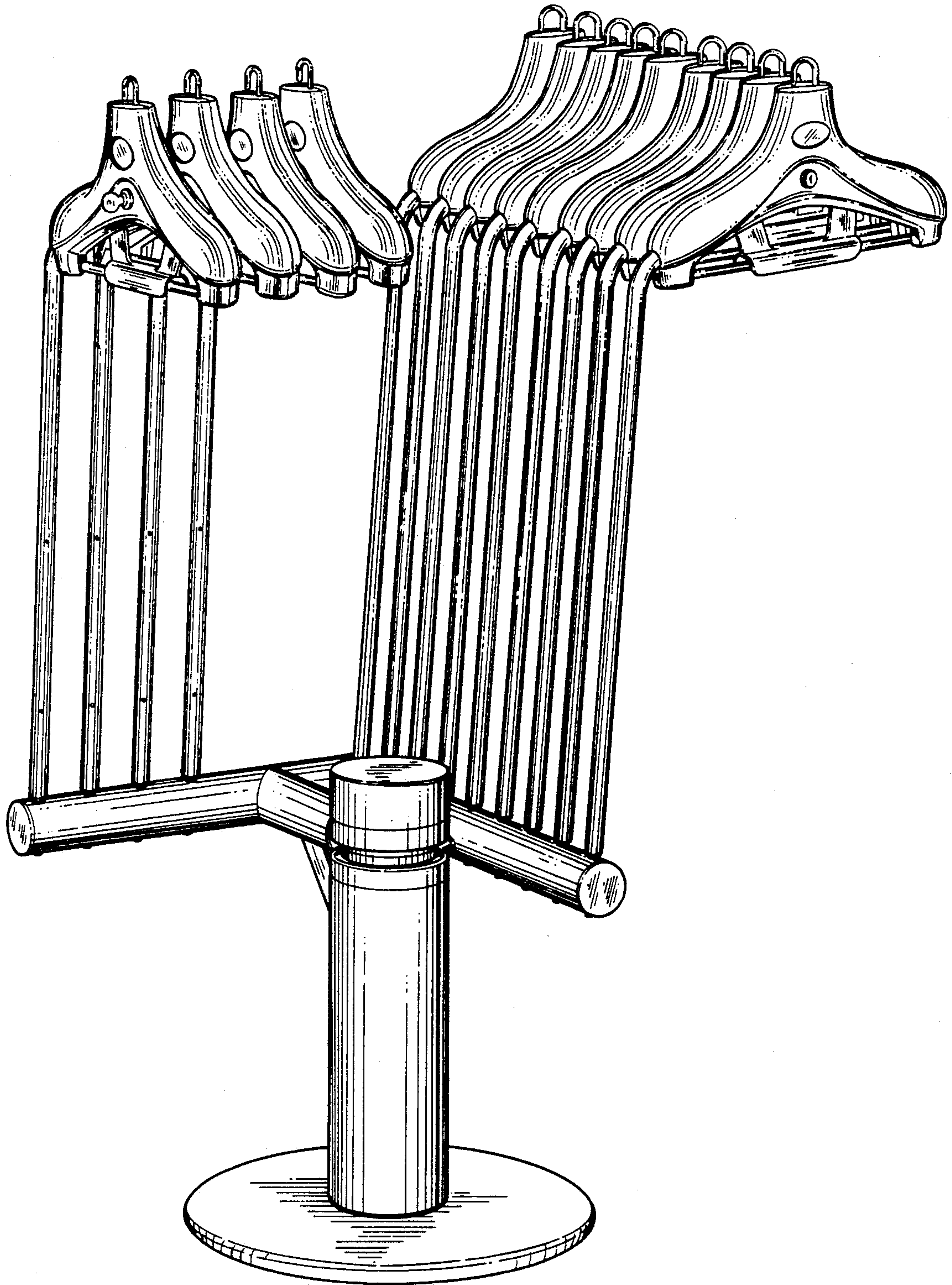


FIG. 1



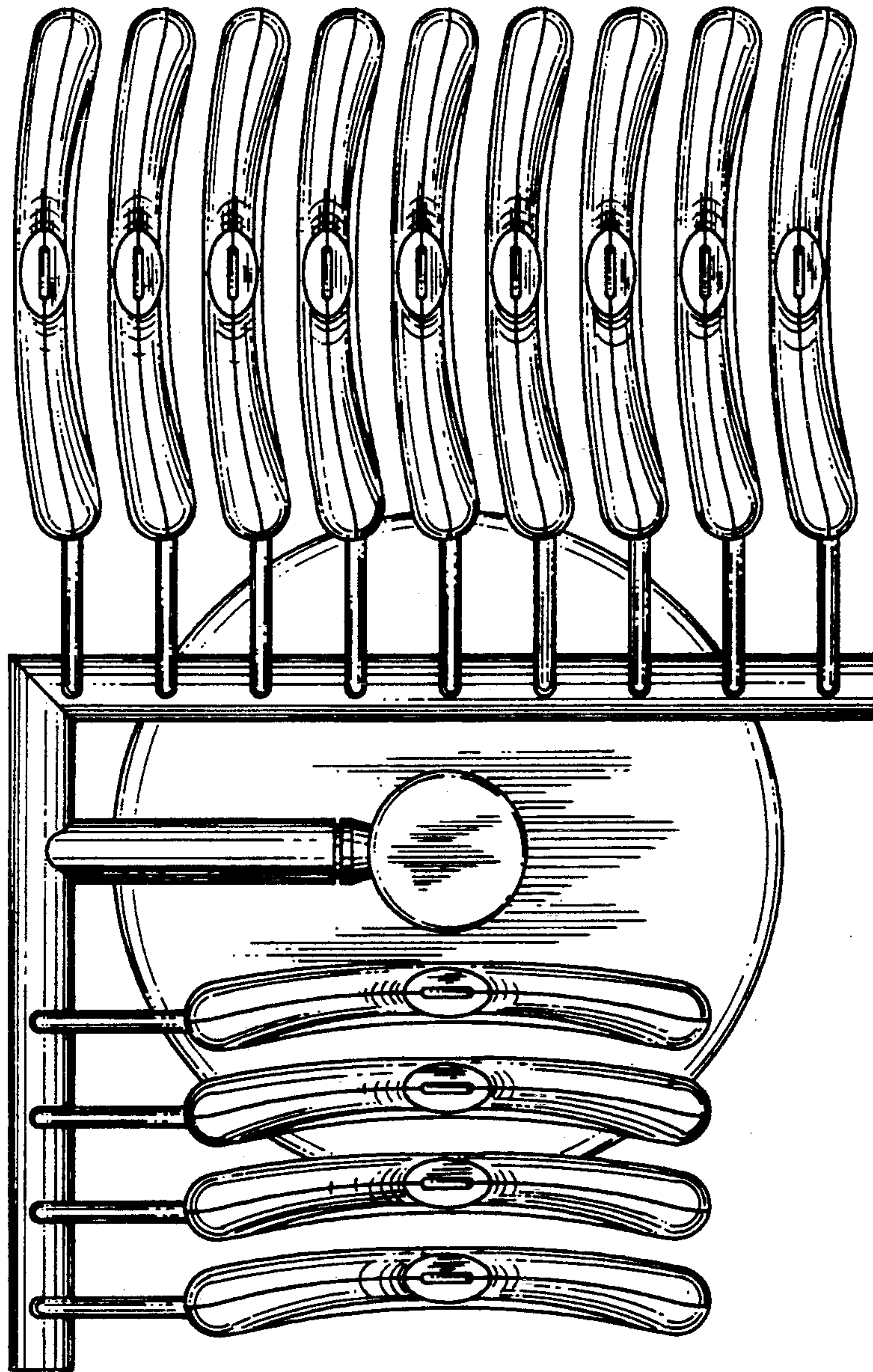


FIG. 2