



US00D329943S

United States Patent [19]

[11] Patent Number: **Des. 329,943**

Laszlo

[45] Date of Patent: **** Oct. 6, 1992**

[54] **CASE FOR HOLDING COMPUTER, VIDEO OR PHONGRAPHIC DISCS OR THE LIKE**

4,892,194 1/1990 Garcia 206/470

[76] Inventor: **George A. Laszlo**, 16 N. Broadway, Apt. No. T6, White Plains, N.Y. 10601

FOREIGN PATENT DOCUMENTS

0190546 2/1985 European Pat. Off. .
2900745 7/1980 Fed. Rep. of Germany .
2248693 10/1973 France .

[**] Term: **14 Years**

Primary Examiner—James M. Gandy
Attorney, Agent, or Firm—Pollock, Vande Sande & Priddy

[21] Appl. No.: **547,095**

[22] Filed: **Jul. 2, 1990**

[57] CLAIM

[52] U.S. Cl. **D3/35**

The ornamental design for a case for holding computer, video or phonographic discs or the like, as shown and described.

[58] Field of Search D19/2, 3, 1, 26, 27, D19/28, 32, 33; D3/30.1, 35; 206/232, 387, 309, 310, 311, 312, 313, 444; 229/72; 40/361; 402/75

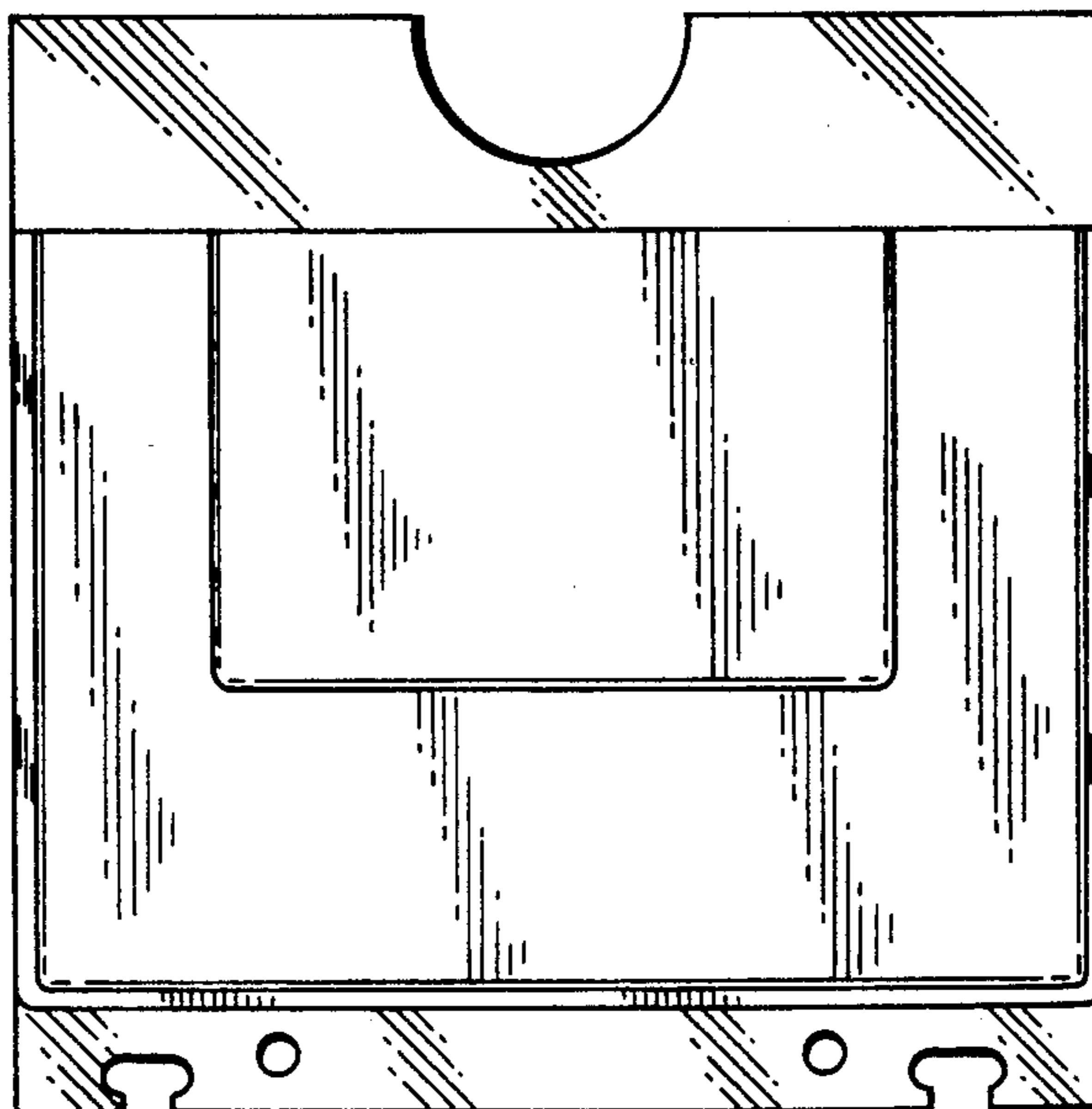
DESCRIPTION

[56] References Cited

U.S. PATENT DOCUMENTS

2,303,28	11/1942	Allen	281/34
D. 286,463	11/1986	Sfikas	D19/2 X
D. 312,656	12/1990	Huber	D19/3
501,431	7/1893	Lambert	.
1,500,098	7/1924	Alter	402/75 X
2,771,076	11/1956	Peter	206/312
3,299,929	1/1967	Shagin et al.	150/39
3,464,135	9/1969	Eidinger	206/232 X
3,515,268	6/1970	Lindberg et al.	206/47
3,604,556	9/1971	Schwartz	206/387
3,696,538	10/1972	Nast	40/361 X
3,797,146	3/1974	Holes	40/104.18
3,979,051	9/1976	Close	D19/3 X
4,549,658	10/1985	Sfikas	206/614
4,588,321	5/1986	Egly	402/77
4,687,101	8/1987	Barker, Sr. et al.	206/312 X
4,793,477	12/1988	Manning et al.	206/236
4,832,372	5/1989	Young	281/31
4,850,731	7/1989	Youngs	402/79
4,884,691	12/1989	Behrens et al.	206/440

FIG. 1 is a front elevational view showing my new design of a first embodiment of a case for holding computer, video or phonographic discs or the like;
 FIG. 2 is a rear elevational view thereof;
 FIG. 3 is a top plan view thereof;
 FIG. 4 is a bottom plan view thereof;
 FIG. 5 is a side elevational view thereof;
 FIG. 6 is a top plan view showing my new design of a second embodiment of a case for holding computer, video or phonographic discs or the like;
 FIG. 7 is a bottom plan view thereof;
 FIG. 8 is a side elevational view thereof;
 FIG. 9 is a front elevational view showing my new design of a third embodiment of a case for holding computer, video or phonographic discs or the like;
 FIG. 10 is a rear elevational view thereof;
 FIG. 11 is a top plan view thereof;
 FIG. 12 is a bottom plan view thereof; and,
 FIG. 13 is a side elevational view thereof.
 It is understood that the undisclosed front and rear elevational views of the second embodiment are the same as FIG. 1 of the first embodiment.



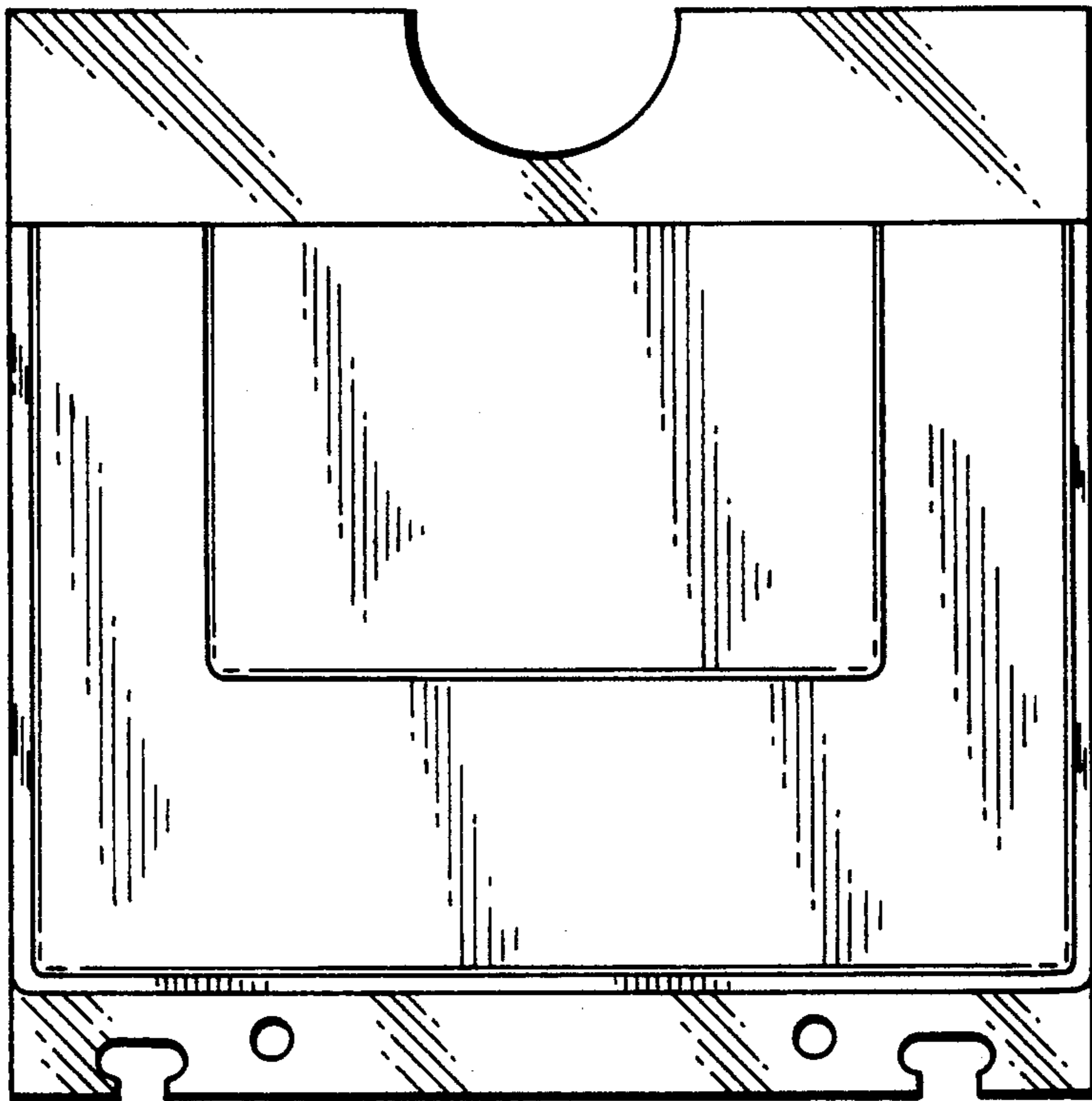


FIG. 1

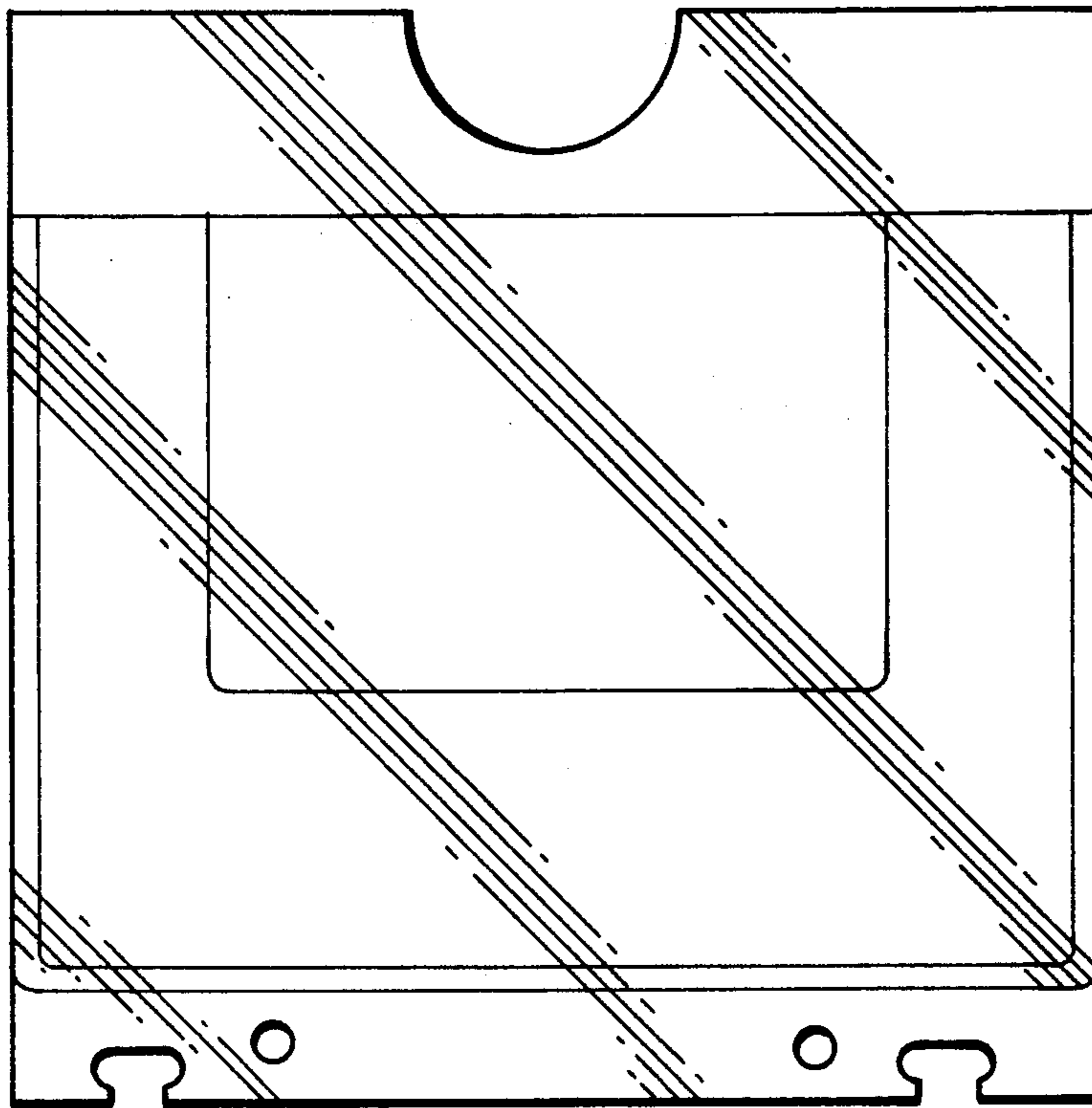


FIG. 2

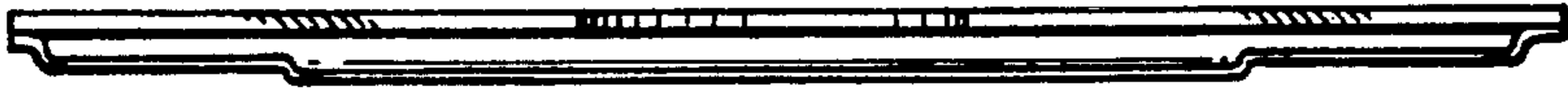


FIG. 3



FIG. 4



FIG. 5

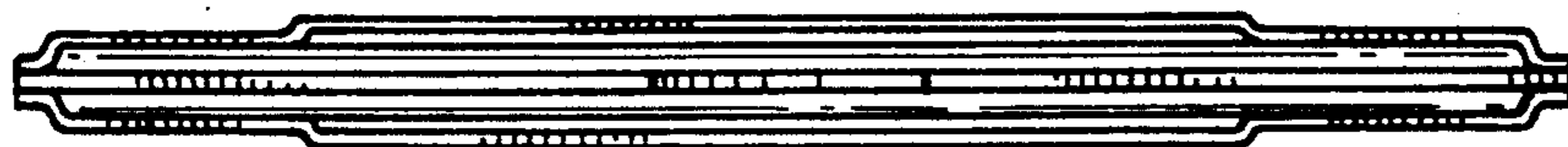


FIG. 6



FIG. 7



FIG. 8

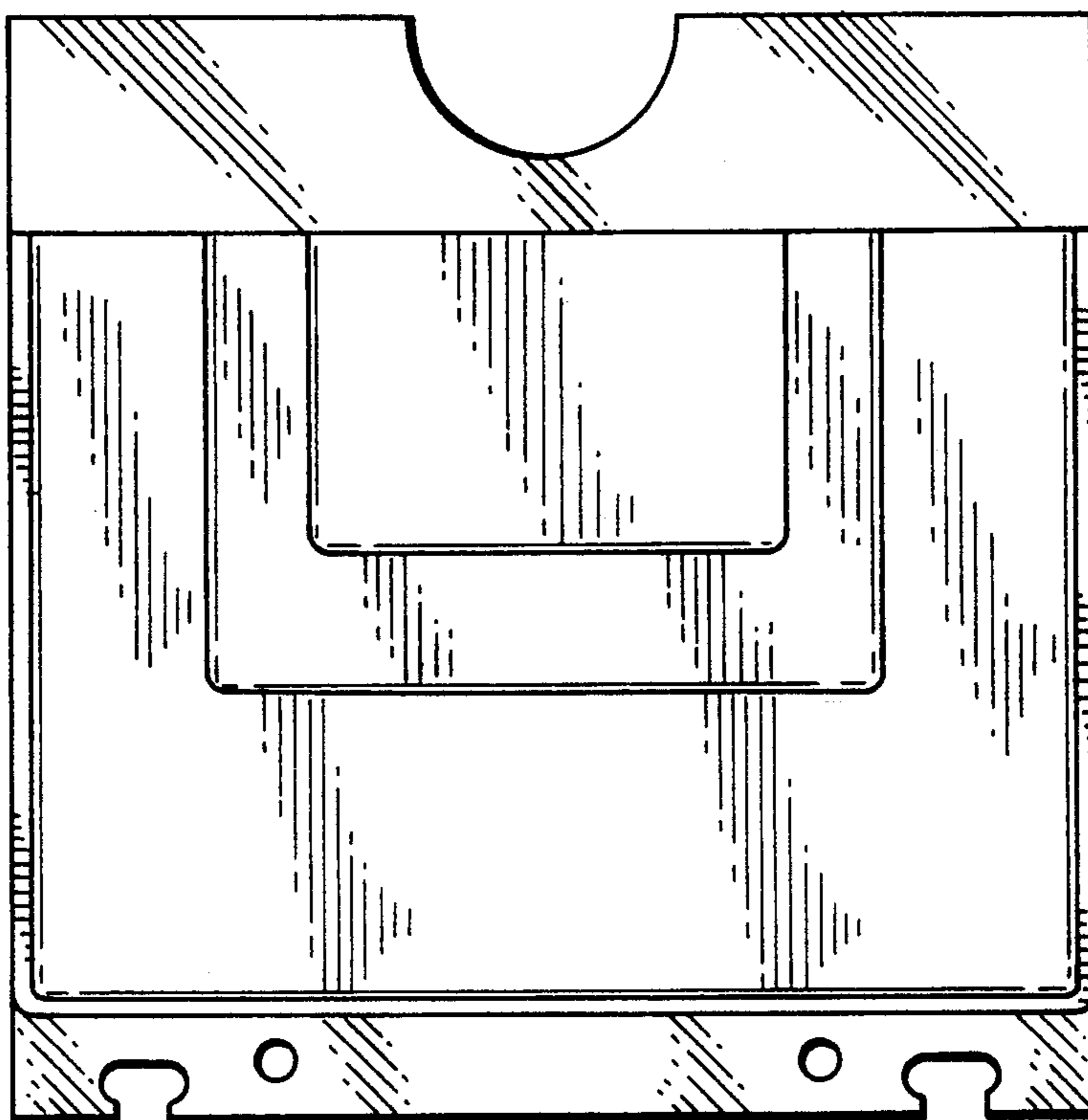


FIG. 9

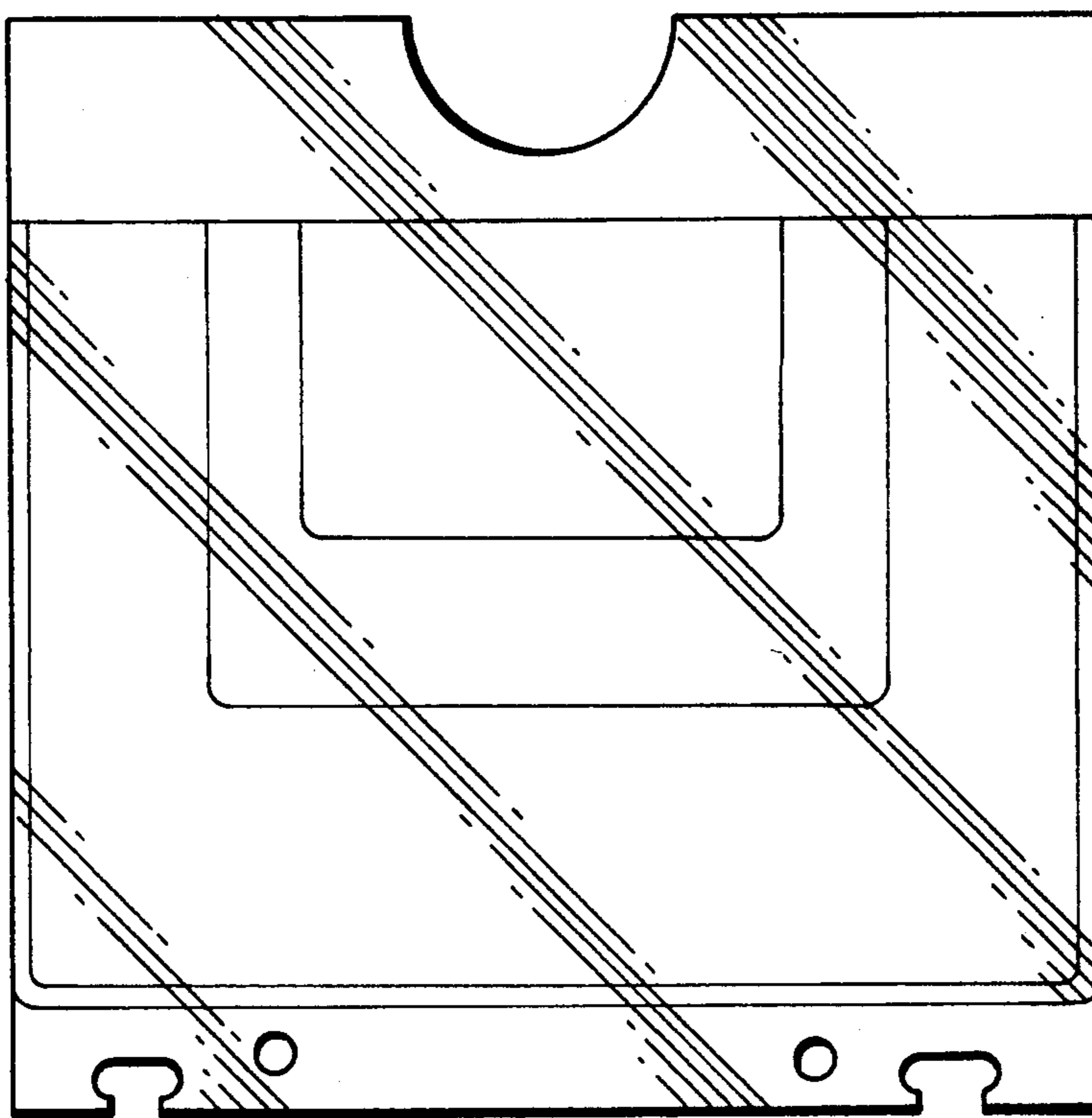


FIG. 10

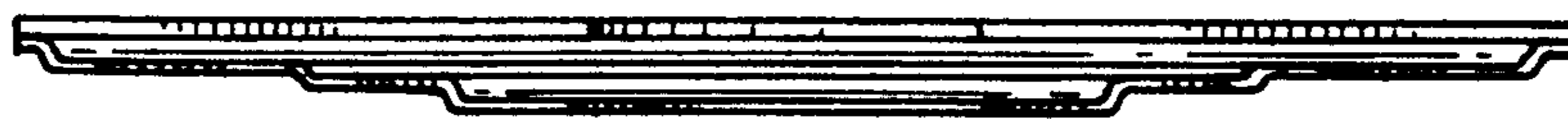


FIG. 11



FIG. 12



FIG. 13