



US00D329938S

United States Patent [19]

[11] Patent Number: **Des. 329,938**

Lucas

[45] Date of Patent: **** Oct. 6, 1992**

[54] **SHOE MIDSOLE**

[75] Inventor: **Robert J. Lucas, Portland, Oreg.**

[73] Assignees: **Nike, Inc., Beaverton, Oreg.; Nike International, Ltd., Bermuda**

[**] Term: **14 Years**

[21] Appl. No.: **806,535**

[22] Filed: **Dec. 13, 1991**

[52] U.S. Cl. **D2/318**

[58] Field of Search **D2/264, 265, 274, 308-314, D2/317-322; 36/25 R, 28, 29, 32 R, 43, 44, 83, 89, 102-107, 114, 132, 136, 137**

[56] **References Cited**

U.S. PATENT DOCUMENTS

D. 310,442	9/1990	Hatfield	D2/314
D. 312,918	12/1990	Aveni	D2/314
D. 313,113	12/1990	Aveni	D2/320
D. 321,776	11/1991	Hatfield	D2/314
D. 322,711	12/1991	Hatfield	D2/314
4,546,556	10/1985	Stubblefield	36/32 R
4,676,010	6/1987	Cheskin	36/32 R
4,817,304	4/1989	Parker et al.	36/24 X

OTHER PUBLICATIONS

The Fall 1990 Nike Footwear Catalog, published Jan., 1990, pp. 3-5.

The Fall 1991 Nike Footwear Catalog, published Jan., 1991, pp. 6-9, 10-11 and 16-17.

The Spring 1991 Nike Footwear Catalog, published Jun., 1990, pp. 8-9.

Primary Examiner—Louis S. Zarfes
Attorney, Agent, or Firm—Banner, Birch, McKie & Beckett

[57] **CLAIM**

The ornamental design for a shoe midsole, as shown and described.

DESCRIPTION

FIG. 1 is a side elevational view of one side of a shoe midsole showing my new design;
 FIG. 2 is a side elevational view of the other side of the shoe midsole shown in FIG. 1;
 FIG. 3 is a front elevational view of the shoe midsole shown in FIG. 1;
 FIG. 4 is a rear elevational view of the shoe midsole shown in FIG. 1;
 FIG. 5 is a sectional view taken along line 5—5 of FIG. 1;
 FIG. 6 is a sectional view taken along line 6—6 of FIG. 1; and,
 FIG. 7 is a sectional view taken along line 7—7 of FIG. 1.
 The broken line showing of a shoe upper and a shoe outsole in FIGS. 1-4 is for illustrative purposes only and forms no part of the claimed design.

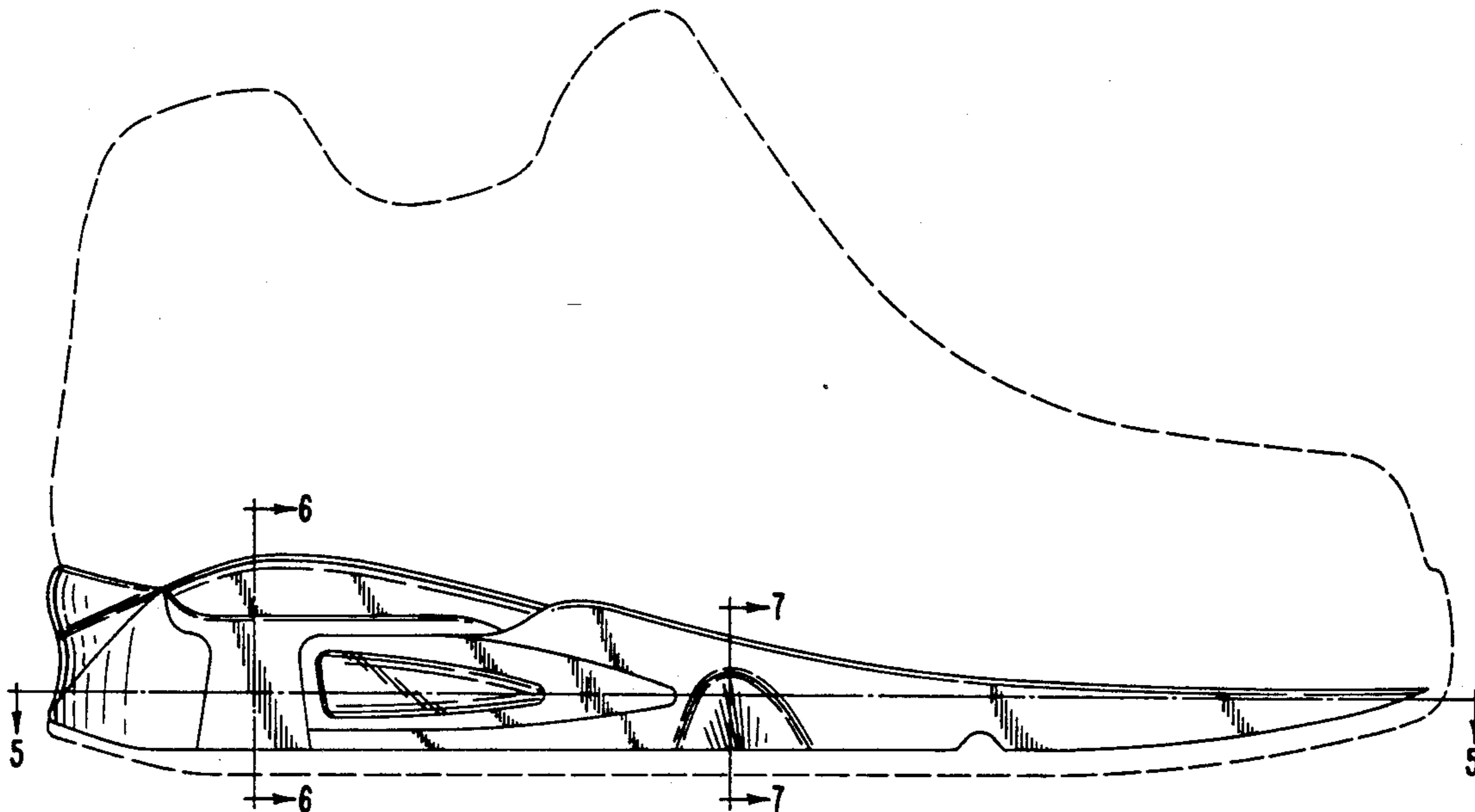
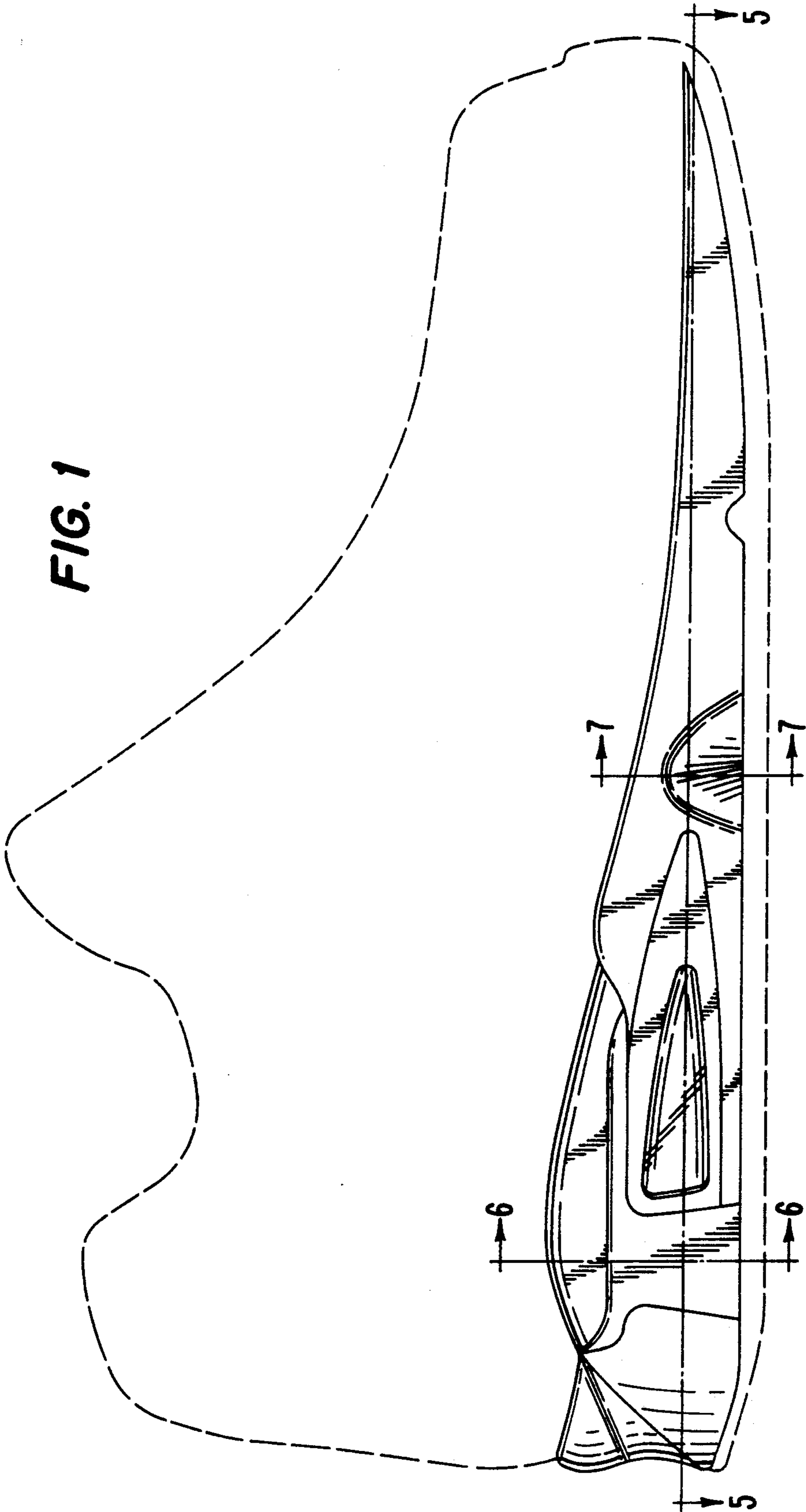


FIG. 1



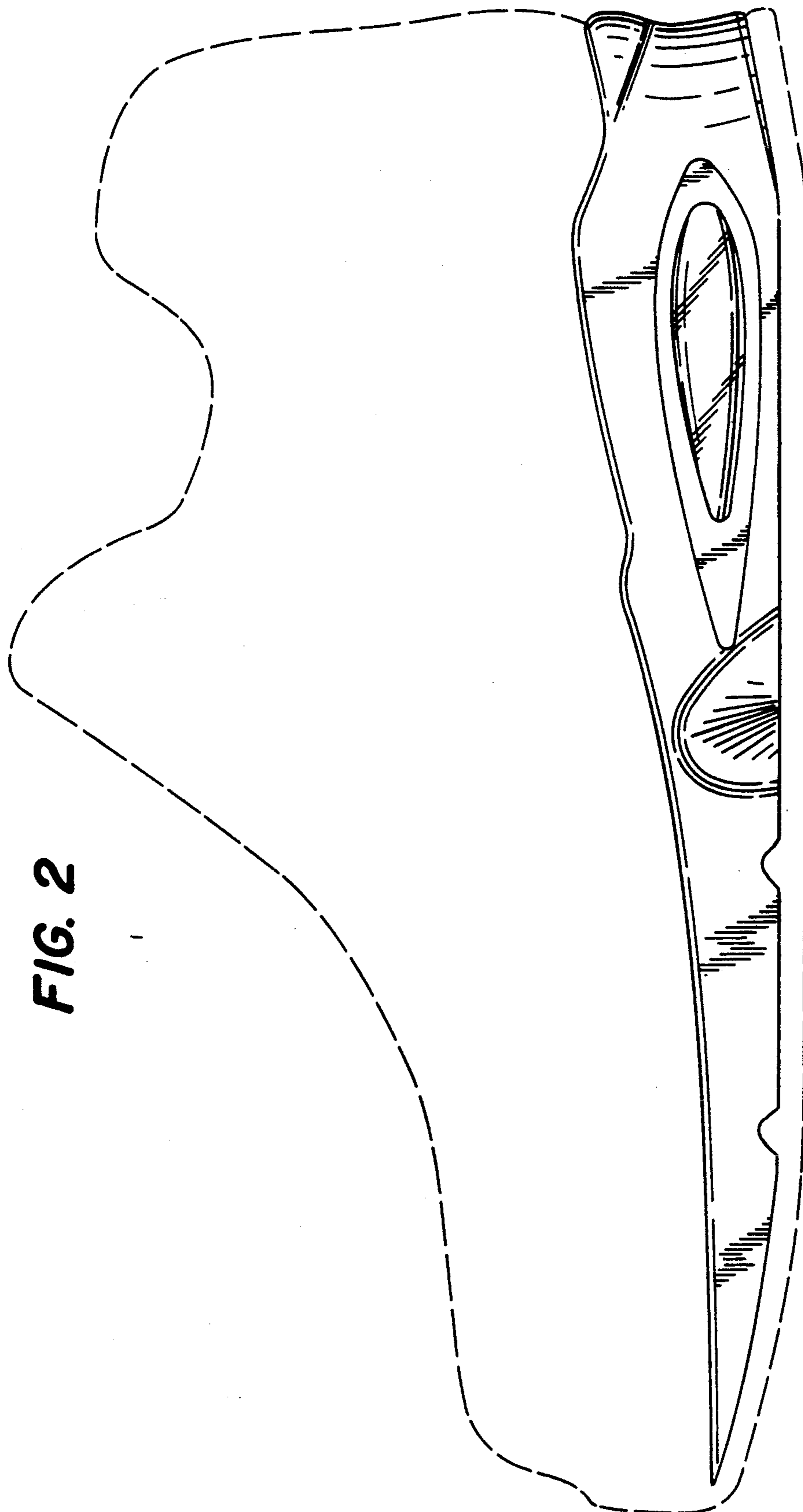


FIG. 2

FIG. 4

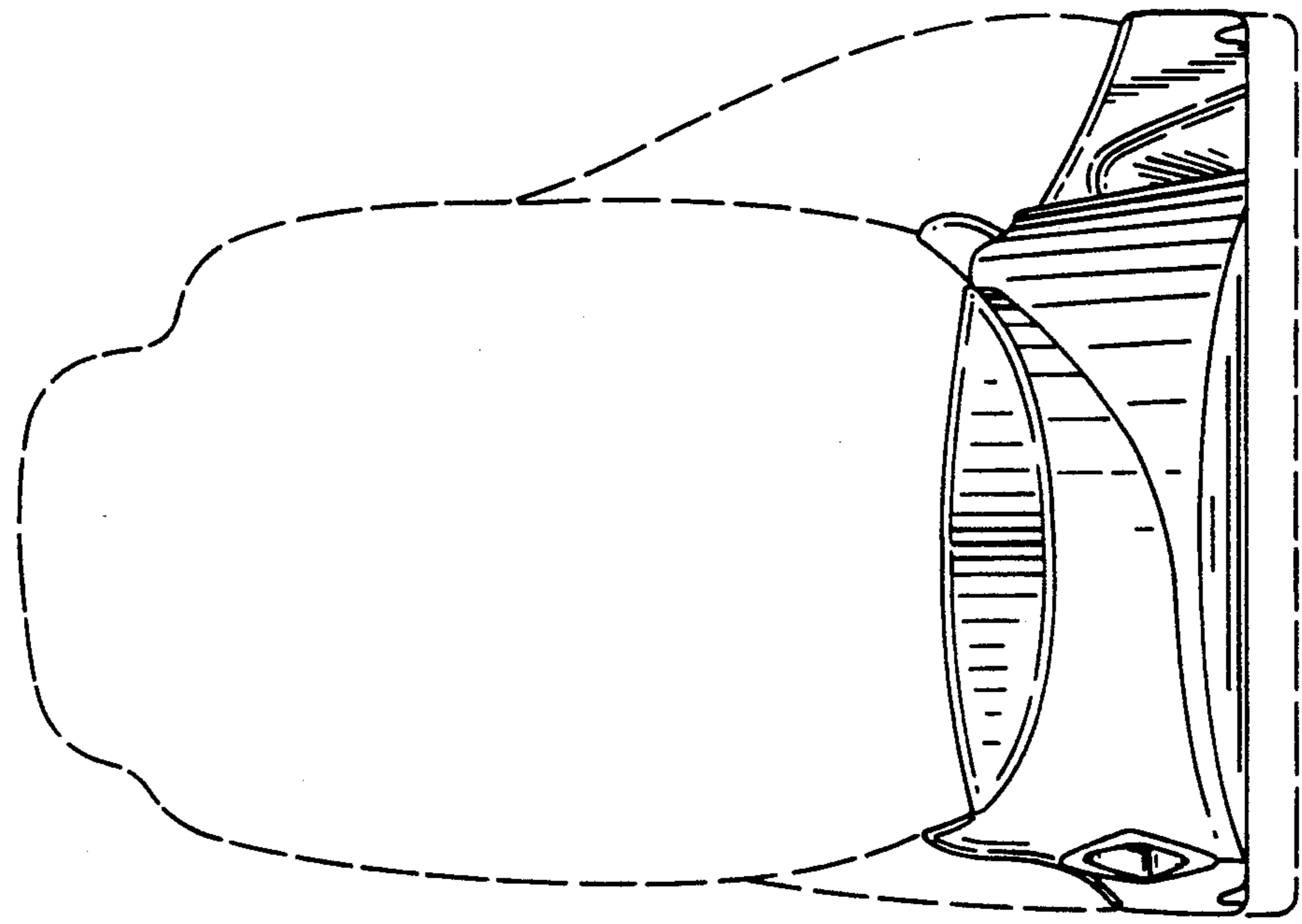


FIG. 3

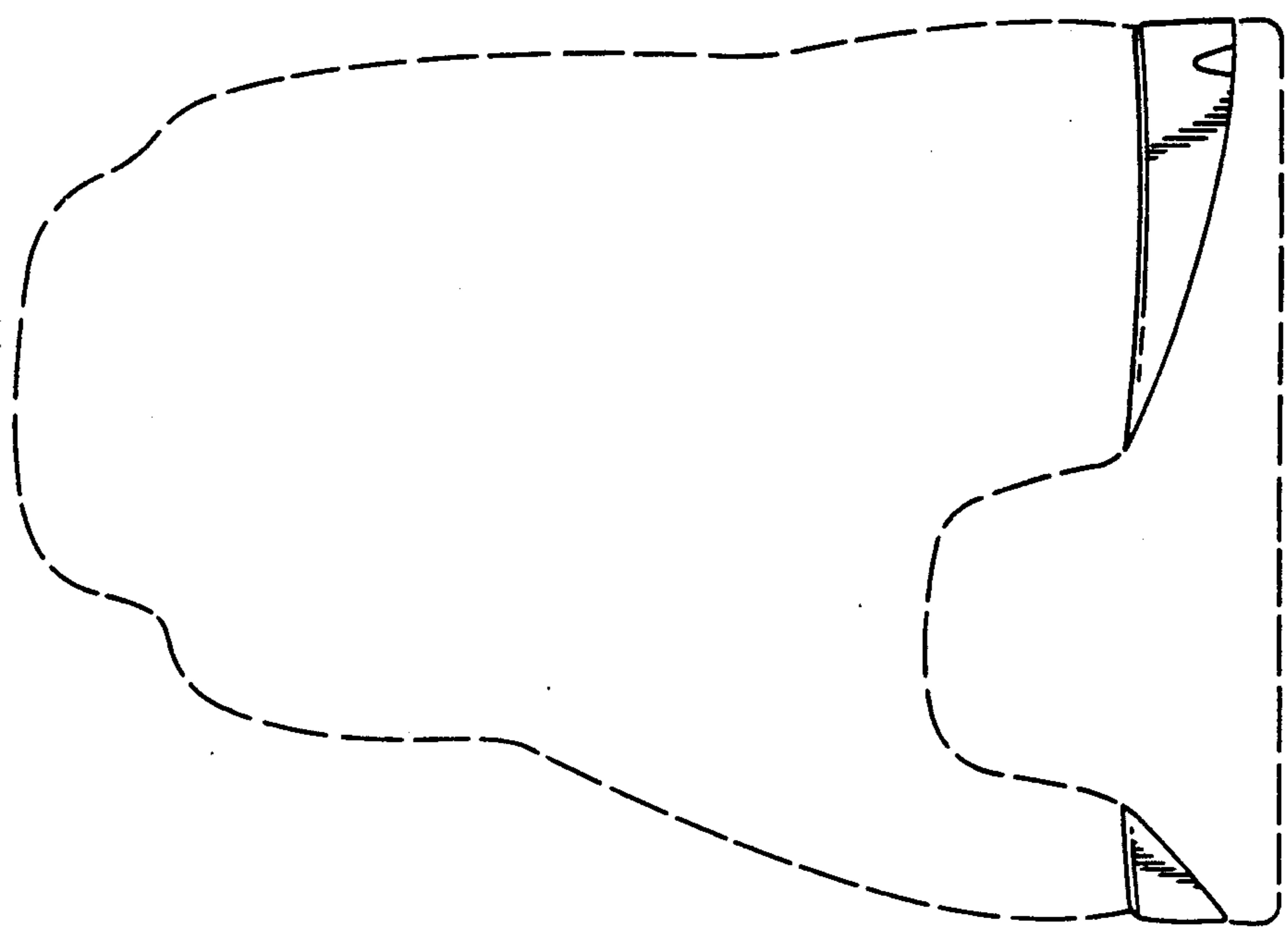


FIG. 5

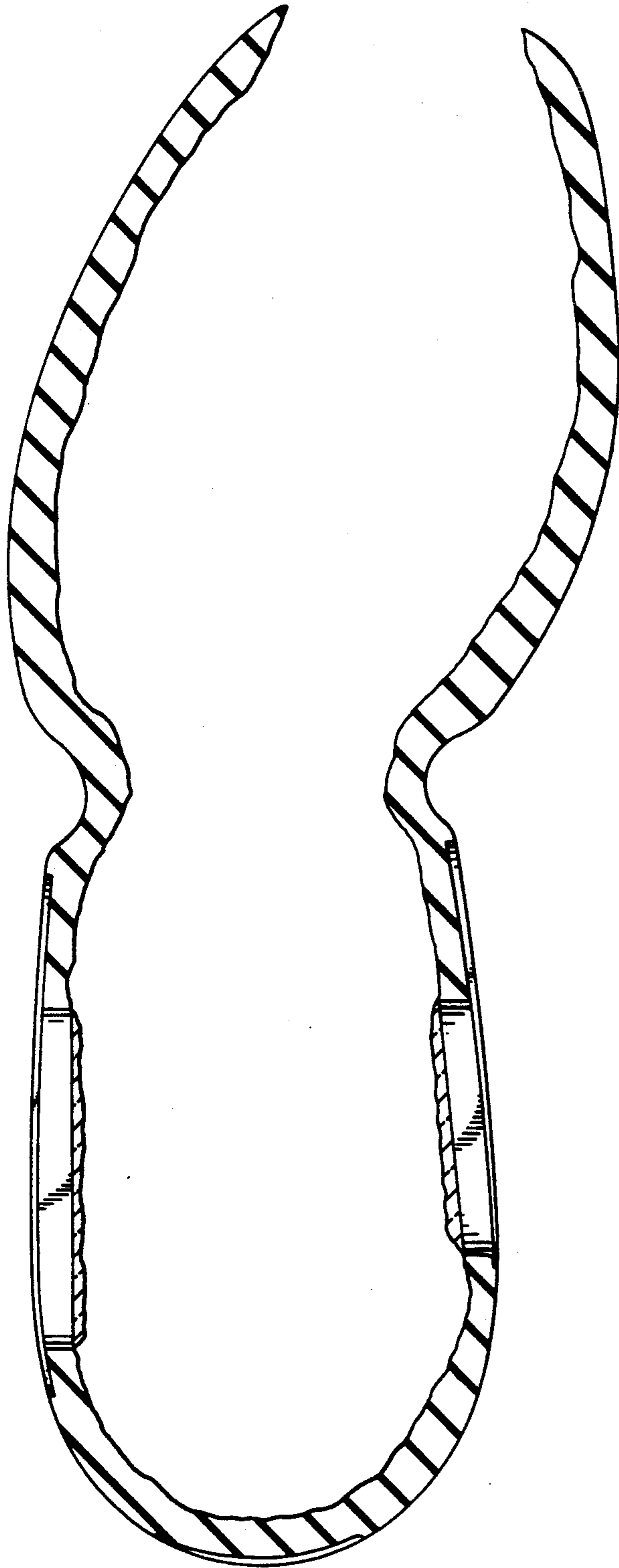


FIG. 6



FIG. 7

