



US00D329933S

United States Patent [19]

[11] Patent Number: **Des. 329,933**

Perkitny

[45] Date of Patent: **** Sep. 29, 1992**

[54] COIN BANK

[75] Inventor: **Jerzy Perkitny, Bay Village, Ohio**

[73] Assignee: **Mag-Nif, Inc., Mentor, Ohio**

[**] Term: **14 Years**

[21] Appl. No.: **525,479**

[22] Filed: **May 18, 1990**

[52] U.S. Cl. **D99/35**

[58] Field of Search **D99/35; 194/242, 240, 194/245, 242**

[56] References Cited

U.S. PATENT DOCUMENTS

D. 289,218	4/1987	Divnick	D99/35
D. 296,029	5/1988	Knox	D99/35
3,840,173	10/1974	Rolff	D99/35 X
4,871,055	10/1989	Poyihress et al.	D99/35 X
4,987,990	1/1991	Perkitny	D99/35 X

OTHER PUBLICATIONS

Mag-Nif Catalog, pp. 1-3, 1989.

Primary Examiner—Donald P. Walsh

Assistant Examiner—J. H. Musgrove

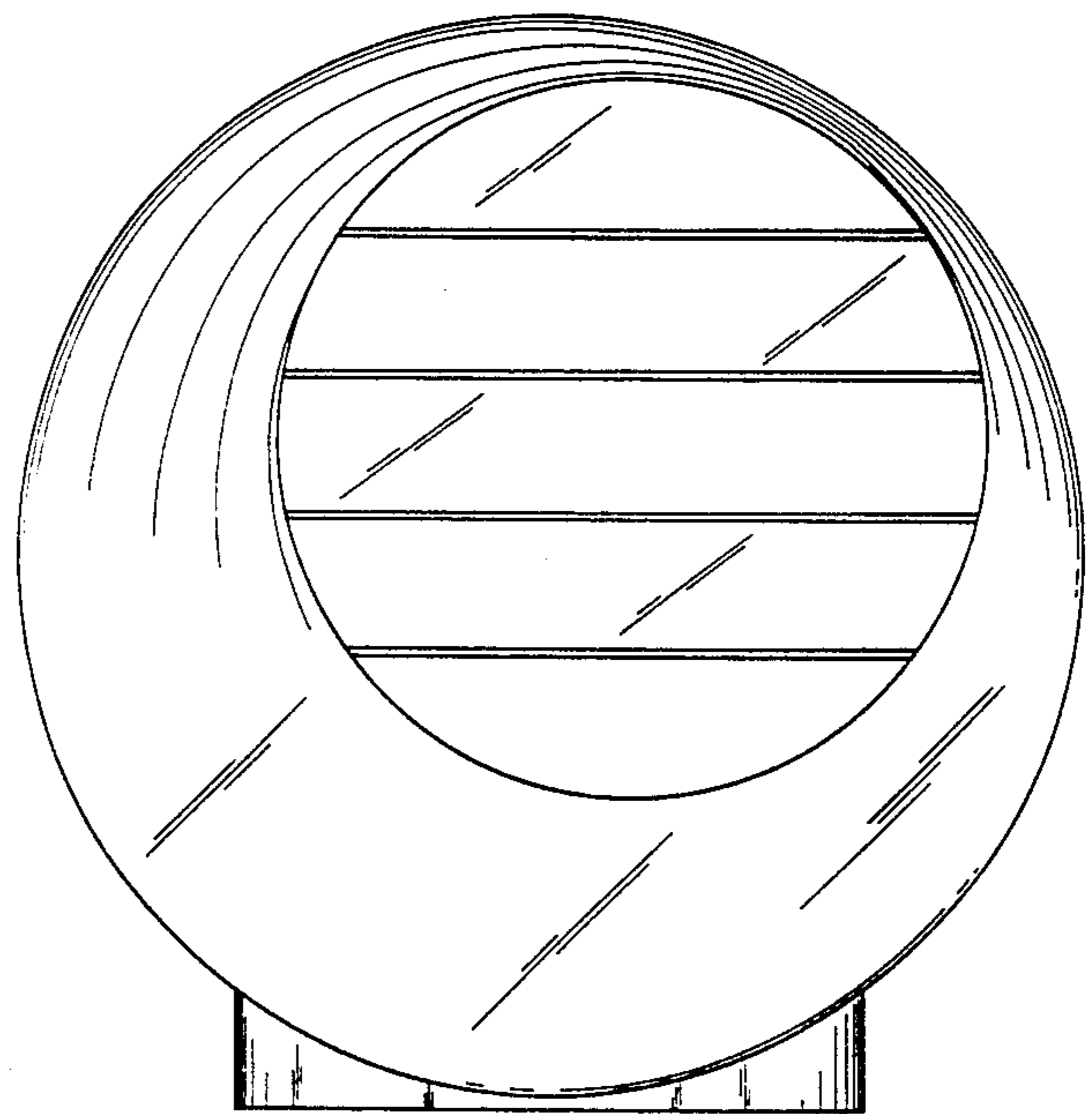
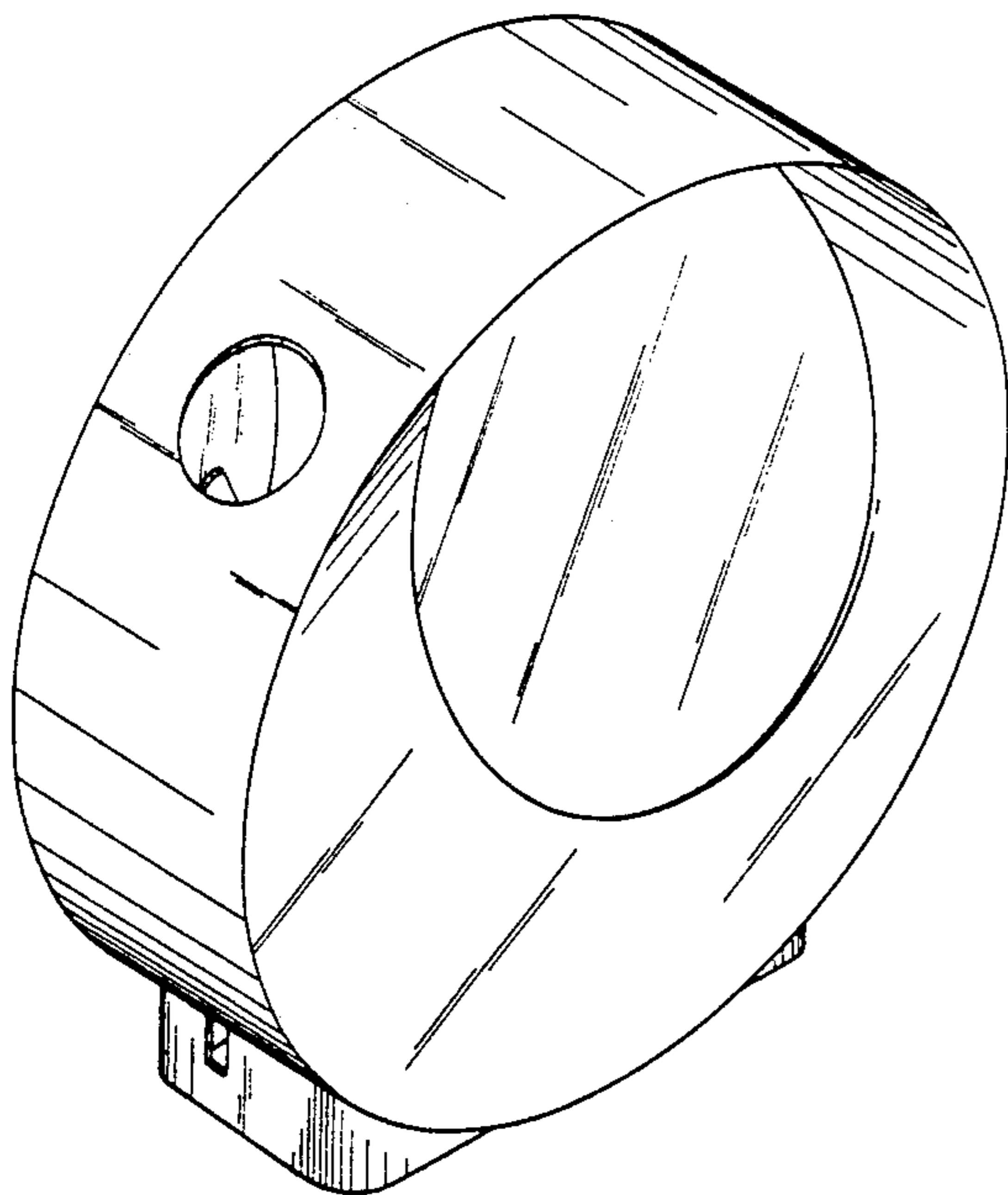
Attorney, Agent, or Firm—Watts, Hoffmann, Fisher & Heinke

[57] CLAIM

The ornamental design for a coin bank, as shown and described.

DESCRIPTION

FIG. 1 is a top, front and left perspective view of a coin bank showing my new design;
 FIG. 2 is a front elevational view thereof;
 FIG. 3 is a rear elevational view thereof;
 FIG. 4 is a right side elevational view thereof;
 FIG. 5 is a left side elevational view thereof;
 FIG. 6 is a top plan view thereof;
 FIG. 7 is a bottom plan view thereof; and,
 FIG. 8 is a front elevational view of a second embodiment of FIGS. 1-7 showing my new design, all other views being identical.



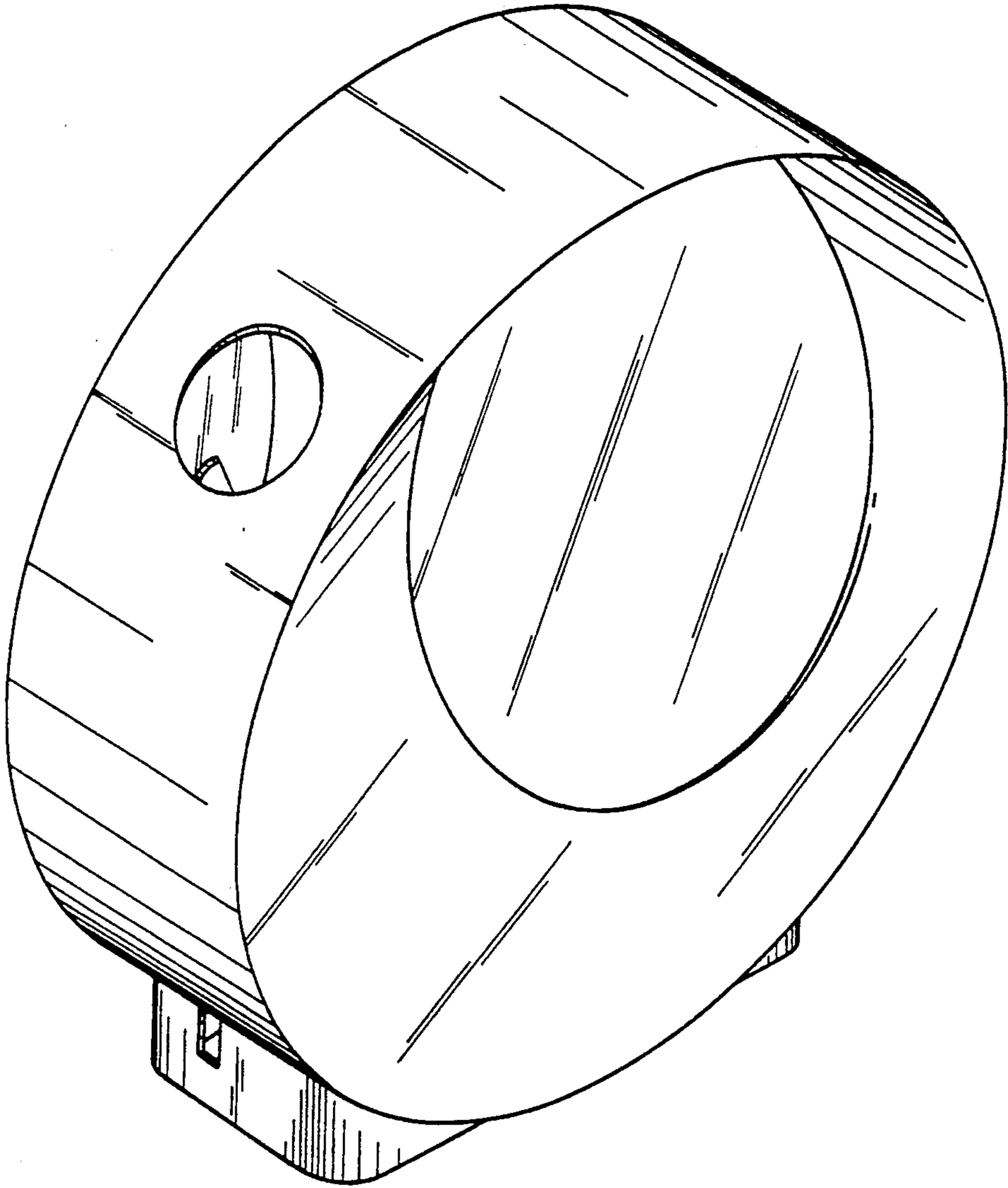


FIG. 1

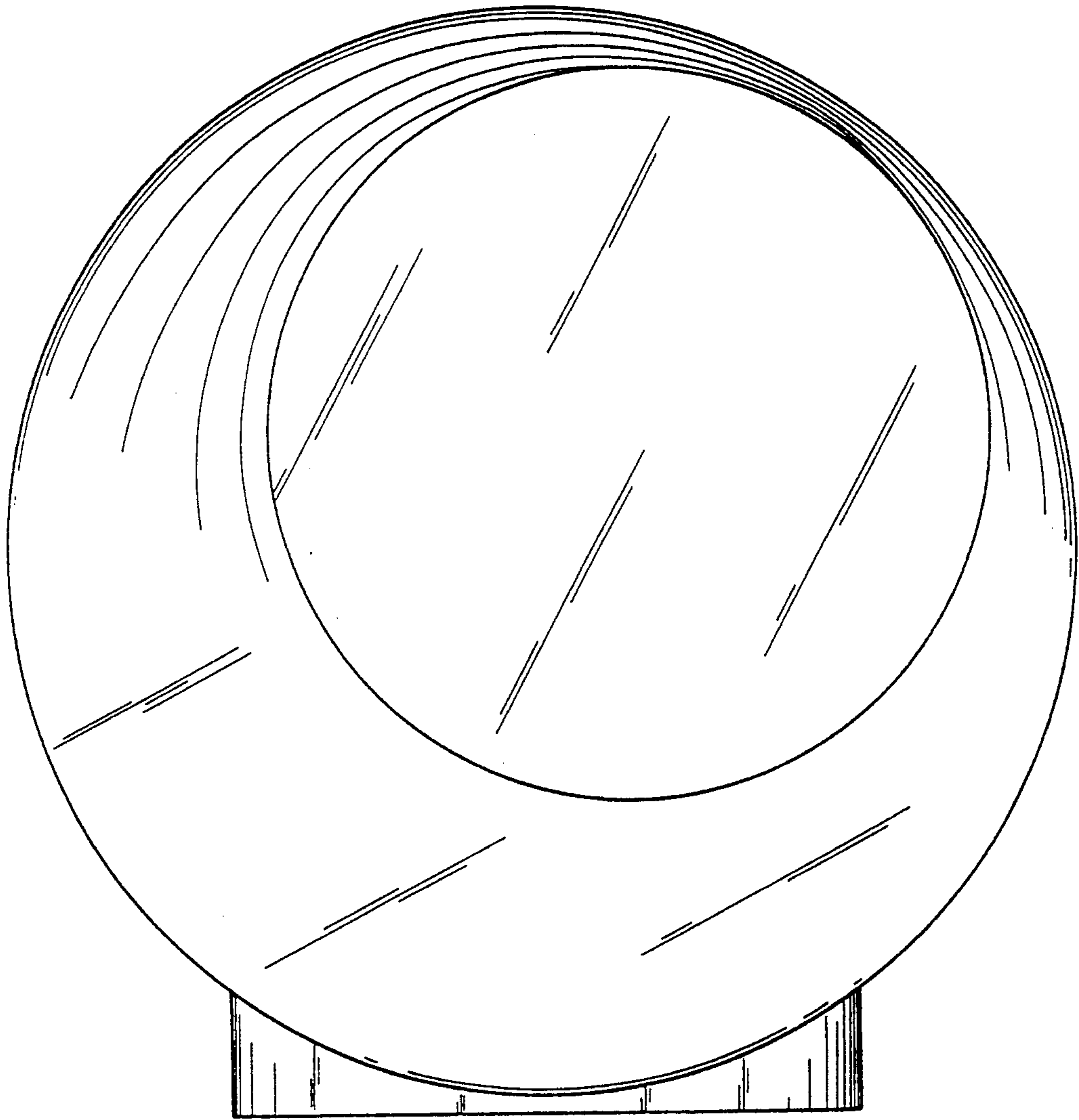


FIG. 2

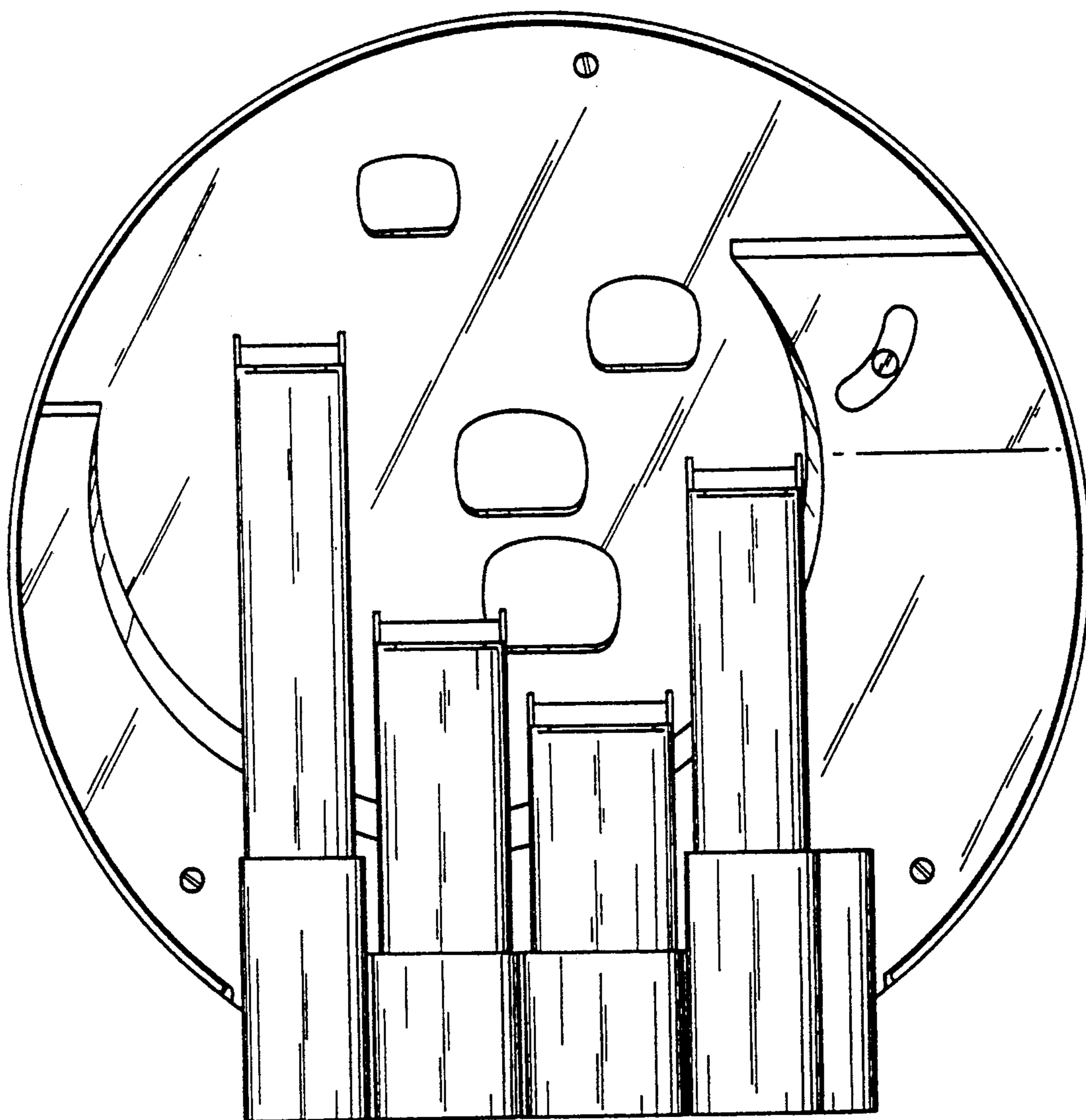


FIG. 3

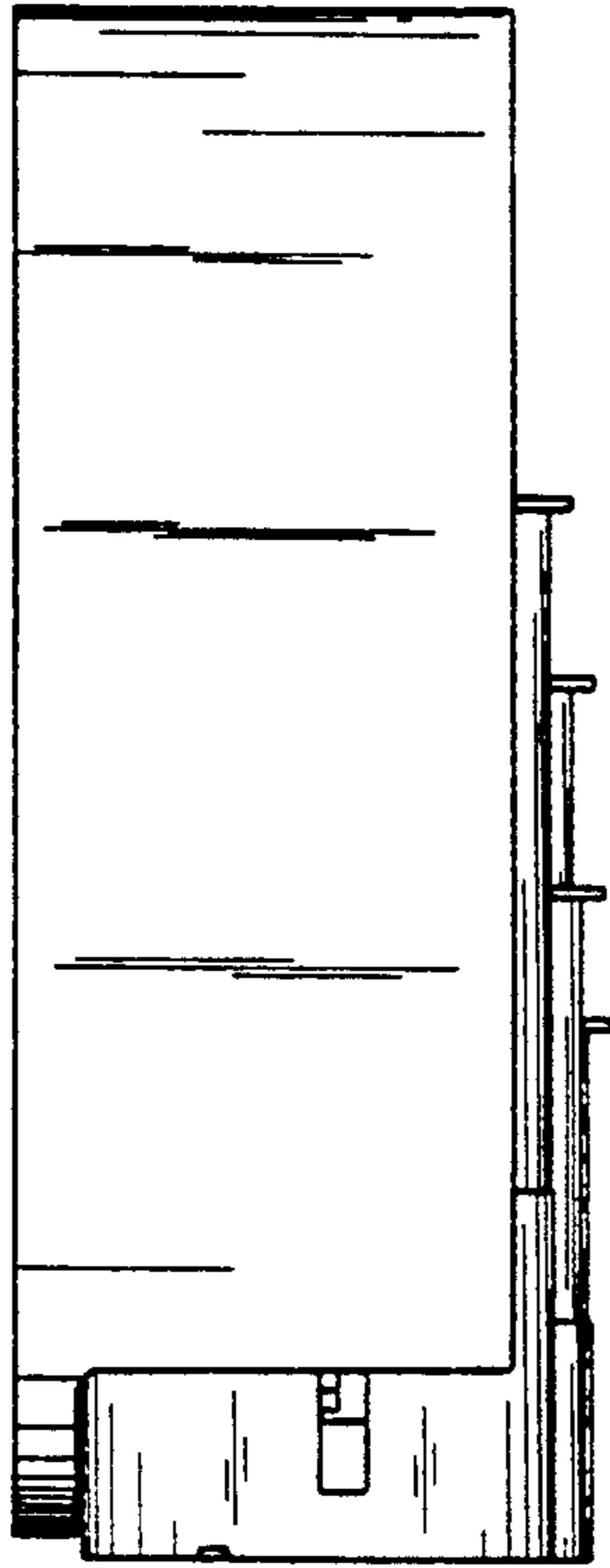


FIG. 4

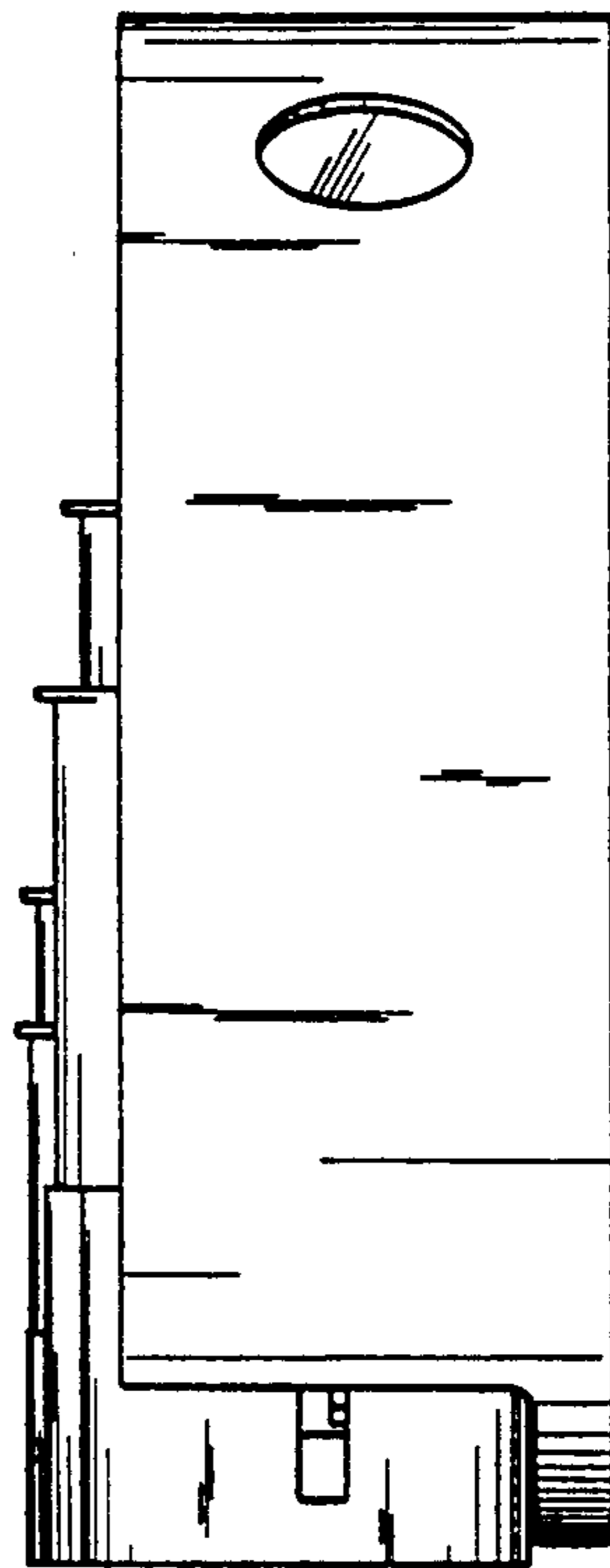


FIG. 5

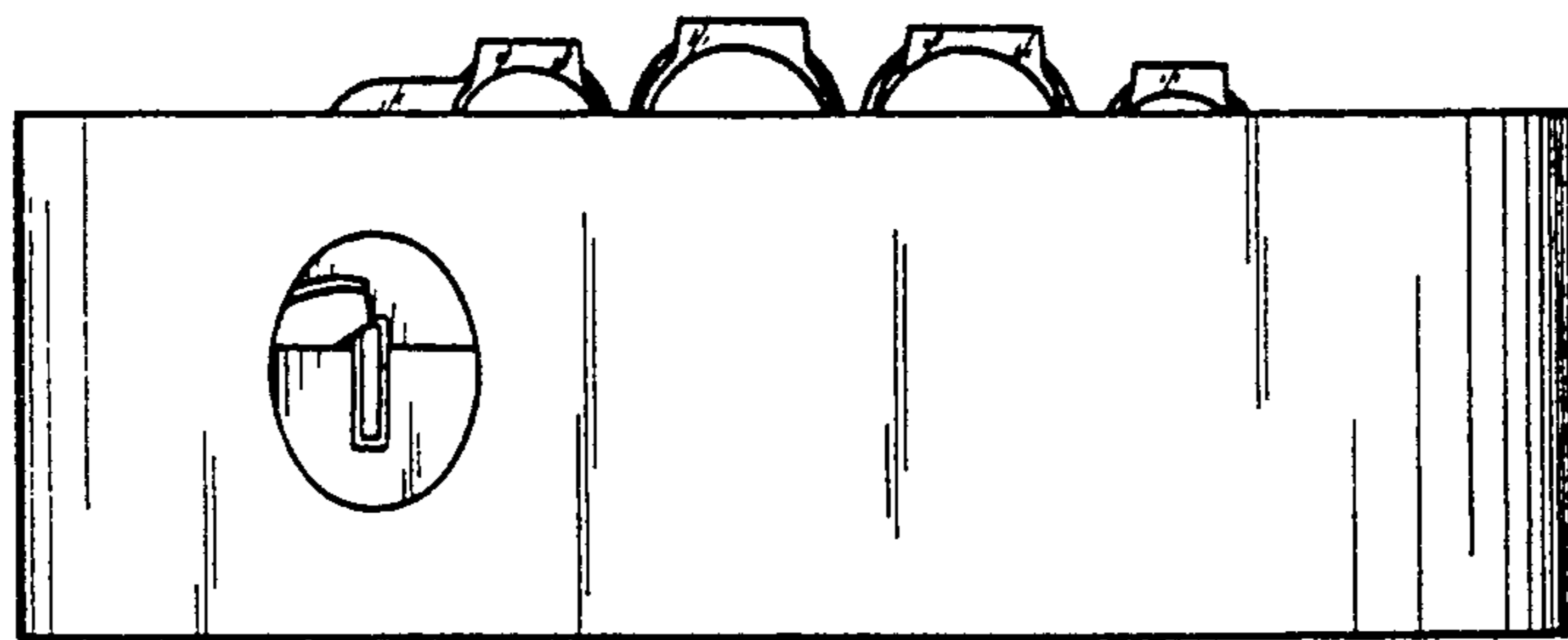


FIG. 6

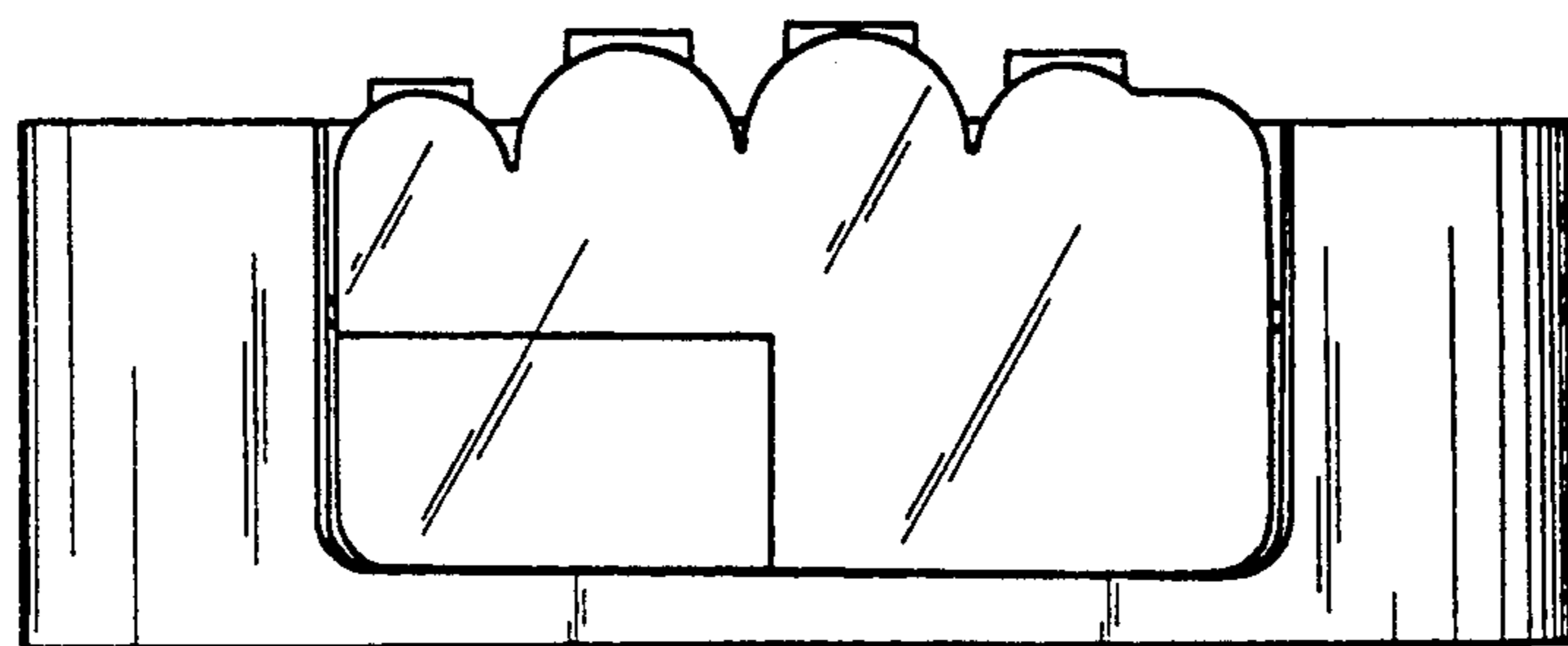


FIG. 7

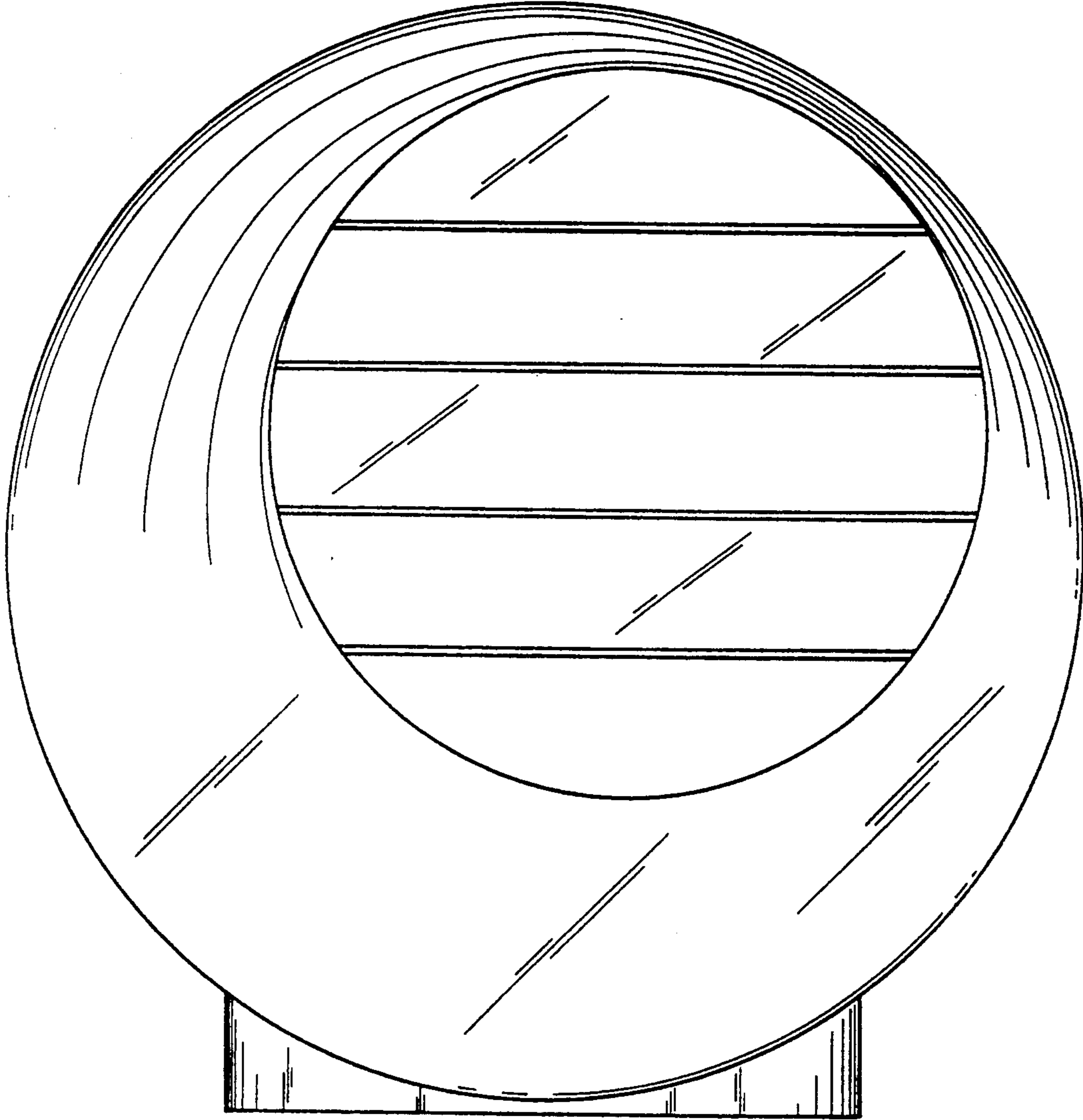


FIG. 8