



US00D329930S

United States Patent [19]

[11] Patent Number: **Des. 329,930**

Delmerico et al.

[45] Date of Patent: **** Sep. 29, 1992**

[54] REFUSE CONTAINER WITH LID

[75] Inventors: **Paul E. Delmerico; Greg P. Terek,**
both of Winchester, Va.

[73] Assignee: **Rubbermaid Commercial
Products-Inc., Winchester, Va.**

[**] Term: **14 Years**

[21] Appl. No.: **493,236**

[22] Filed: **Mar. 14, 1990**

[52] U.S. Cl. **D34/7; D34/1;
D7/603**

[58] Field of Search **D34/1, 7, 9, 11;
220/908, 909, 910; 232/1 R; D7/603**

[56] References Cited

U.S. PATENT DOCUMENTS

- D. 233.127 10/1974 Karn .
- D. 271.248 11/1983 Maza et al. .
- D. 271.555 11/1983 Daenen D7/603
- D. 280.459 9/1985 McClelland .
- D. 292.638 11/1987 Carville .

FOREIGN PATENT DOCUMENTS

- 1357016 2/1964 France 220/908

OTHER PUBLICATIONS

Catalog Page. Continental Manufacturing Co., 123
Byassee Dr., St. Louis, Mo. 63042. Publication date
1990.

Pp. 33 and 34, Rubbermaid Incorporated, 1147 Akron
Road, Wooster, Ohio 44691, Publication date 1988.

Pp. 7, 11, 14, and 15, Rubbermaid Commercial Products
Inc., 3124 Valley Avenue, Winchester, Va. 22601, Pub-
lication date 1988.

Primary Examiner—Kay H. Chin

[57] CLAIM

The ornamental design for a refuse container with lid, as
shown and described.

DESCRIPTION

FIG. 1 is a top, front and left side perspective view of a
refuse container with lid showing our new design;

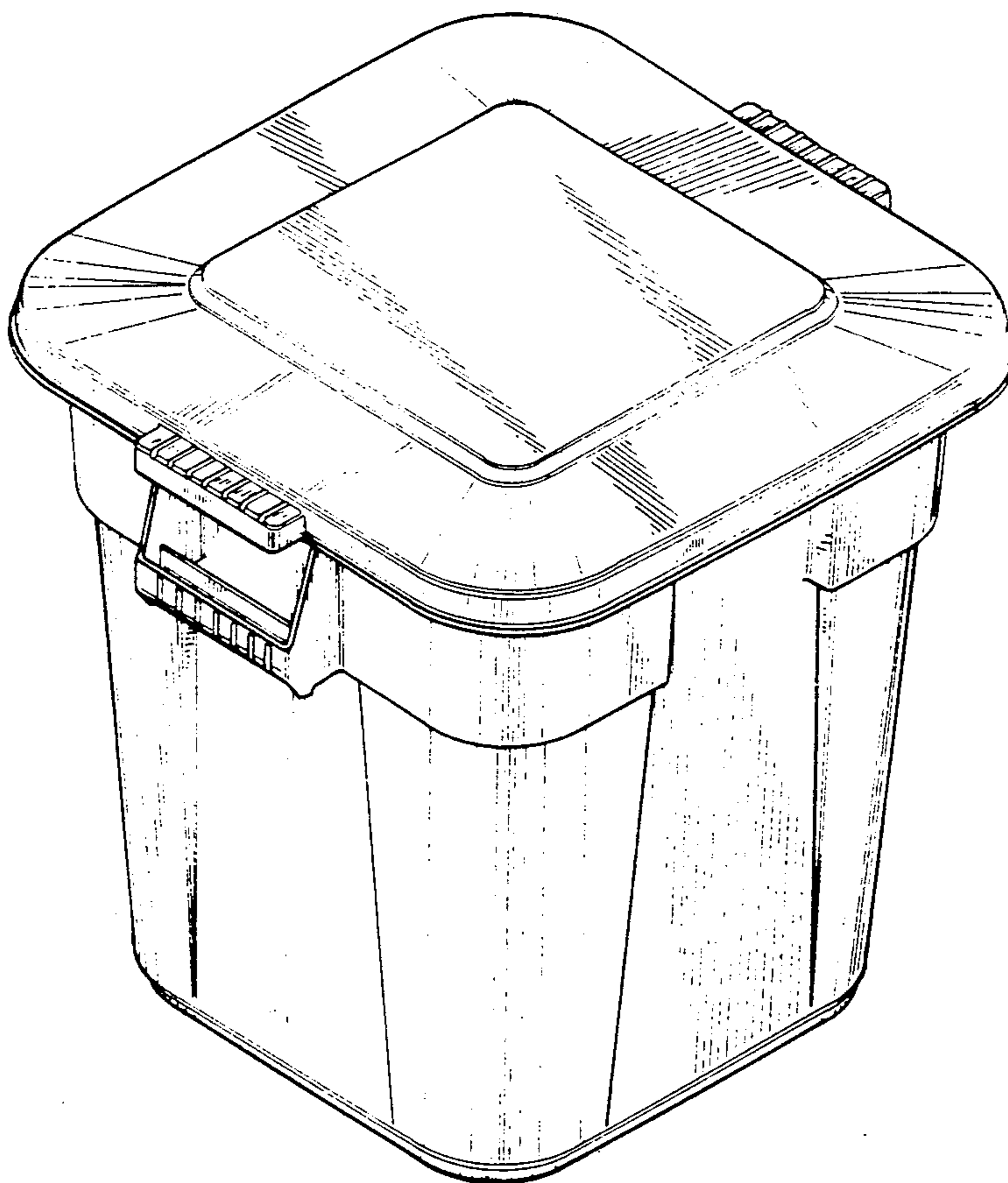
FIG. 2 is a top, front and left side perspective view
thereof, the lid being elevated from the container for
clarity of illustration;

FIG. 3 is a top plan view thereof;

FIG. 4 is a bottom plan view thereof;

FIG. 5 is a front elevational view thereof; the rear ele-
vation view being a mirror image; and.

FIG. 6 is a side elevational view thereof; the opposite
side being a mirror image.



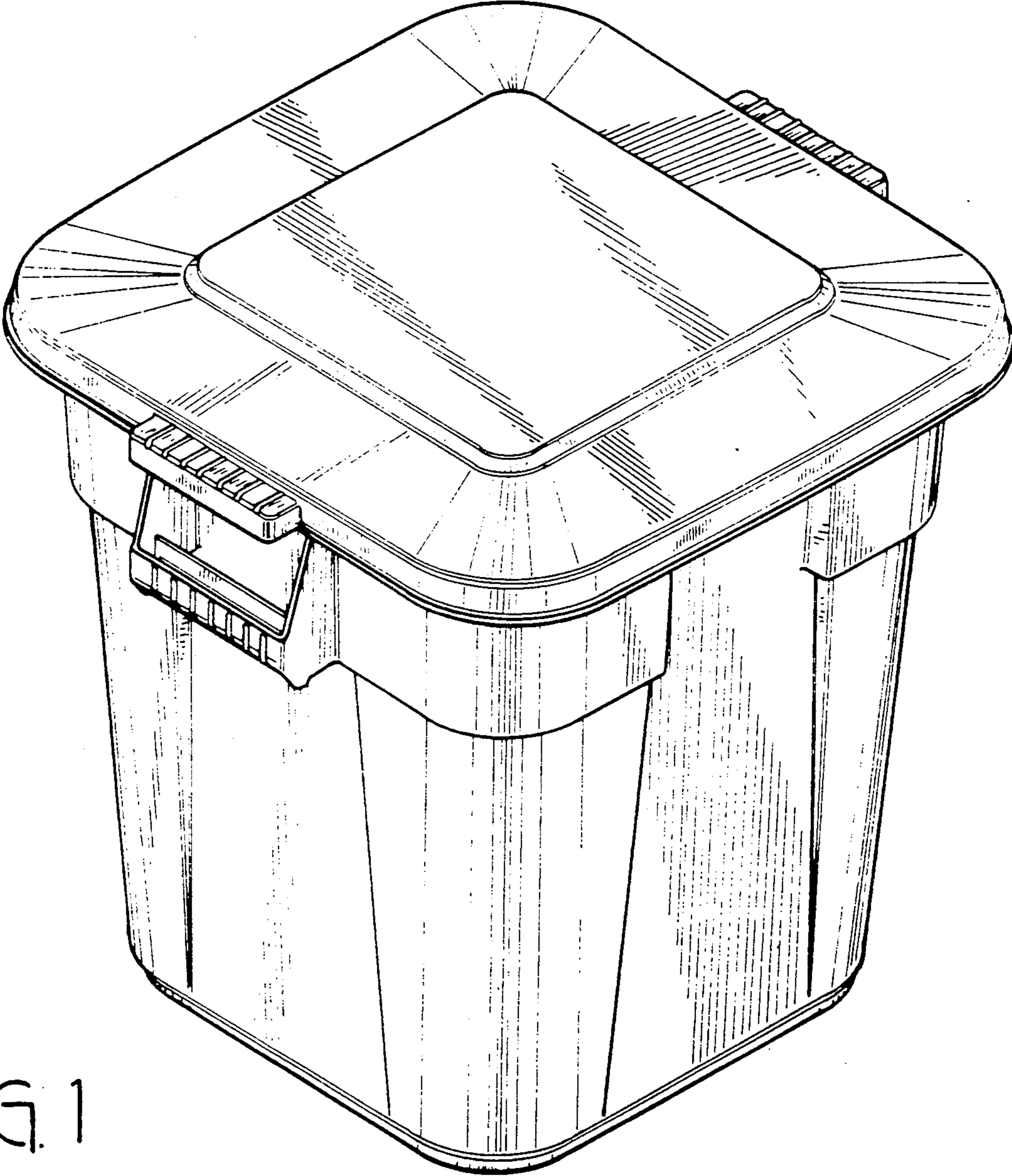


FIG. 1

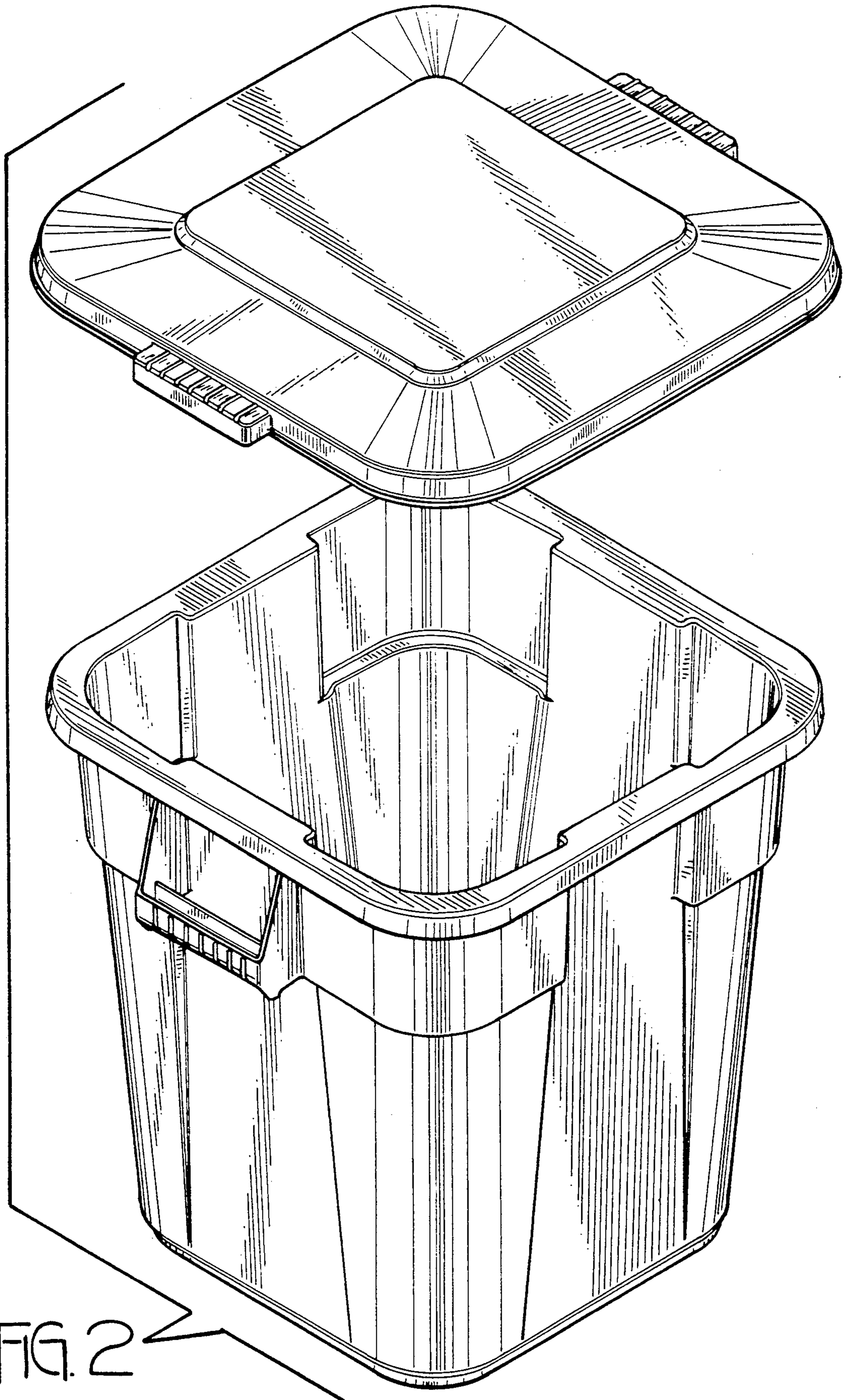


FIG. 2

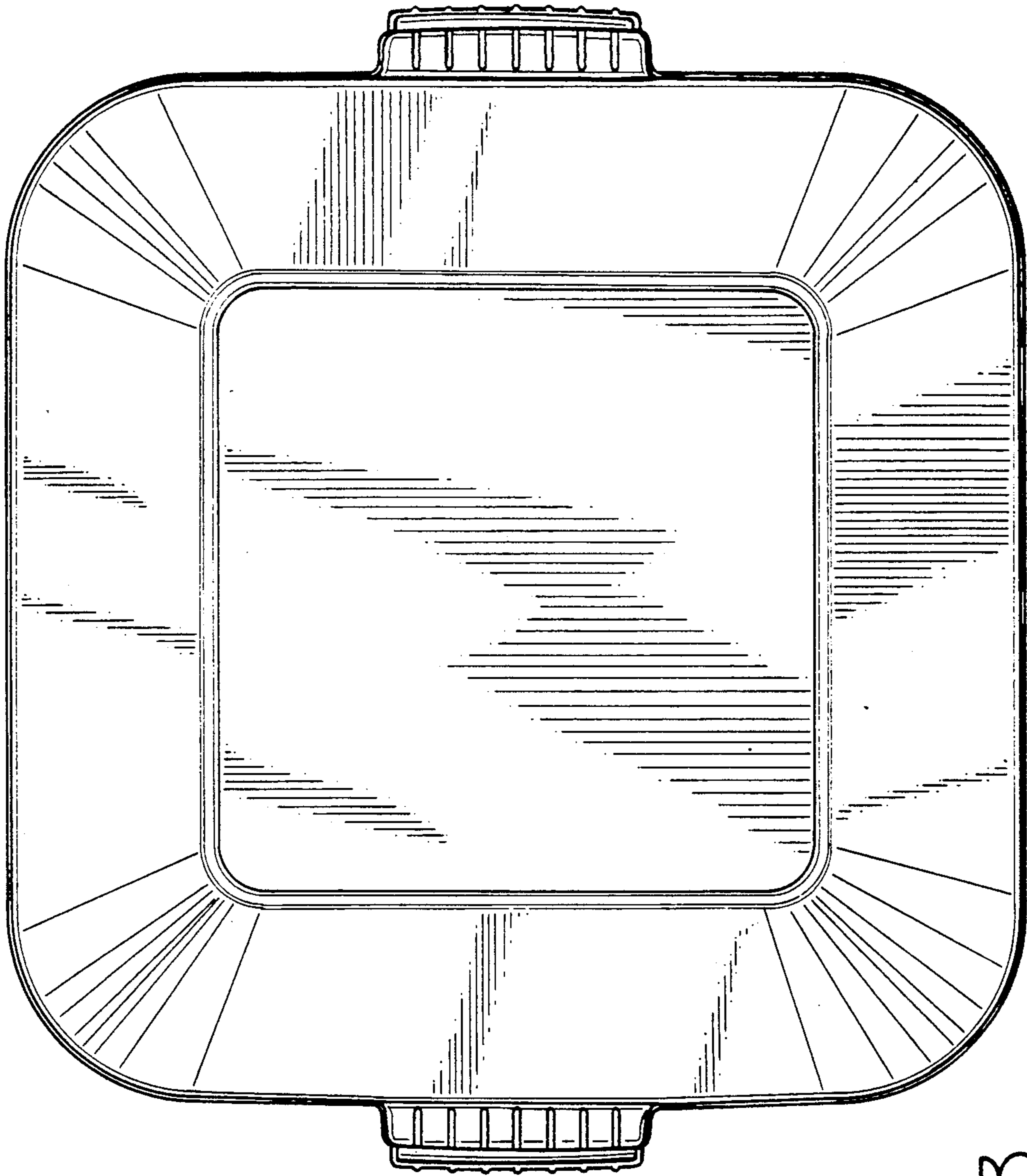


FIG. 3

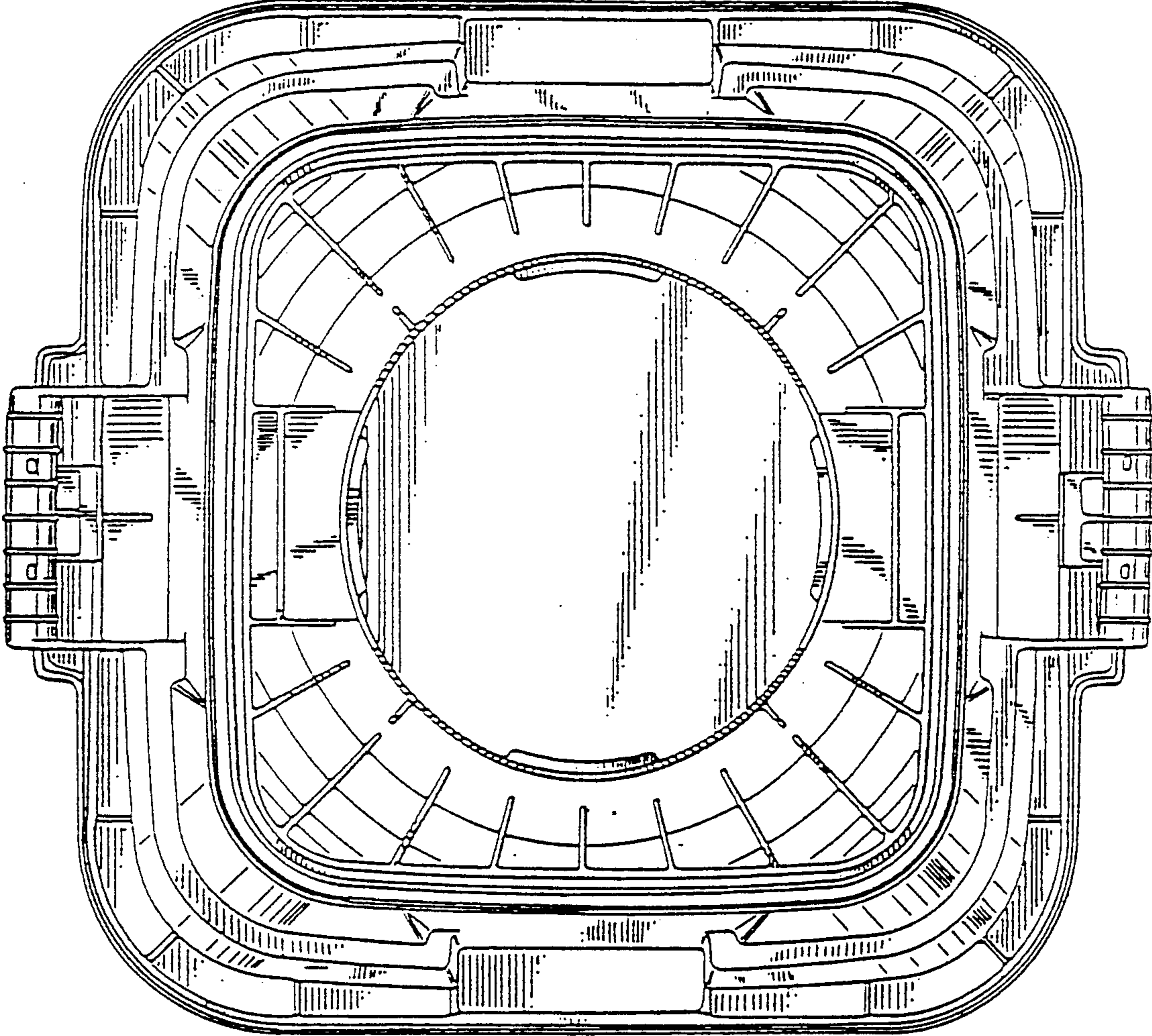


FIG. 4

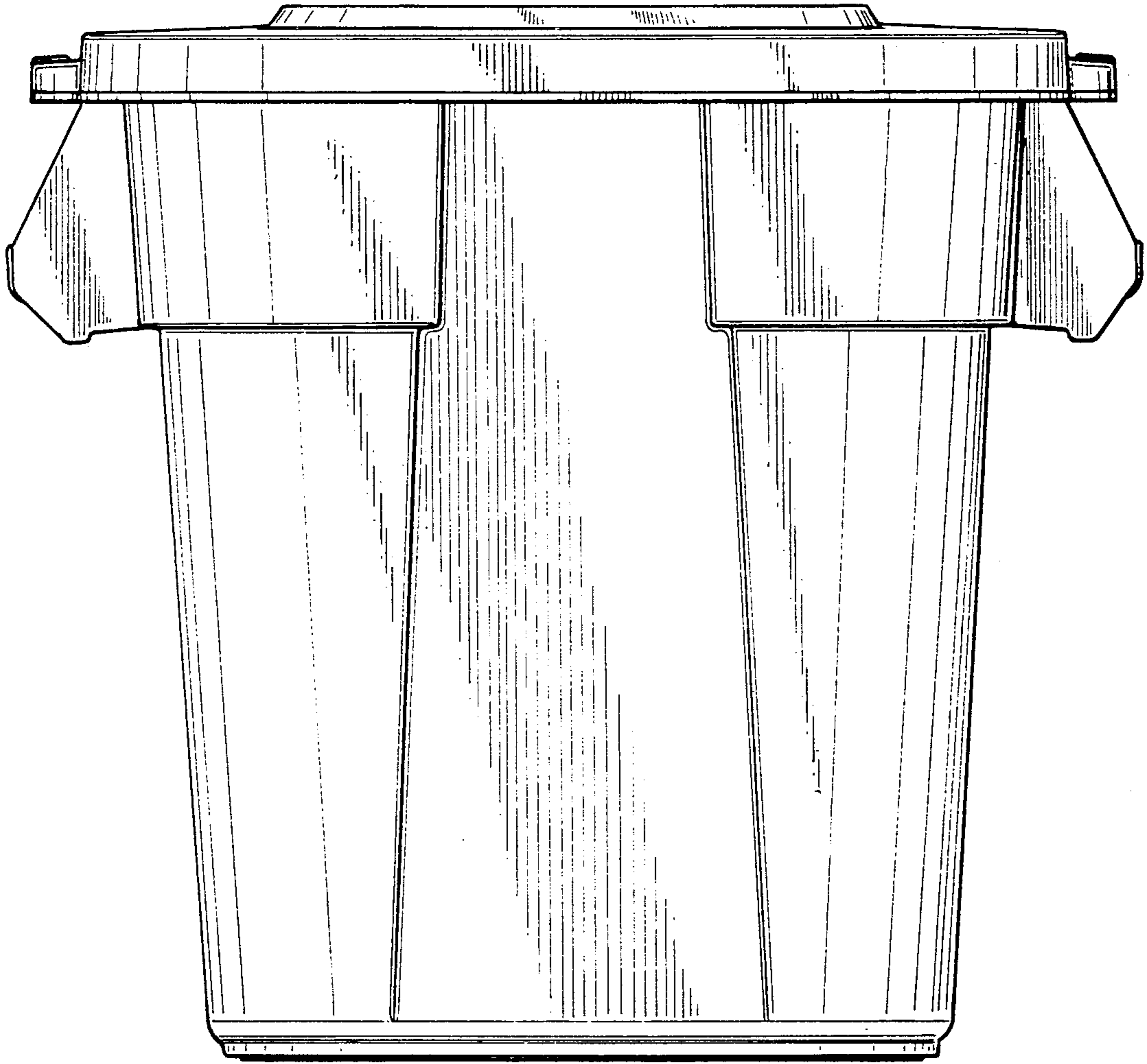


FIG. 5

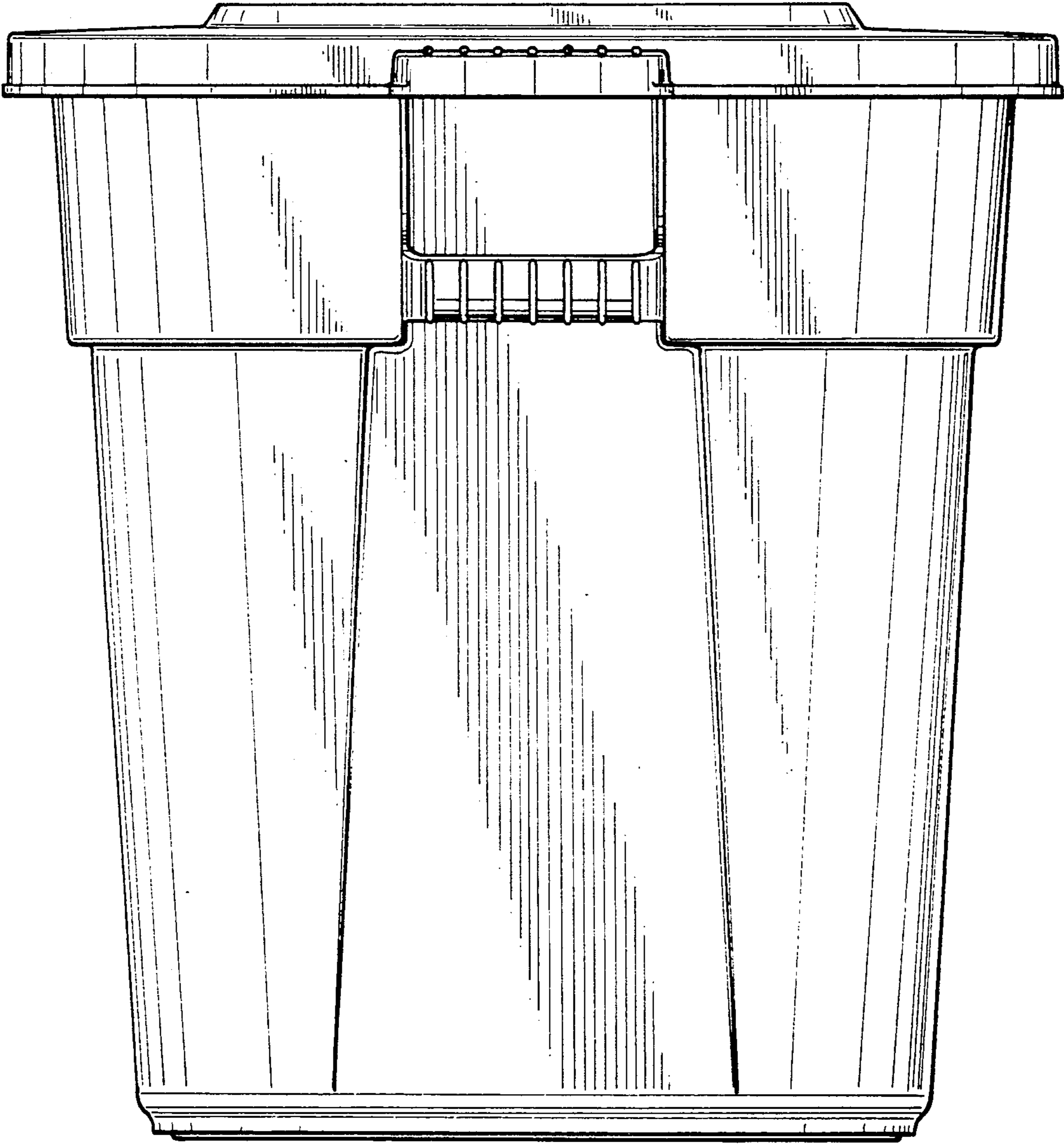


FIG. 6