



US00D329925S

United States Patent [19]
Tilbury

[11] **Patent Number: Des. 329,925**

[45] **Date of Patent: ** Sep. 29, 1992**

[54] **FRAMEWORK FOR PROTECTING HUMAN SPINE DURING ACCIDENT**

4,655,206 4/1987 Moody D24/190

[75] **Inventor: Warrick A. Tilbury, 1730 Jackson Ave., Escalon, Calif. 95320**

*Primary Examiner—A. Hugo Word
Assistant Examiner—Ruth McInroy
Attorney, Agent, or Firm—Basil B. Travis*

[73] **Assignee: Warrick A. Tilbury, Escalon, Calif.**

[57] **CLAIM**

[**] **Term: 14 Years**

The ornamental design for a framework for protecting human spine during accident, as shown and described.

[21] **Appl. No.: 456,262**

DESCRIPTION

[22] **Filed: Dec. 26, 1989**

[52] **U.S. Cl. D29/10; D24/190; D24/191**

FIG. 1 is a rear perspective view of a framework for protecting human spine during accident showing my new design, the person shown in broken lines is for illustrative purposes only and forms no part of the claimed design;

[58] **Field of Search D29/10, 11, 99; 128/78; D24/190, 191**

FIG. 2 is a rear elevational view thereof;

FIG. 3 is a front elevational view thereof;

FIG. 4 is a top plan view thereof;

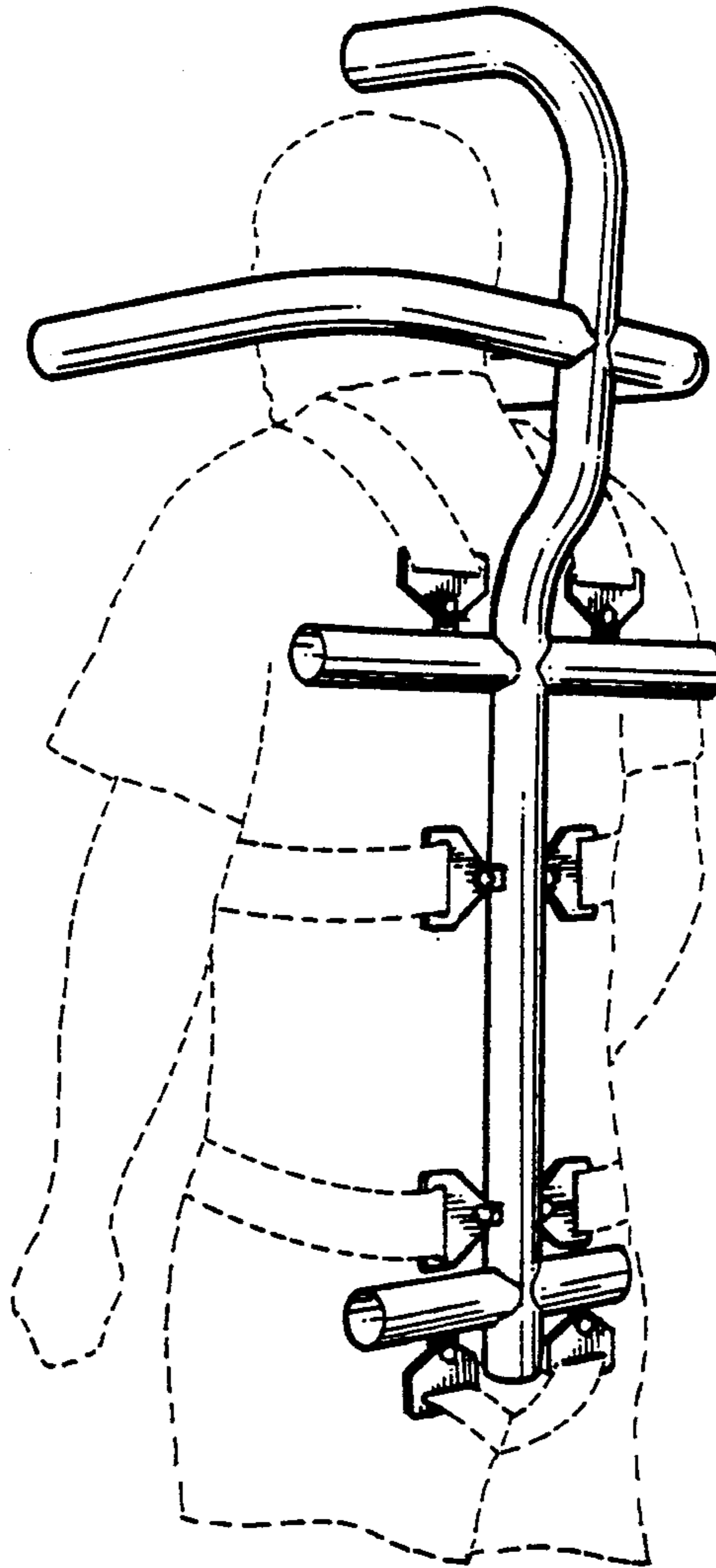
FIG. 5 is a bottom plan view thereof; and,

FIG. 6 is a side elevational view thereof, the opposite side being a mirror image.

[56] **References Cited**

U.S. PATENT DOCUMENTS

- D. 289,085 3/1987 Nesbitt D24/191
- D. 292,612 11/1987 Fitsch D24/191
- D. 307,055 4/1990 Johnston D24/190



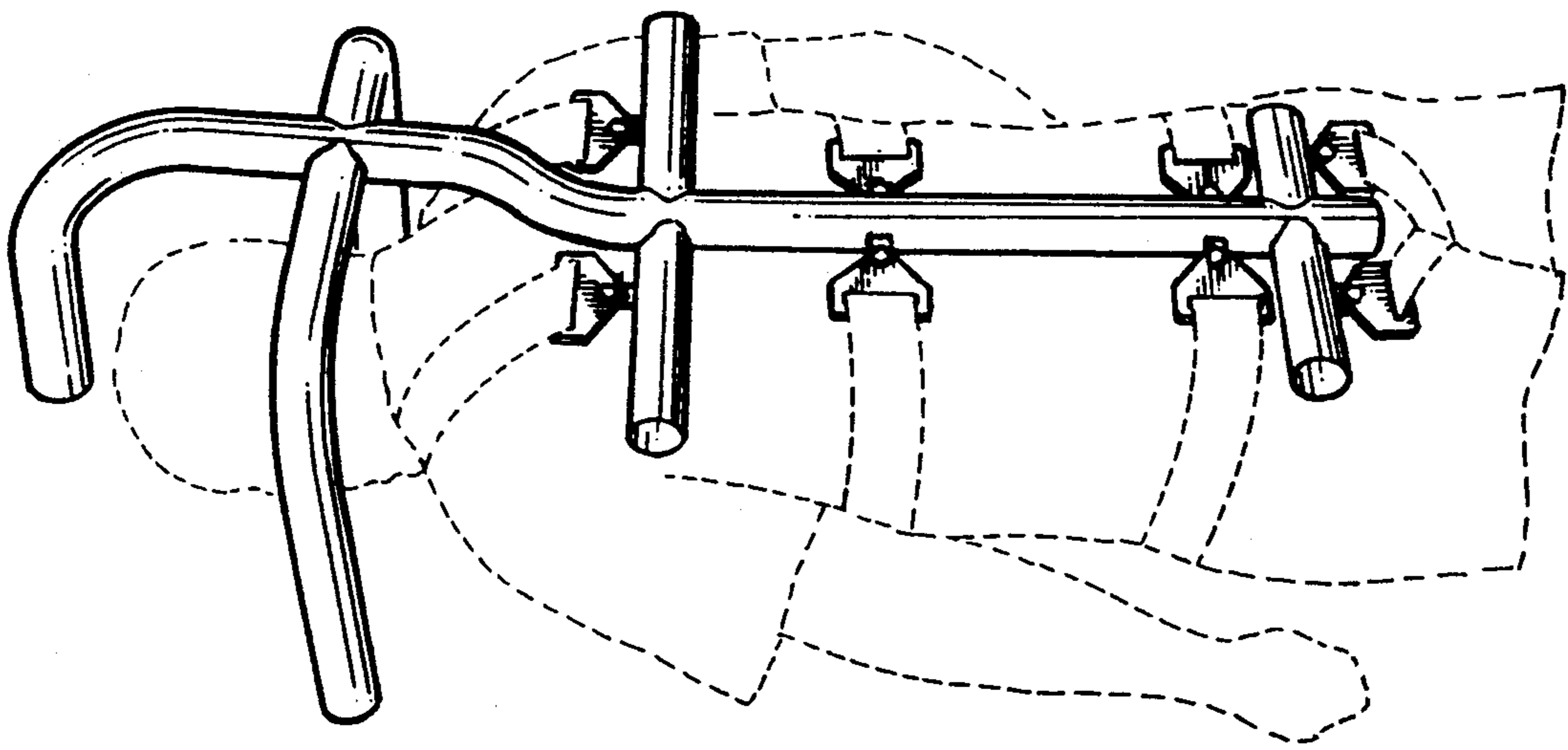
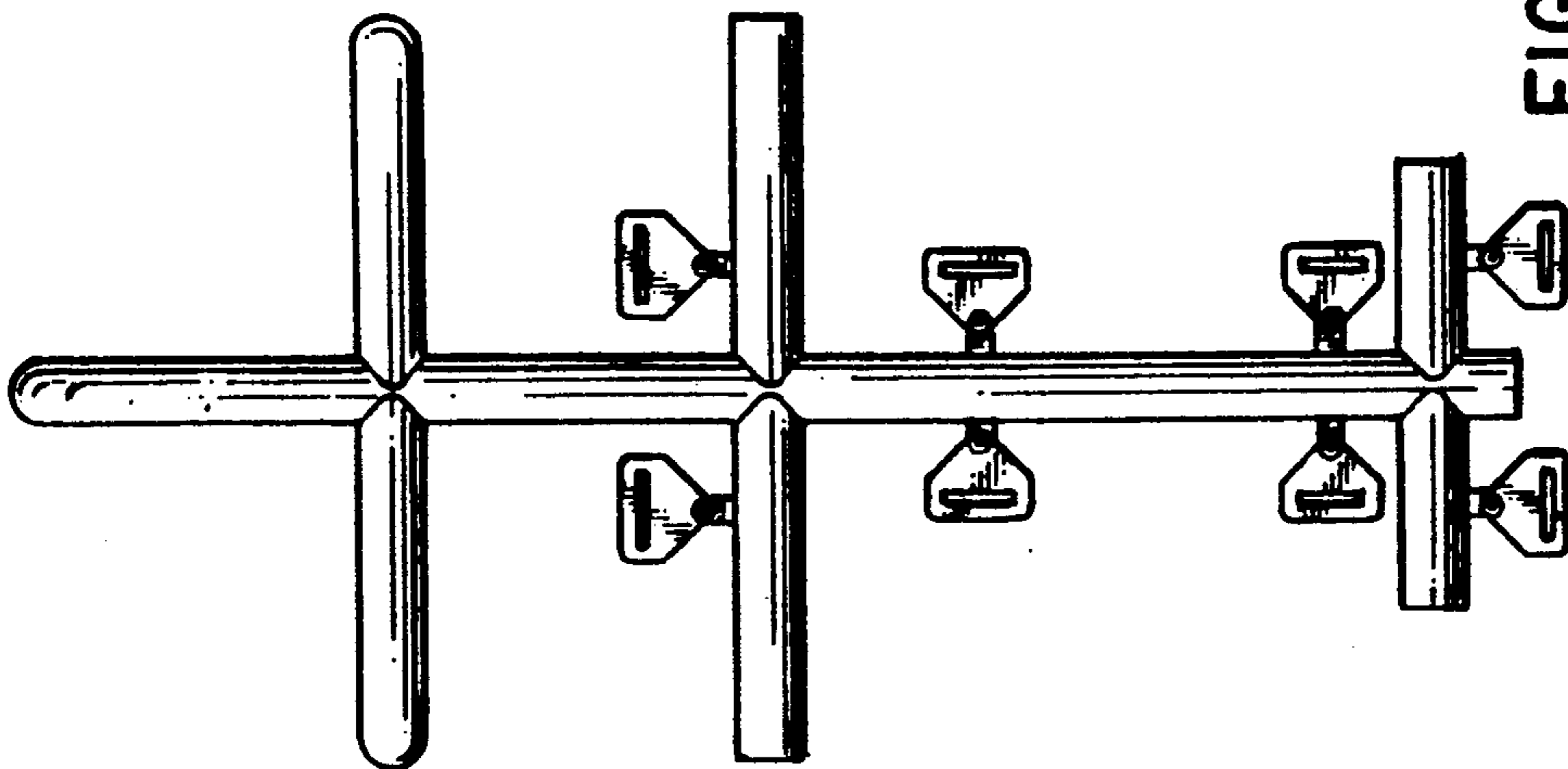
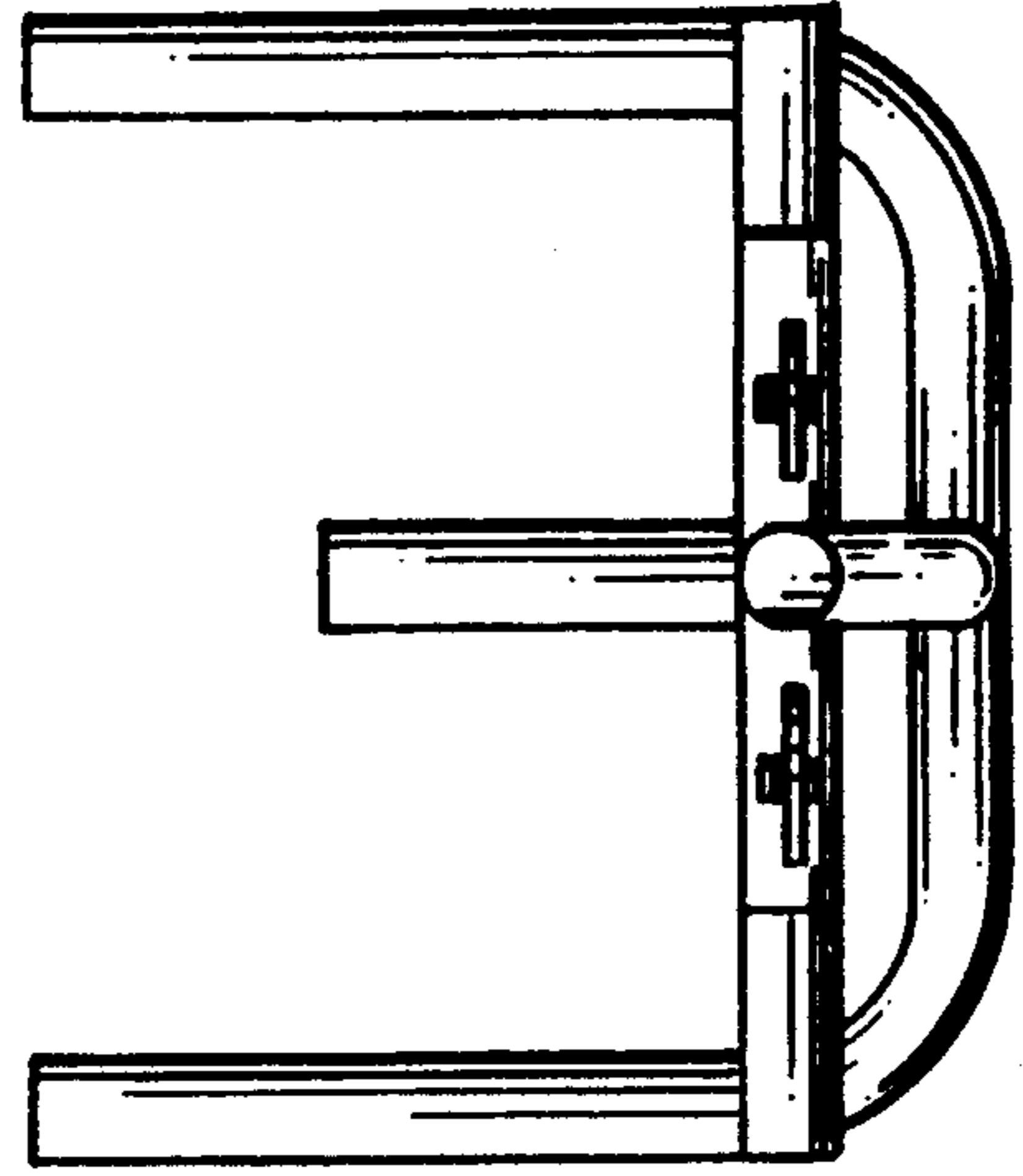
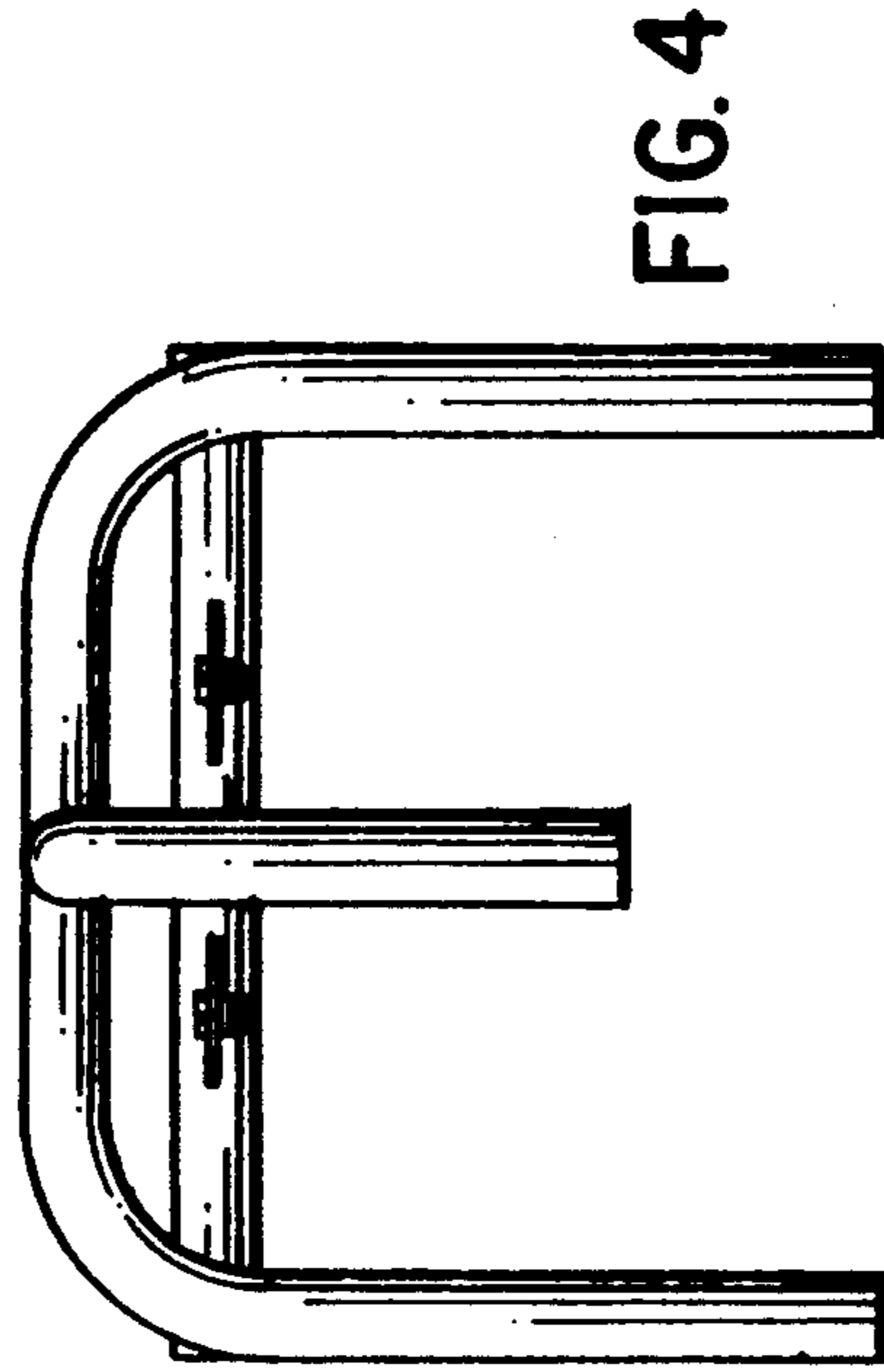


FIG. 1



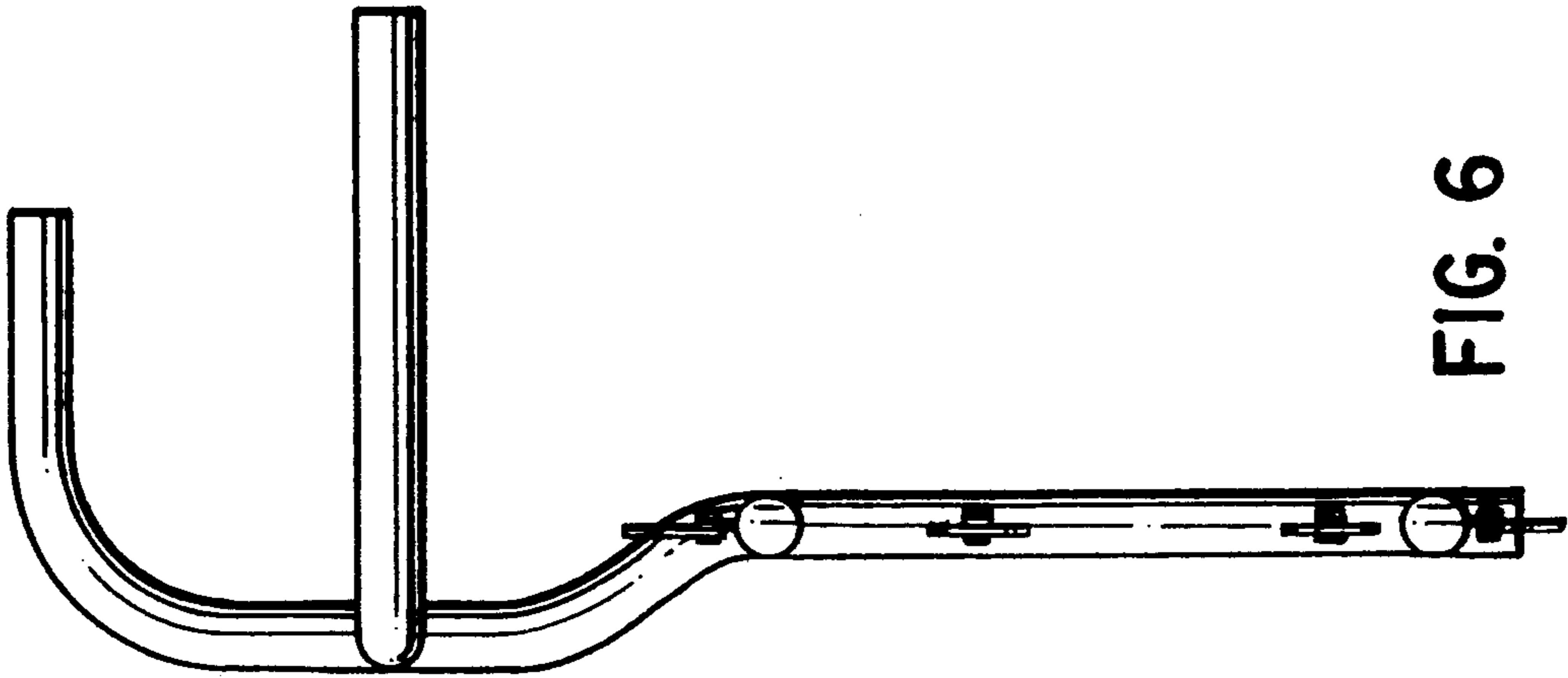


FIG. 6

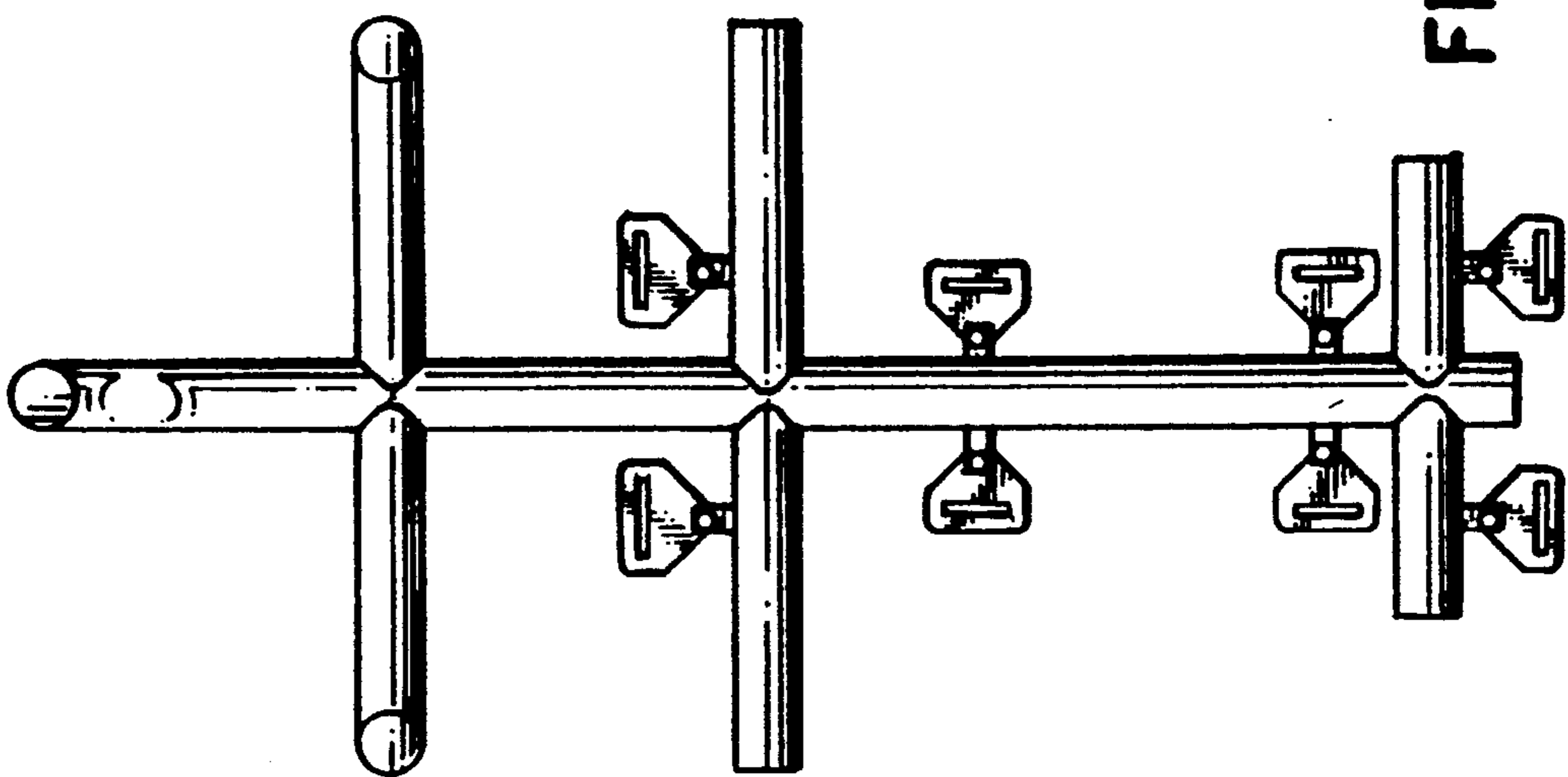


FIG. 3