



US00D329923S

United States Patent [19]

[11] Patent Number: **Des. 329,923**

Thaxton

[45] Date of Patent: **** Sep. 29, 1992**

[54] **FINGERNAIL PROTECTOR GUARD**

4,694,843 9/1987 Casenhiser 132/73
4,972,857 11/1990 Stewart et al. 132/73

[76] Inventor: **Marcine L. Thaxton**, 10910 Canyon
Mesa La., San Diego, Calif. 92126

FOREIGN PATENT DOCUMENTS

[**] Term: **14 Years**

566079 11/1923 France 132/76.4

[21] Appl. No.: **570,727**

Primary Examiner—Bernard Ansher
Assistant Examiner—C. Tuttle
Attorney, Agent, or Firm—Emch, Schaffer, Schaub &
Porcello Co.

[22] Filed: **Aug. 22, 1990**

[52] U.S. Cl. **D28/56**

[58] Field of Search **D28/56-61;**
132/73, 73.5, 75, 285, 319; 2/21; D3/29;
D29/10, 20, 99

[57] **CLAIM**

The ornamental design for a fingernail protector guard,
as shown and described.

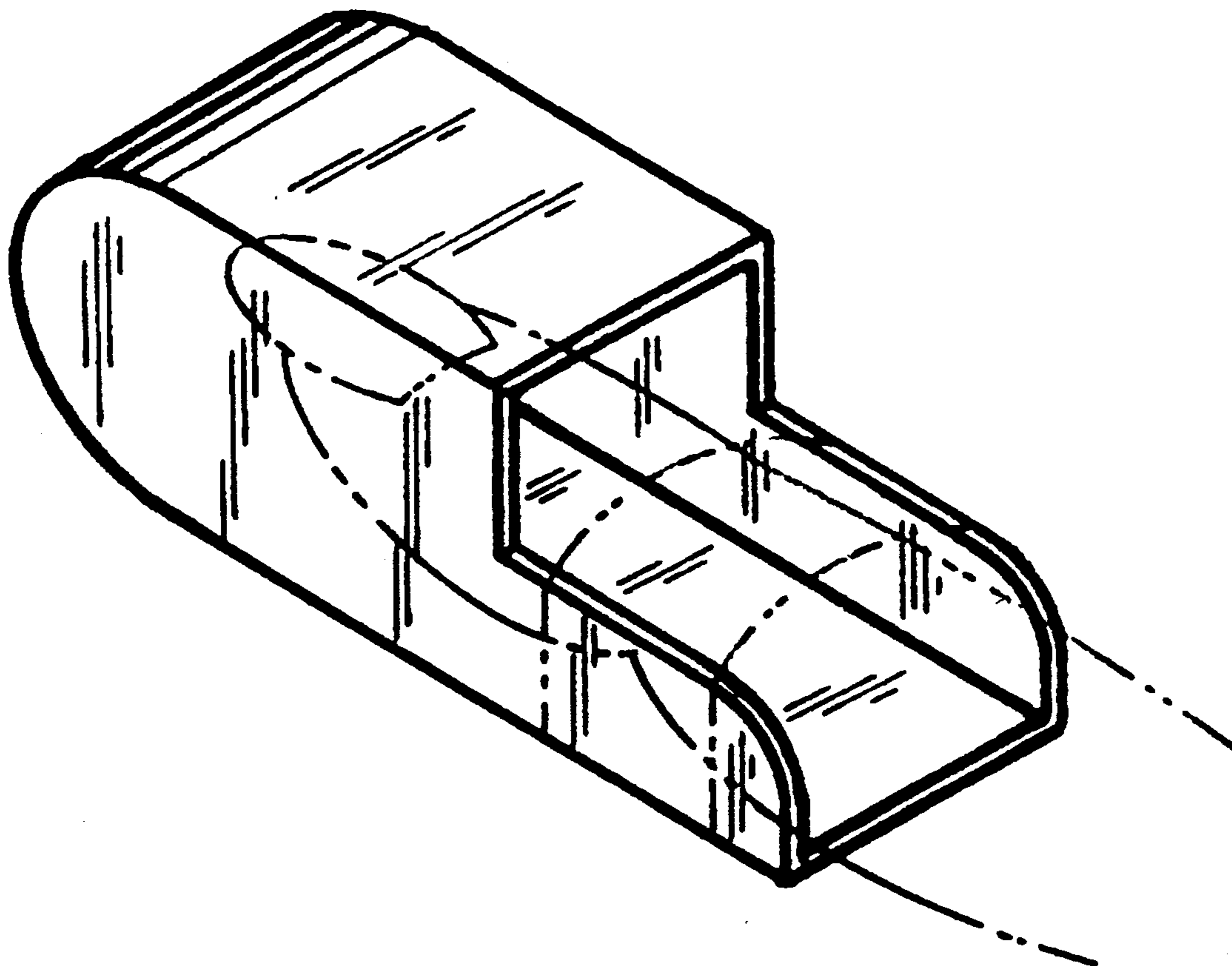
[56] **References Cited**

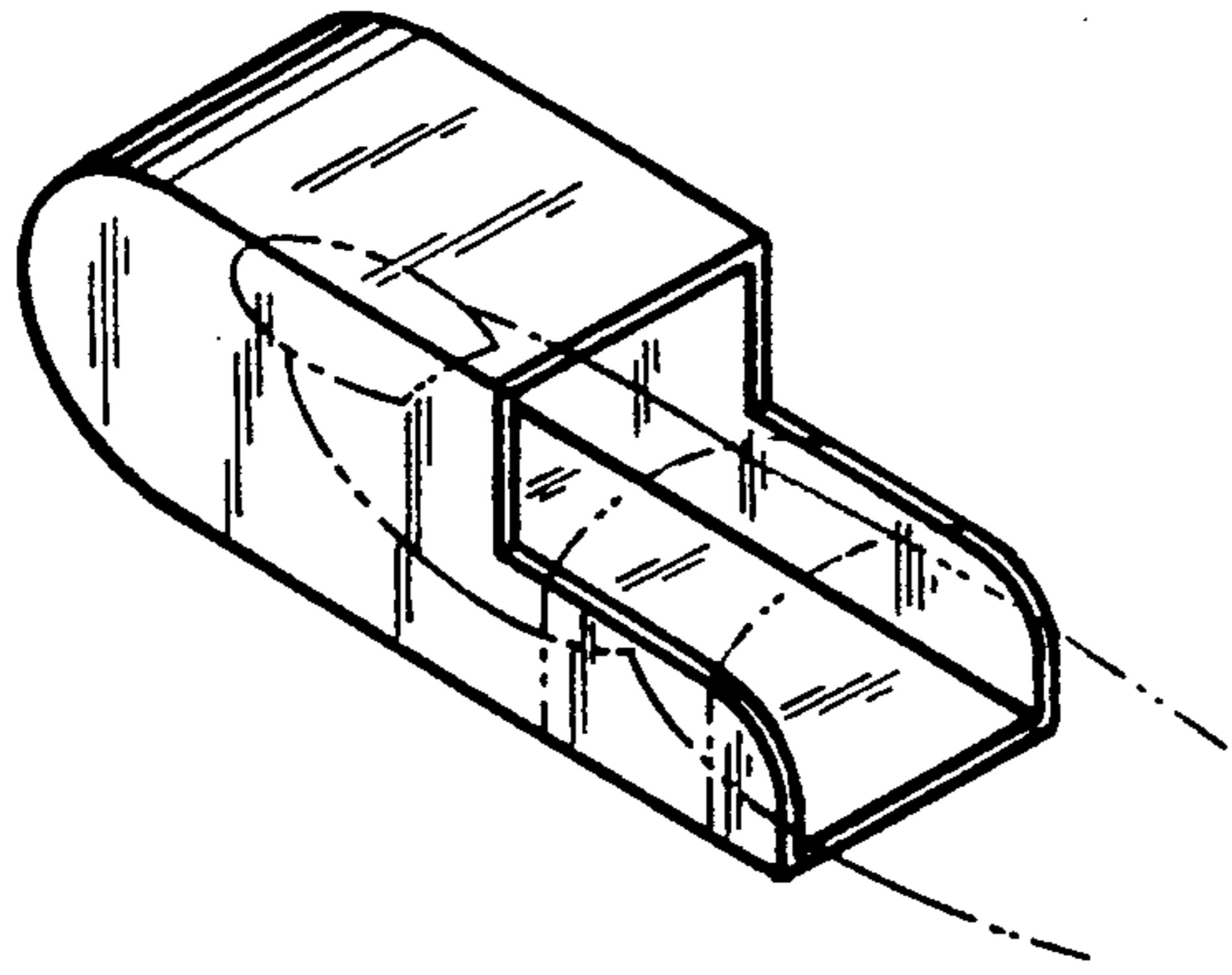
U.S. PATENT DOCUMENTS

817,929	1/1899	Fowble	2/21
1,261,706	4/1918	Condley	2/21 X
1,273,256	7/1918	Manning	2/21
2,129,496	9/1938	Hollingsworth	2/21
2,179,046	11/1939	Lewis	132/73
2,207,672	7/1940	Levey	D3/29 X
2,557,759	6/1951	Pfister	132/285
2,925,605	2/1960	Wheeler	2/21
3,967,631	7/1976	Kosal	132/73
4,089,066	5/1978	Dethman	2/21

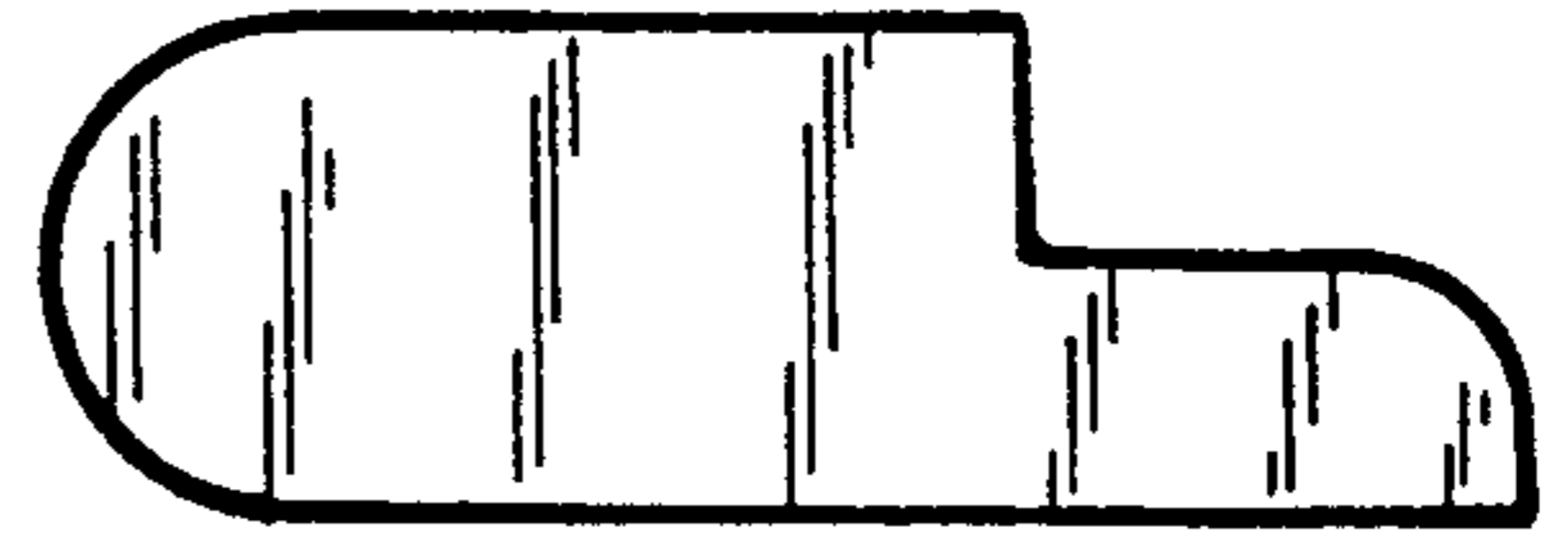
DESCRIPTION

FIG. 1 is a perspective view of a fingernail protector guard showing my new design;
FIG. 2 is a side elevational view thereof, the side opposite being a mirror image of the side shown;
FIG. 3 is a top plan view thereof;
FIG. 4 is a bottom plan view thereof;
FIG. 5 is a front elevational view thereof; and,
FIG. 6 is a rear elevational view thereof.
The broken line showing of the finger and retaining band in FIG. 1 is for illustrative purposes only and forms no part of the claimed design.

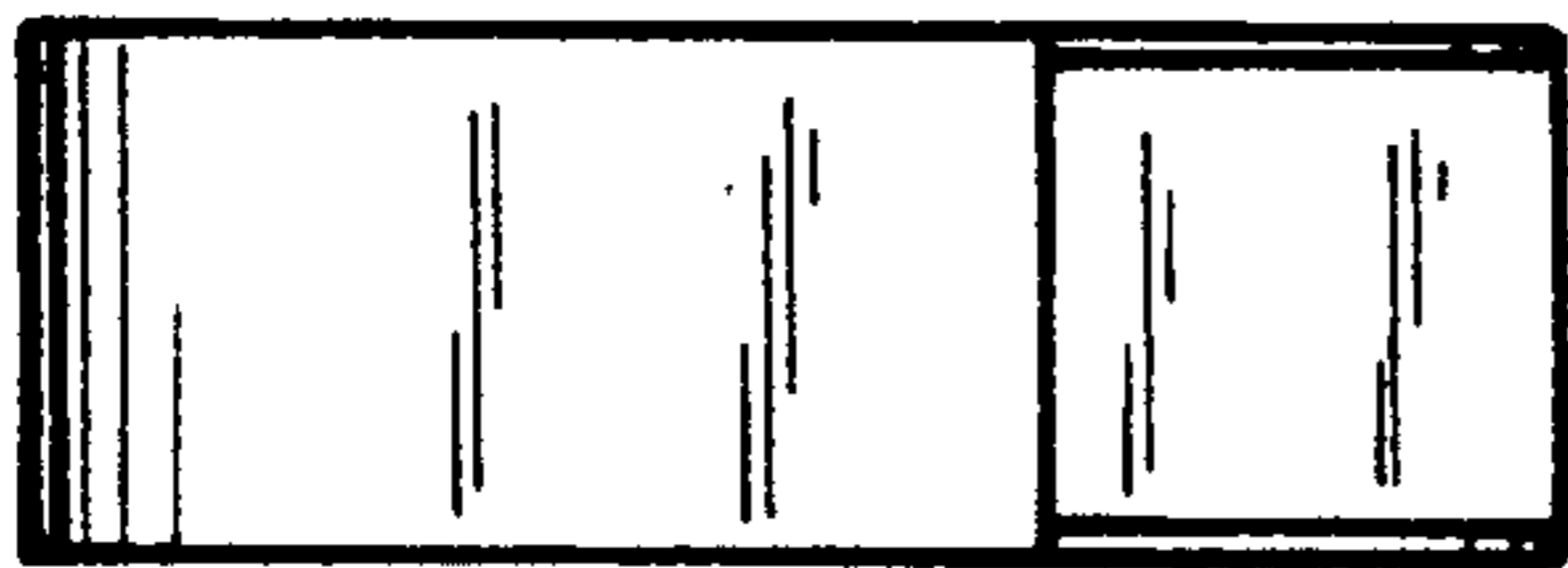




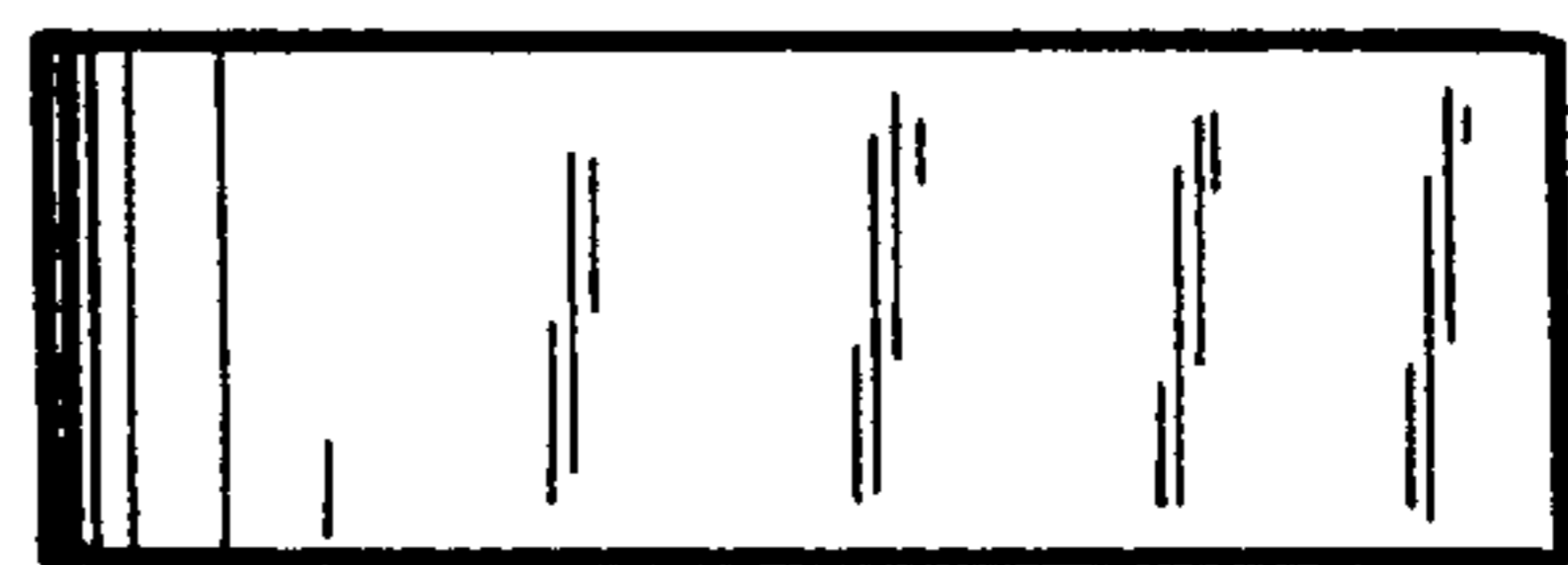
—FIG. 1



—FIG. 2



—FIG. 3



—FIG. 4



—FIG. 5



—FIG. 6