



US00D329920S

United States Patent [19]

Dieperink et al.

[11] Patent Number: **Des. 329,920**

[45] Date of Patent: **** Sep. 29, 1992**

[54] **WALL MOUNTED LUMINAIRE**

[75] Inventors: **Menno Dieperink, Amsterdam;**
Stefanus F. W. Joosten, Eindhoven,
 all of Netherlands

[73] Assignee: **U.S. Philips Corporation, New York,**
 N.Y.

[**] Term: **14 Years**

[21] Appl. No.: **506,651**

[22] Filed: **Apr. 9, 1990**

D. 311,967 11/1990 Herst et al. D26/85
 2,732,484 1/1956 Lipscomb D26/76 X
 2,770,717 11/1956 Schwartz et al. D26/76 X

OTHER PUBLICATIONS

Elliptipar, Inc. Lighting Catalog "Innovations",
©1986, p. 2, Indirect Wall Lamp (top left).

Primary Examiner—Susan J. Lucas
Attorney, Agent, or Firm—Jack E. Haken

[30] **Foreign Application Priority Data**

Oct. 30, 1989 [WO] World Int. Prop. O. ... DM/014.914

[52] U.S. Cl. **D26/87**

[58] Field of Search D26/72-92;
 362/147, 404, 432, 217, 222, 223, 362

[57] **CLAIM**

The ornamental design for a wall mounted luminaire, as shown.

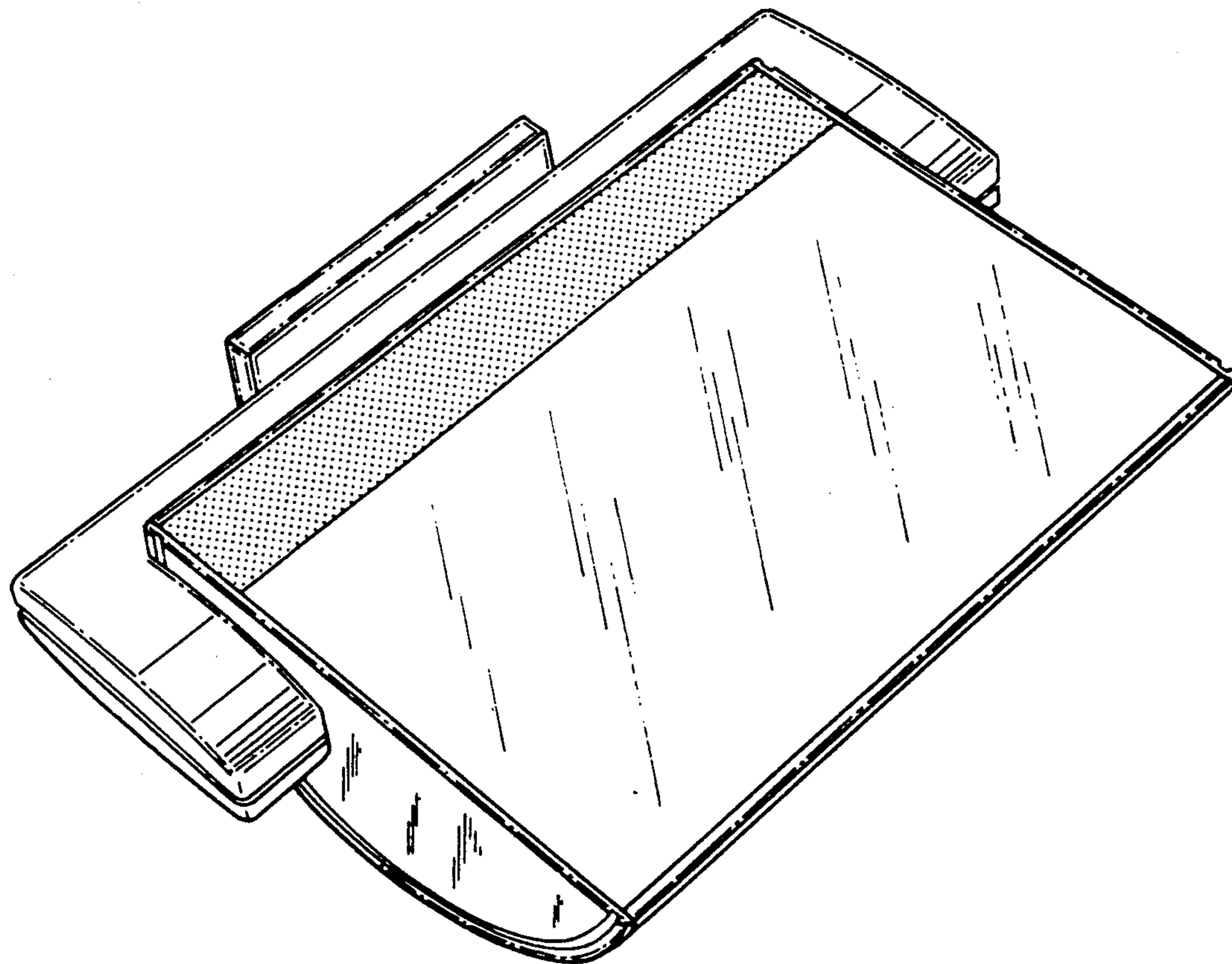
DESCRIPTION

FIG. 1 is a top perspective view of a wall mounted luminaire showing our new design;
 FIG. 2 is a front elevational view thereof;
 FIG. 3 is a rear elevational view thereof;
 FIG. 4 is a left side elevational view thereof;
 FIG. 5 is a right side elevational view thereof;
 FIG. 6 is a top plan view thereof; and,
 FIG. 7 is a bottom plan view thereof.

[56] **References Cited**

U.S. PATENT DOCUMENTS

D. 308,260 5/1990 Shemitz D26/85
 D. 309,793 8/1990 Frattini D26/87



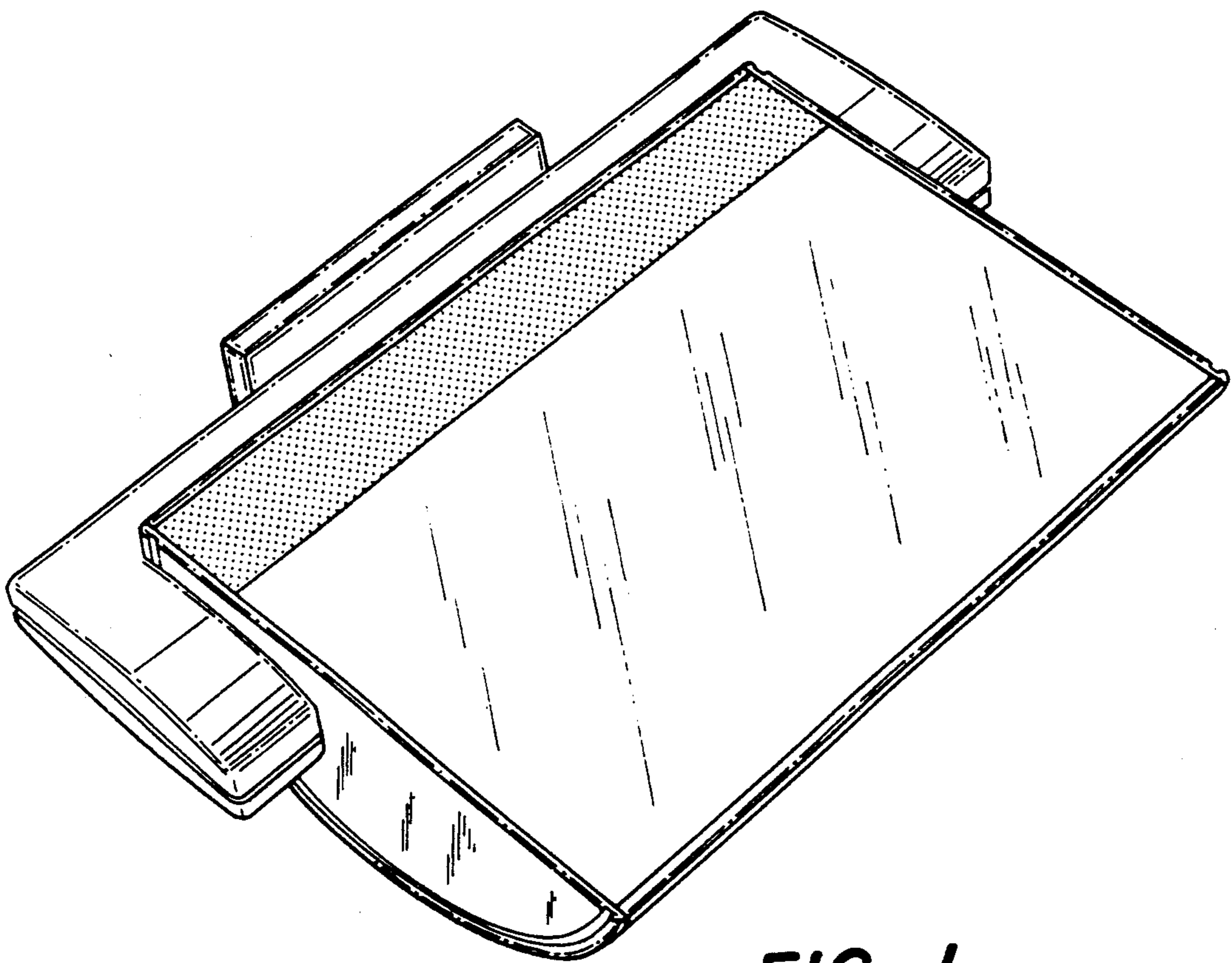


FIG. 1

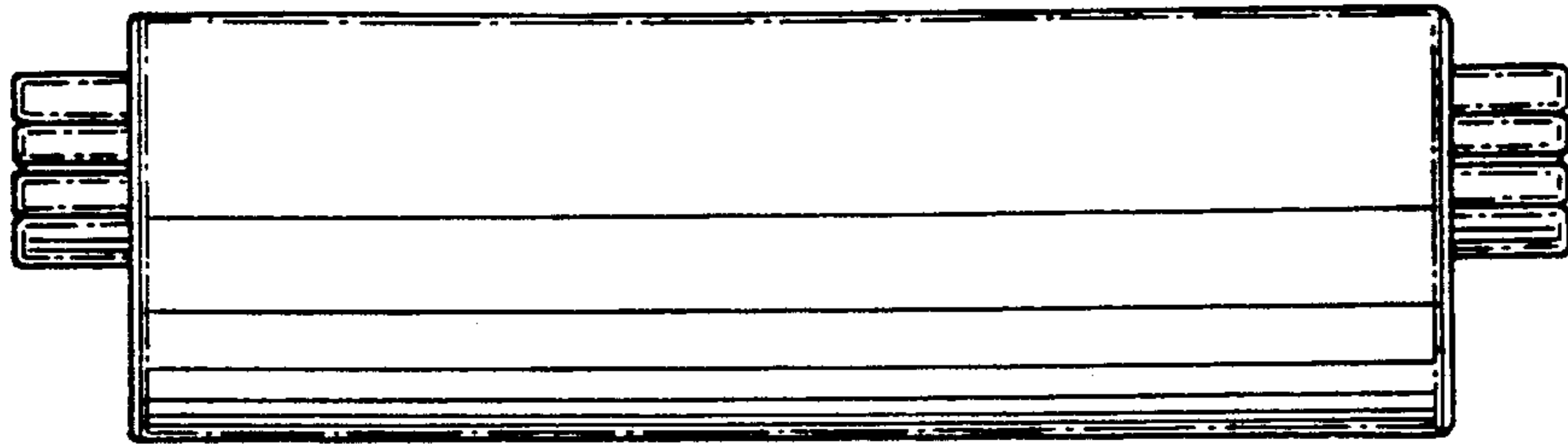


FIG. 2

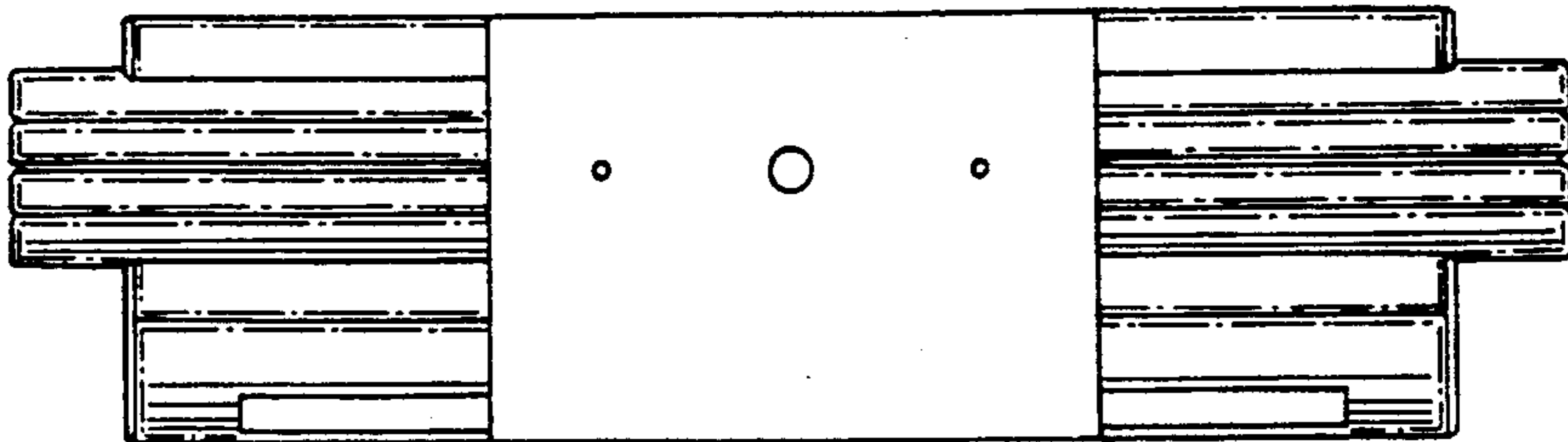


FIG. 3

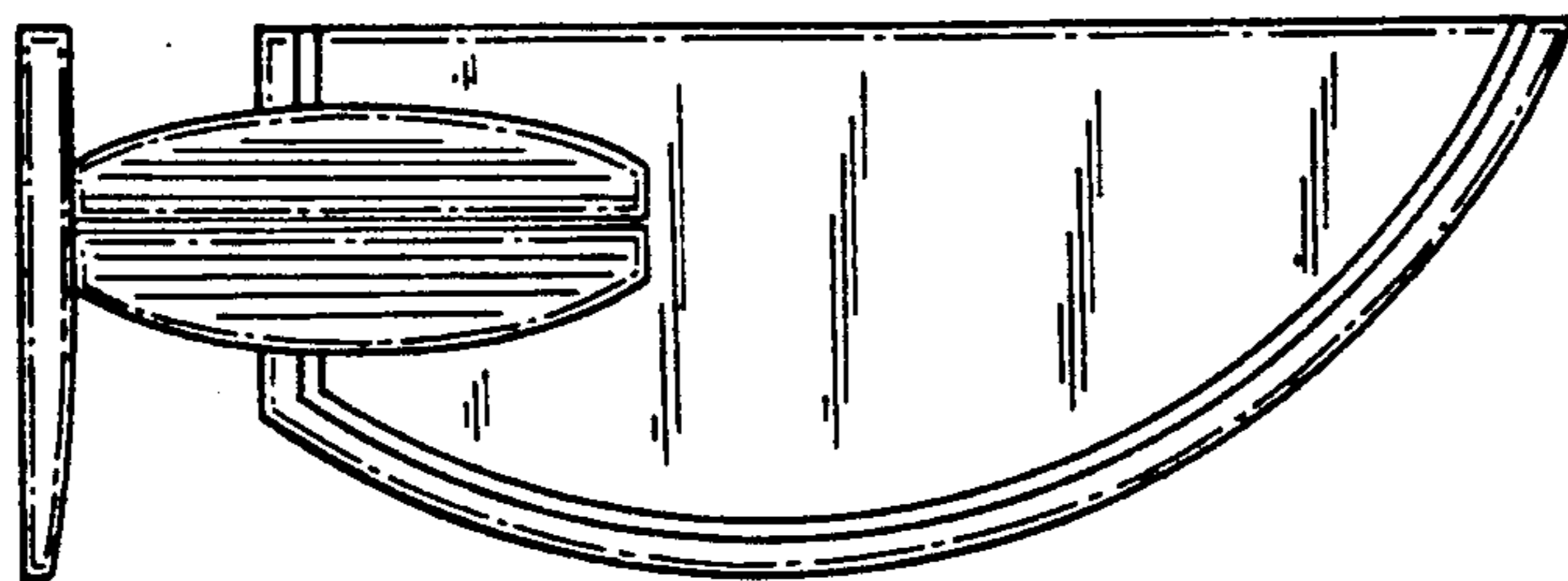


FIG. 4

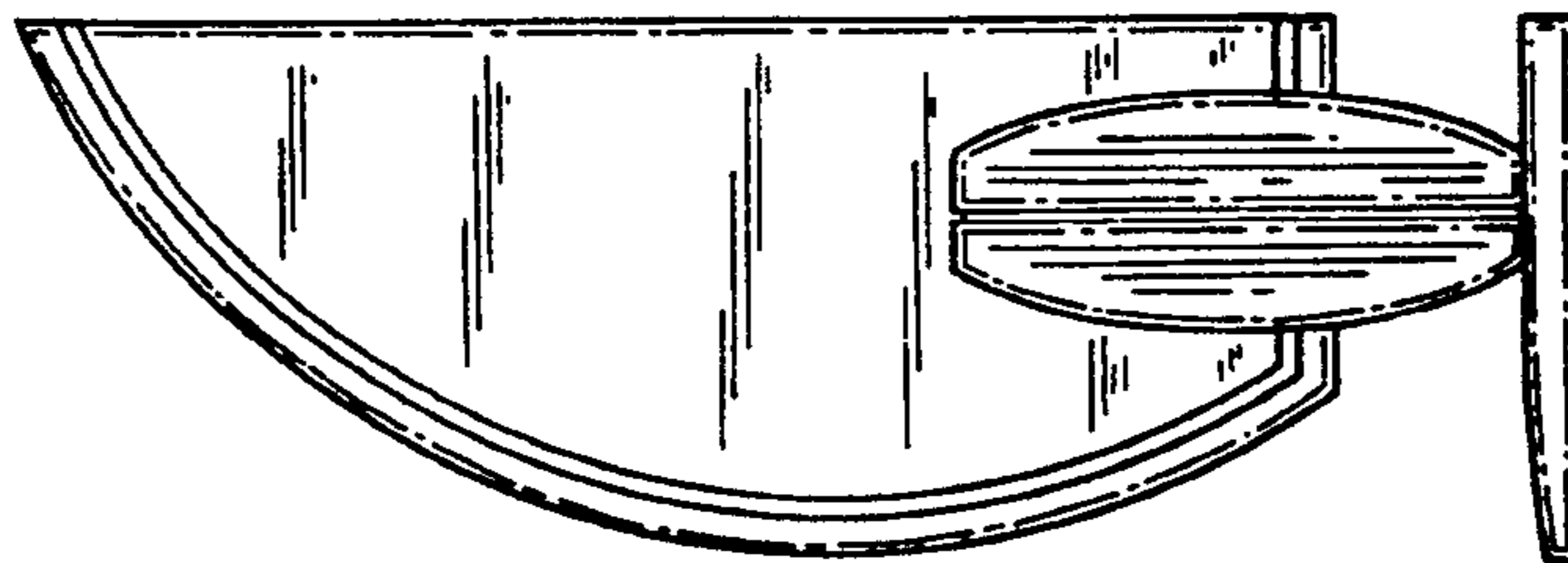


FIG. 5

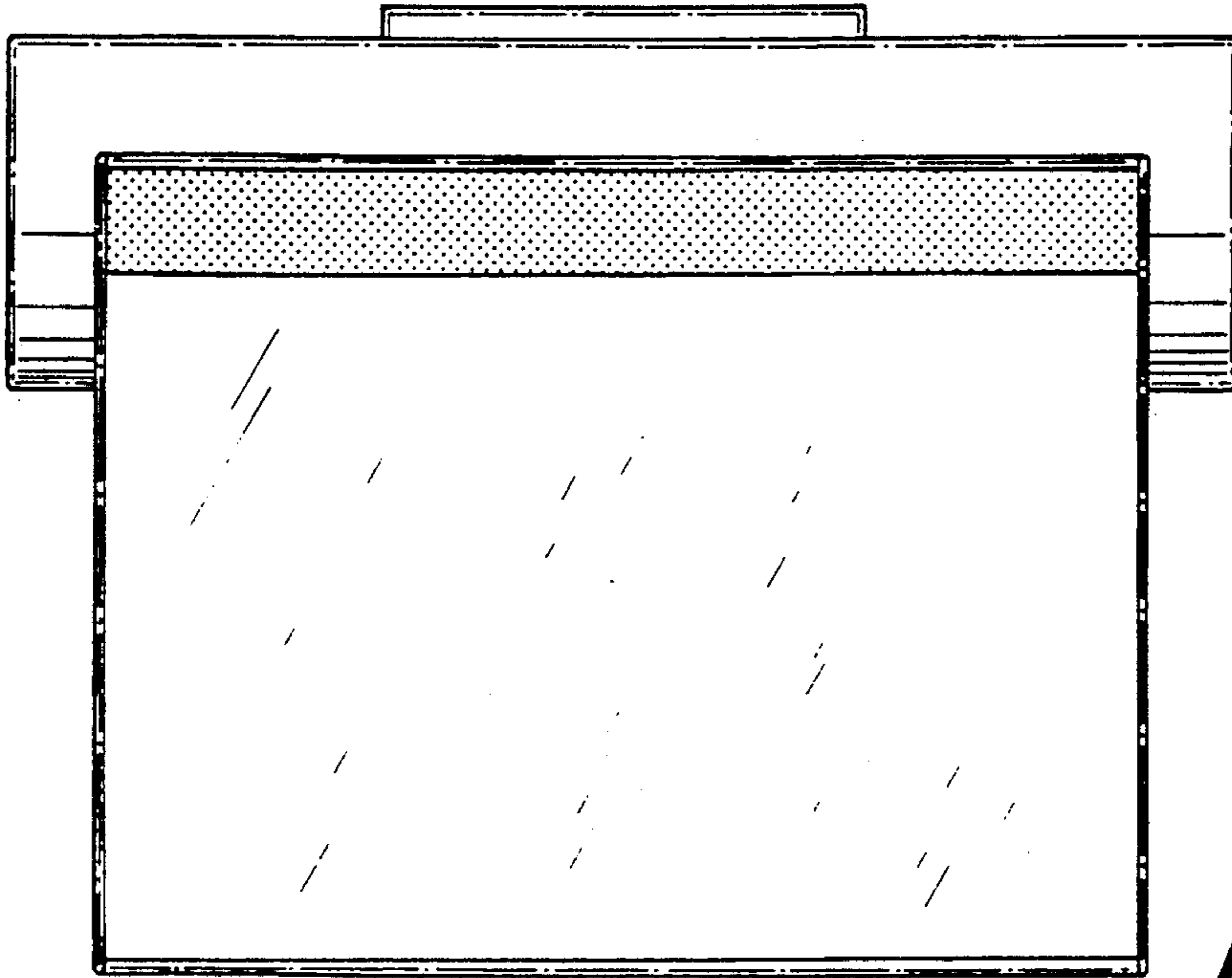


FIG. 6

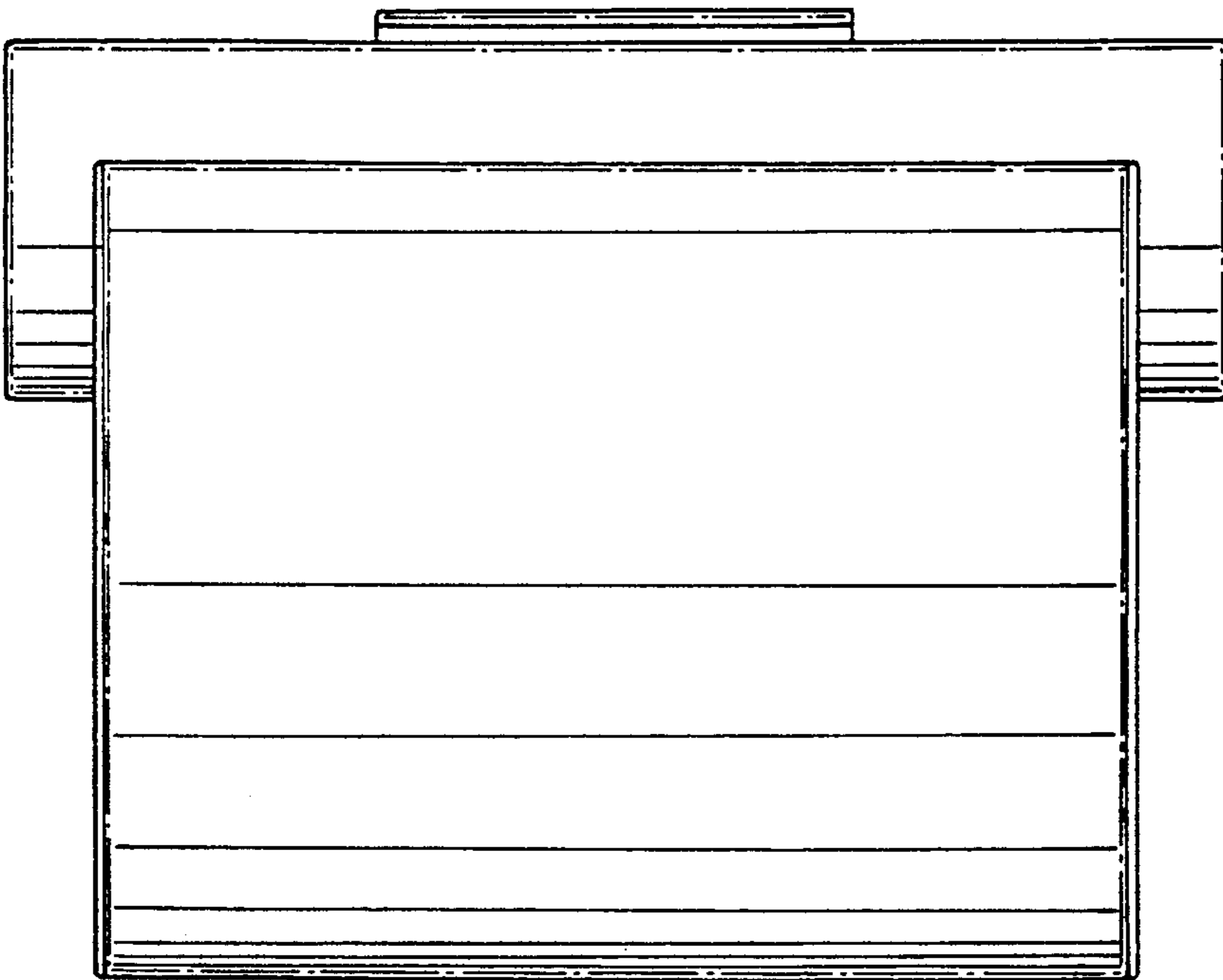


FIG. 7