



US00D329919S

United States Patent [19]

[11] Patent Number: **Des. 329,919**

Jahn

[45] Date of Patent: **** Sep. 29, 1992**

[54] **SUSPENDED FLUORESCENT LIGHTING FIXTURE**

[75] Inventor: **Gerhard Jahn, Secaucus, N.J.**

[73] Assignee: **Zumtobel Lighting, Inc., Garfield, N.J.**

[**] Term: **14 Years**

[21] Appl. No.: **641,361**

[22] Filed: **Jan. 15, 1991**

[52] U.S. Cl. **D26/77**

[58] Field of Search **D26/75, 76, 77, 78, D26/128, 130, 72, 80-92; 362/147, 404-408**

[56] **References Cited**

U.S. PATENT DOCUMENTS

- D. 112,634 12/1938 Devol, Jr. D26/76
- D. 157,547 2/1950 Versen D26/77
- 2,299,870 10/1942 Arras D26/90 X
- 4,494,175 1/1985 Gawad et al. 362/404 X

Primary Examiner—Susan J. Lucas

Attorney, Agent, or Firm—Anderson Kill Olick & Oshinsky

[57] **CLAIM**

The ornamental design for a suspended fluorescent lighting fixture, as shown and described.

DESCRIPTION

FIG. 1 is a front, left end perspective view of a suspended fluorescent lighting fixture showing my new design, the rear and right end view being a mirror image;

FIG. 2 is a fragmentary front, left end perspective view thereof on an enlarged scale;

FIG. 3 is a bottom plan view thereof;

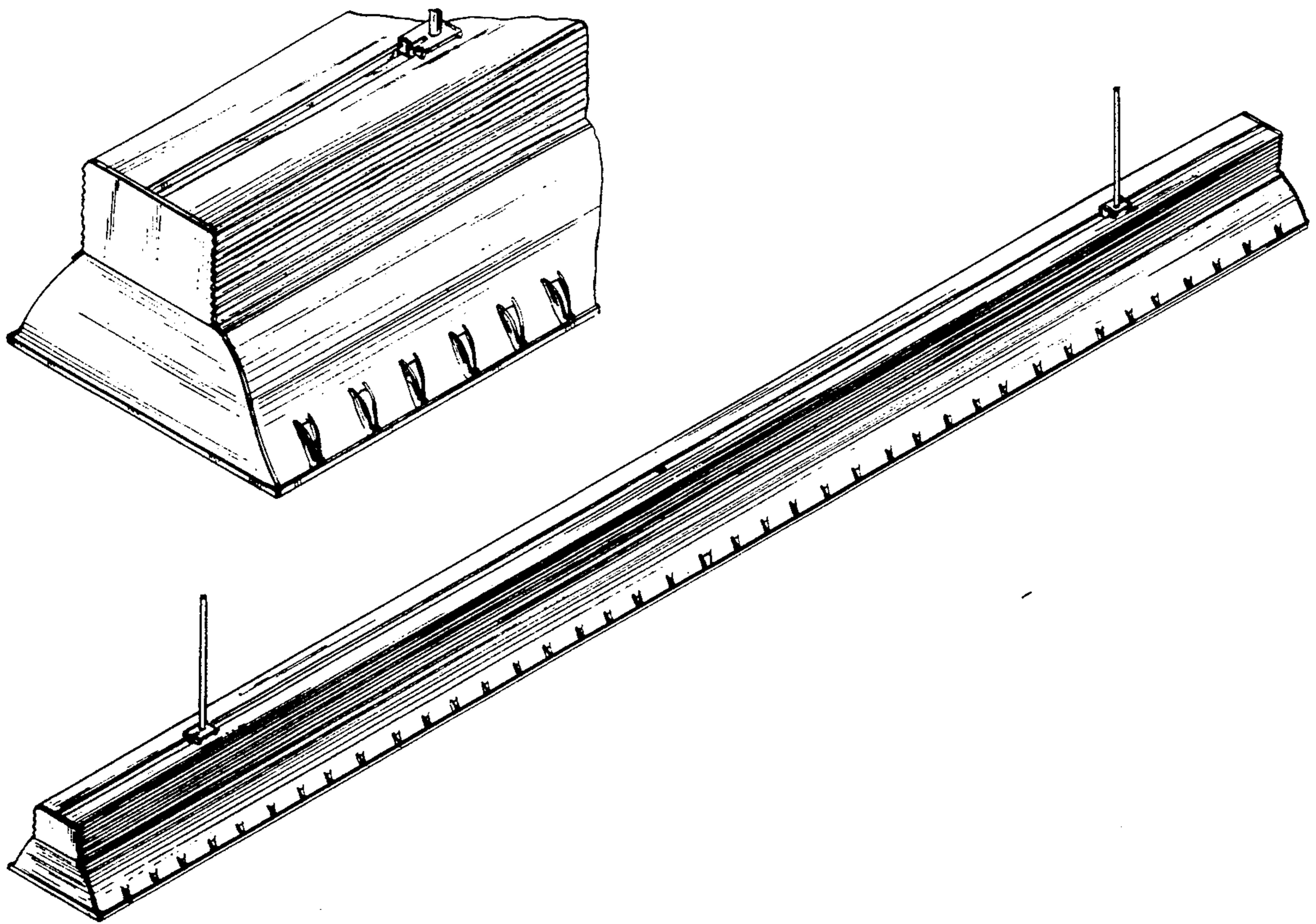
FIG. 4 is a fragmentary front elevational view thereof on an enlarged scale;

FIG. 5 is a front, left end perspective view of a second embodiment of my new design, the rear and right end view being a mirror image;

FIG. 6 is a fragmentary front elevational view thereof on an enlarged scale; and,

FIG. 7 is a bottom plan view thereof.

The fixture is fragmentarily shown in FIGS. 1, 2, 4 and 6 for convenience of illustration.



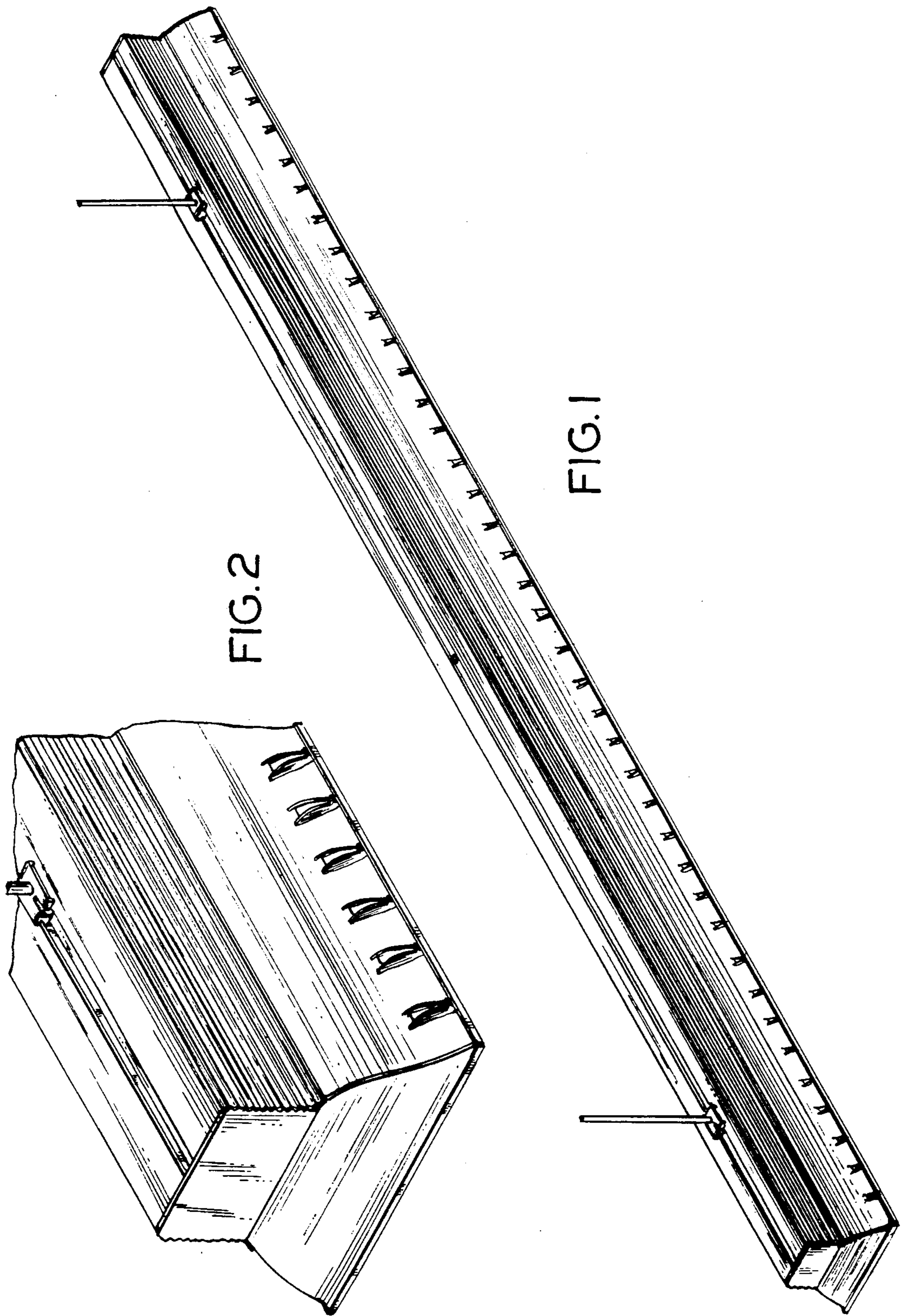


FIG. 2

FIG. 1

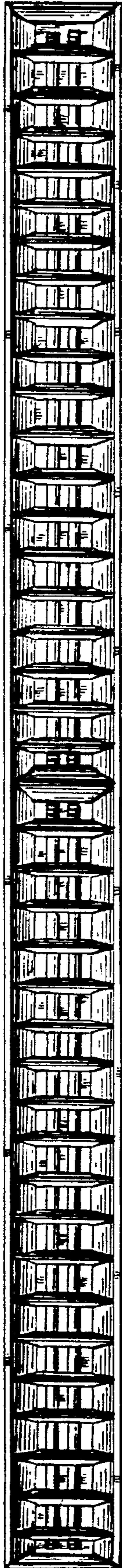


FIG. 3

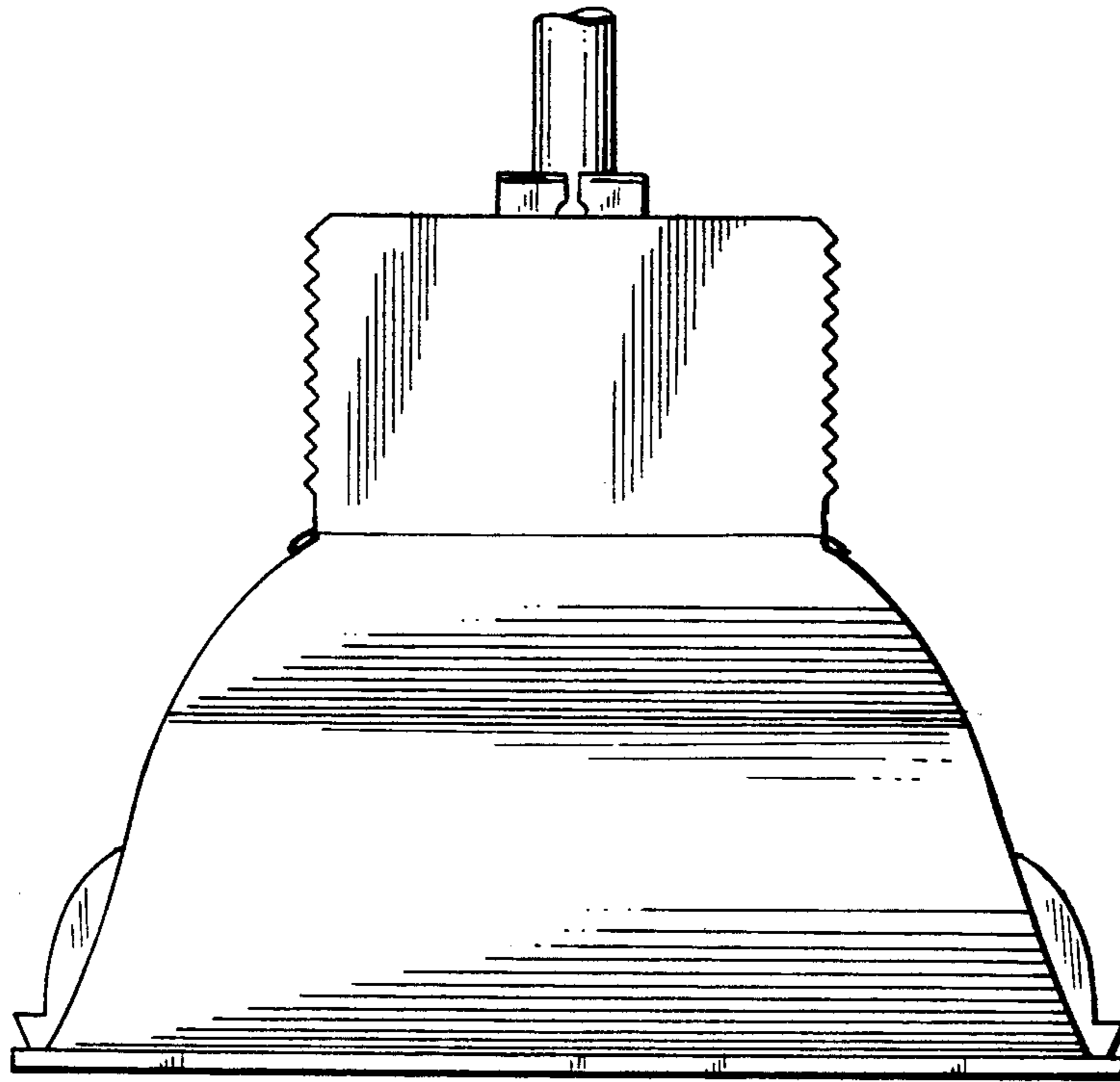


FIG. 4

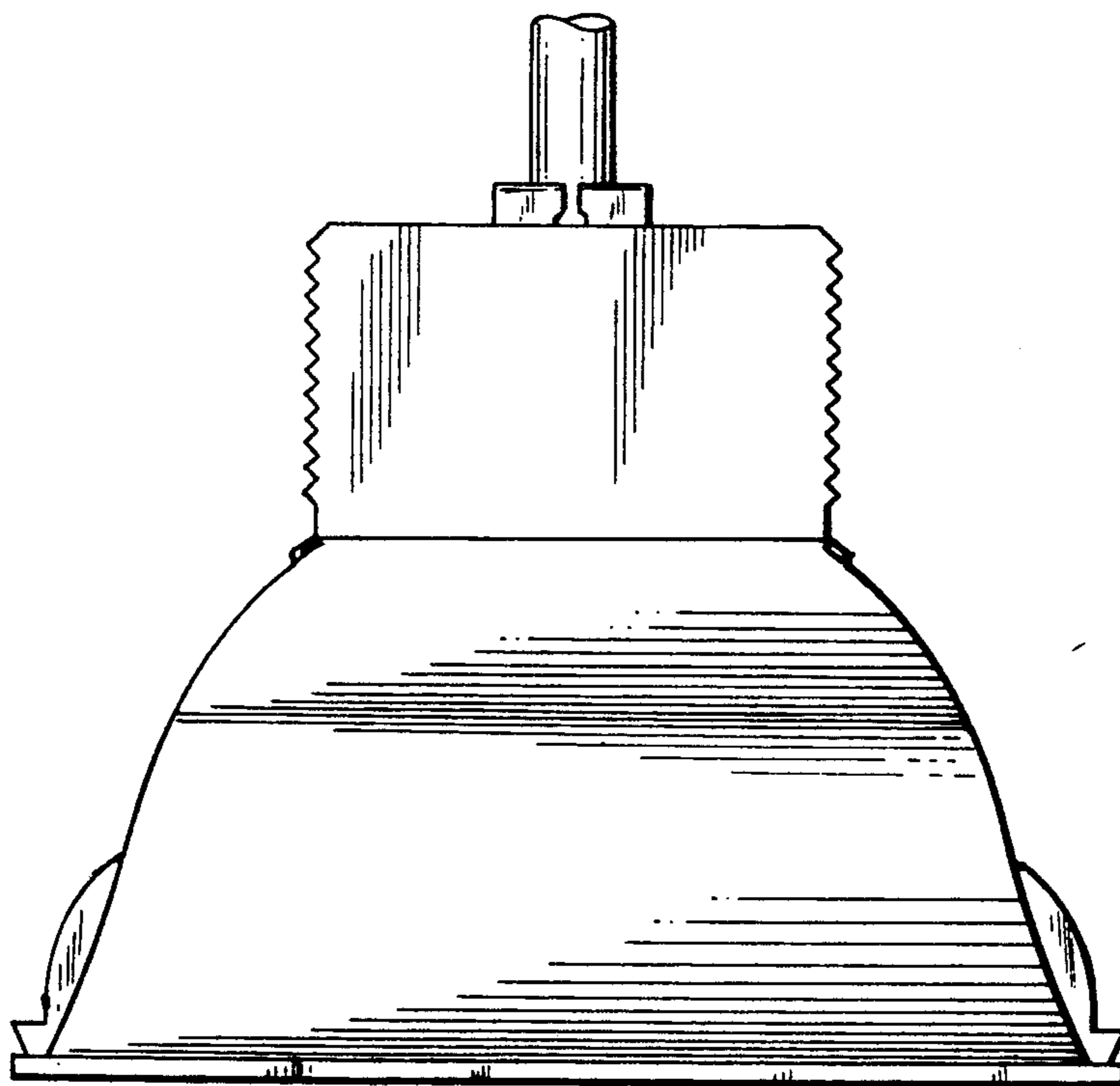


FIG. 6

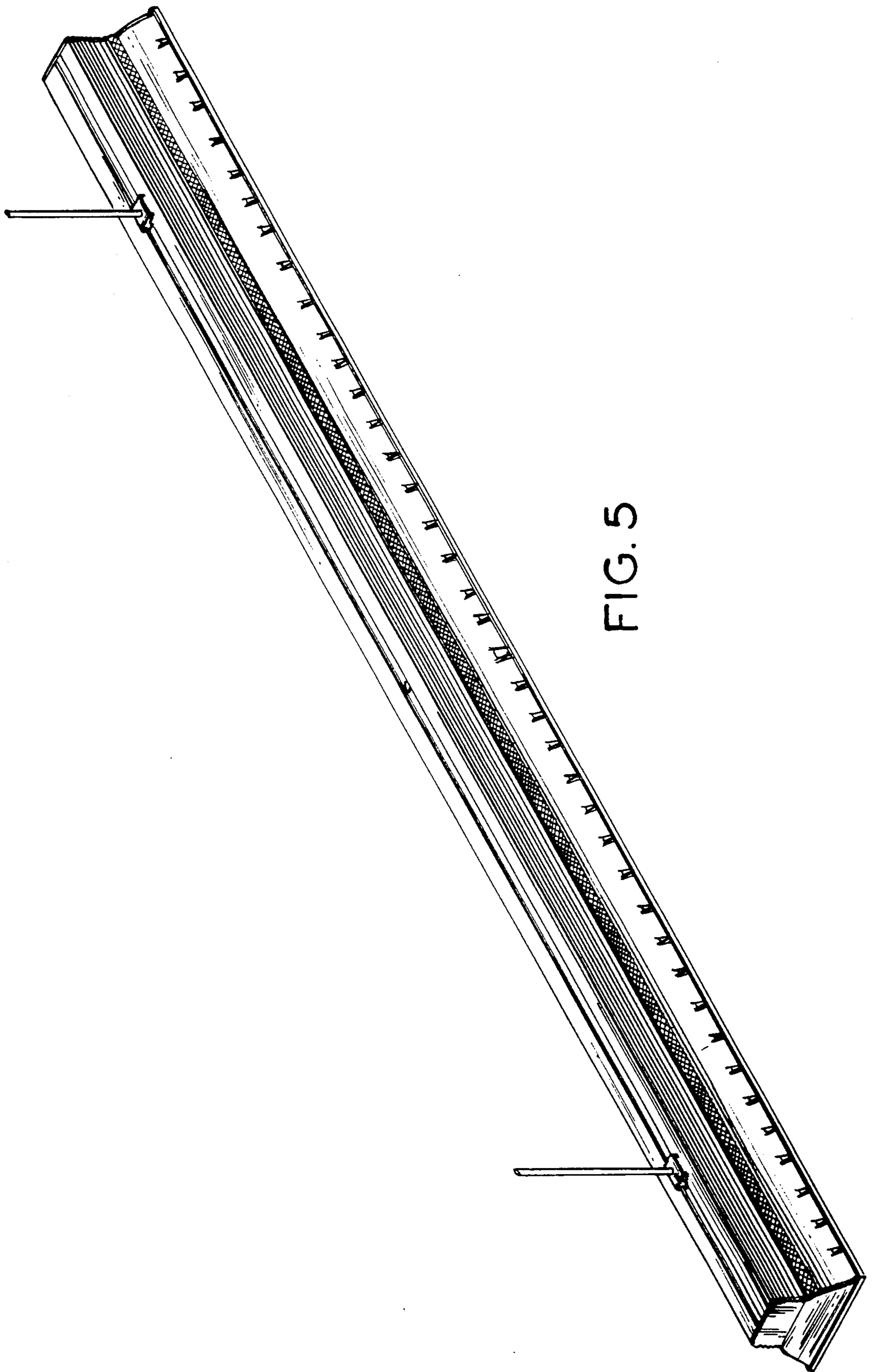


FIG. 5

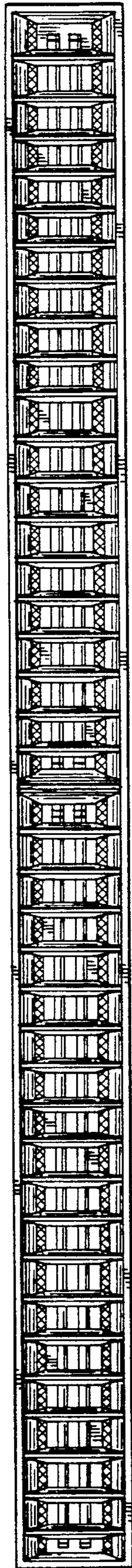


FIG. 7