



US00D329917S

United States Patent [19]

Galerne

[11] Patent Number: **Des. 329,917**

[45] Date of Patent: **** Sep. 29, 1992**

[54] **ARC LAMP FOR MOTION PICTURE PHOTOGRAPHY**

4,504,888 3/1985 Rosenthal 362/18
4,692,844 9/1987 Galerne 362/3

[76] Inventor: **Jean Galerne**, 11 Rue Beauregard, Fresnel-Guerville 78930, France

Primary Examiner—Susan J. Lucas
Attorney, Agent, or Firm—Beehler & Pavitt

[**] Term: **14 Years**

[57] **CLAIM**

[21] Appl. No.: **451,727**

The ornamental design for arc lamp for motion picture photography, as shown and described.

[22] Filed: **Dec. 15, 1989**

[52] U.S. Cl. **D26/63**

DESCRIPTION

[58] **Field of Search** 362/147, 362, 3, 11, 362/12, 16, 18, 282, 285, 269, 427, 404, 267, 275, 418, 419, 373

FIG. 1 is a top, rear, right side perspective view of an arc lamp for motion picture photography showing my new design;

[56] **References Cited**

U.S. PATENT DOCUMENTS

- D. 159,199 7/1950 Greppin D26/63
- D. 304,623 11/1989 Roulstone D26/63
- 3,116,022 12/1963 Davis D26/63 X

FIG. 2 is a rear elevational view thereof;

FIG. 3 is a bottom plan view thereof;

FIG. 4 is a left side elevational view thereof;

FIG. 5 is a front elevational view thereof;

FIG. 6 is a top plan view thereof; and,

FIG. 7 is a right side elevational view thereof.

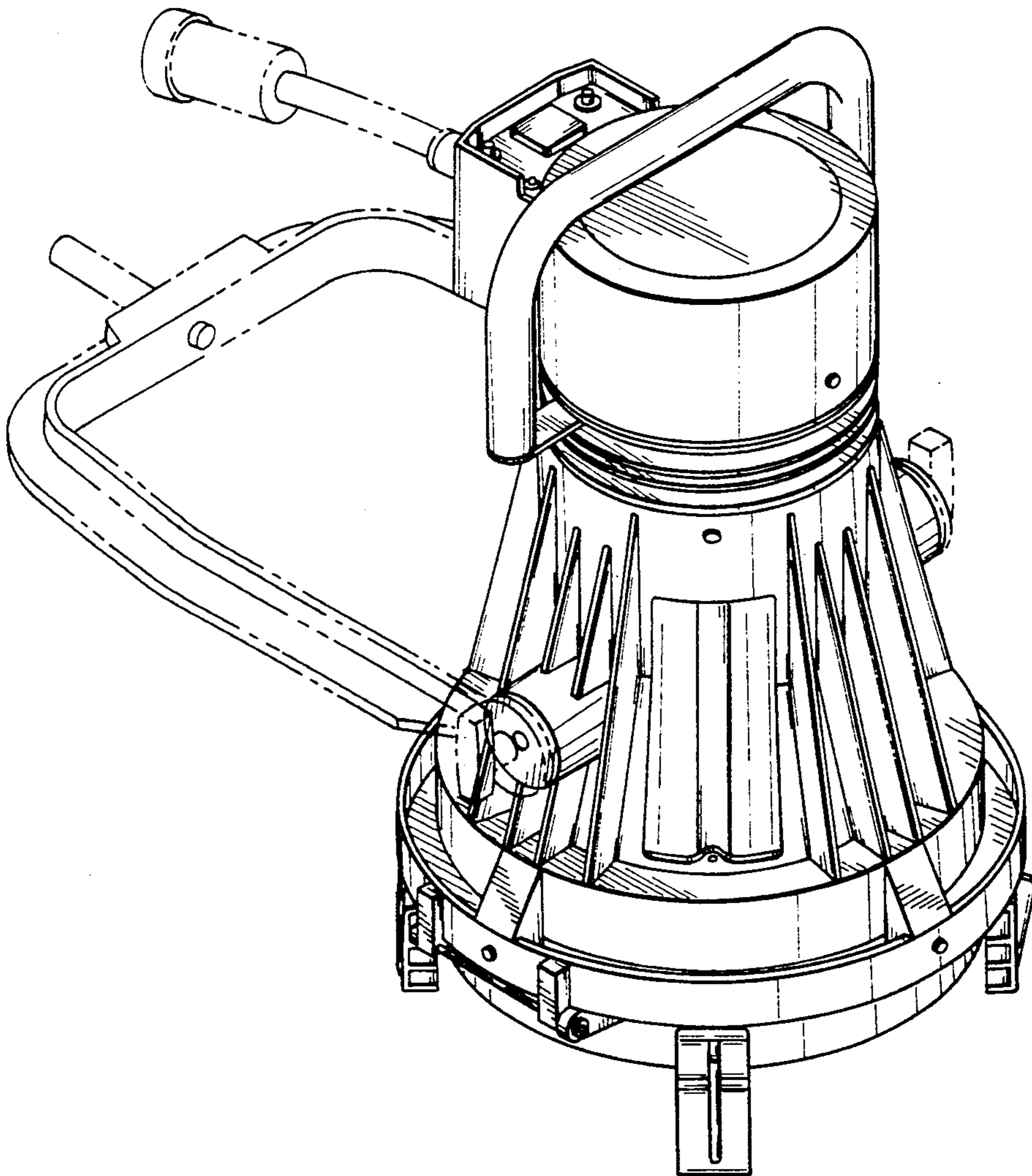
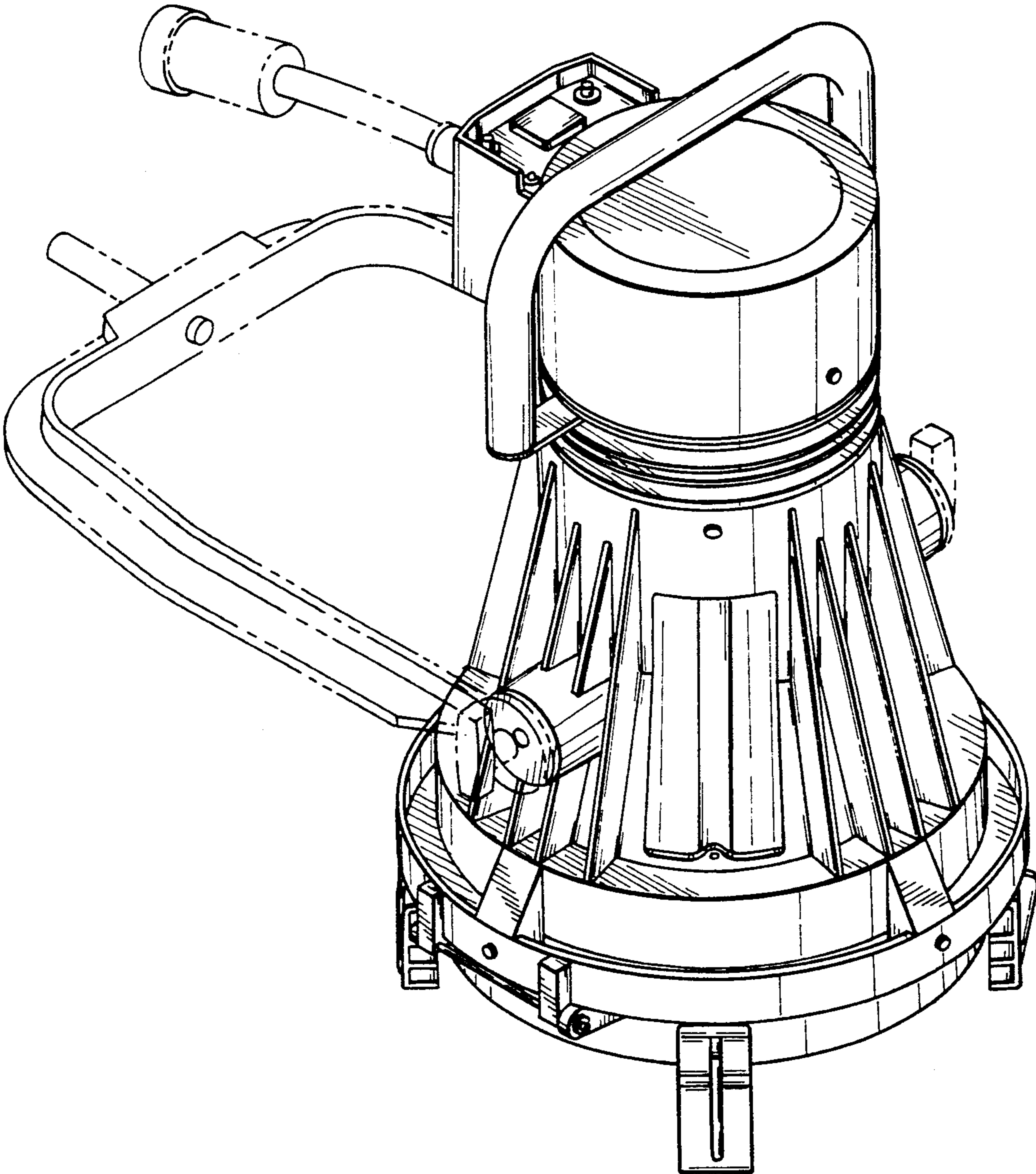


Fig. 1



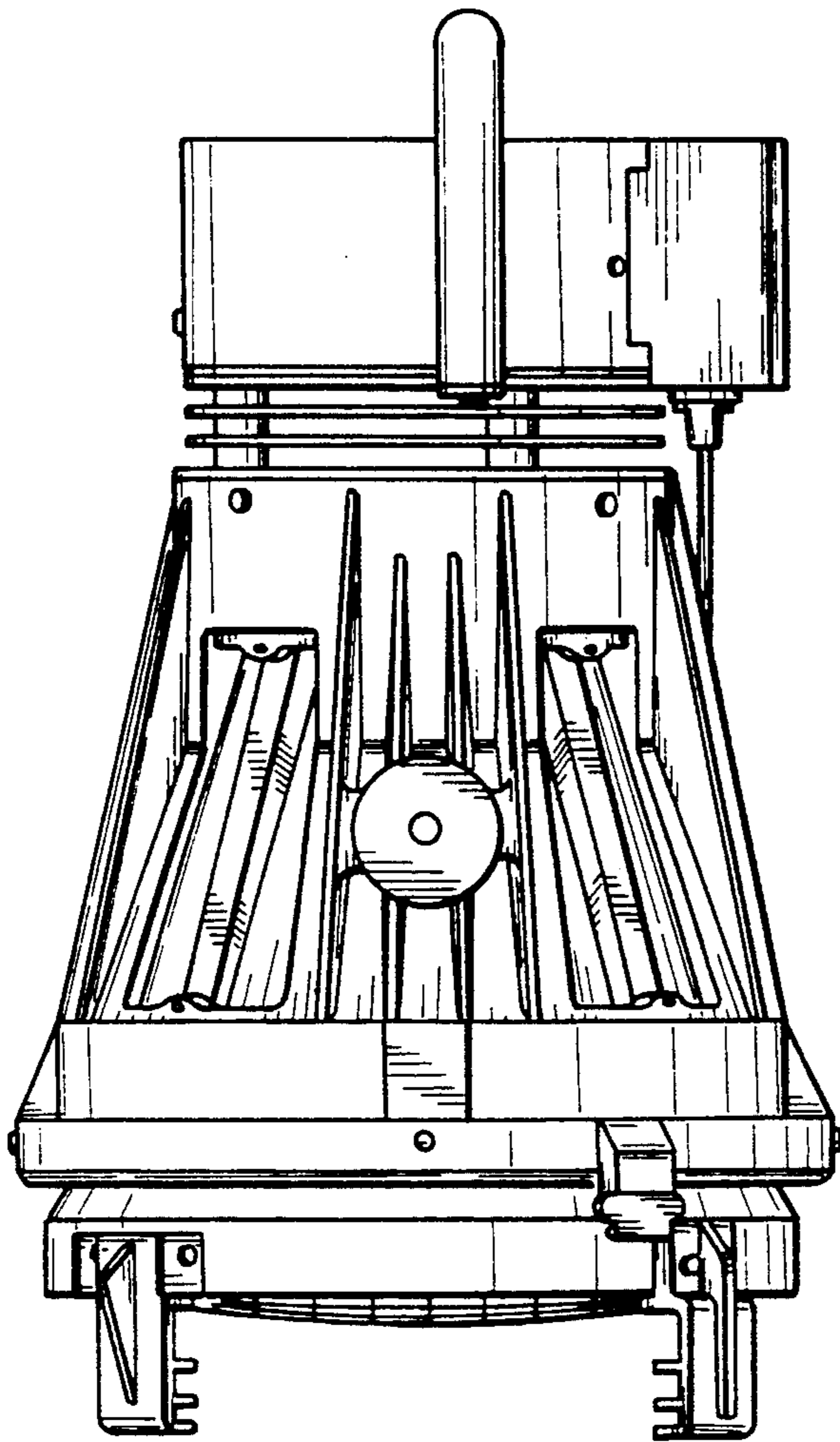
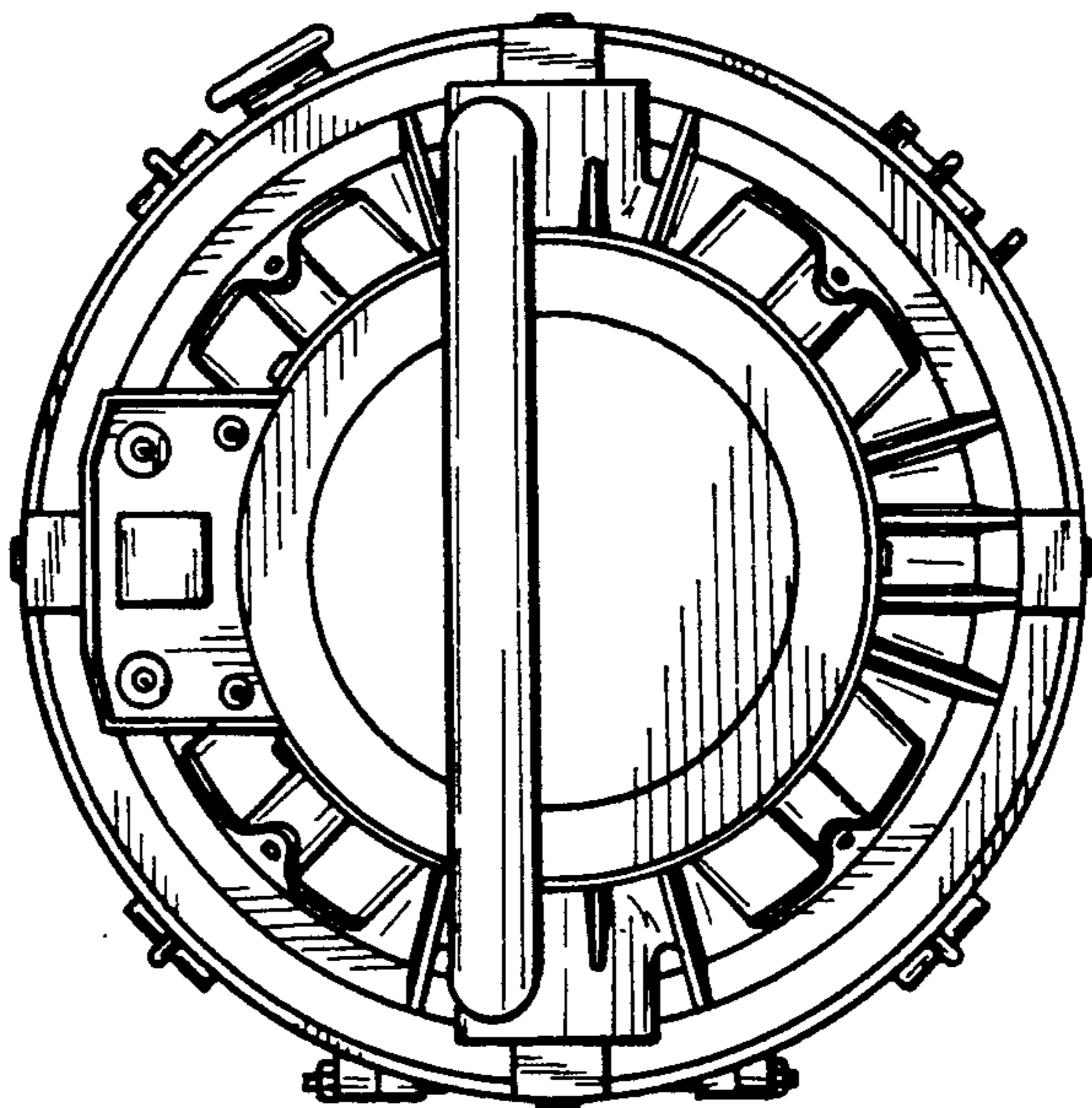


Fig. 4

Fig. 2



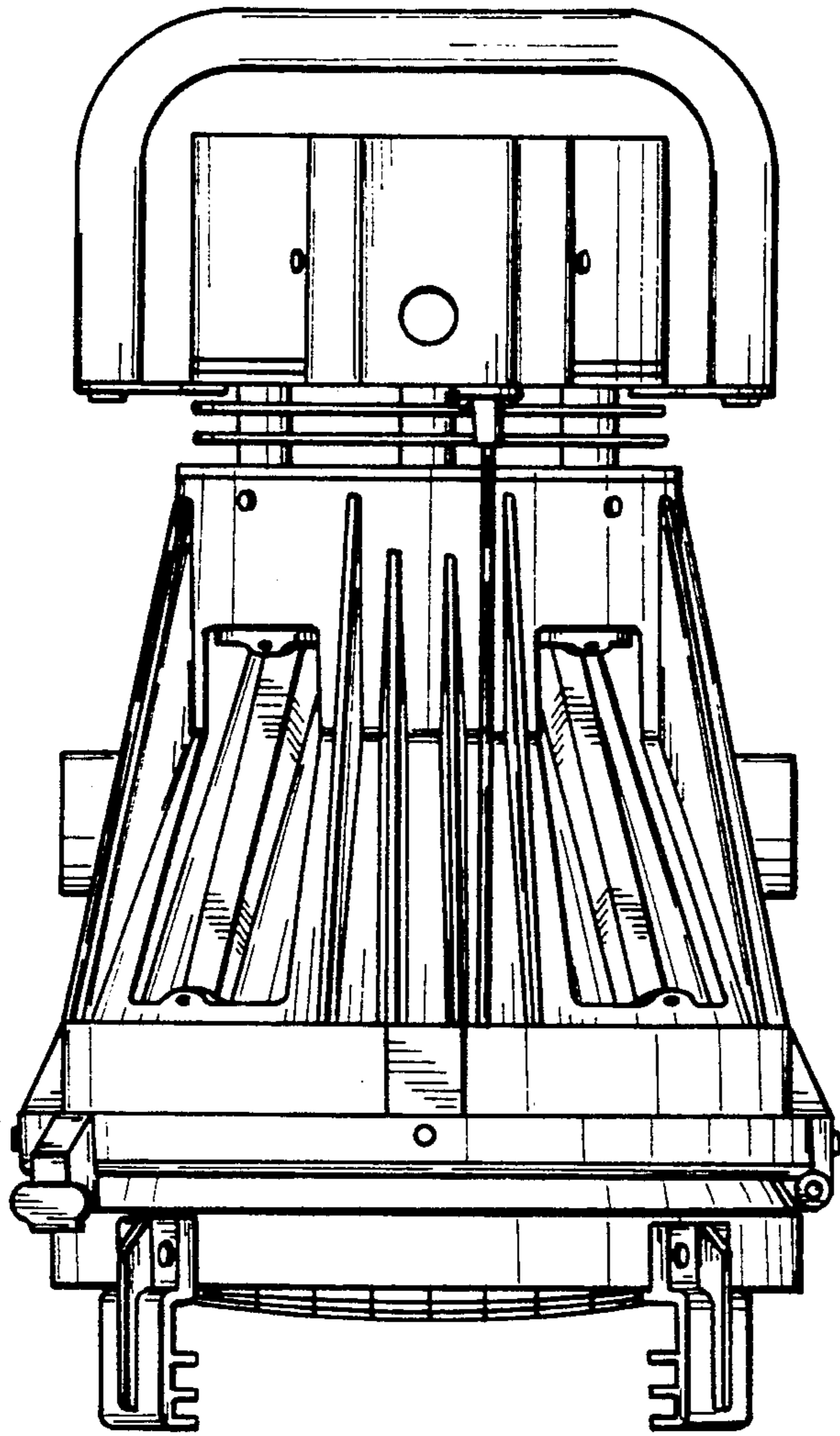


Fig. 3

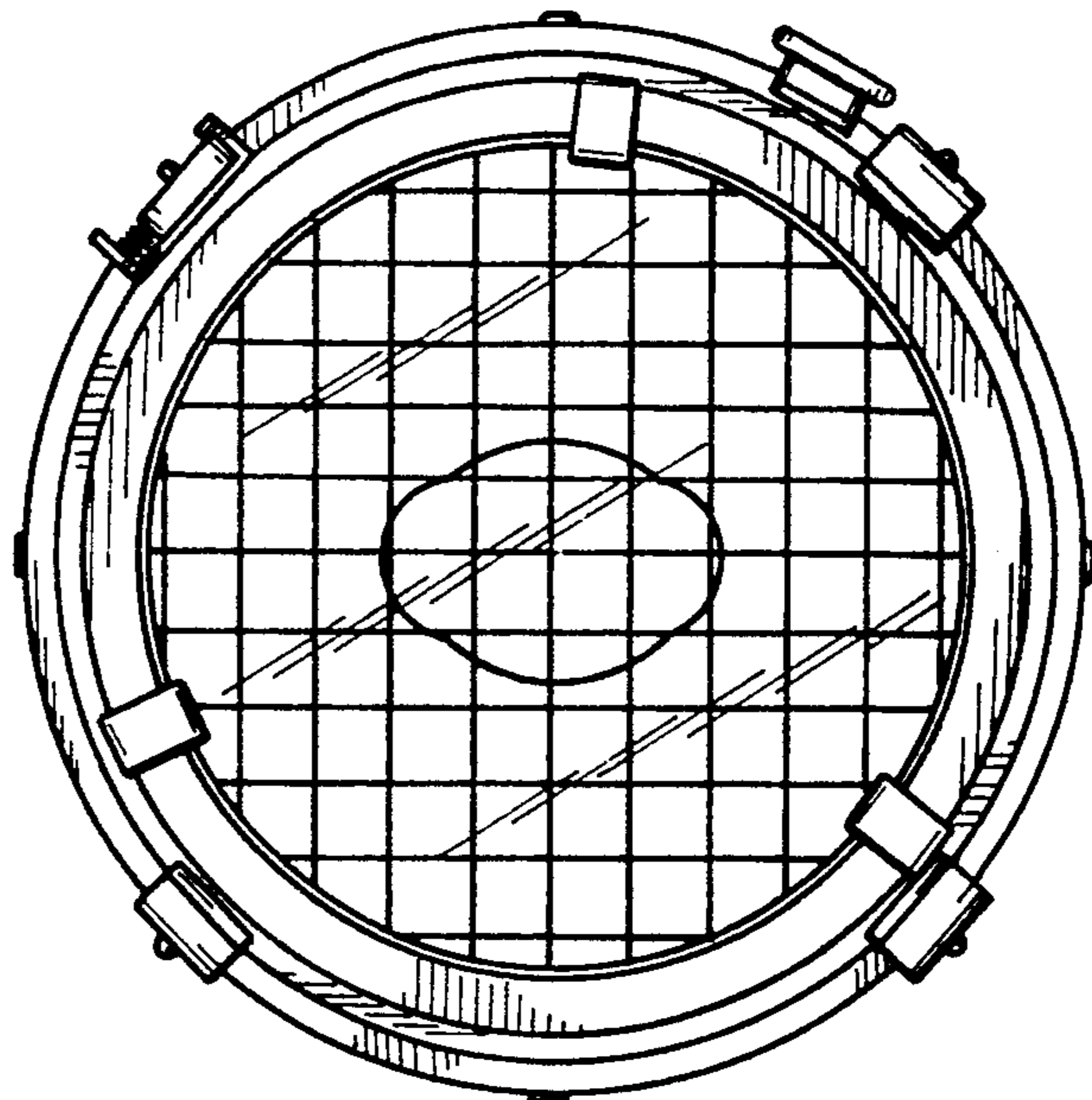


Fig. 5

Fig. 6

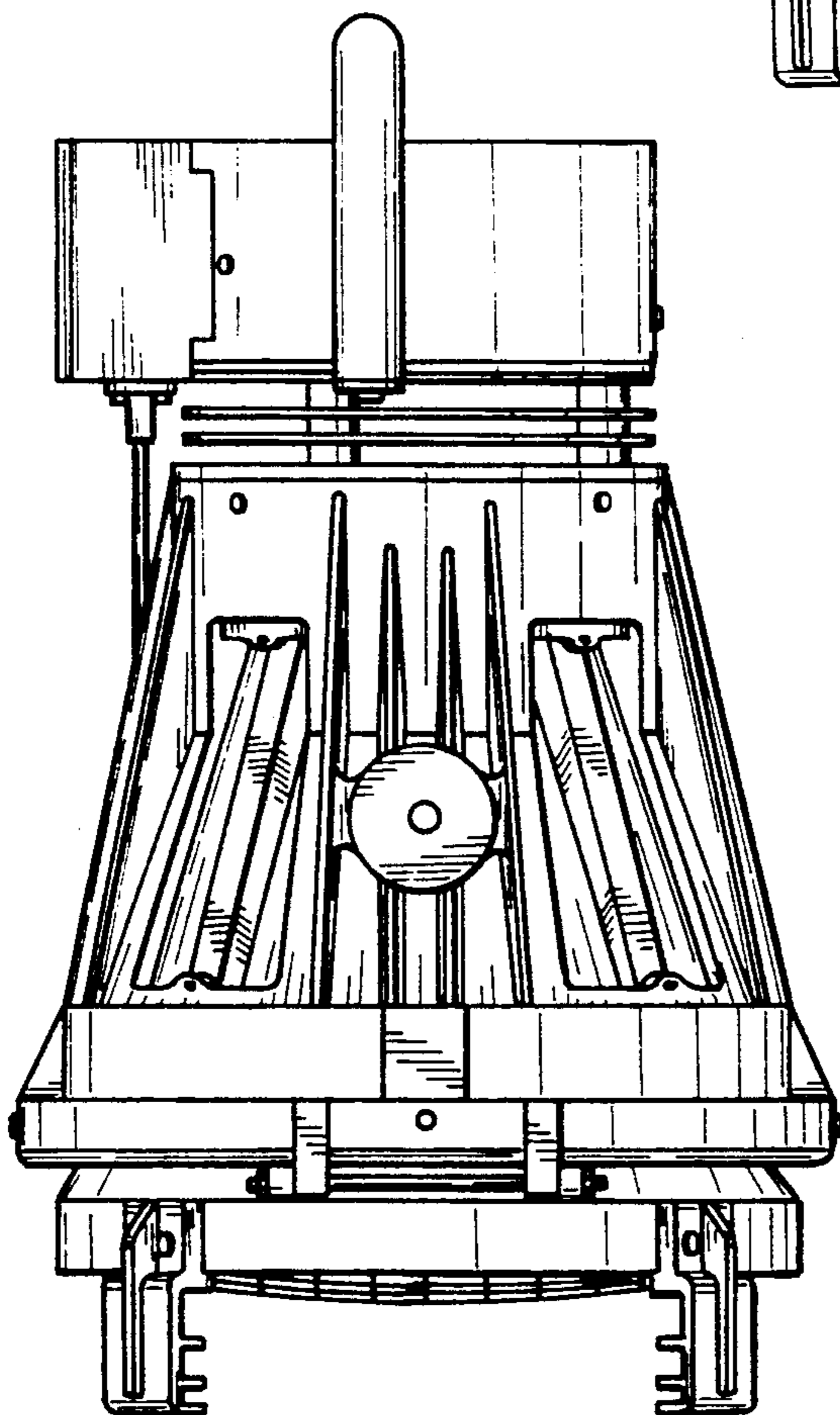
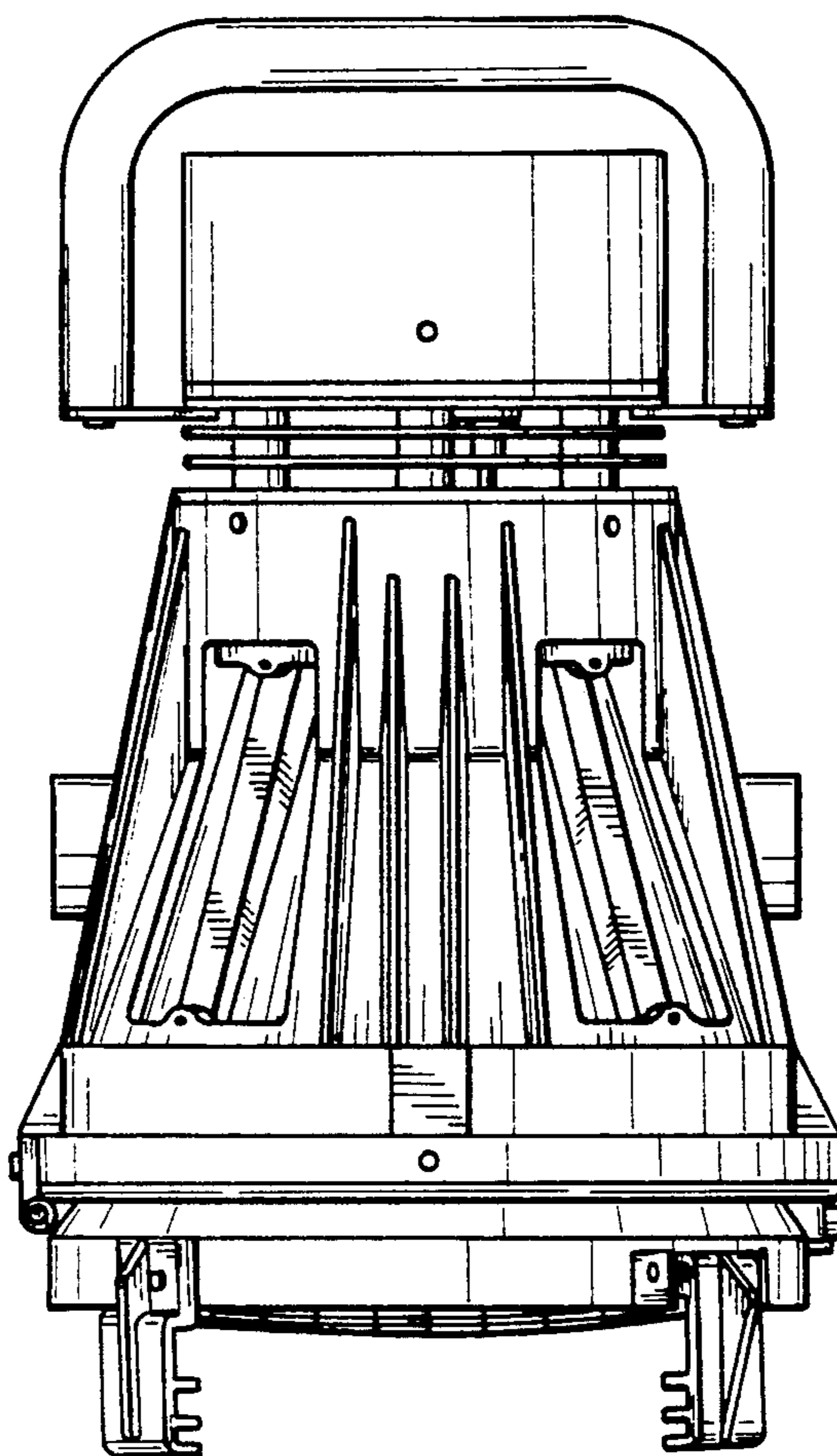


Fig. 7