



US00D329914S

United States Patent [19]

[11] Patent Number: **Des. 329,914**

Veilleux

[45] Date of Patent: **** Sep. 29, 1992**

- [54] **BOARD FOR FLOORING**
- [75] Inventor: **Clément Veilleux, St-Basile-Le Grand, Canada**
- [73] Assignee: **Les Profiles D'Extrusion Plastival Inc., Laval, Canada**
- [**] Term: **14 Years**
- [21] Appl. No.: **498,375**
- [22] Filed: **Mar. 26, 1990**
- [52] U.S. Cl. **D25/138; D25/156**
- [58] Field of Search **D25/138, 119-122, D25/151-156, 157-159; 52/384, 387, 579, 588, 593, 600, 615, 635; 404/19, 17, 34, 39, 35, 36, 37**

- 3,435,575 4/1969 Pottiez D25/122
- 3,450,010 6/1969 Harvey 404/37
- 3,555,762 1/1971 Costanzo, Jr. D25/58

Primary Examiner—A. Hugo Word
Assistant Examiner—Doris Clark
Attorney, Agent, or Firm—Robic

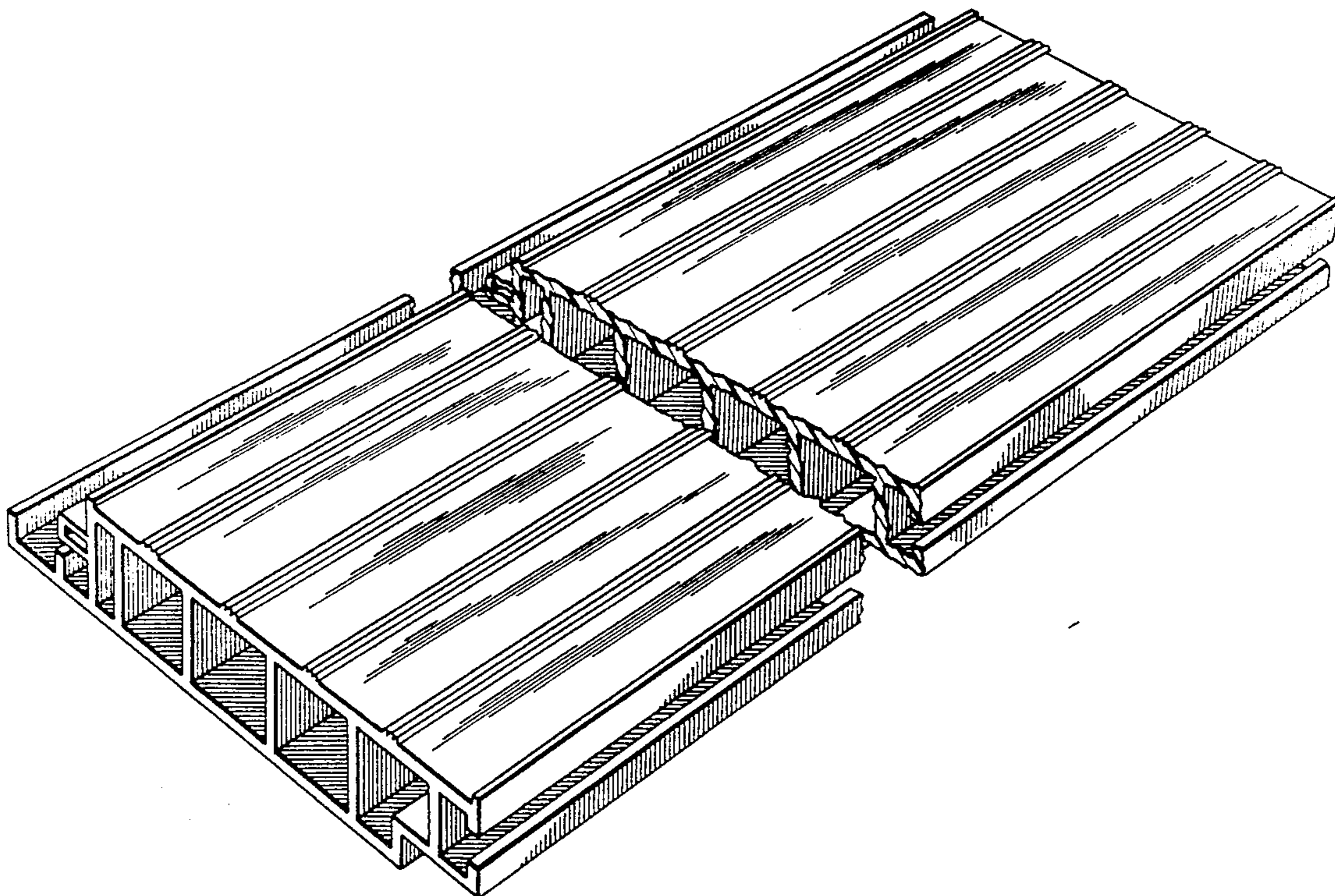
[57] CLAIM

The ornamental design for a board for flooring, as shown and described.

DESCRIPTION

FIG. 1 is a perspective view of a board for flooring showing my new design, the board for flooring is broken in the center to indicate indeterminate length; FIG. 2 is a top plan view thereof; FIG. 3 is a bottom plan view thereof; FIG. 4 is a left side elevational view thereof; FIG. 5 is a right side elevational view thereof; FIG. 6 is a rear elevational view thereof; FIG. 7 is a front elevational view thereof; and, FIG. 8 is an enlarged fragmentary right side perspective view thereof.

- [56] **References Cited**
- U.S. PATENT DOCUMENTS**
- D. 184,821 4/1959 Lisker, Jr. D25/156
- 976,182 11/1910 Jones 52/635
- 2,457,129 12/1948 Collings D25/120
- 2,742,121 4/1956 Lisker, Jr. 404/19
- 3,260,027 7/1966 Page et al. D25/122



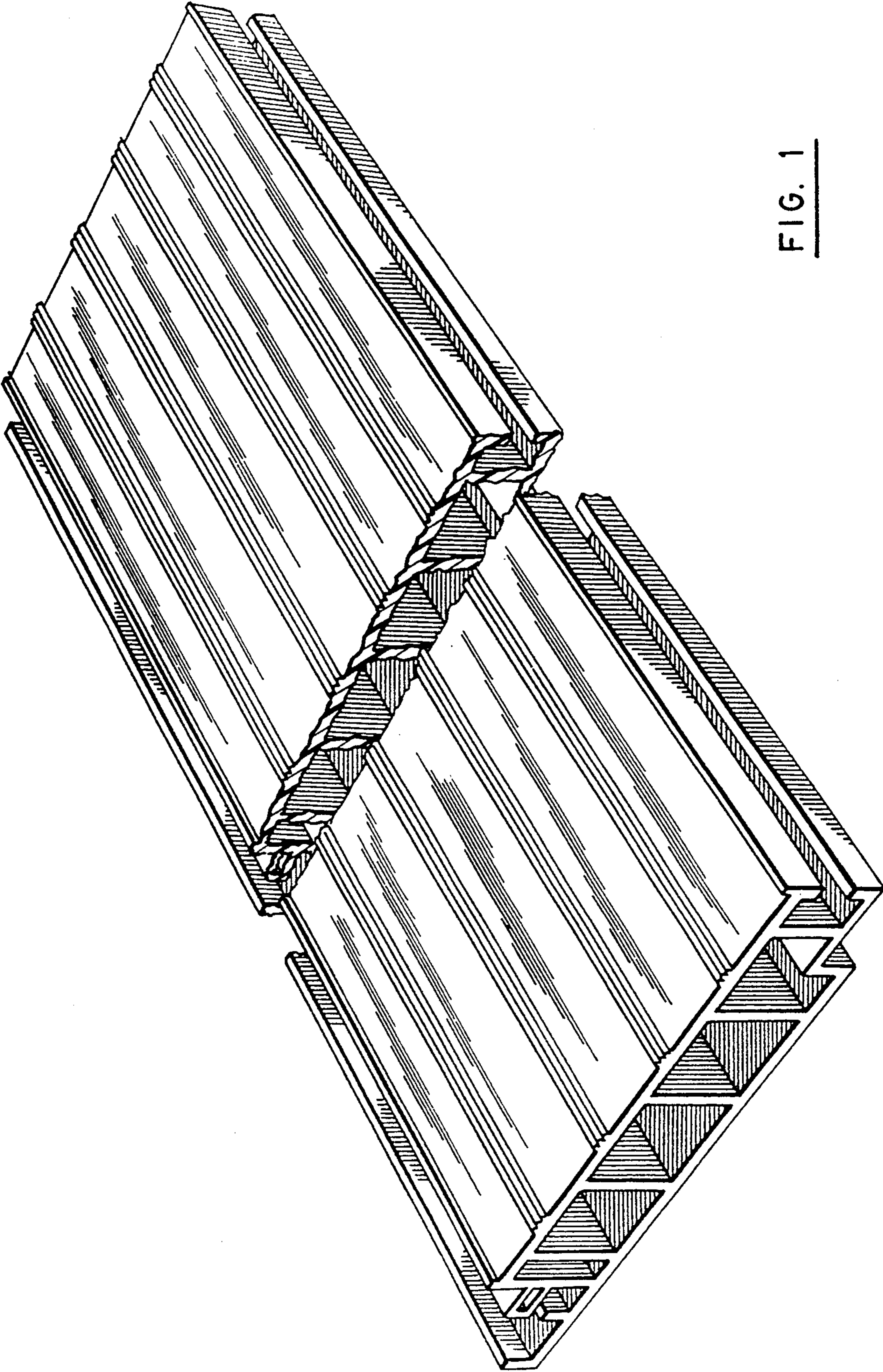


FIG. 1

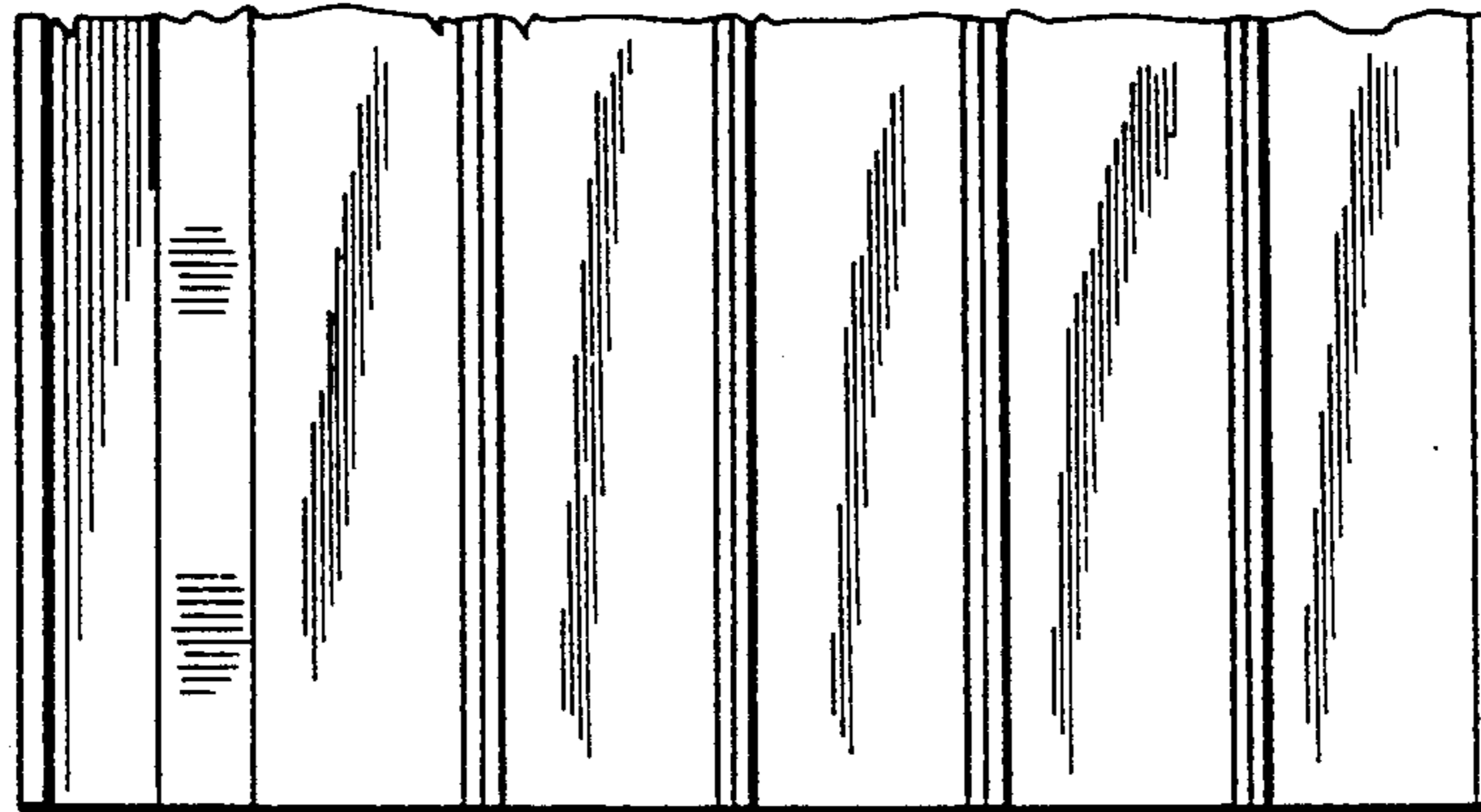
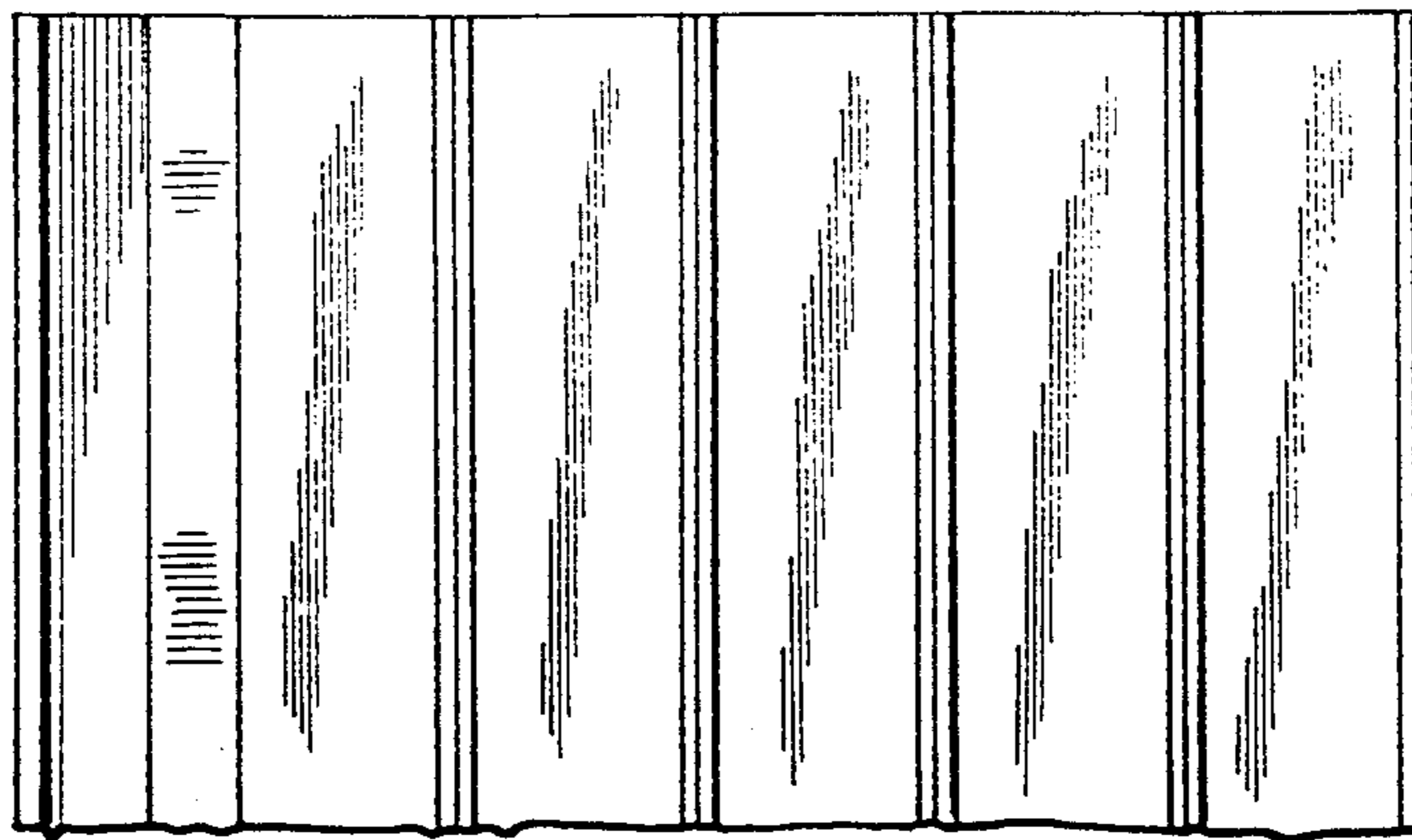
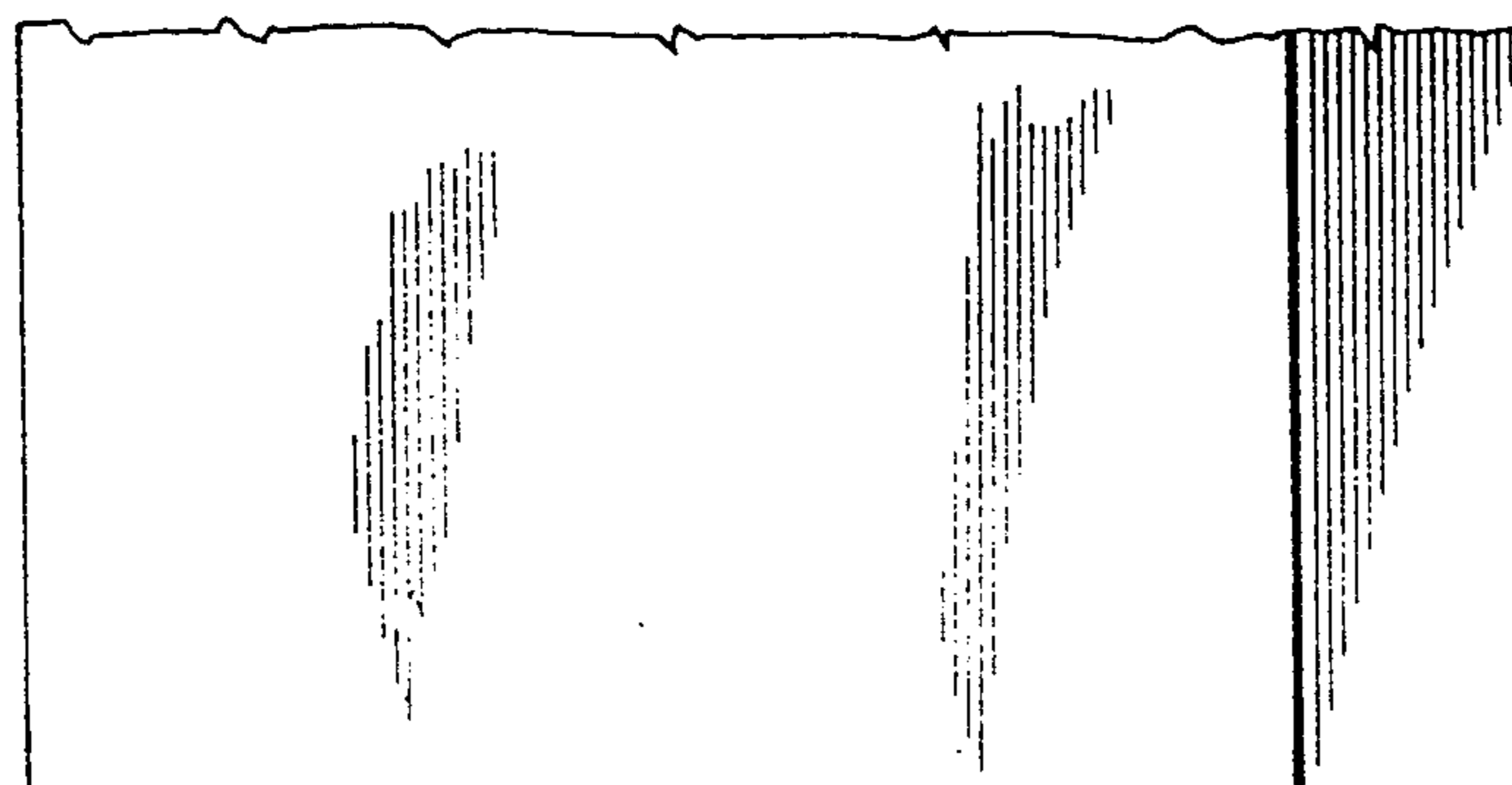
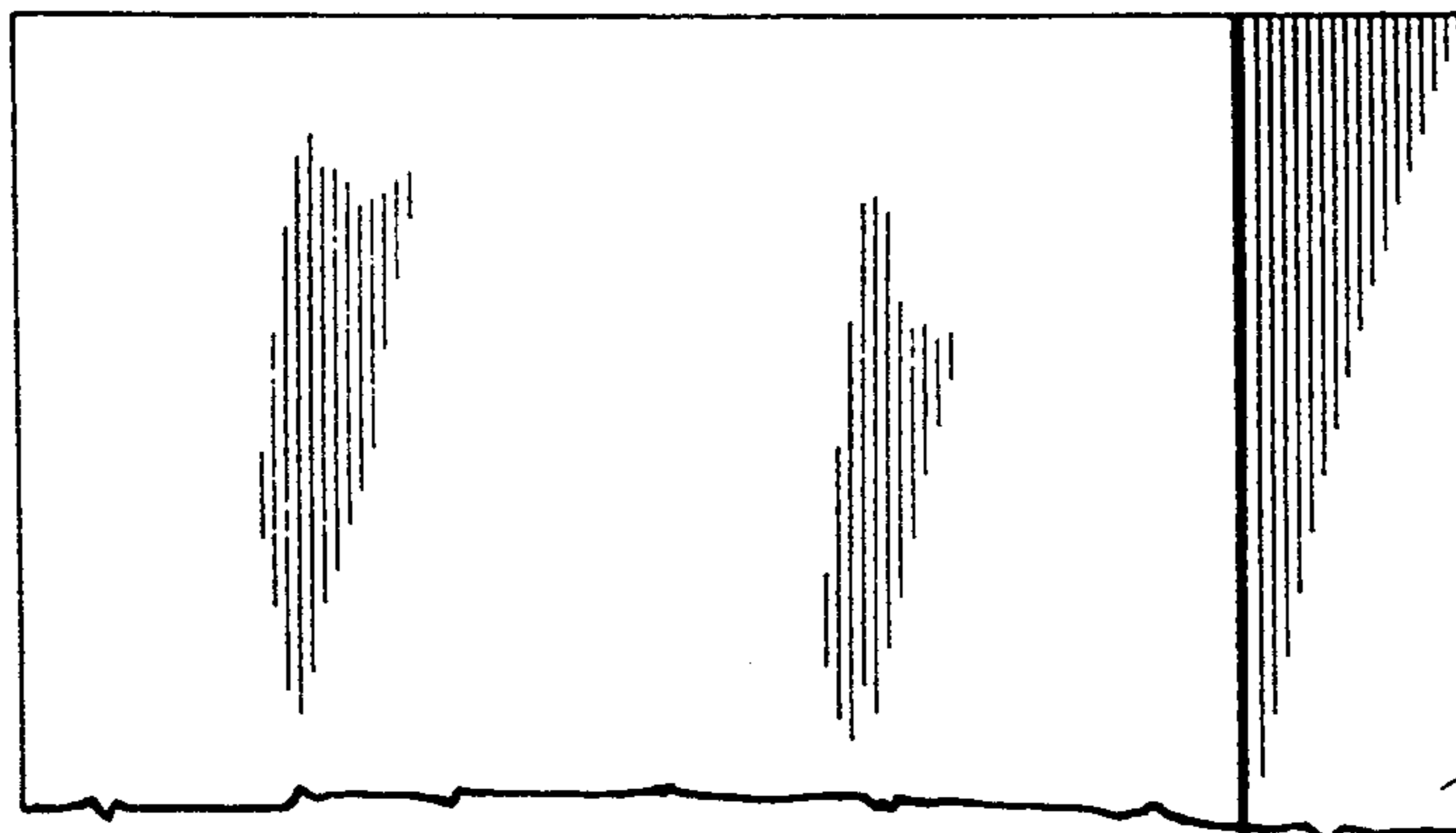


FIG. 2

FIG. 3



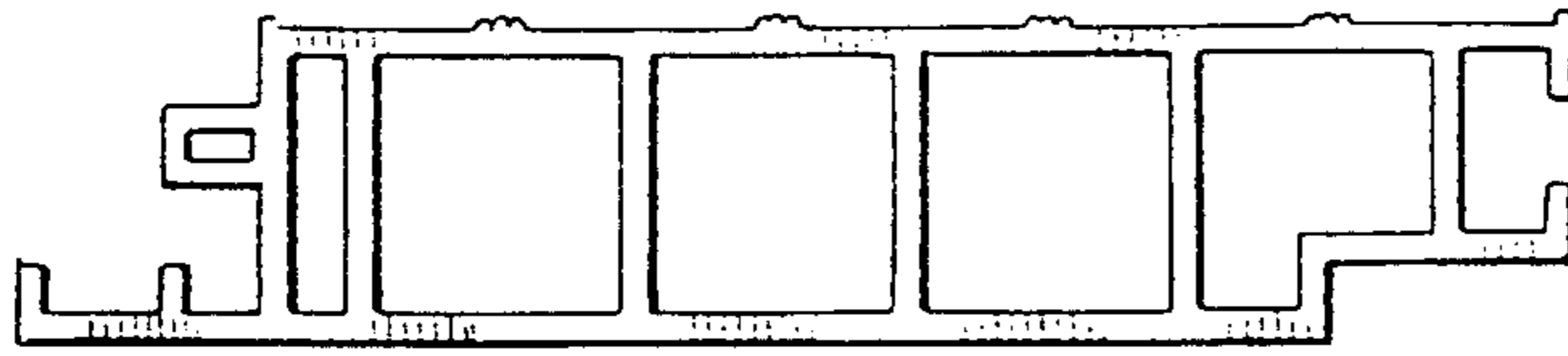


FIG. 4

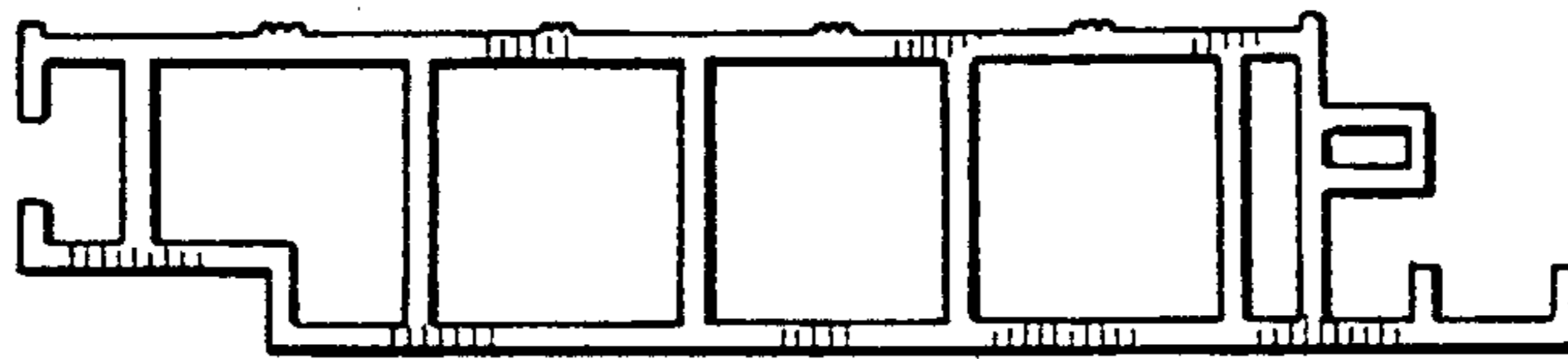


FIG. 5

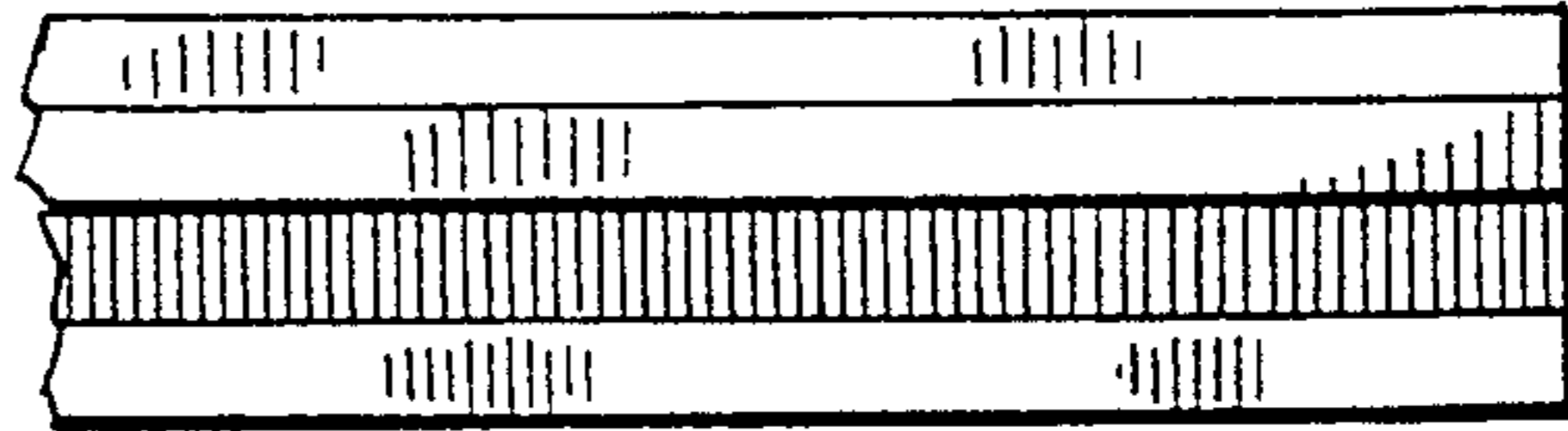
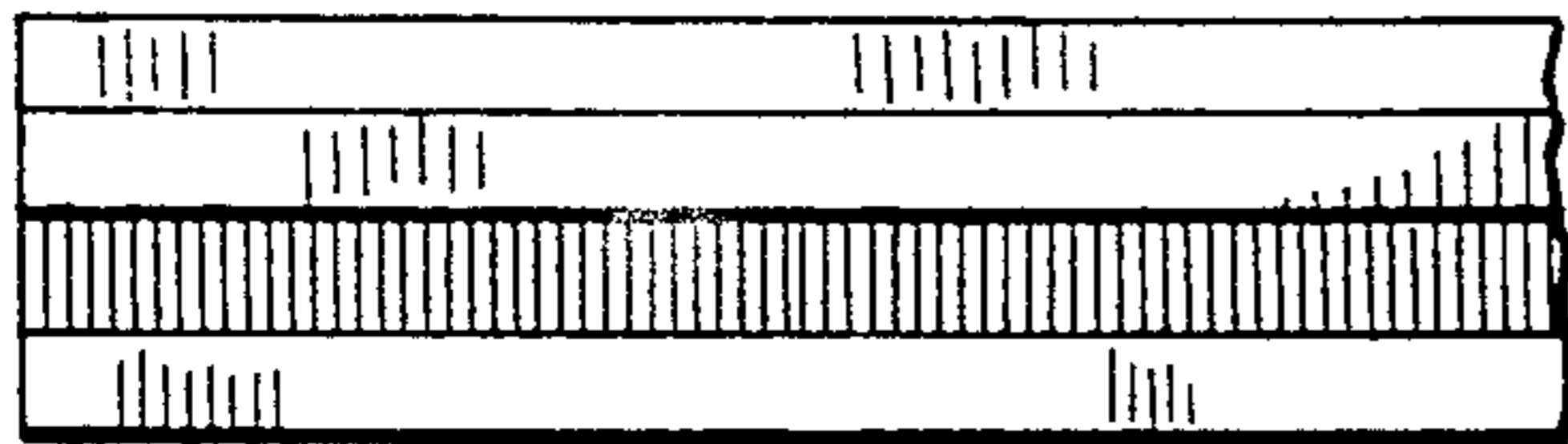


FIG. 6

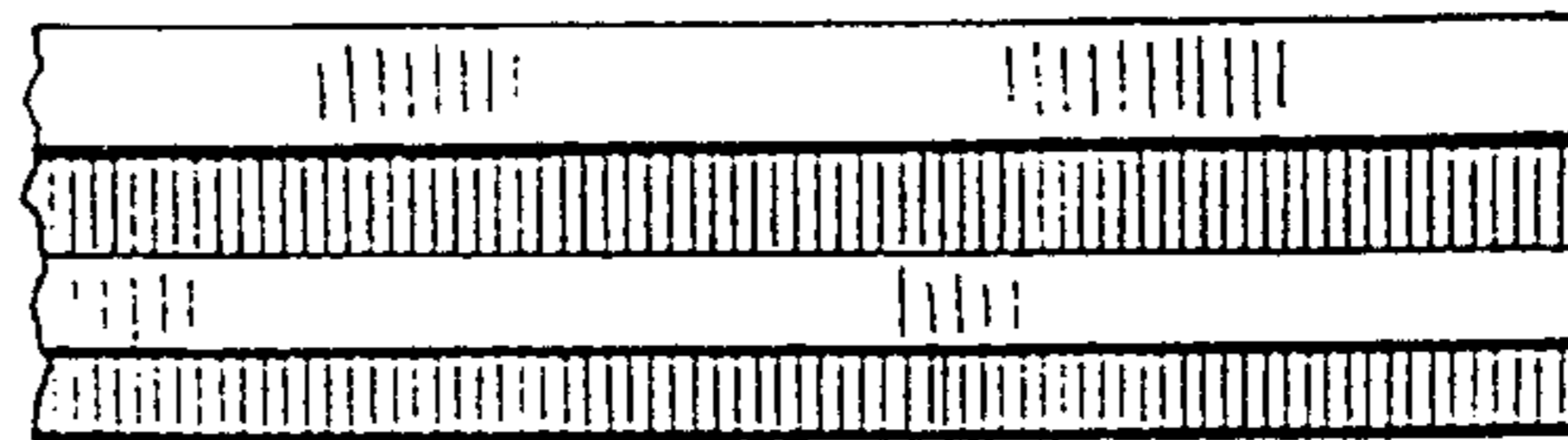
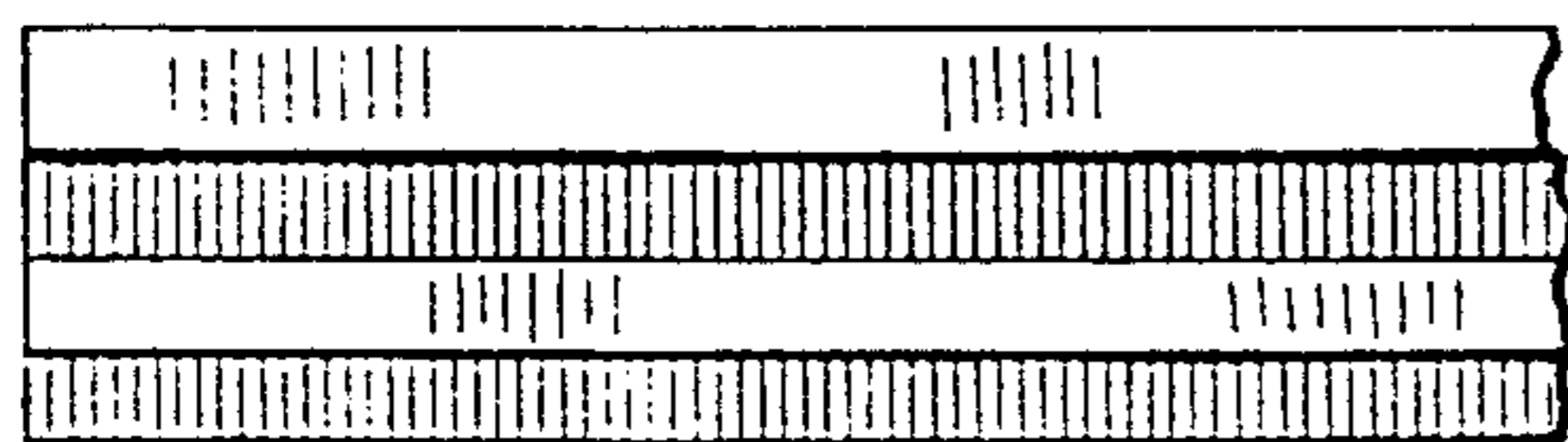


FIG. 7

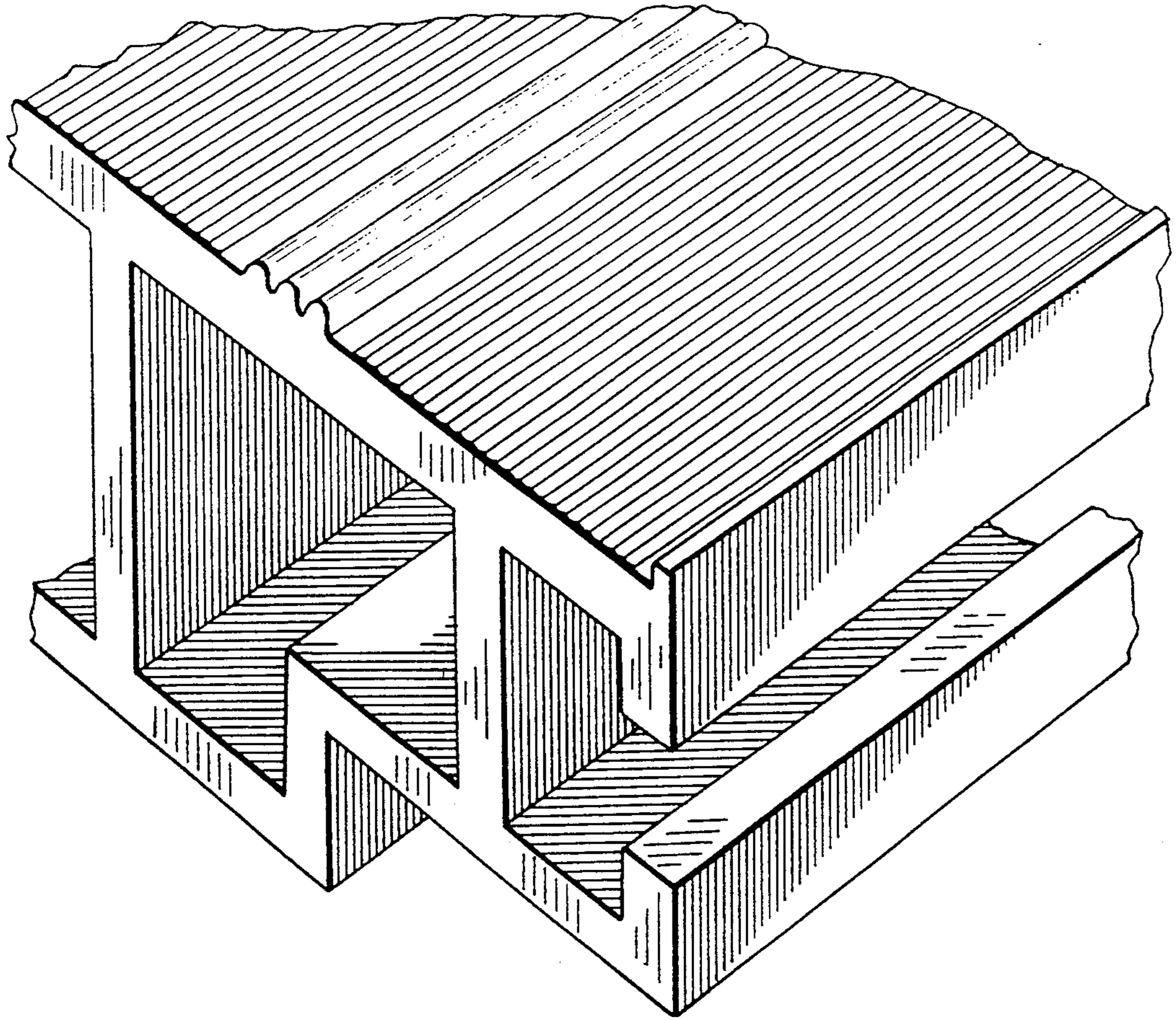


FIG. 8