



US00D329909S

United States Patent [19]
Oyama

[11] **Patent Number: Des. 329,909**

[45] **Date of Patent: ** Sep. 29, 1992**

[54] **REEL SEAT FOR FISHING ROD**

[75] **Inventor: Mitsuyoshi Oyama, Musashino, Japan**

[73] **Assignee: Daiwa Seiko, Inc., Tokyo, Japan**

[**] **Term: 14 Years**

[21] **Appl. No.: 617,537**

[22] **Filed: Nov. 23, 1990**

[30] **Foreign Application Priority Data**

May 31, 1990 [JP] Japan 2-18334

Jun. 1, 1990 [JP] Japan 2-18515

[52] **U.S. Cl. D22/142**

[58] **Field of Search D22/142, 137, 138, 139; 43/18.1, 18.5, 20, 22, 23**

[56] **References Cited**

U.S. PATENT DOCUMENTS

- D. 228,759 10/1973 Ohmura .
- D. 288,113 2/1987 Childre .
- D. 289,193 4/1987 Childre .
- D. 290,154 6/1987 Ohmura .
- D. 290,155 6/1987 Ohmura .
- D. 290,156 6/1987 Ohmura .
- D. 290,158 6/1987 Ohmura .
- D. 314,036 1/1991 Oyama D22/142
- D. 316,738 5/1991 Oyama D22/142
- D. 317,345 6/1991 Oyama D22/142
- D. 323,373 1/1992 Umeda D22/142
- 4,848,022 7/1989 Ozeki et al. D22/142 X

FOREIGN PATENT DOCUMENTS

- 747128-2 10/1988 Japan .
- 749092 11/1988 Japan .
- 749092-1 12/1988 Japan .

Primary Examiner—A. Hugo Word
Assistant Examiner—Doris V. Coles
Attorney, Agent, or Firm—Bacon & Thomas

[57] **CLAIM**

The ornamental design for reel seat for fishing rod, as shown and described.

DESCRIPTION

FIG. 1 is a front elevational view of reel seat for fishing rod showing my new design;
 FIG. 2 is a rear elevational view thereof;
 FIG. 3 is a right side elevational view thereof;
 FIG. 4 is a top plan view thereof;
 FIG. 5 is a bottom plan view thereof;
 FIG. 6 is a left side elevational view thereof;
 FIG. 7 is a cross-sectional view taken along line 7—7 of FIG. 1;
 FIG. 8 is a cross-sectional taken along line 8—8 of FIG. 2;
 FIG. 9 is a cross-sectional taken along line 9—9 of FIG. 2;
 FIG. 10 is a cross-sectional taken along line 10—10 of FIG. 2;
 FIG. 11 is a cross-sectional taken along line 11—11 of FIG. 2;
 FIG. 12 is a front elevational view of a second embodiment;
 FIG. 13 is a rear elevational view thereof;
 FIG. 14 is a right side elevational view thereof;
 FIG. 15 is a top plan view thereof;
 FIG. 16 is a bottom plan view thereof;
 FIG. 17 is a left side elevational view thereof;
 FIG. 18 is a cross-sectional view taken along line 18—18 of FIG. 12;
 FIG. 19 is a cross-sectional taken along line 19—19 of FIG. 13;
 FIG. 20 is a cross-sectional taken along line 20—20 of FIG. 13;
 FIG. 21 is a cross-sectional taken along line 21—21 of FIG. 13; and,
 FIG. 22 is a cross sectional taken along line 22—22 of FIG. 13.

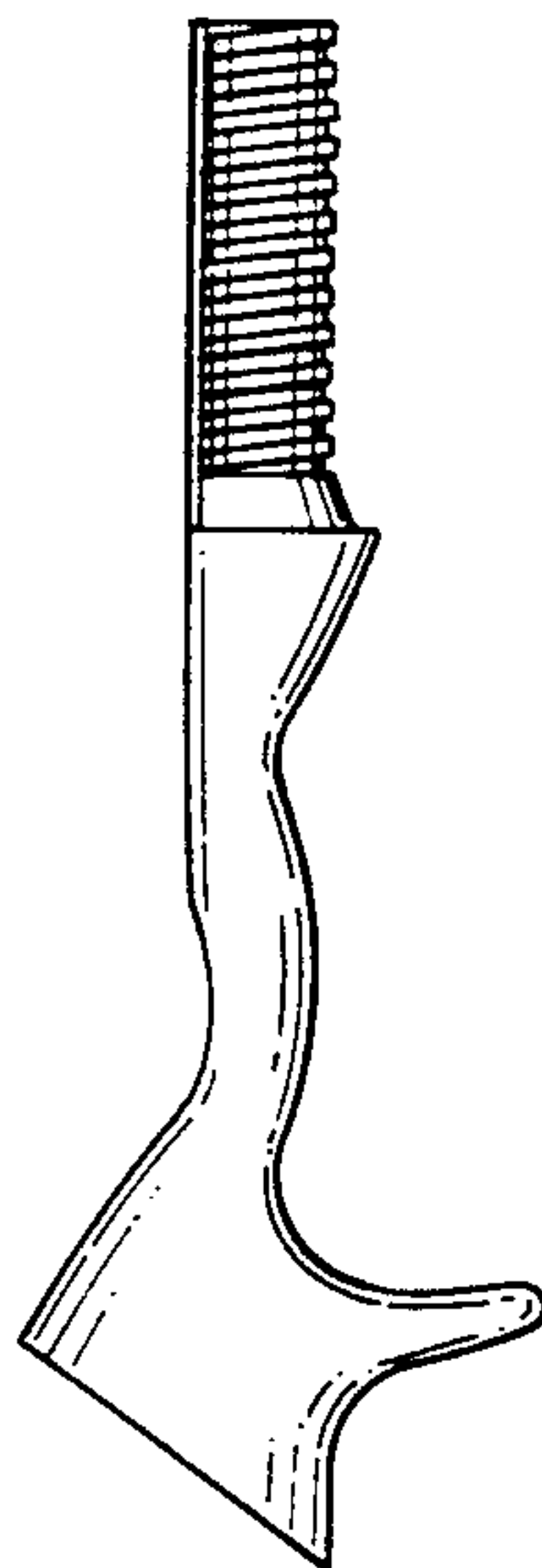


FIG. 1
7

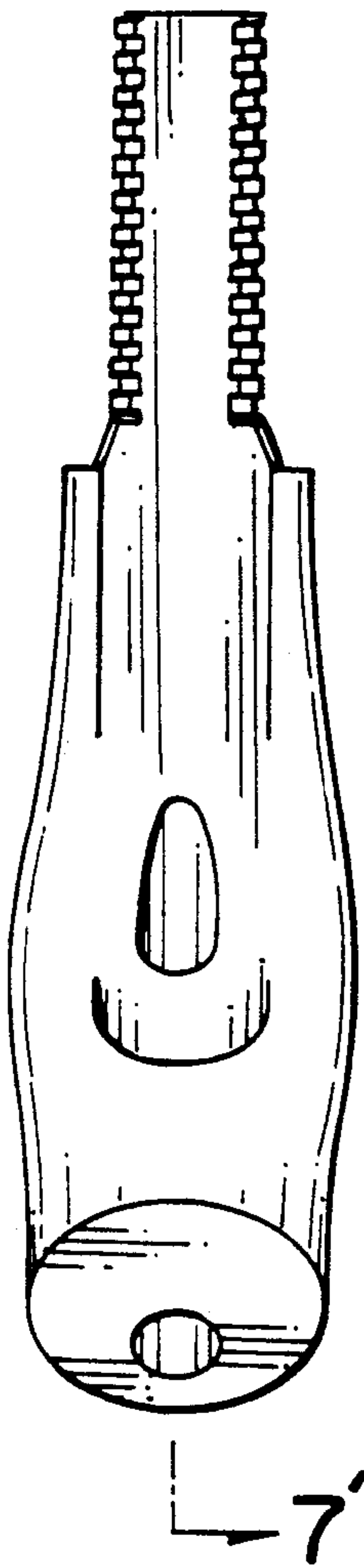


FIG. 2

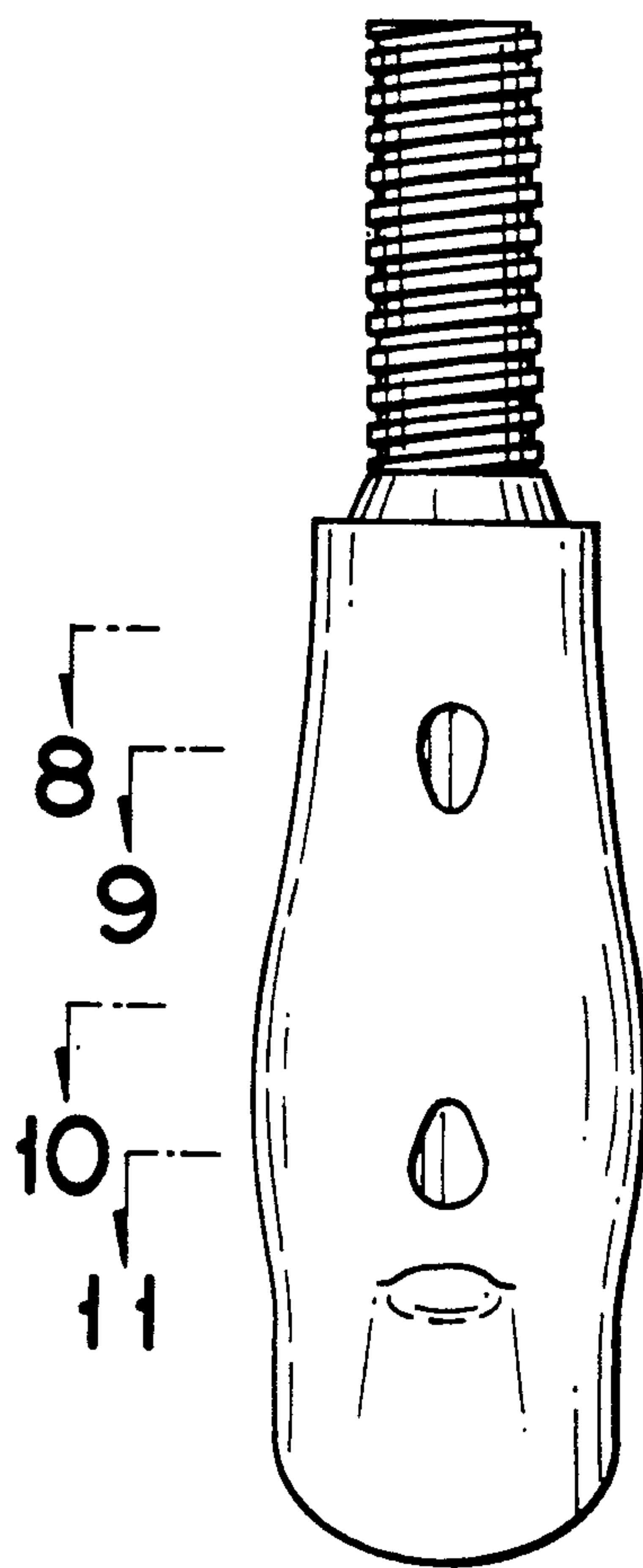


FIG. 3

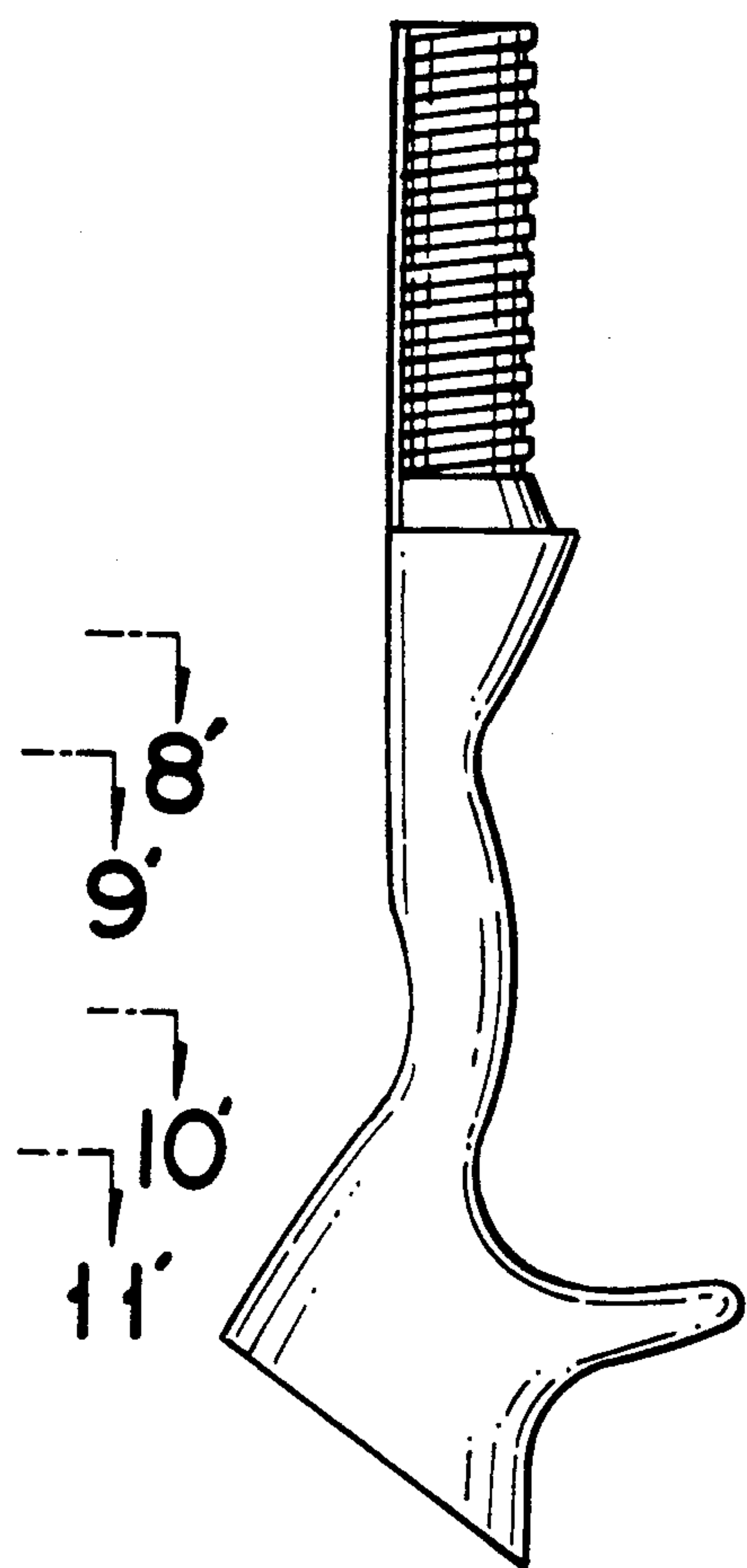


FIG. 4

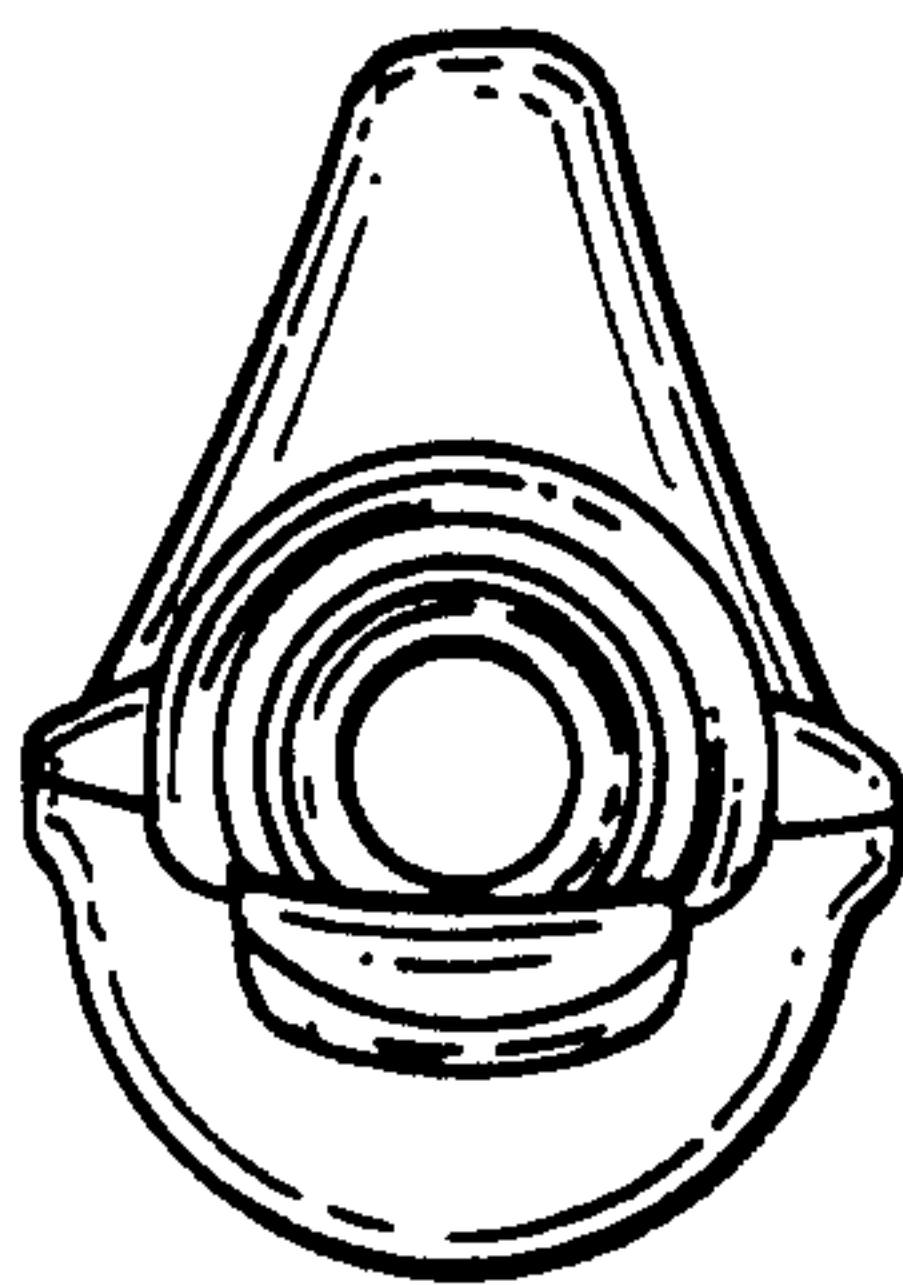


FIG. 5

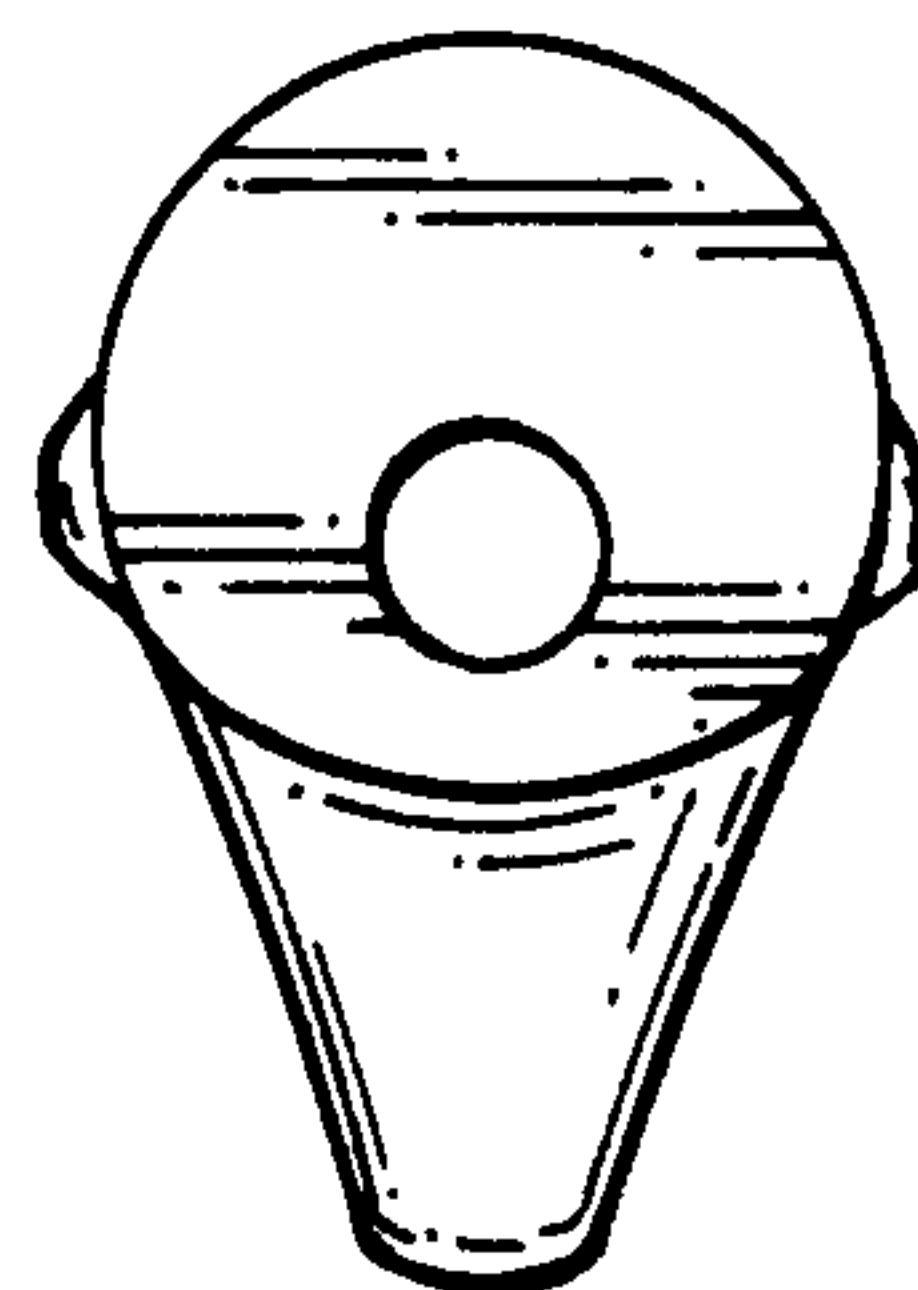


FIG. 6

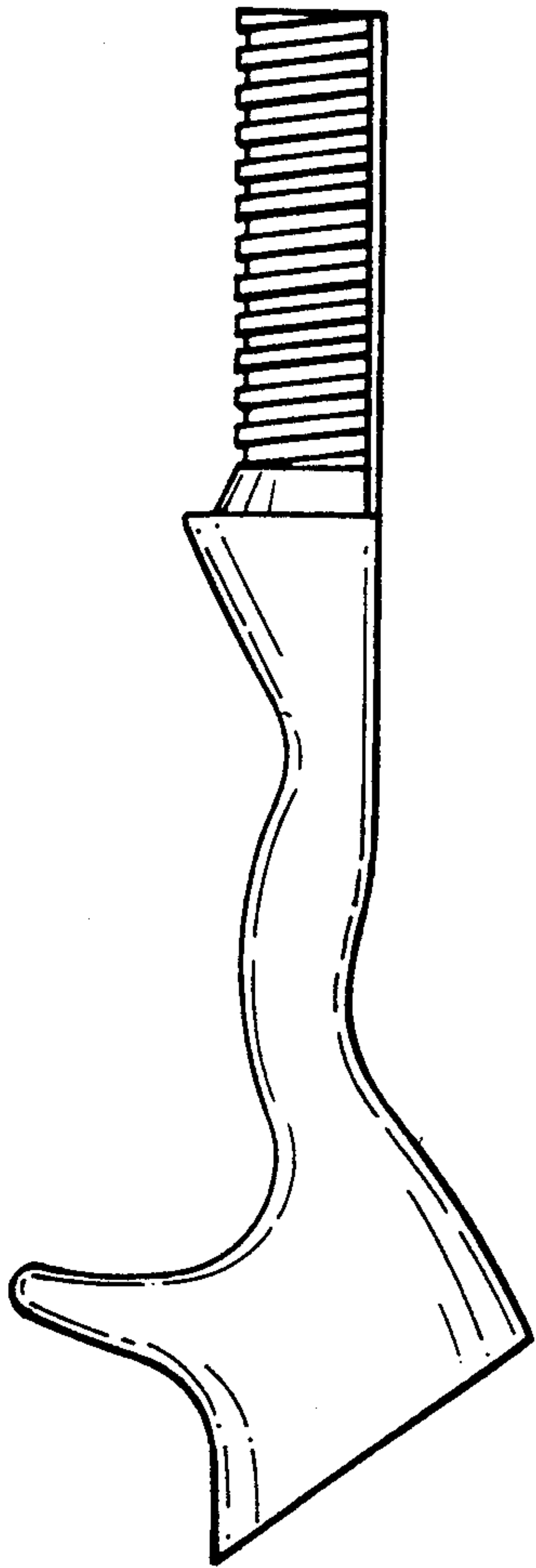


FIG. 7

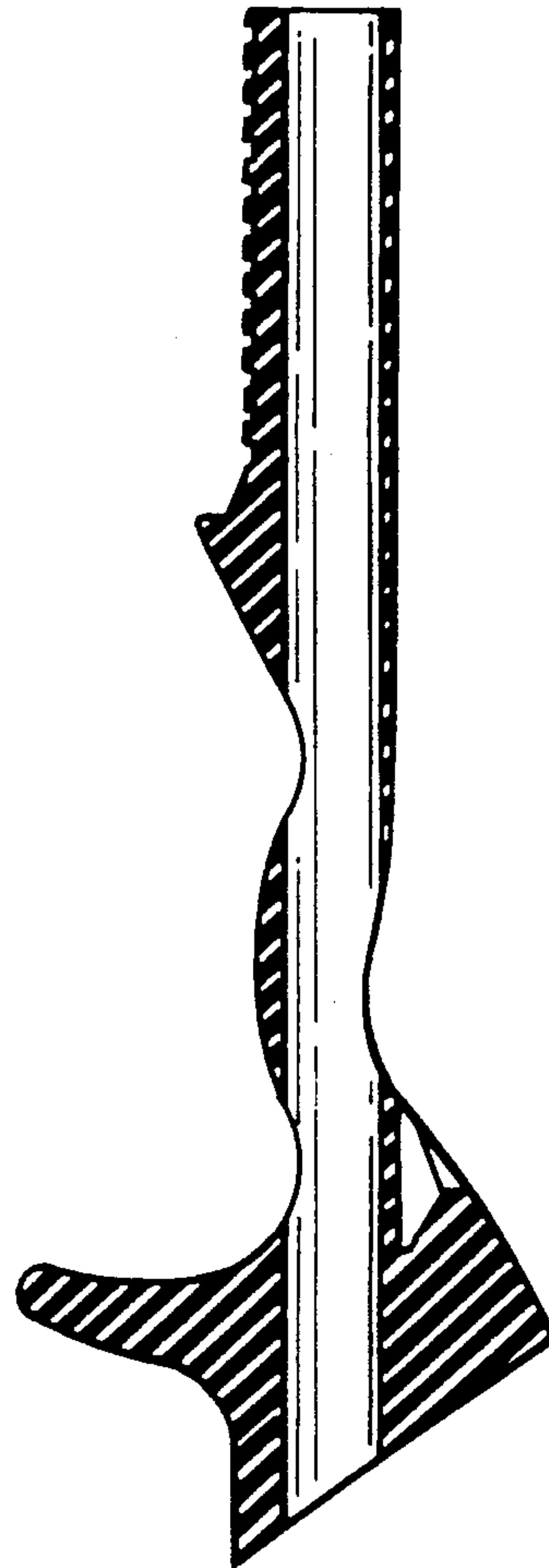


FIG. 10



FIG. 8



FIG. 11



FIG. 9



FIG. 12

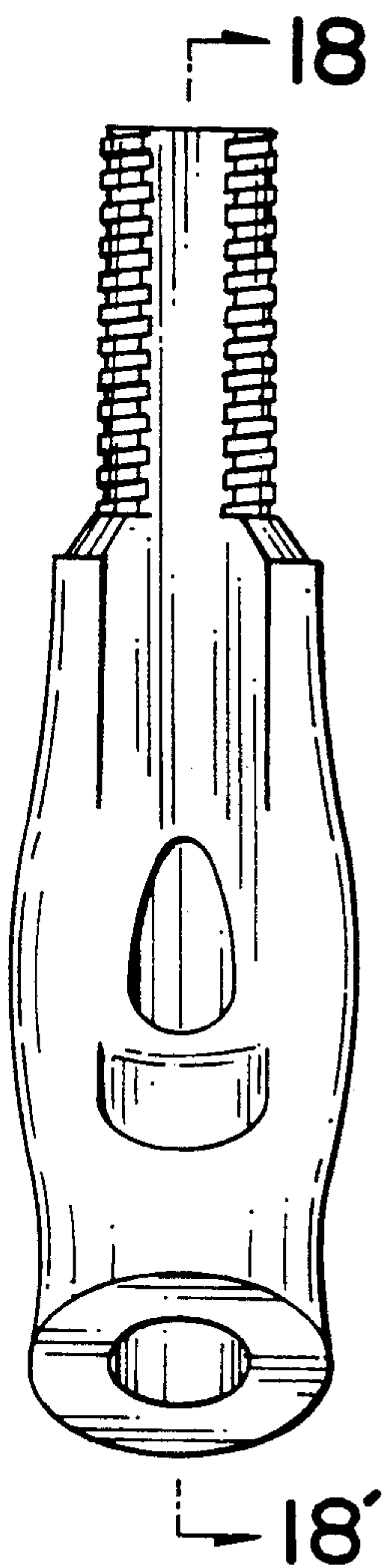


FIG. 13

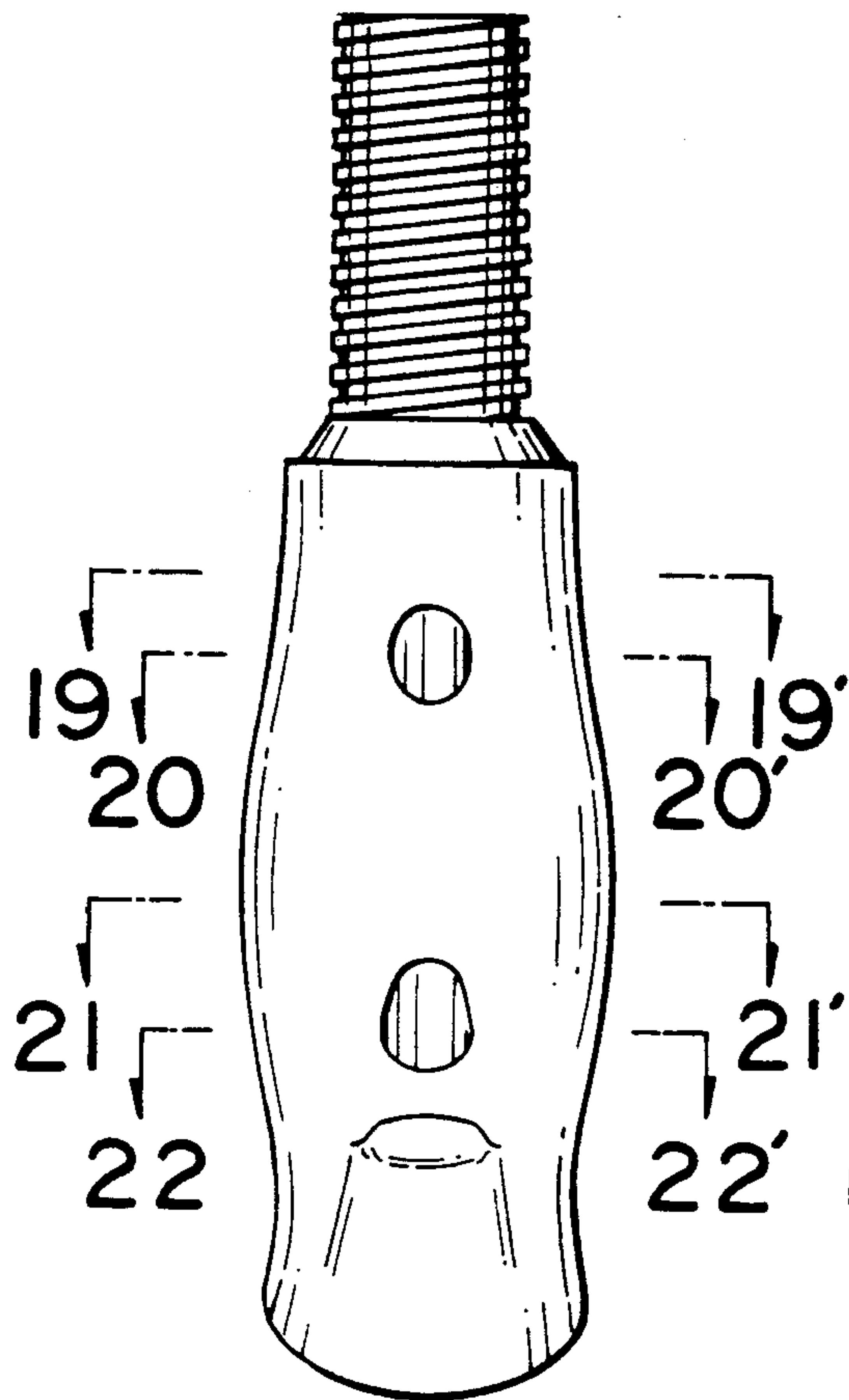


FIG. 14

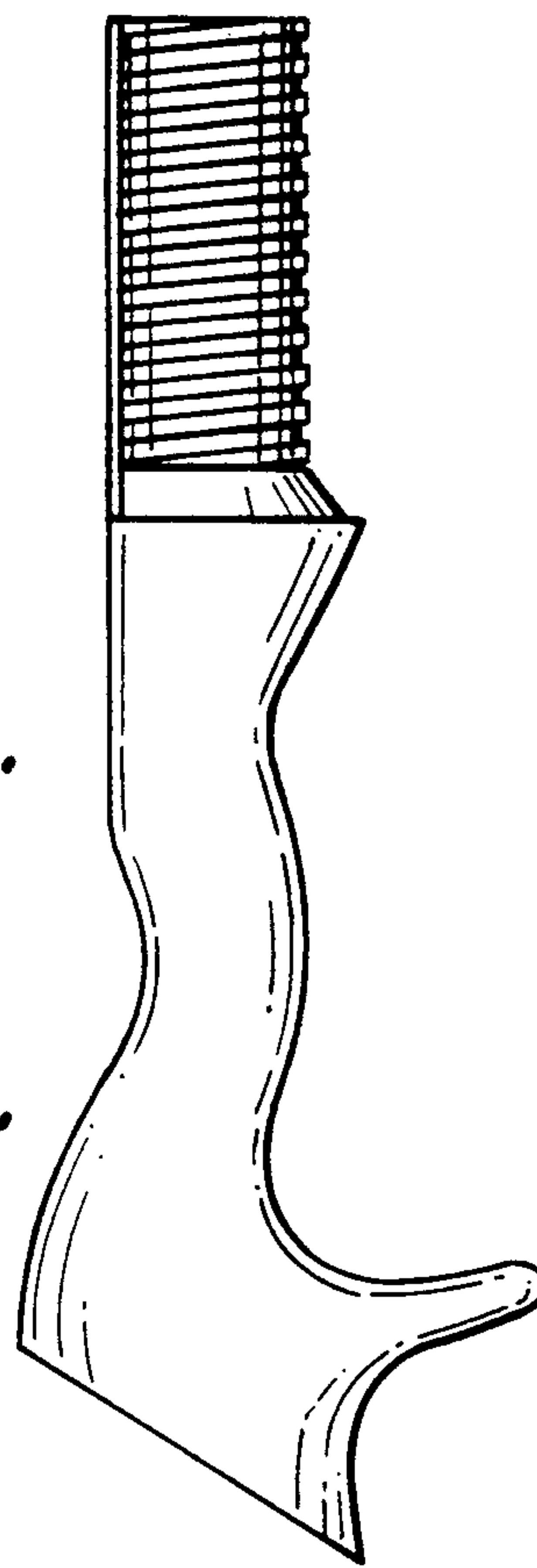


FIG. 15

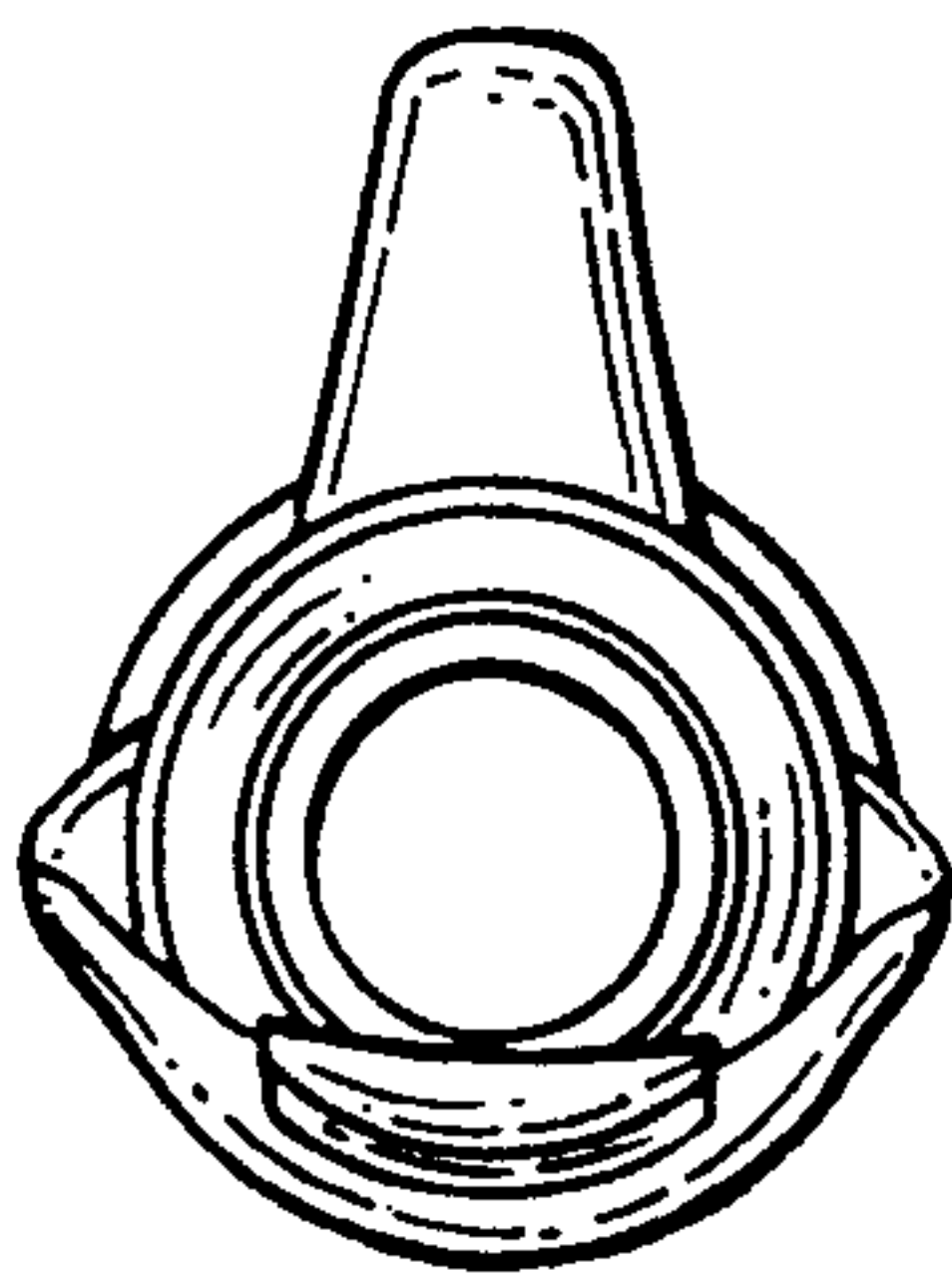


FIG. 16

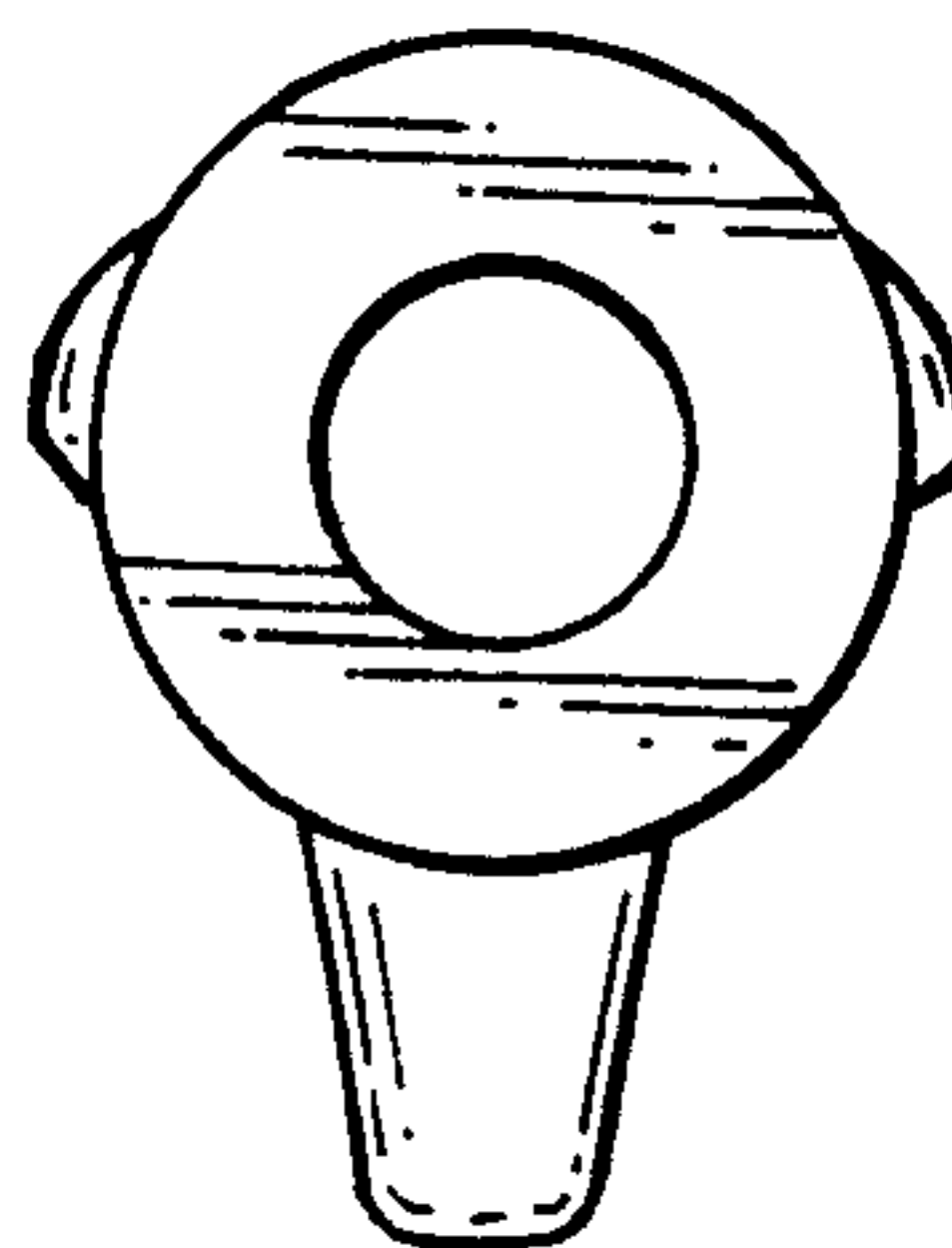


FIG. 17

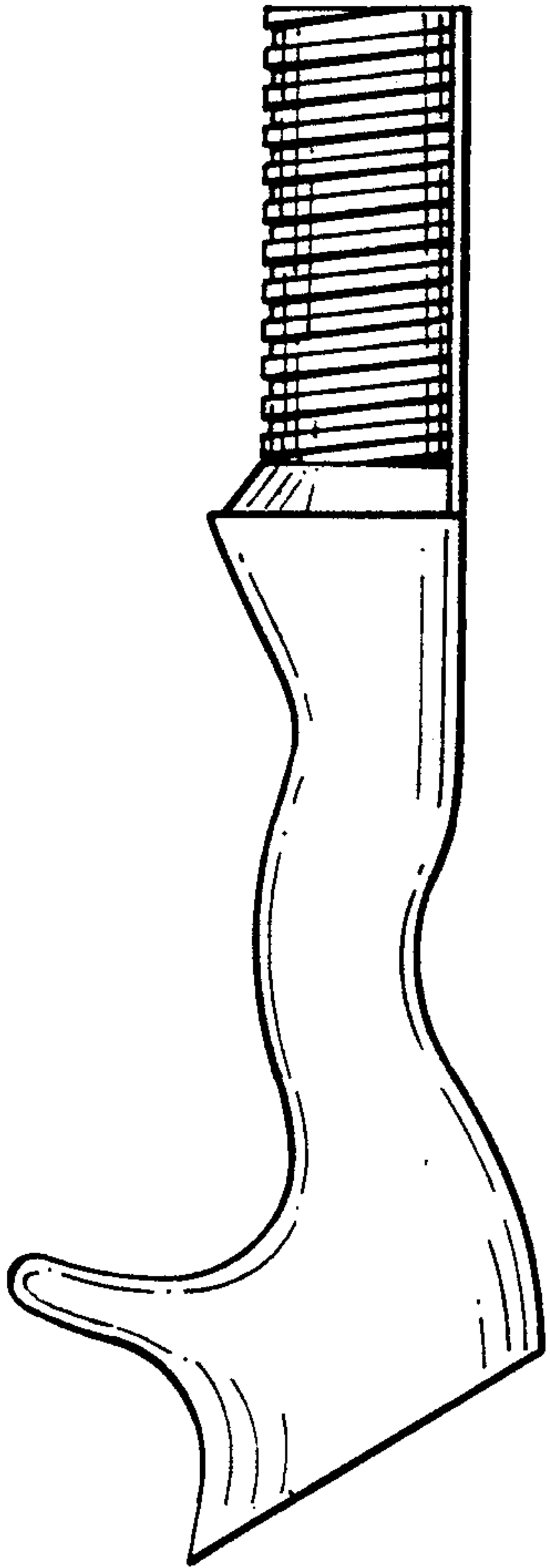


FIG. 18

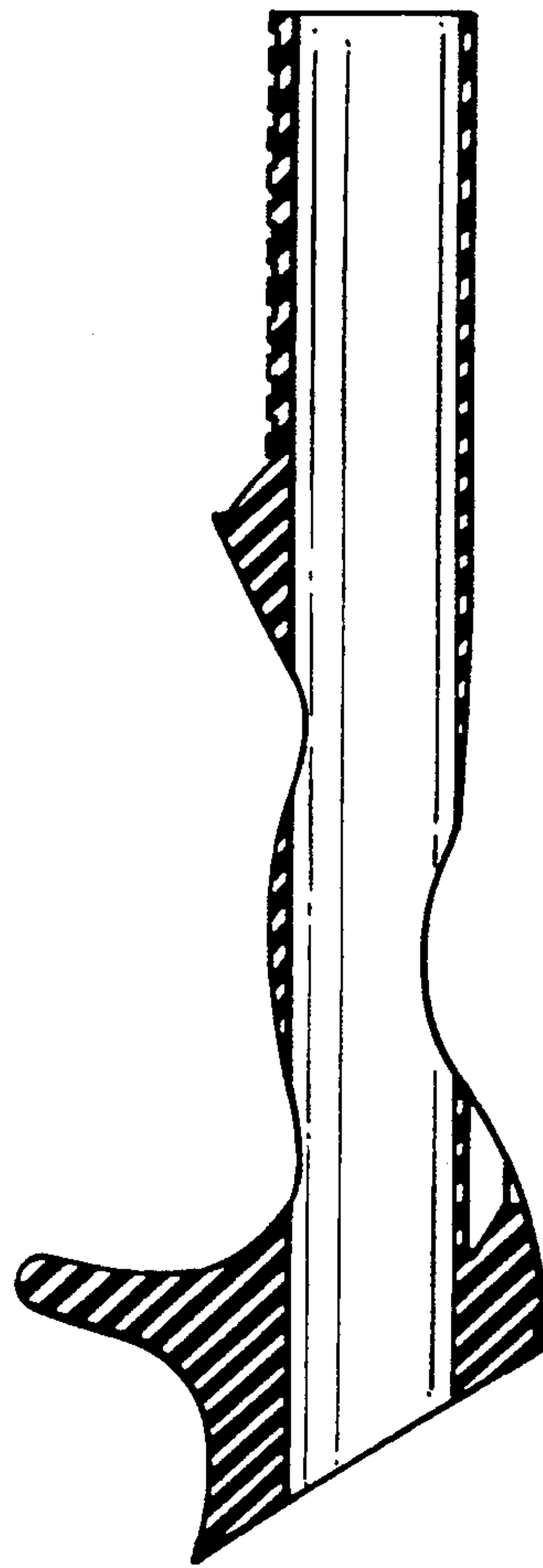


FIG. 21



FIG. 19

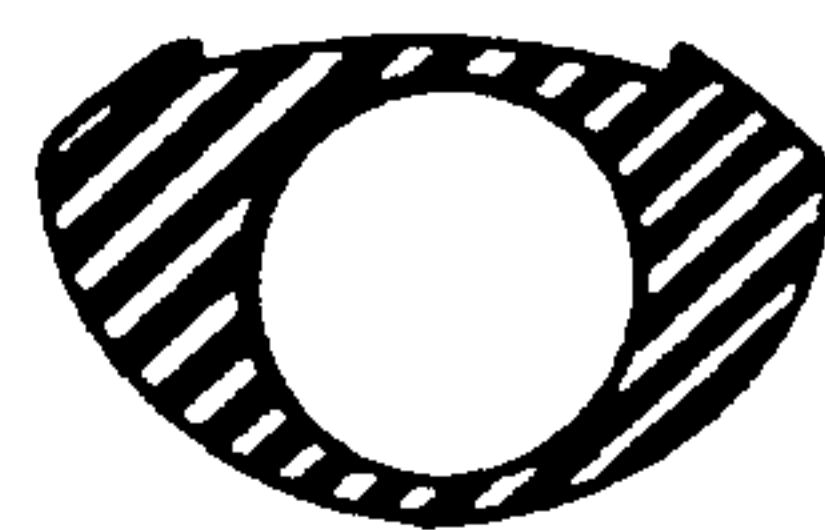


FIG. 22

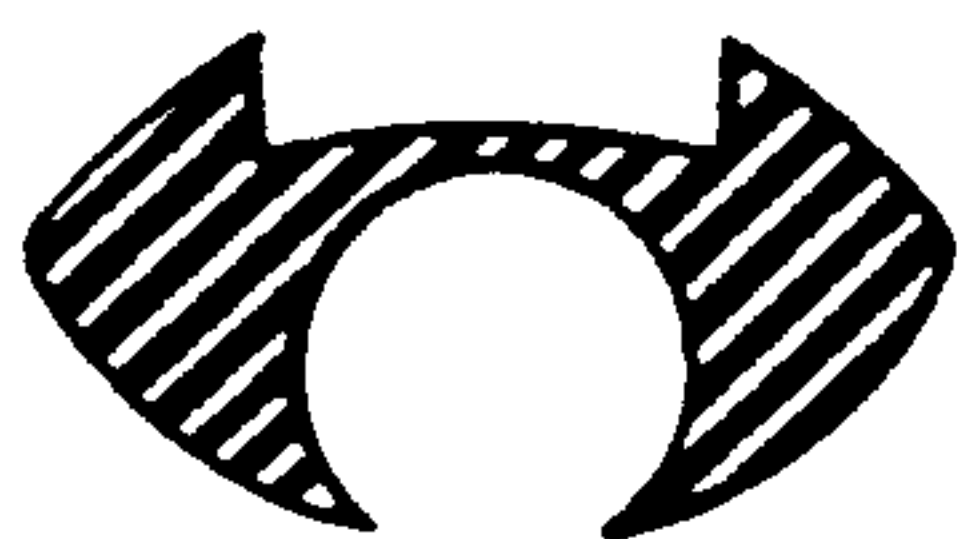


FIG. 20

