



US00D329907S

**United States Patent** [19]  
**Yui**

[11] **Patent Number: Des. 329,907**

[45] **Date of Patent: \*\* Sep. 29, 1992**

[54] **FISHING REEL**

[75] **Inventor: Toru Yui, Sakai, Japan**

[73] **Assignee: Shimano, Inc., Osaka, Japan**

[\*\*] **Term: 14 Years**

[21] **Appl. No.: 461,792**

[22] **Filed: Jan. 8, 1990**

[52] **U.S. Cl. .... D22/141**

[58] **Field of Search ..... D22/141, 140; 242/224,  
242/234-238, 230-233, 230-233, 245-246**

[56] **References Cited**

**U.S. PATENT DOCUMENTS**

- D. 283,721 5/1986 Inuma et al. .... D22/141
- D. 285,823 9/1986 Inuma et al. .... D22/141
- D. 294,621 3/1988 Myojo ..... D22/141
- D. 294,622 3/1988 Myojo ..... D22/141
- D. 300,054 2/1989 Hirashi et al. .... D22/141

- D. 300,237 3/1989 Myoso ..... D22/141
- D. 300,765 4/1989 Inuma et al. .... D22/141

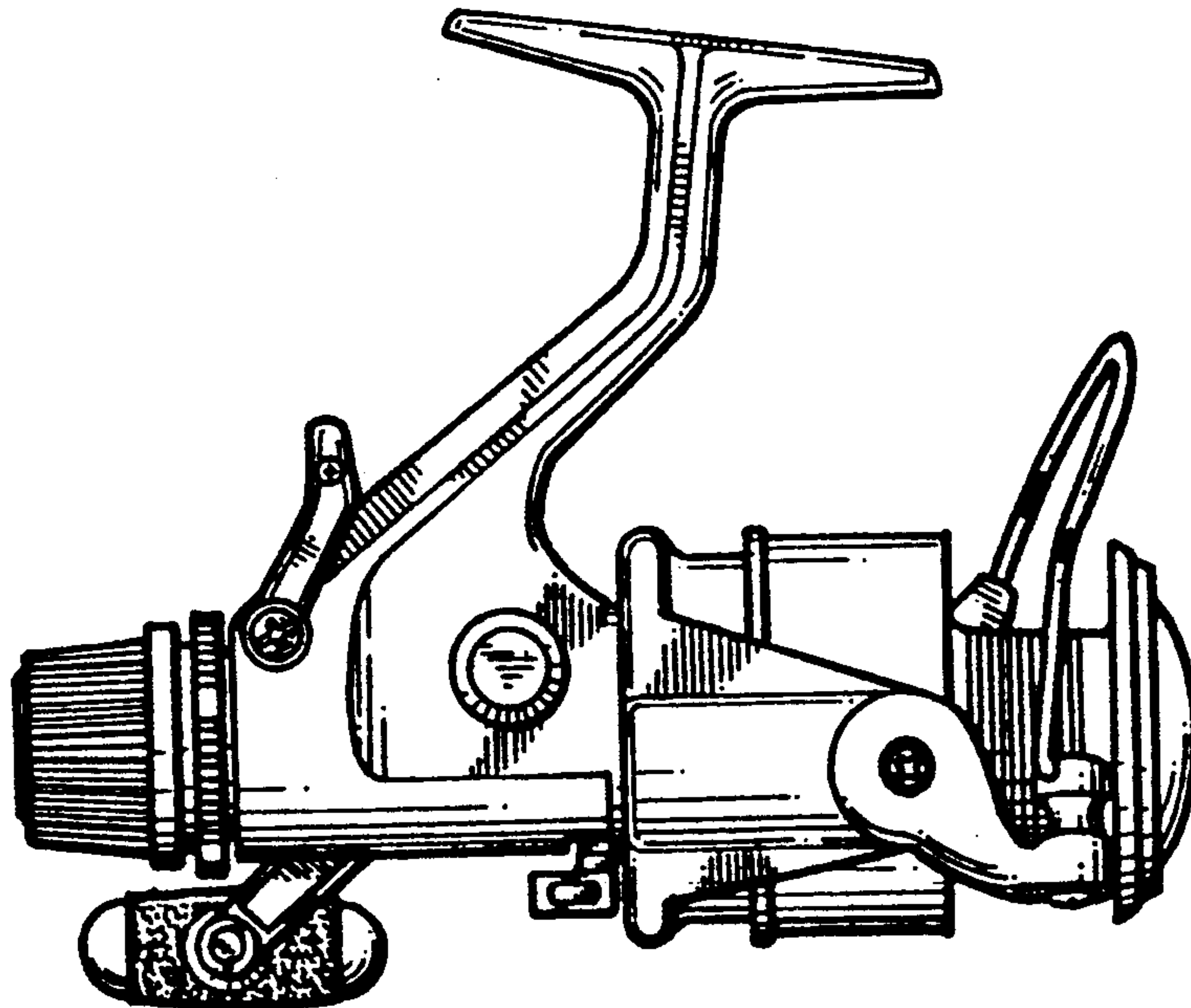
*Primary Examiner*—A. Hugo Word  
*Assistant Examiner*—Doris V. Coles  
*Attorney, Agent, or Firm*—Dickstein, Shapiro & Morin

[57] **CLAIM**

The ornamental design of a fishing reel, as shown and described.

**DESCRIPTION**

FIG. 1 is a left side elevational view of a fishing reel, showing my new design;  
 FIG. 2 is a right side elevational view thereof;  
 FIG. 3 is a perspective view thereof;  
 FIG. 4 is a top plan view thereof;  
 FIG. 5 is a front elevational view thereof;  
 FIG. 6 is a rear elevational view thereof; and,  
 FIG. 7 is a bottom plan view thereof.



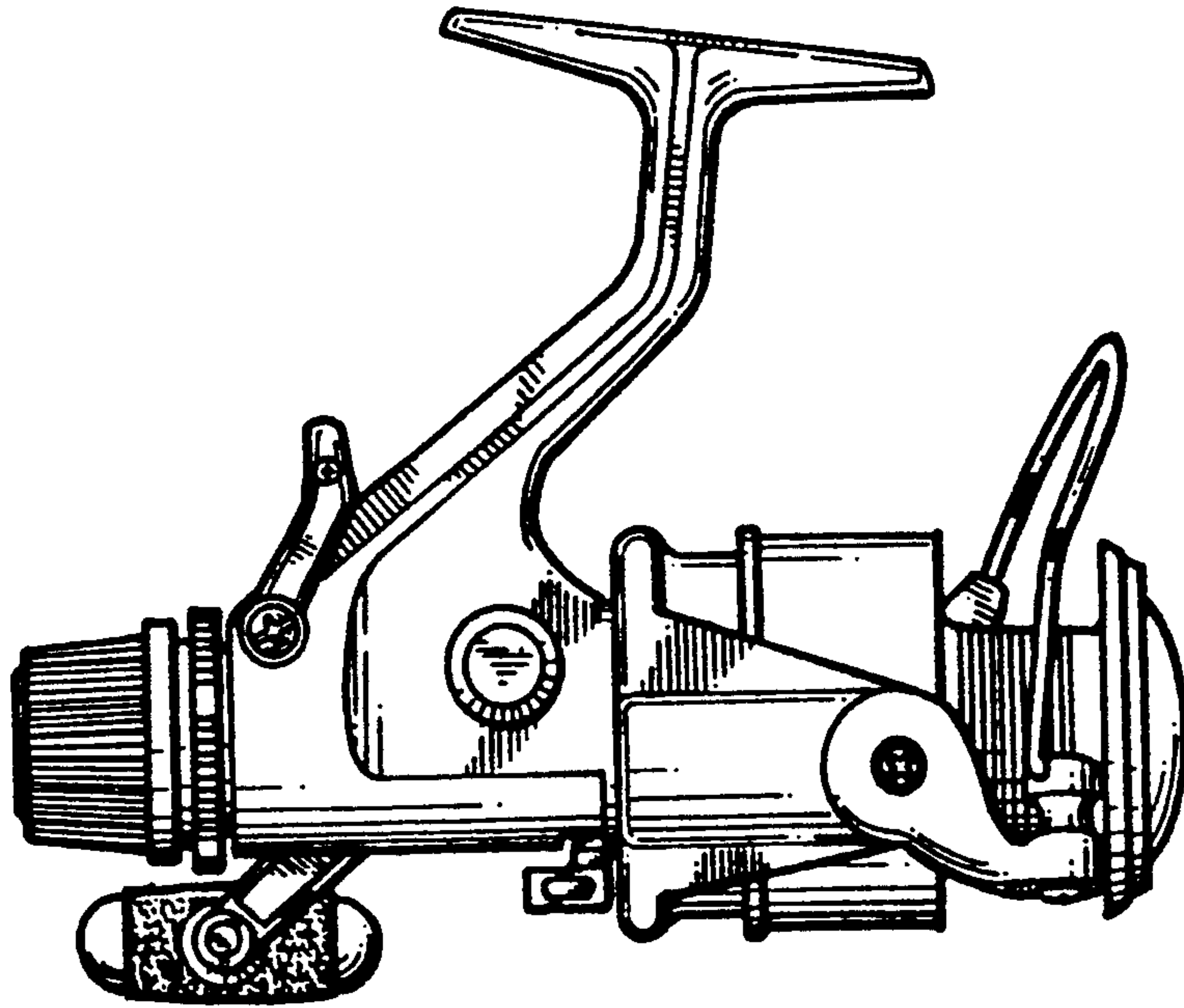


FIG. 1

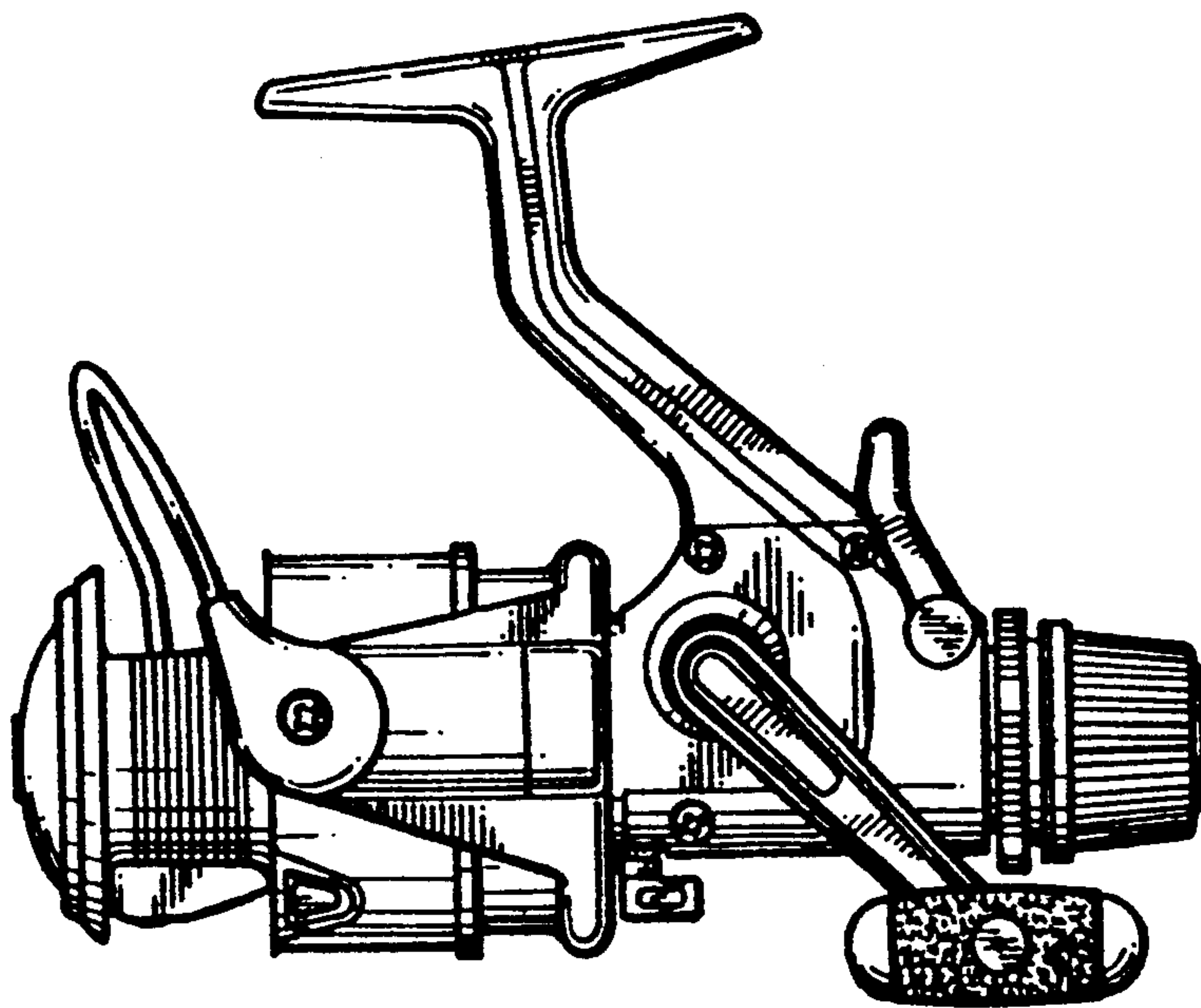


FIG. 2

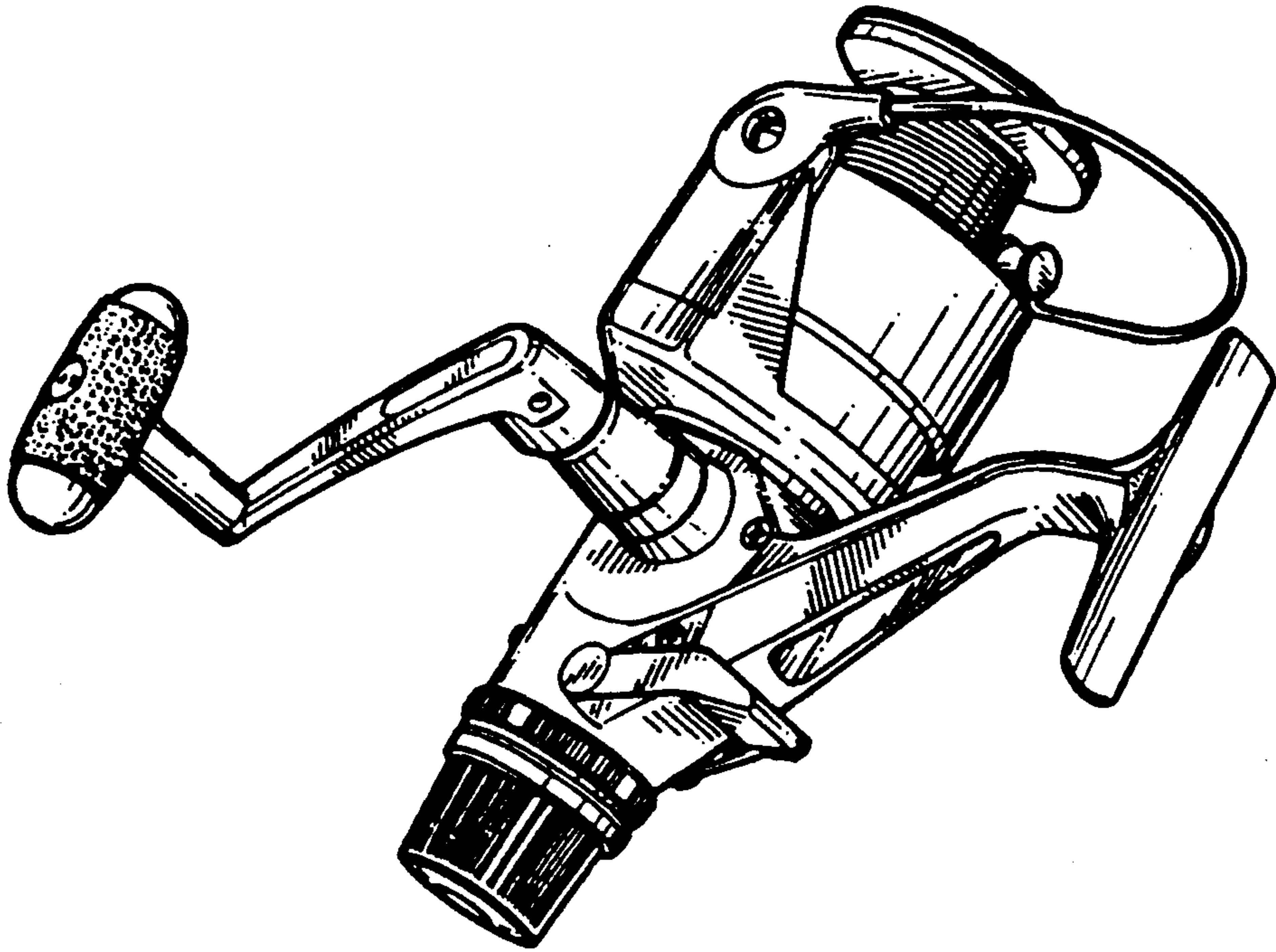


FIG. 3

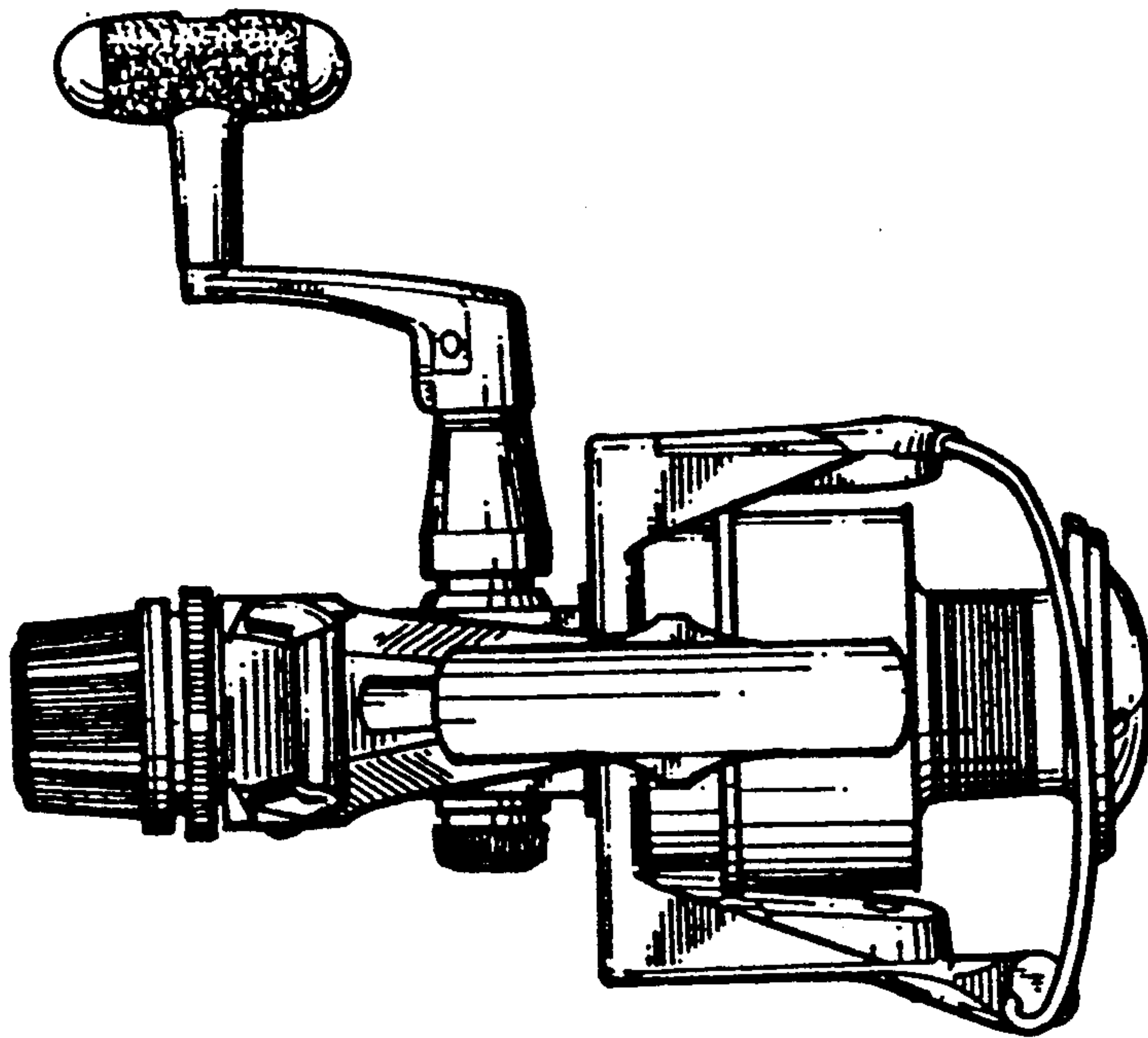


FIG. 4

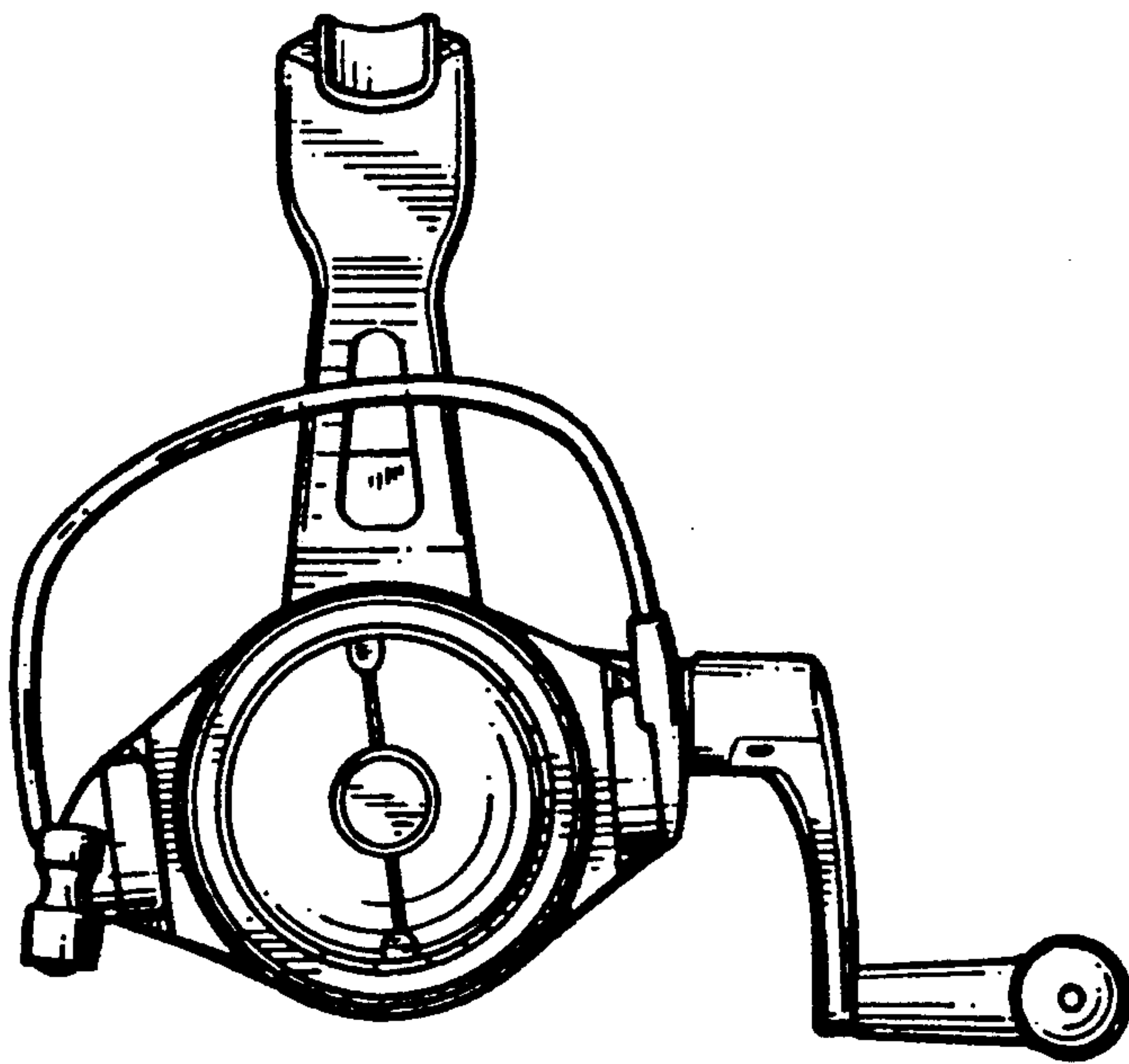


FIG. 5

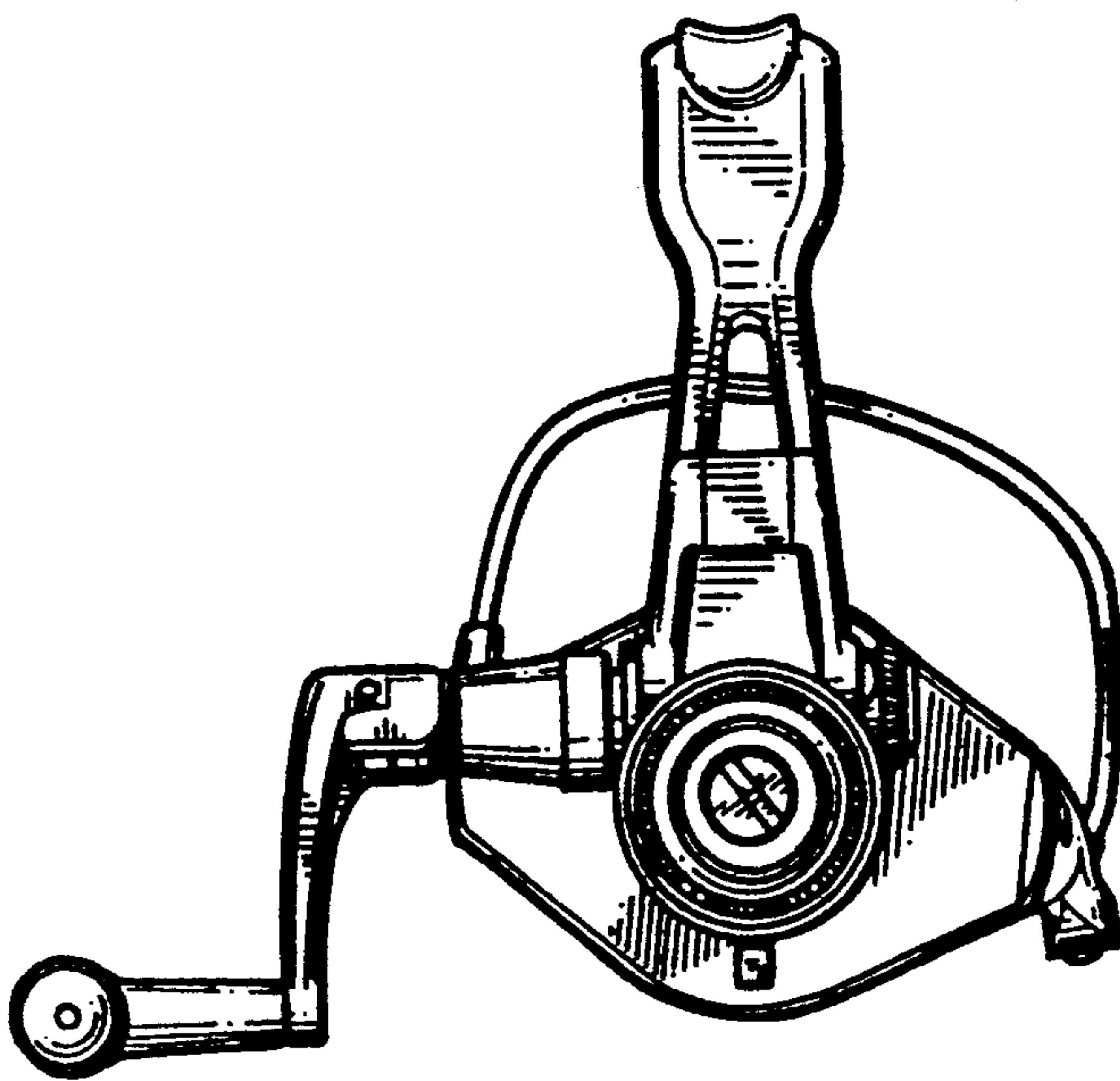


FIG. 6



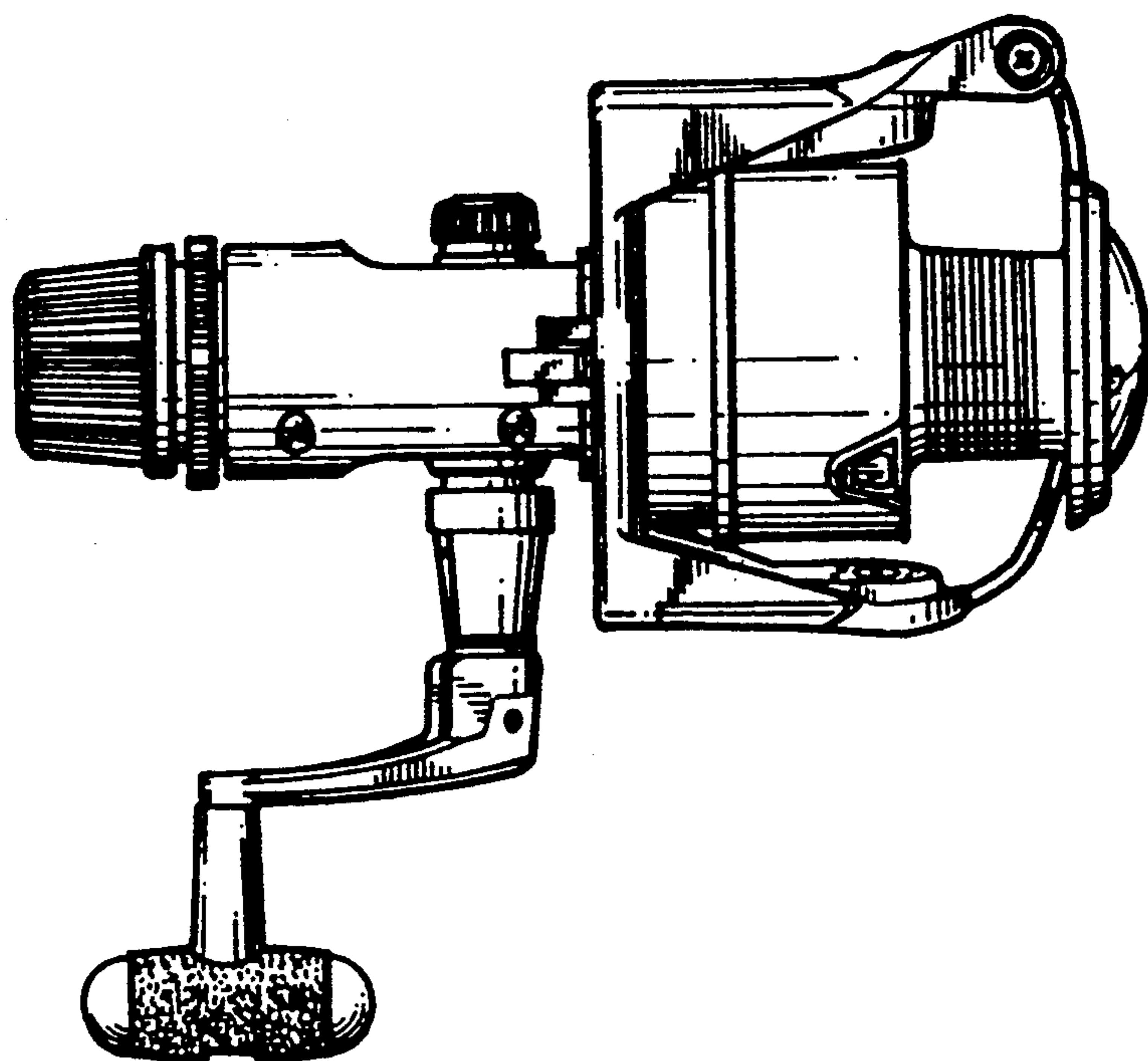


FIG. 7