



US00D329906S

United States Patent [19]

[11] Patent Number: **Des. 329,906**

Reed et al.

[45] Date of Patent: **** Sep. 29, 1992**

[54] GOLF PUTTER HEAD

[75] Inventors: **Timothy R. Reed**, Buffalo Grove;
James E. Karner, Grayslake, both of Ill.

[73] Assignee: **Tommy Armour Golf Company**,
Morton Grove, Ill.

[**] Term: **14 Years**

[21] Appl. No.: **470,046**

[22] Filed: **Jan. 24, 1990**

[52] U.S. Cl. **D21/219**

[58] Field of Search **D21/214-220;**
273/164, 167-175

[56] References Cited

U.S. PATENT DOCUMENTS

D. 252,649	8/1979	Bernhardt	D21/217
D. 257,782	1/1981	Bernhardt	D21/217
D. 257,783	1/1981	Bernhardt	D21/217
D. 259,134	5/1981	Bernhardt	D21/217
D. 275,214	8/1984	Bernhardt	D21/219
D. 275,215	8/1984	Bernhardt	D21/219
D. 275,216	8/1984	Bernhardt	D21/219
D. 275,217	8/1984	Bernhardt	D21/219
D. 275,591	9/1984	Bernhardt	D21/219
D. 275,592	9/1984	Bernhardt	D21/219
D. 275,981	10/1984	Duclos	D21/219
D. 306,334	2/1990	Alcala	D21/219
2,820,638	1/1958	Morrison	273/164
4,163,554	8/1979	Bernhardt	273/80
4,265,451	5/1981	Bernhardt	273/167
4,325,553	4/1982	Taylor	273/167
4,390,184	6/1983	Rudell	273/183
4,426,083	1/1984	Dishner, Jr.	273/164
4,508,350	4/1985	Duclos	273/183
4,679,792	7/1987	Straza et al.	273/78
4,693,478	9/1987	Long	273/164
4,824,115	4/1989	Walther	273/169
4,828,266	5/1989	Tunstall	273/171
4,832,344	5/1989	Werner	273/163
4,852,879	8/1989	Collins	273/164
4,898,387	2/1990	Finney	273/167
4,913,438	4/1990	Anderson	273/164

OTHER PUBLICATIONS

Golf Magazine, Mar., 1985, p. 81, Putters.
Golf World, Jul. 22, 1988, p. 34, TPM 19 and TPM Gold III Putters.

Primary Examiner—Melvin B. Feifer
Attorney, Agent, or Firm—Tilton, Fallon, Lungmus

[57] CLAIM

The ornamental design for a golf putter head, as shown and described.

DESCRIPTION

FIG. 1 is a reduced rear perspective view of a golf putter head embodying our new design, with a golf club shaft and grip shown in broken lines for illustrative purposes only;

FIG. 2 is a rear elevation view of the golf putter head shown in FIG. 1;

FIG. 3 is a front elevation view of the golf putter head shown in FIG. 1;

FIG. 4 is a toe-end elevation view of the golf putter head shown in FIG. 1;

FIG. 5 is a top plan view of the golf putter head shown in FIG. 1;

FIG. 6 is a heel-end elevation view of the golf putter head shown in FIG. 1;

FIG. 7 is a rear perspective view of the golf putter head shown in FIG. 1, as viewed from the toe end thereof;

FIG. 8 is a top plan sectional view of the golf putter head shown in FIG. 3 viewed along lines 8—8 thereof, with the hosel portion removed for better viewing;

FIG. 9 is a bottom plan view of the golf putter head of FIG. 1;

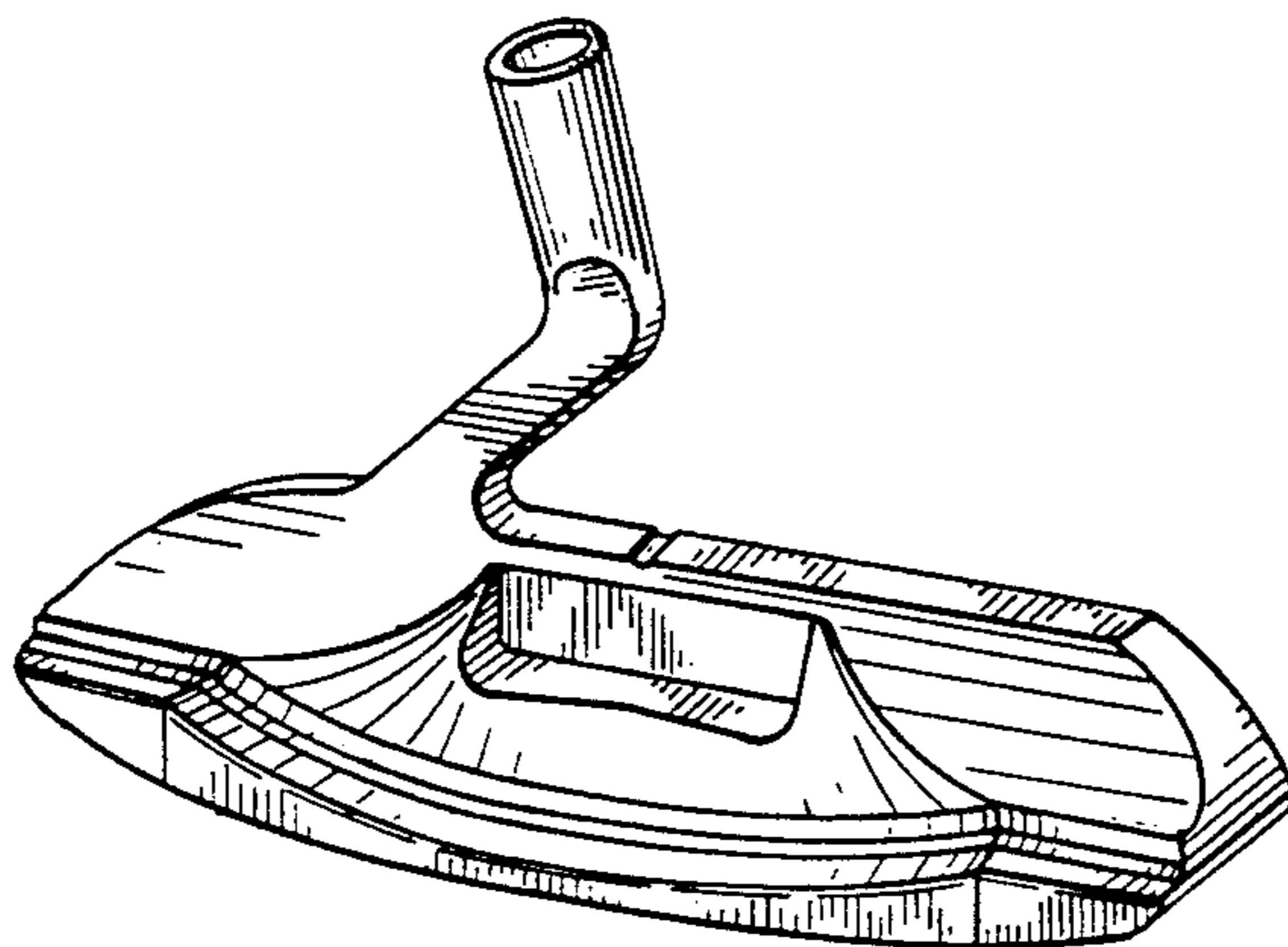
FIG. 10 is a rear perspective view of another embodiment of our new design of golf putter head, as viewed from the toe end thereof;

FIG. 11 is a rear elevation view of the embodiment of FIG. 10;

FIG. 12 is a toe-end elevation view of the embodiment of FIG. 10;

FIG. 13 is a heel-end elevation view of the embodiment of FIG. 10; and,

FIG. 14 is a bottom plan view of the embodiment of FIG. 10.



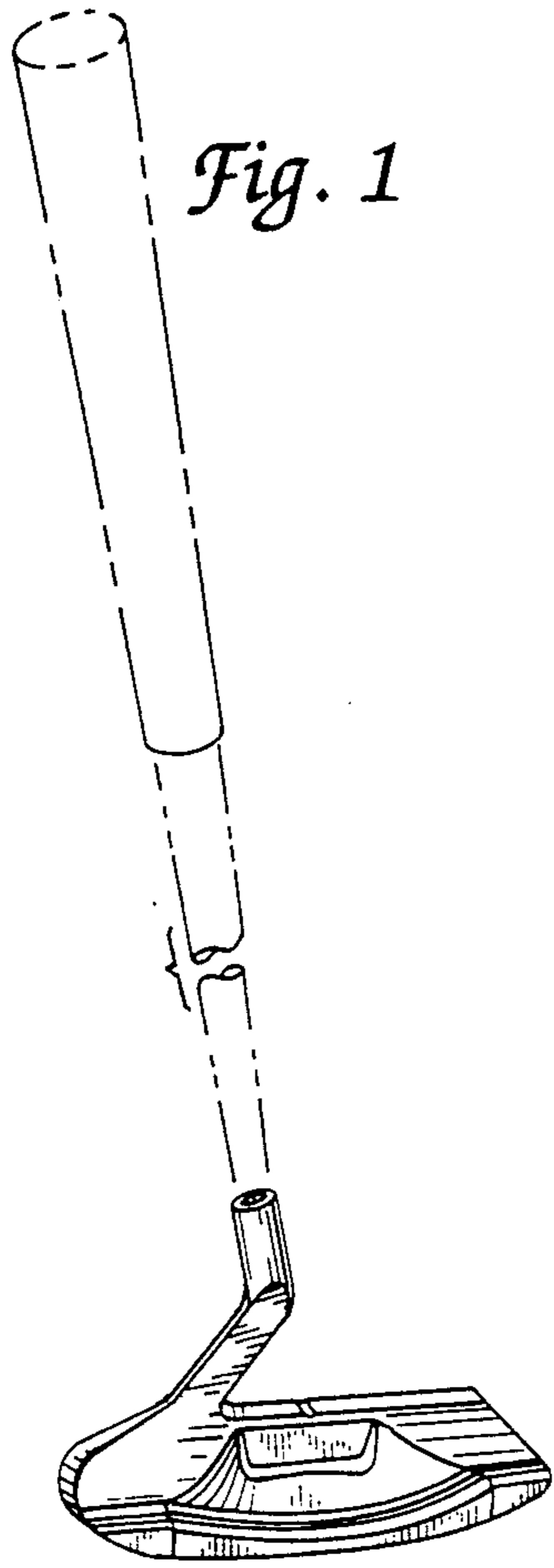


Fig. 1

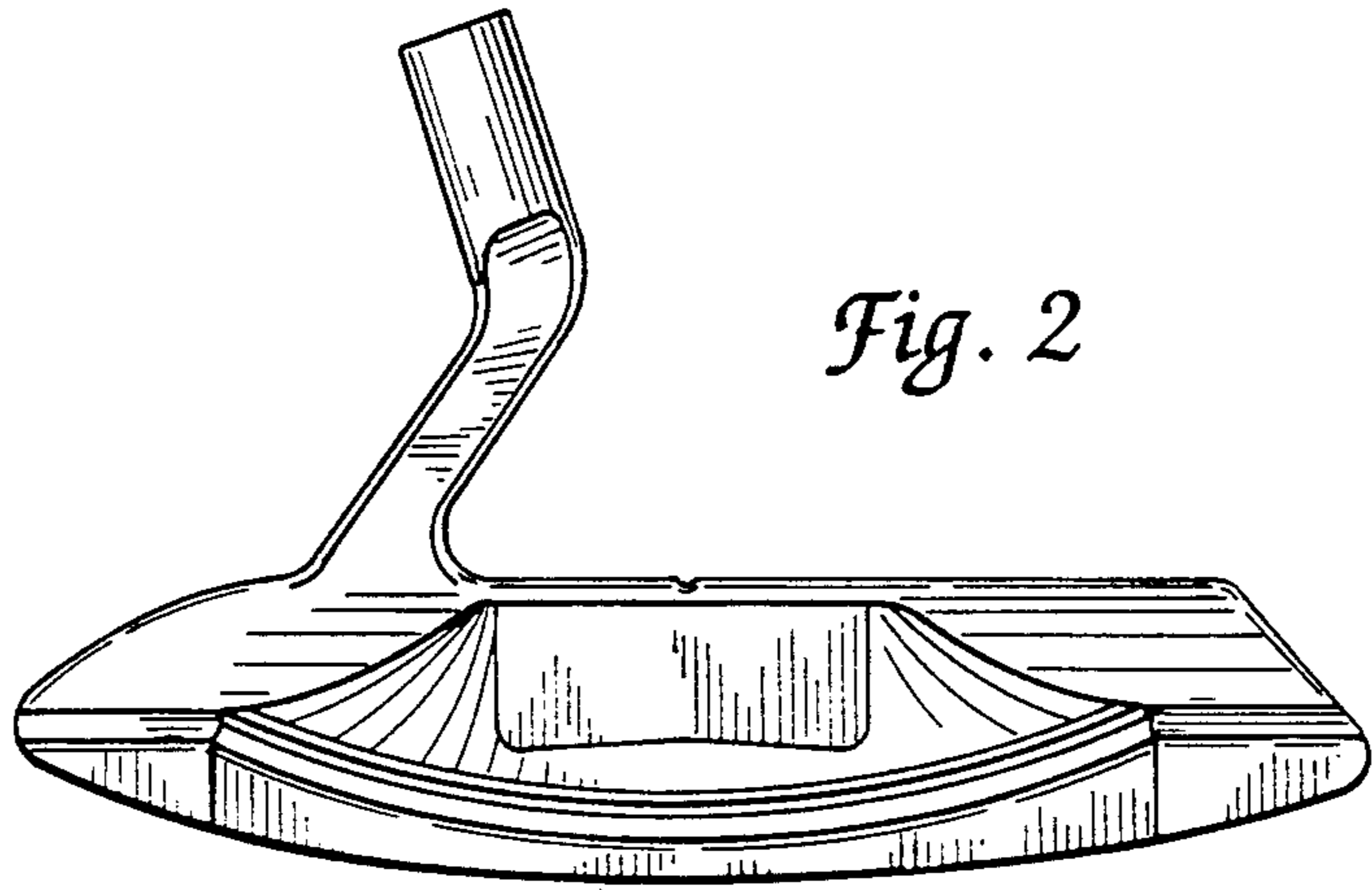


Fig. 2

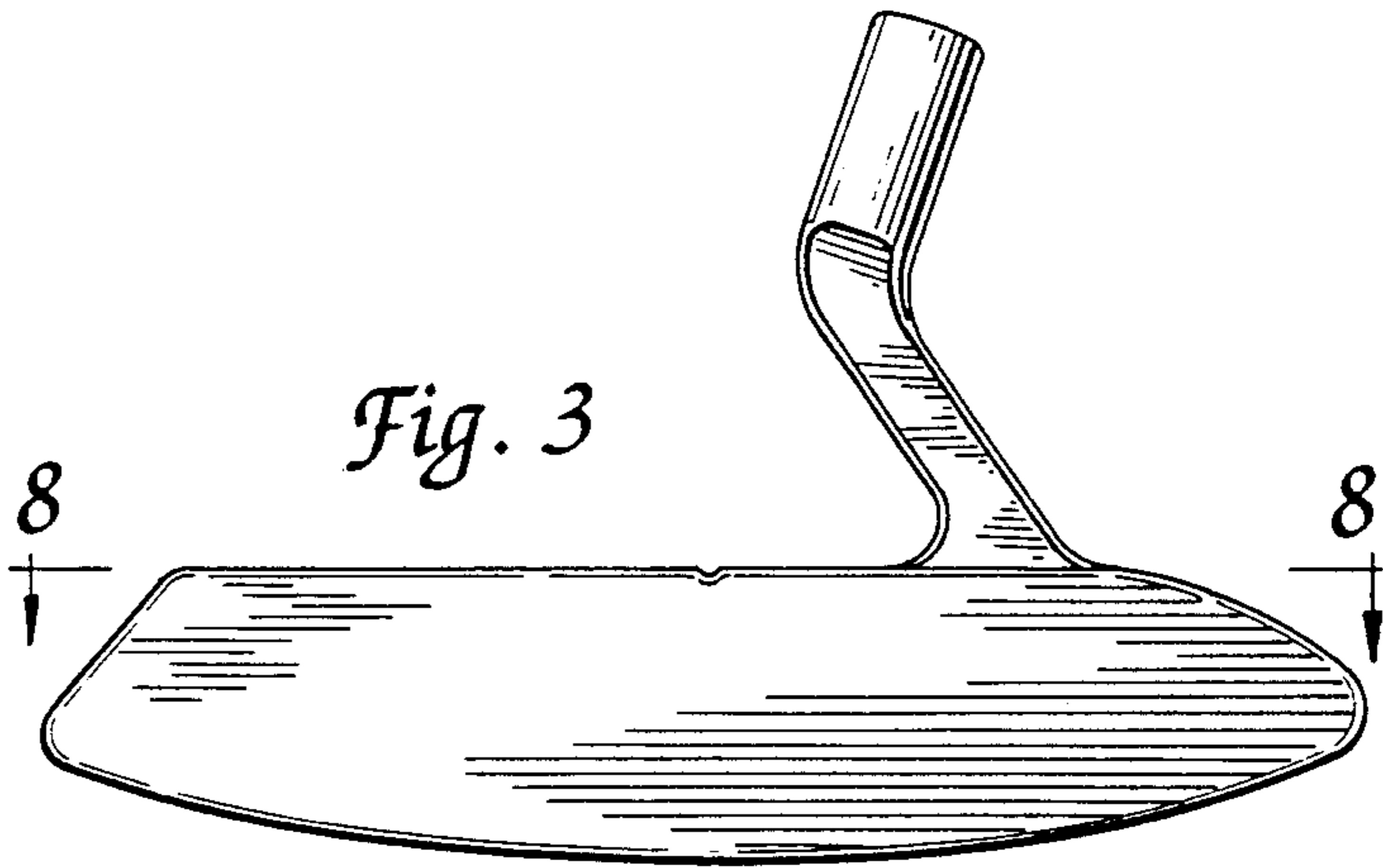


Fig. 3

Fig. 4

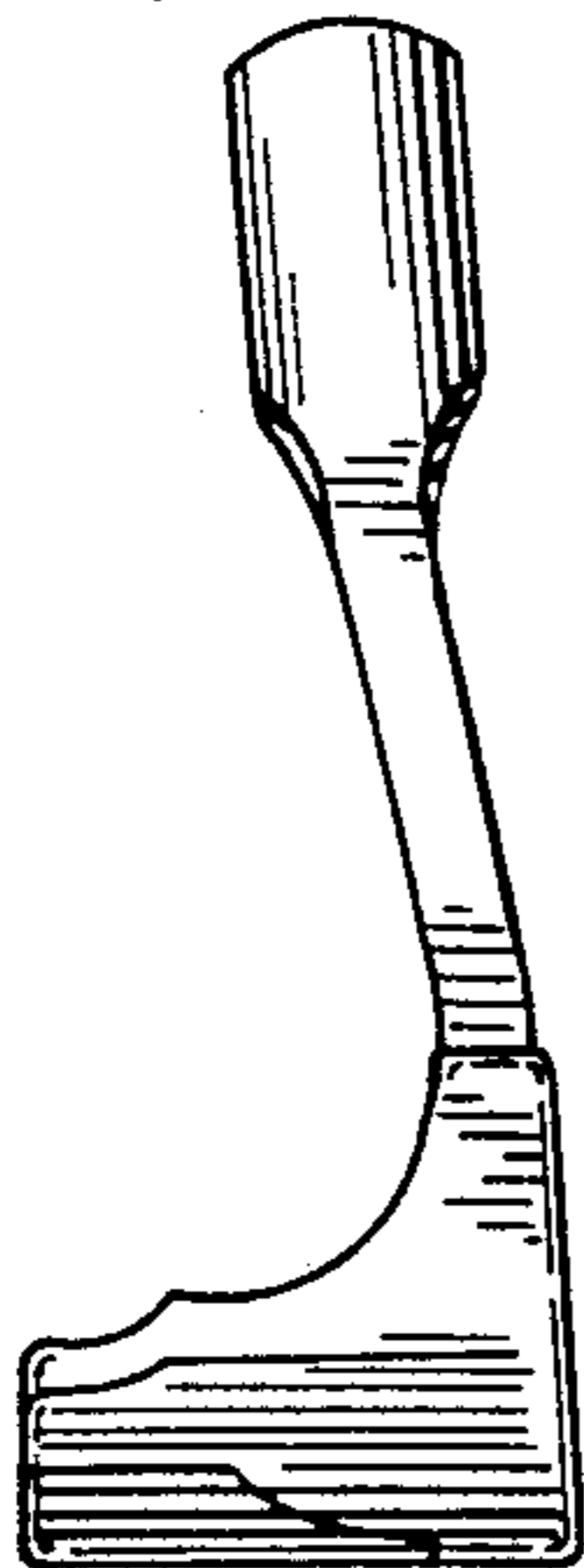


Fig. 5

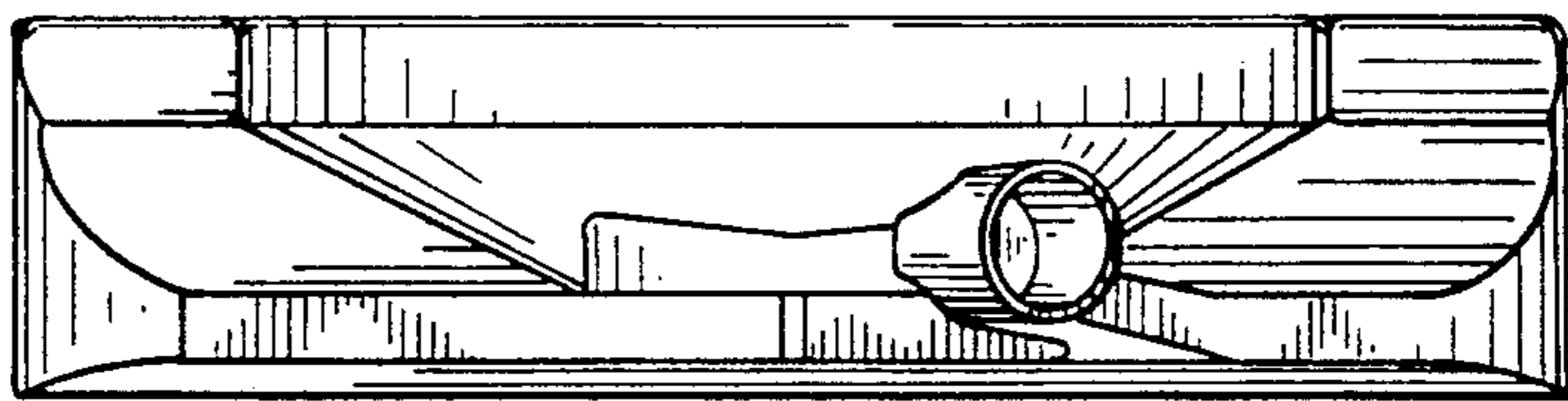


Fig. 6

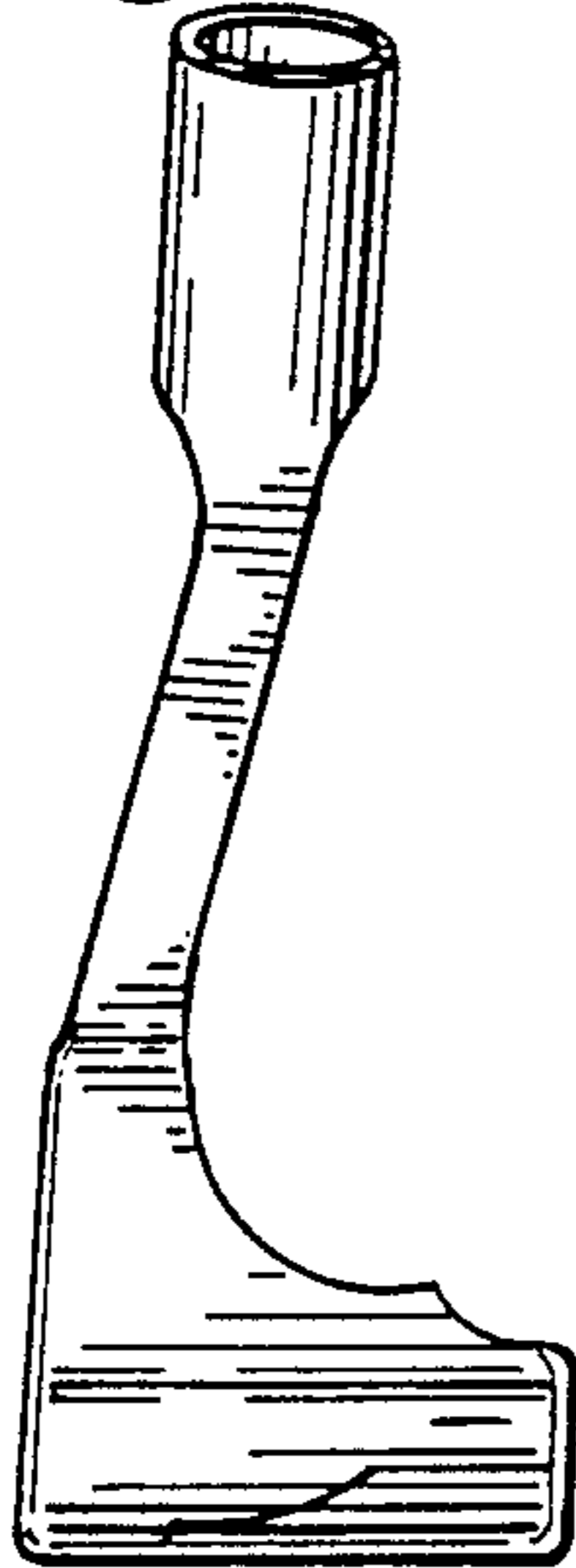


Fig. 7

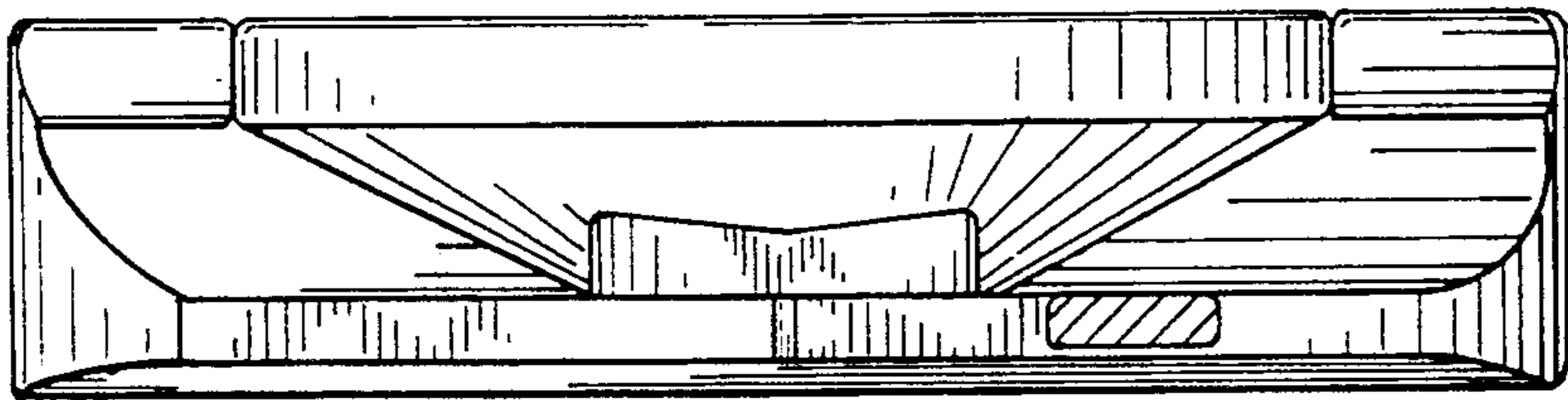
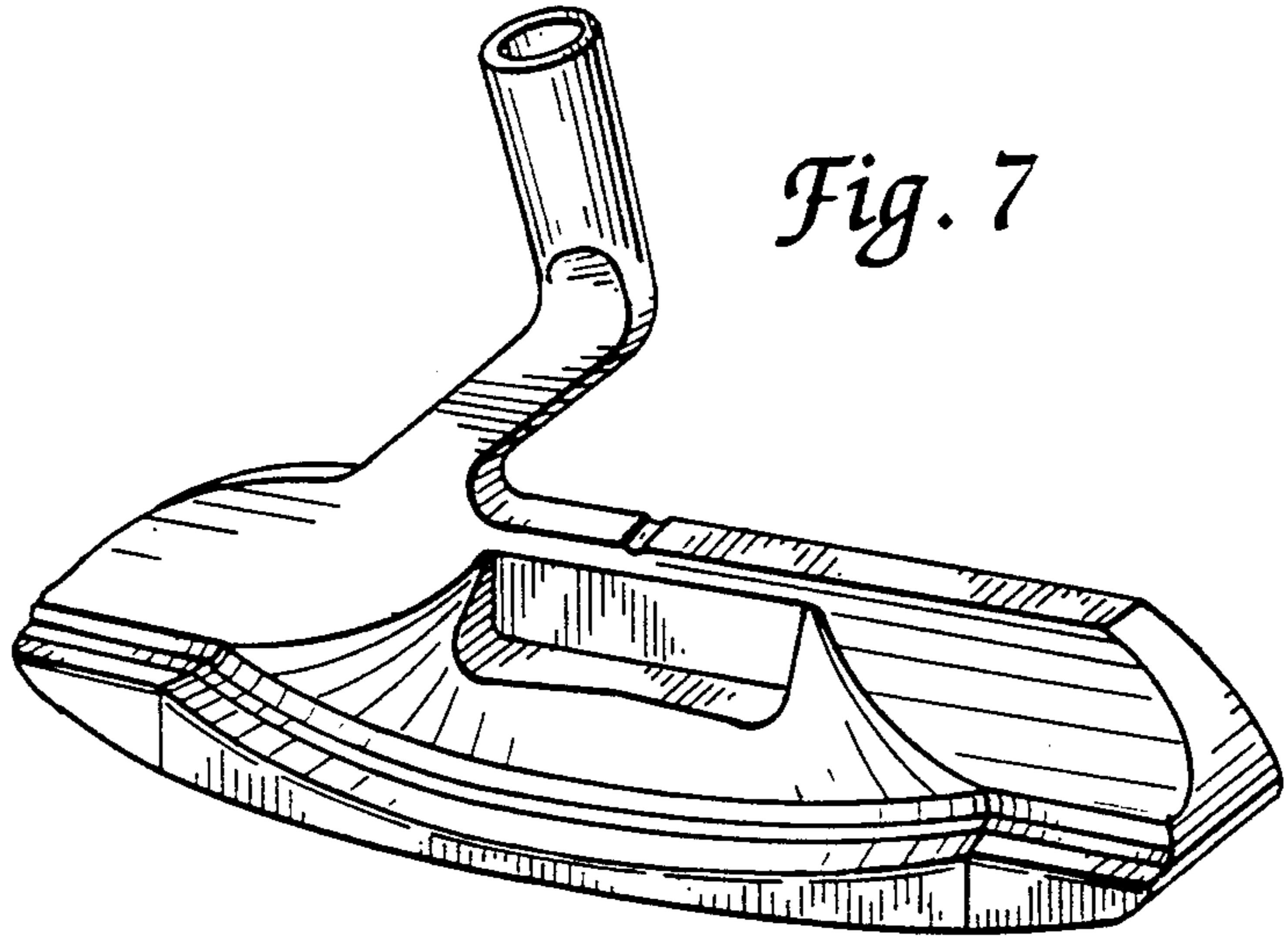


Fig. 8

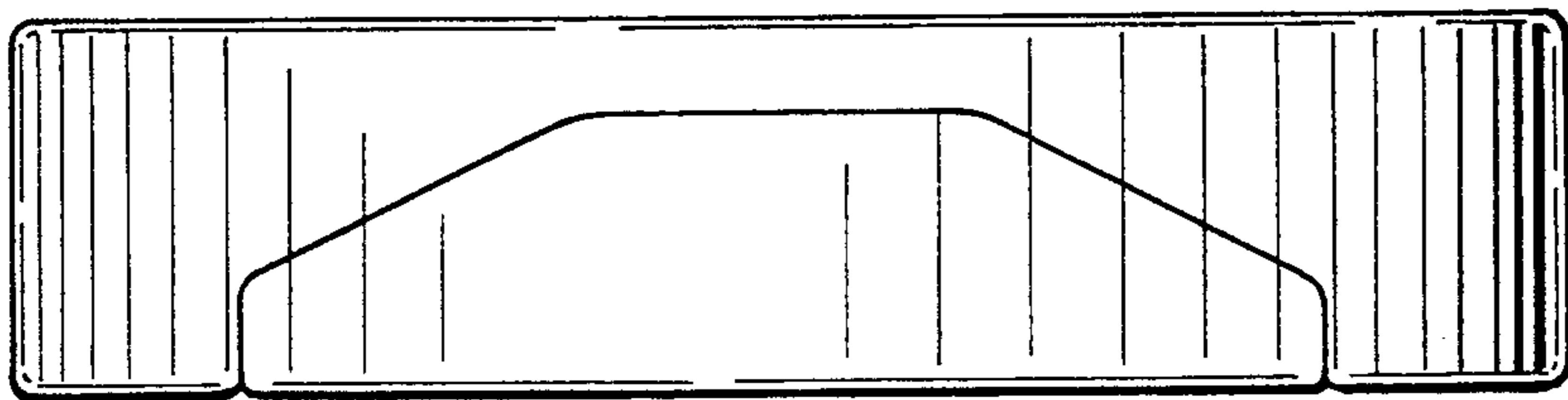


Fig. 9

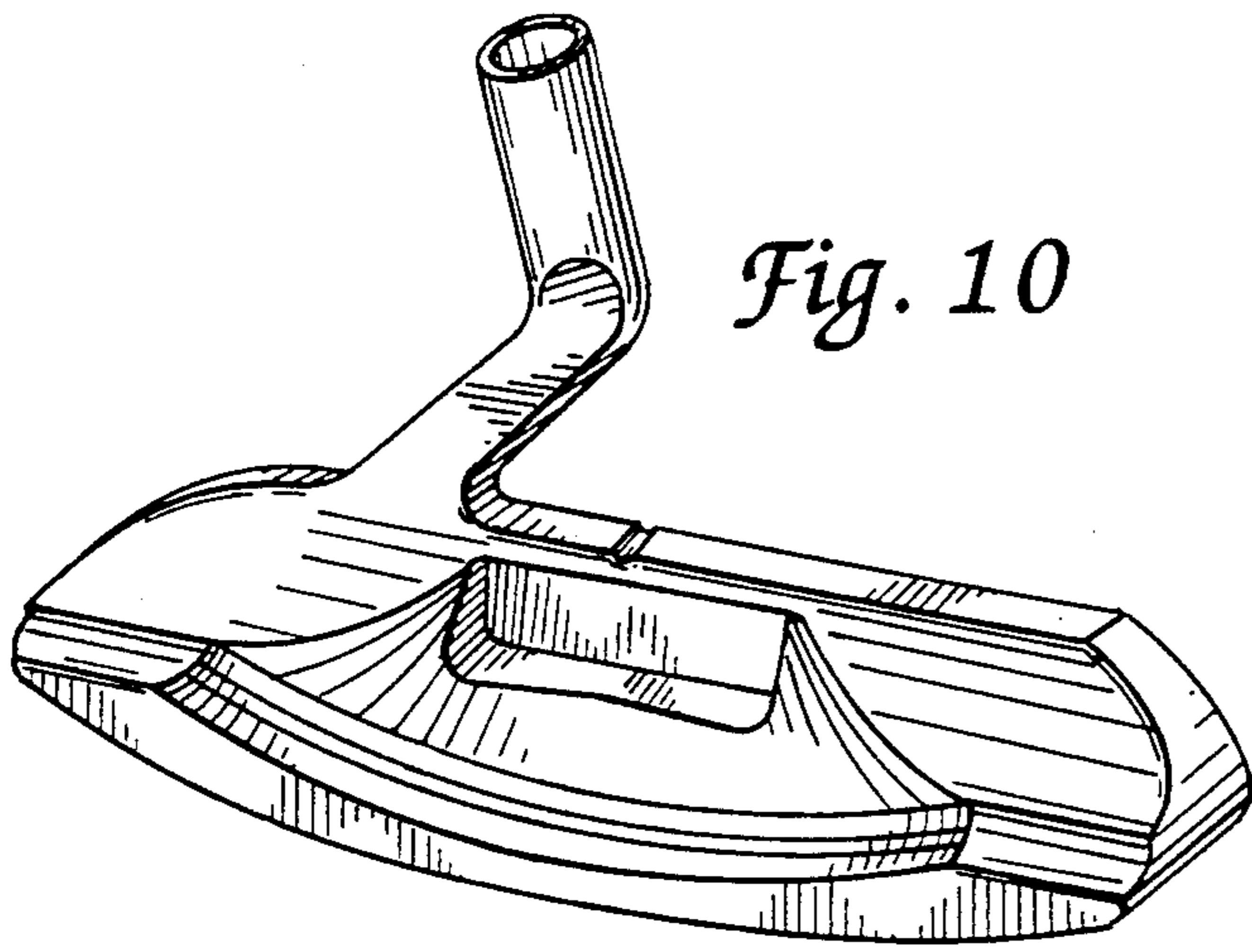


Fig. 10

Fig. 12

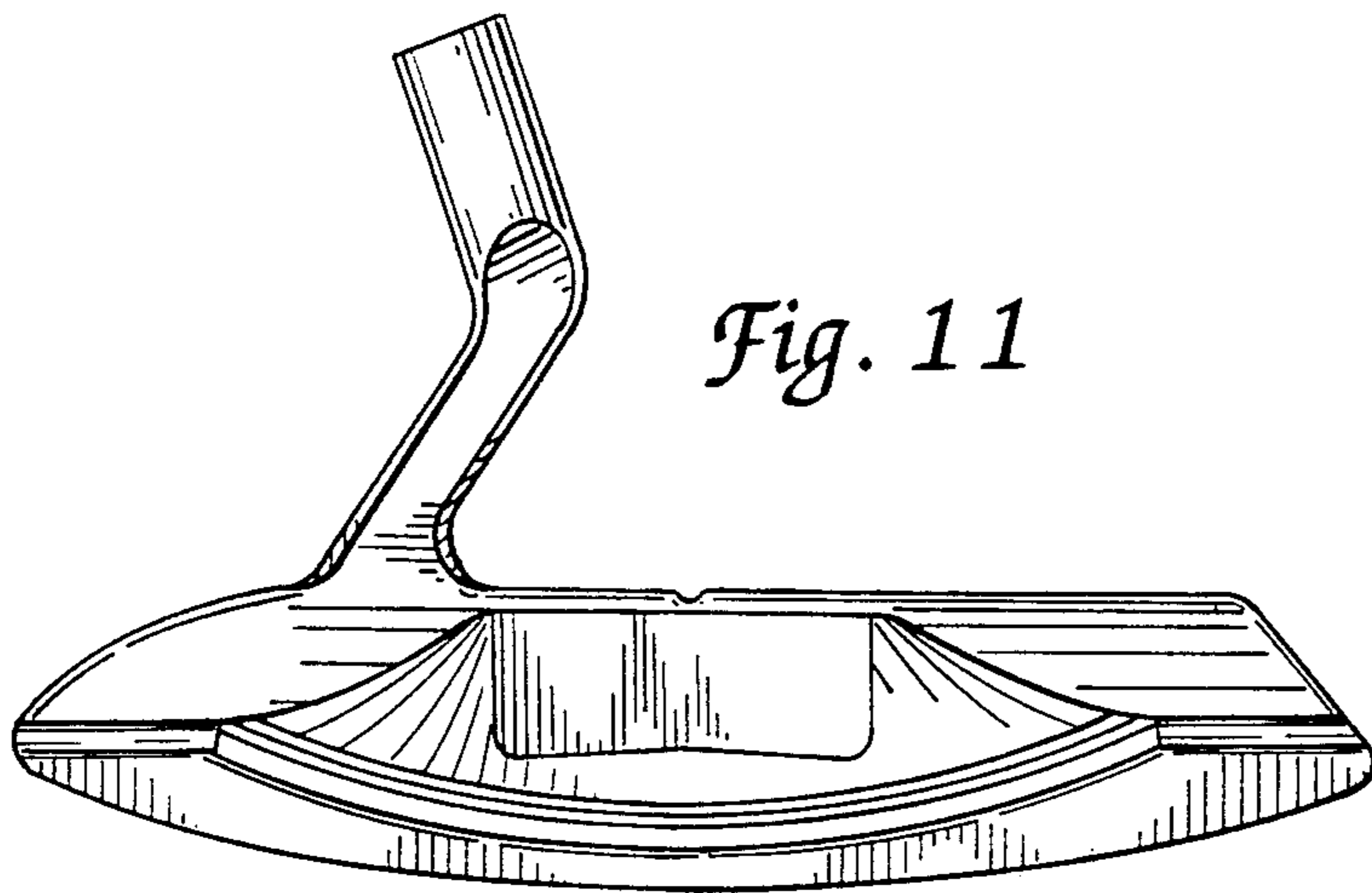
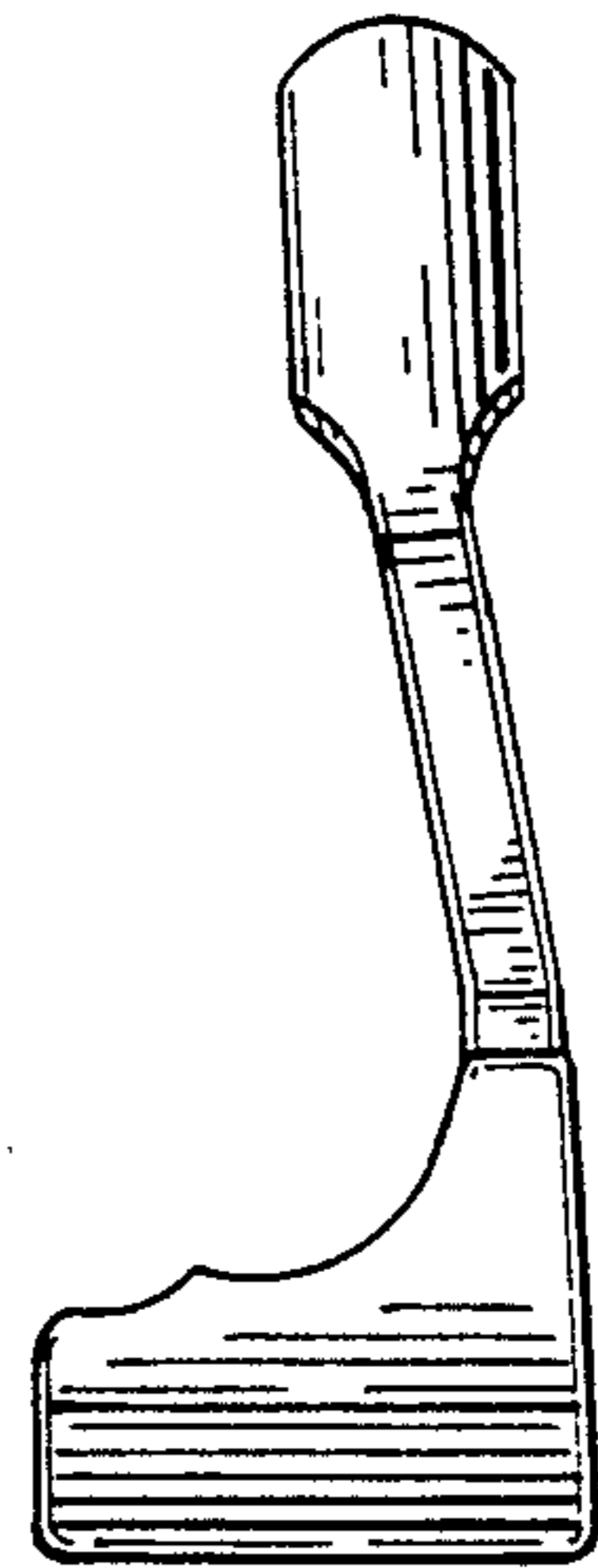


Fig. 11

Fig. 13

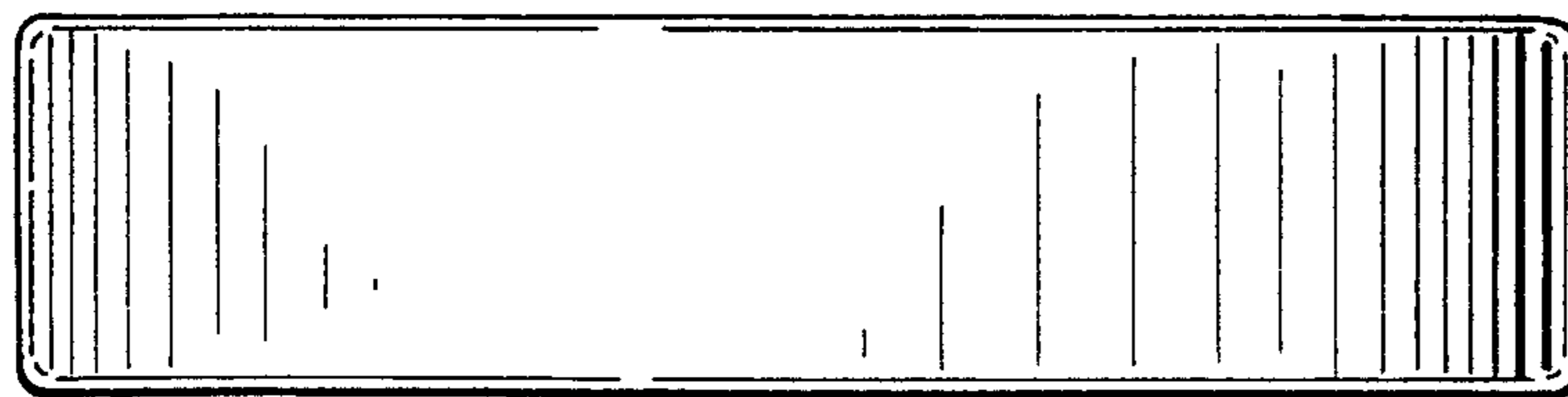
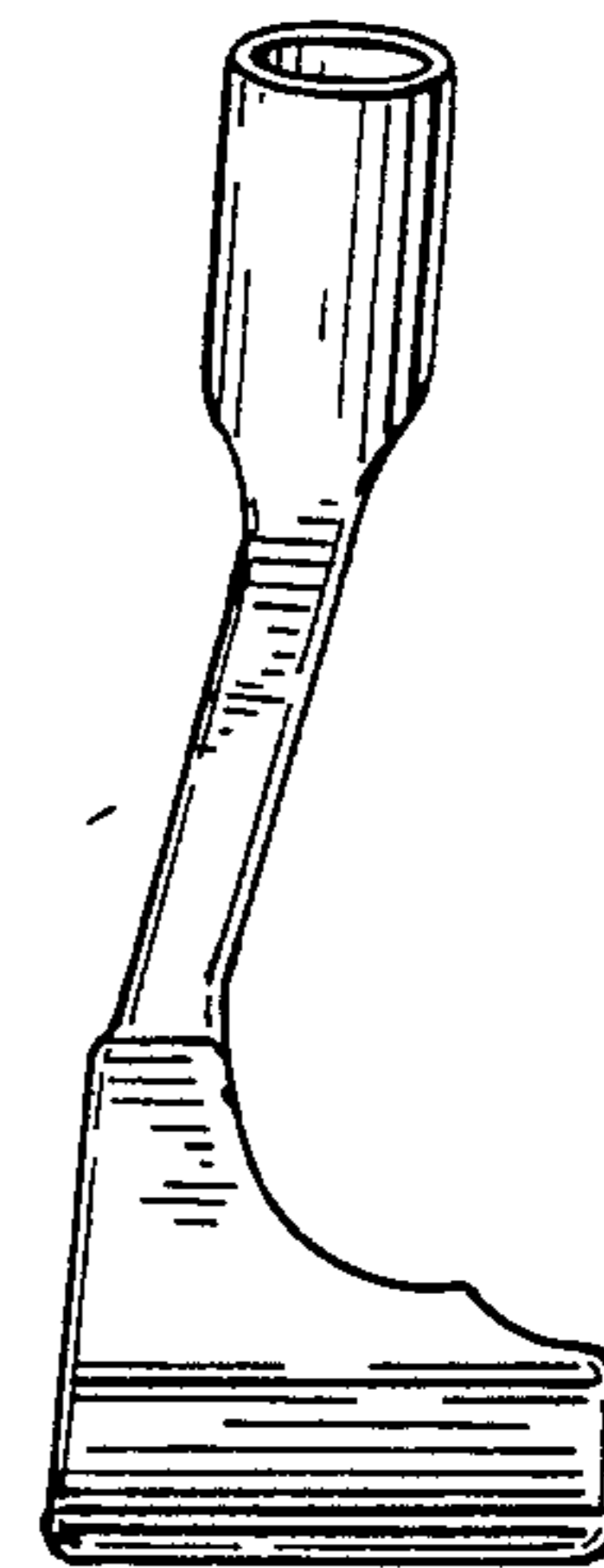


Fig. 14