



US00D329902S

**United States Patent** [19]  
**Kim**

[11] **Patent Number: Des. 329,902**

[45] **Date of Patent: \*\* Sep. 29, 1992**

[54] **MICROCENTRIFUGE**

[76] **Inventor: Young R. Kim, 271-19**  
Samjeong-Dong, Jung-Ku, Buchun,  
Rep. of Korea

[\*\*] **Term: 14 Years**

[21] **Appl. No.: 521,932**

[22] **Filed: May 11, 1990**

[52] **U.S. Cl. .... D24/219**

[58] **Field of Search ..... D24/219; 57/76; 422/72,**  
422/64; 494/9, 10, 16, 69, 73, 85

[56] **References Cited**

**U.S. PATENT DOCUMENTS**

- D. 211,466 6/1968 Gulotta ..... D24/219
- D. 259,140 5/1981 Pruss et al. .... D24/219
- D. 303,147 8/1989 Ota ..... D24/219

- D. 303,569 9/1989 Eberle ..... D24/219
- D. 303,570 9/1989 Eberle ..... D24/219
- 2,699,289 9/1950 Allen et al. .... D24/219 X

*Primary Examiner*—Stella Reid  
*Assistant Examiner*—I. Simmons  
*Attorney, Agent, or Firm*—Birch, Stewart, Kolasch &  
Birch

[57] **CLAIM**

The ornamental design for a microcentrifuge as shown and described.

**DESCRIPTION**

FIG. 1 is a perspective view of a microcentrifuge showing my new design;  
FIG. 2 is an elevational view thereof showing the side opposite that shown in FIG. 1;  
FIG. 3 is a rear elevational view thereof; and,  
FIG. 4 is a bottom plan view thereof.

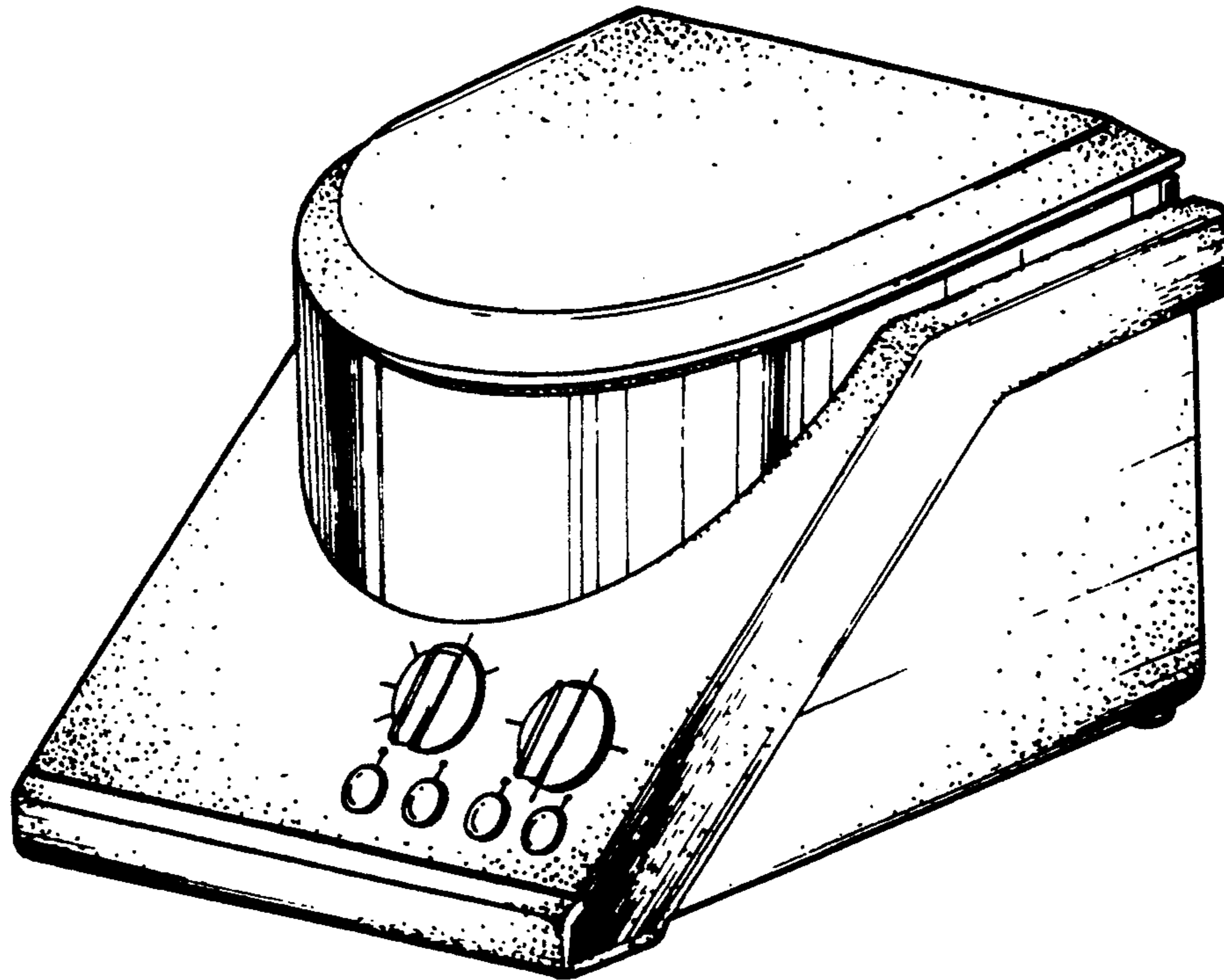


FIG. 1

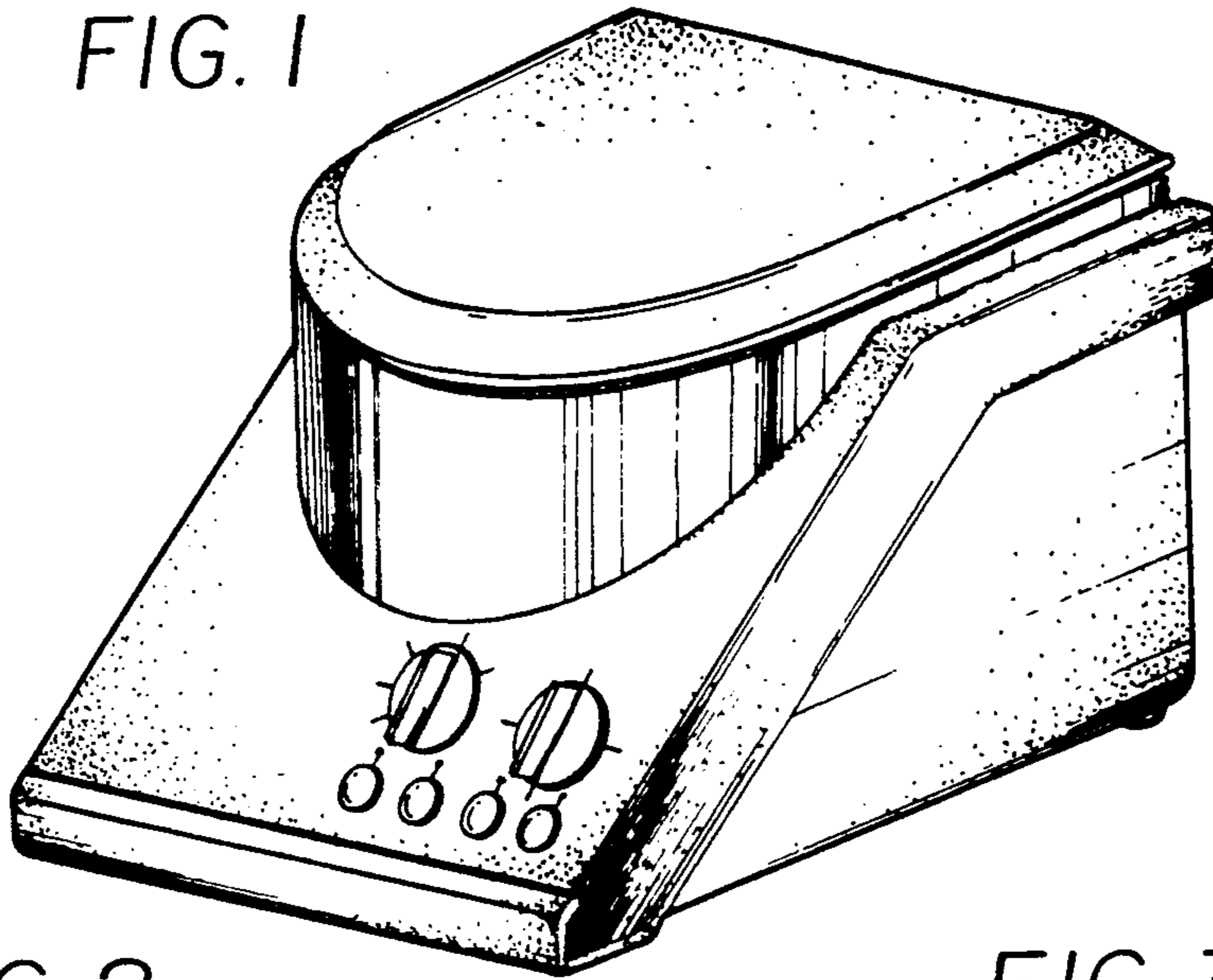


FIG. 2

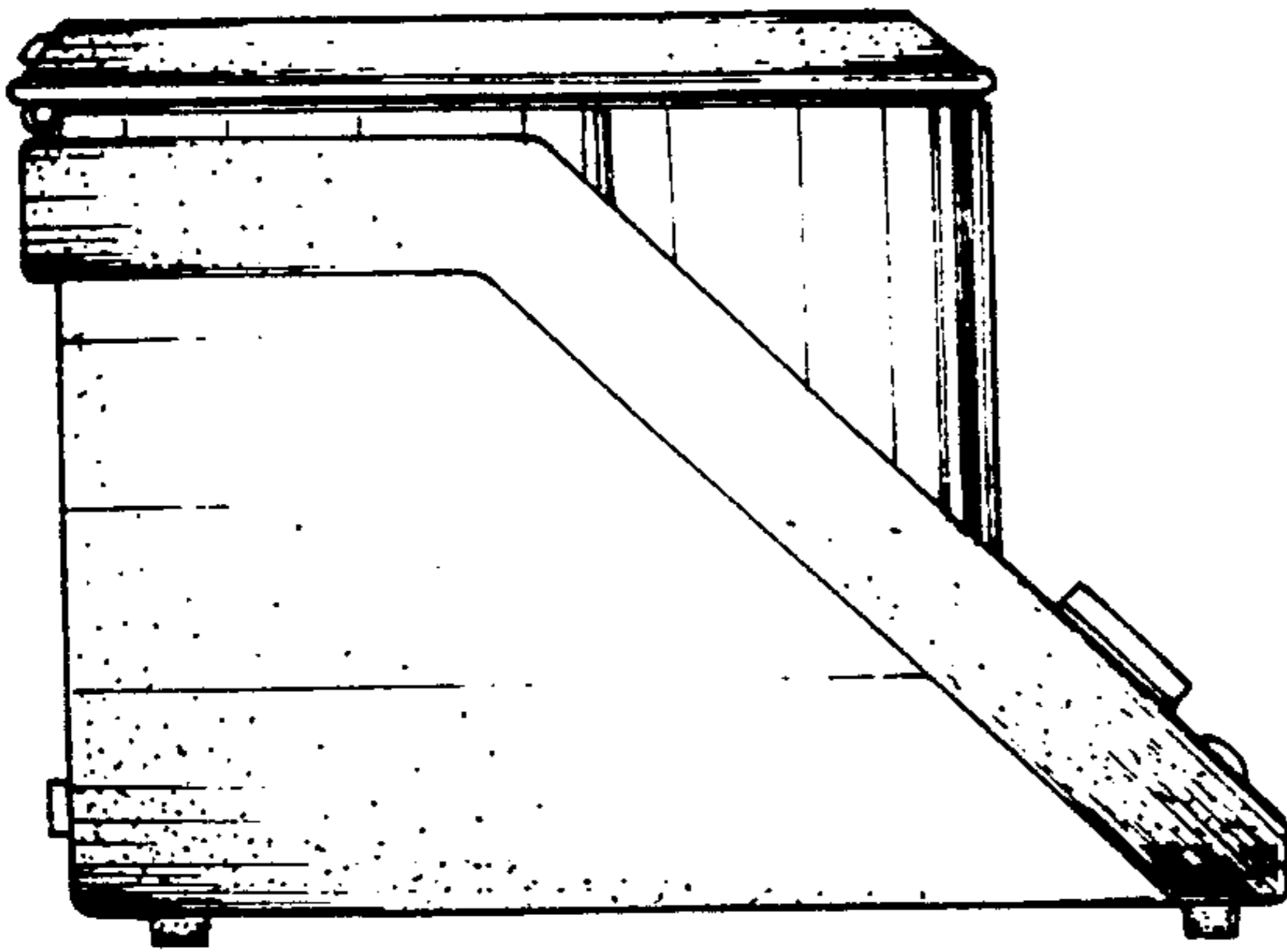


FIG. 3

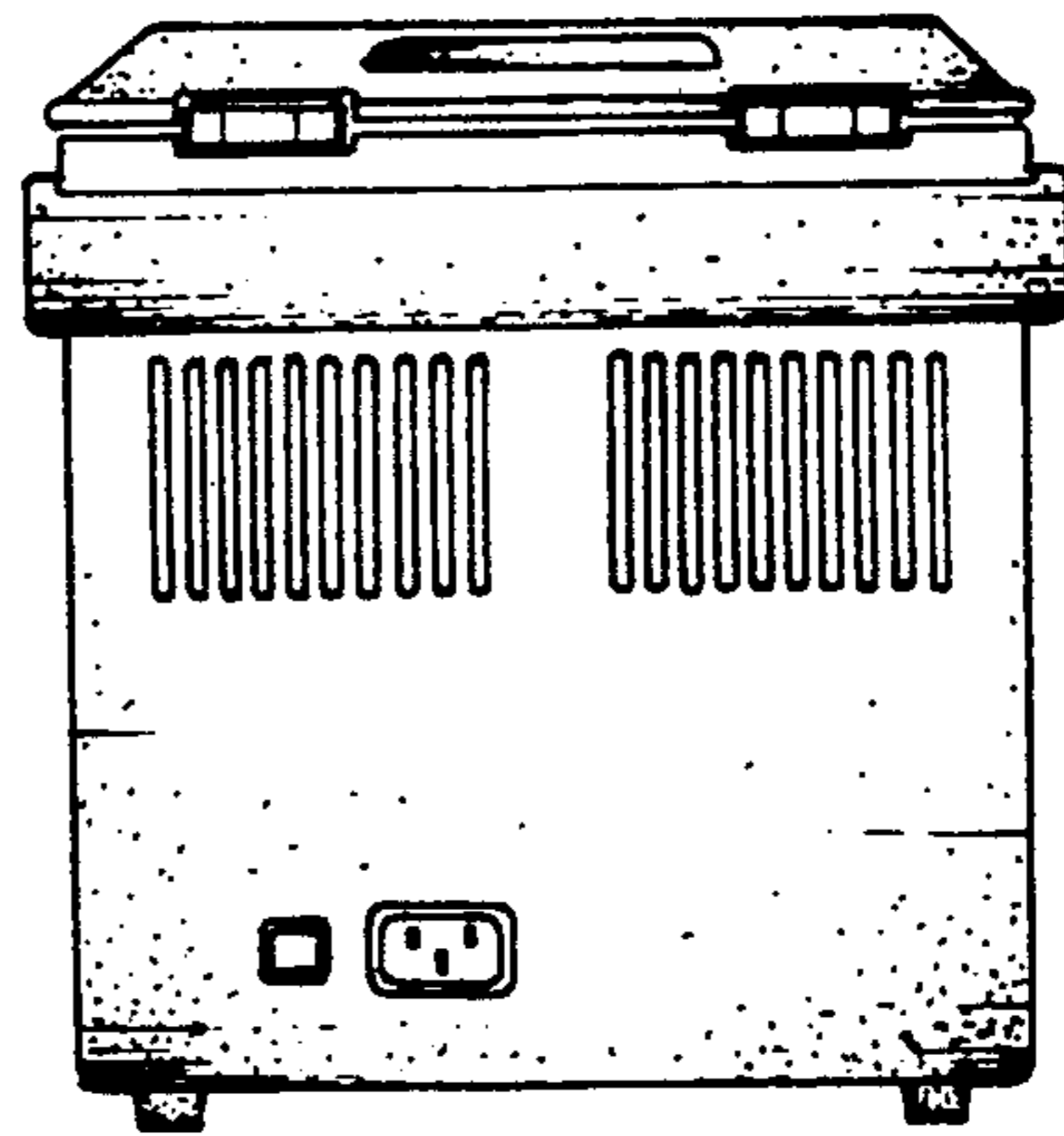


FIG. 4

