



US00D329900S

United States Patent [19]

[11] Patent Number: **Des. 329,900**

Berger

[45] Date of Patent: **** Sep. 29, 1992**

[54] **COMBINED DENTAL MOLD AND BASE**

[57] **CLAIM**

[76] Inventor: **Robert P. Berger**, 20600 Plummer St., Chatsworth, Calif. 91311-5121

The ornamental design for an combined dental mold and base, as shown and described.

[**] Term: **14 Years**

DESCRIPTION

[21] Appl. No.: **721,203**

FIG. 1 is an exploded front elevational view of a combined dental mold and base showing my new design; FIG. 2 is a rear elevational view thereof, the mold and base shown assembled;

[22] Filed: **Jun. 24, 1991**

[52] U.S. Cl. **D24/181**

[58] Field of Search **D24/216-217, D24/227, 176-182; D9/529, 430; 206/45.19, 83, 368-369; 433/229, 199.1, 213-214, 54-56**

FIG. 3 is an exploded right side elevational view thereof;

[56] References Cited

U.S. PATENT DOCUMENTS

- D. 179,297 11/1956 Isreeli D24/216
- D. 257,061 9/1980 Ritzler D24/177
- D. 266,487 10/1982 Mansau D9/430
- 3,139,180 6/1964 Kobernick 206/368 X
- 3,378,925 4/1968 Falber D24/181 X
- 4,261,461 4/1981 Kizlauskas 206/45.19 X

FIG. 4 is a left side elevational view thereof, the mold and base shown assembled;

FIG. 5 is a top plan view thereof, the mold shown separately for clarity of illustration;

FIG. 6 is a bottom plan view thereof;

FIG. 7 is a top plan view thereof, the base shown separately for clarity of illustration;

FIG. 8 is a bottom plan view thereof;

FIG. 9 is a cross-sectional view thereof, taken along line 9-9 in FIG. 7;

FIG. 10 is an exploded front elevational view of a second embodiment thereof;

FIG. 11 is a rear elevational view thereof, the mold and base shown assembled;

FIG. 12 is a top plan view thereof, the mold shown separately for clarity of illustration;

FIG. 13 is a bottom plan view thereof;

FIG. 14 is a top plan view thereof, the base shown separately for clarity of illustration;

FIG. 15 is a bottom plan view thereof; and,

FIG. 16 is a cross-sectional view thereof, taken along line 16-16 of FIG. 14.

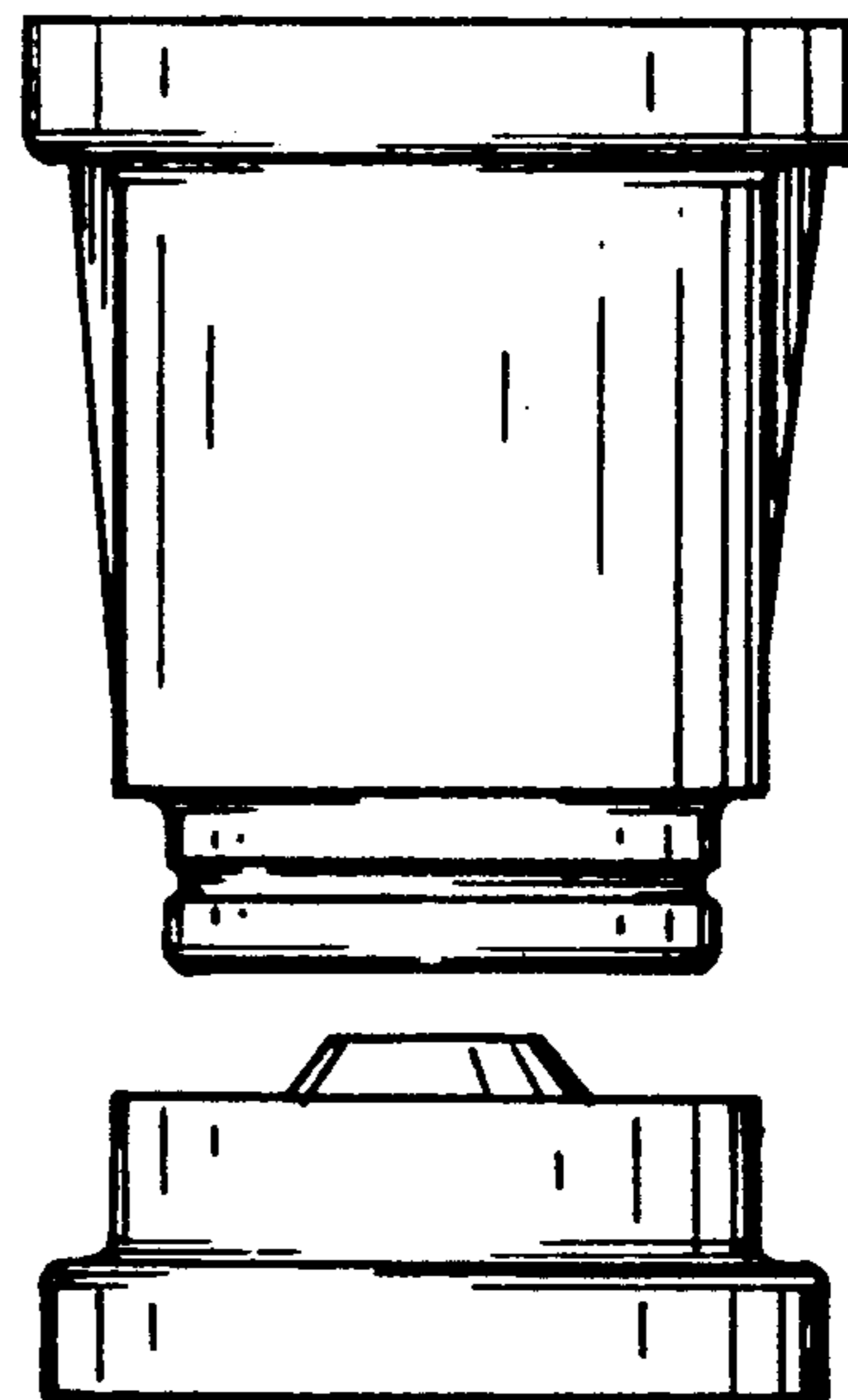
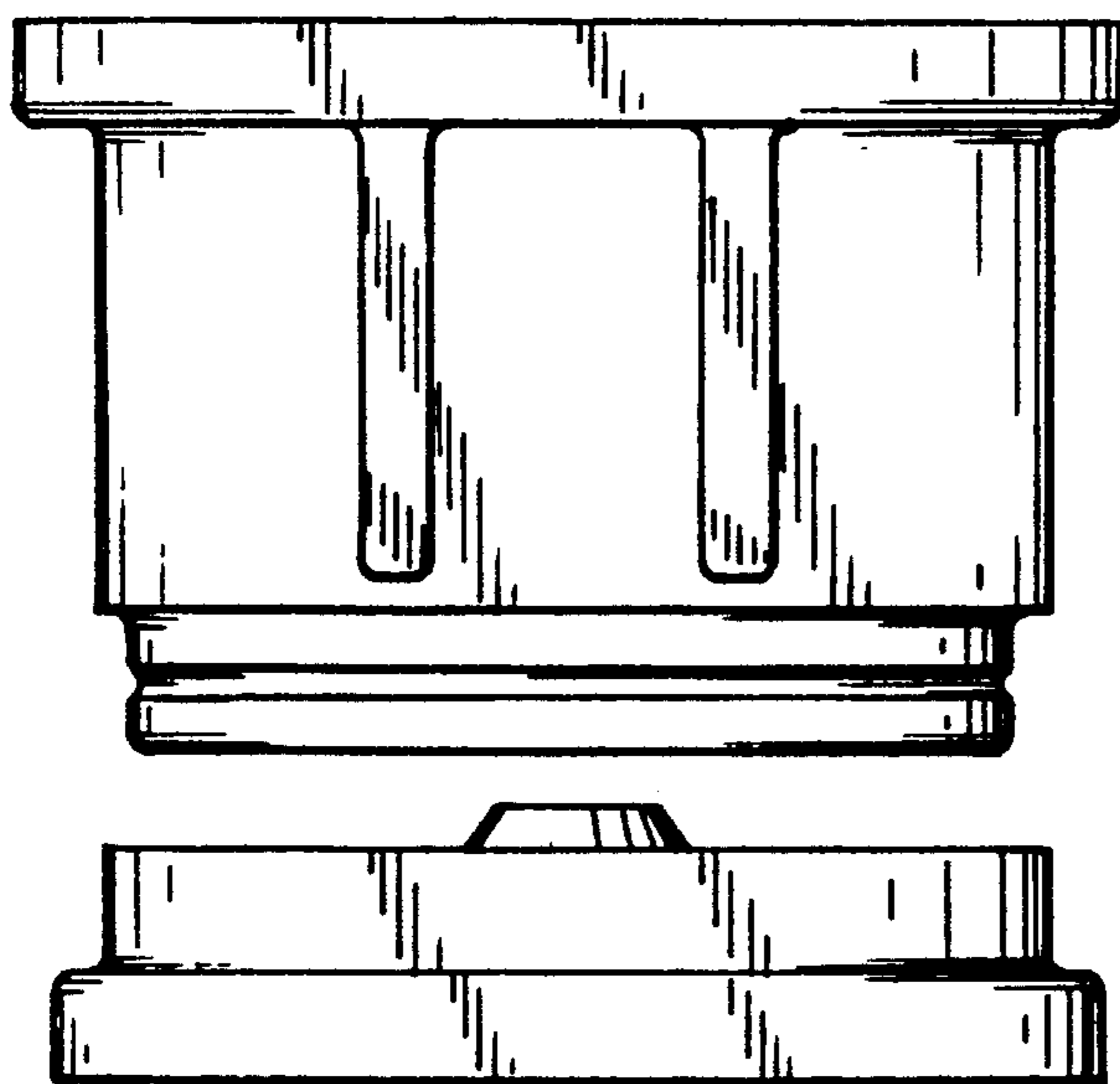
OTHER PUBLICATIONS

Belle de St Claire Catalog, 1988, p. 33.

Primary Examiner—Susan J. Lucas

Assistant Examiner—M. H. Tung

Attorney, Agent, or Firm—Notaro & Michalos



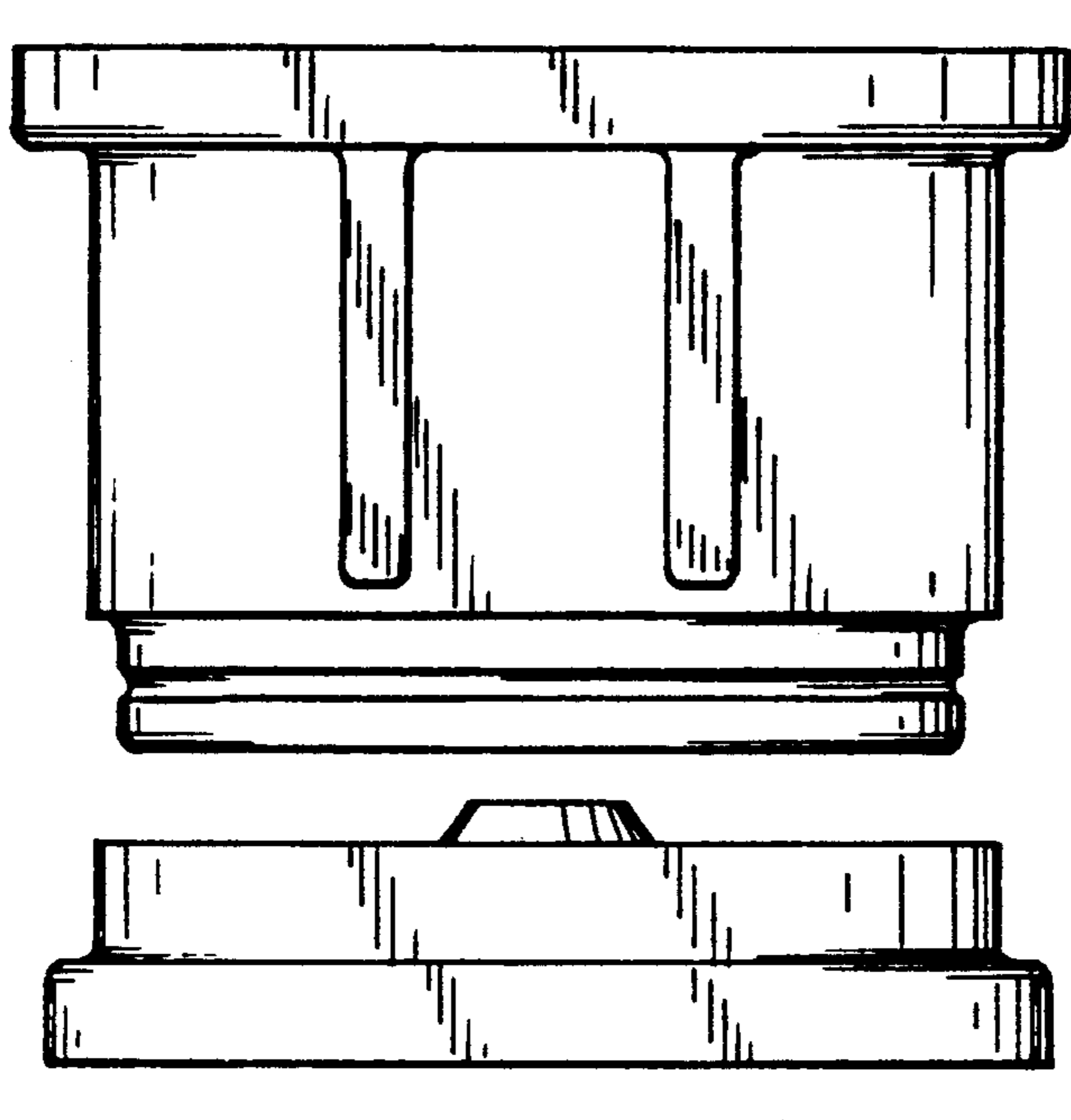


FIG. 1

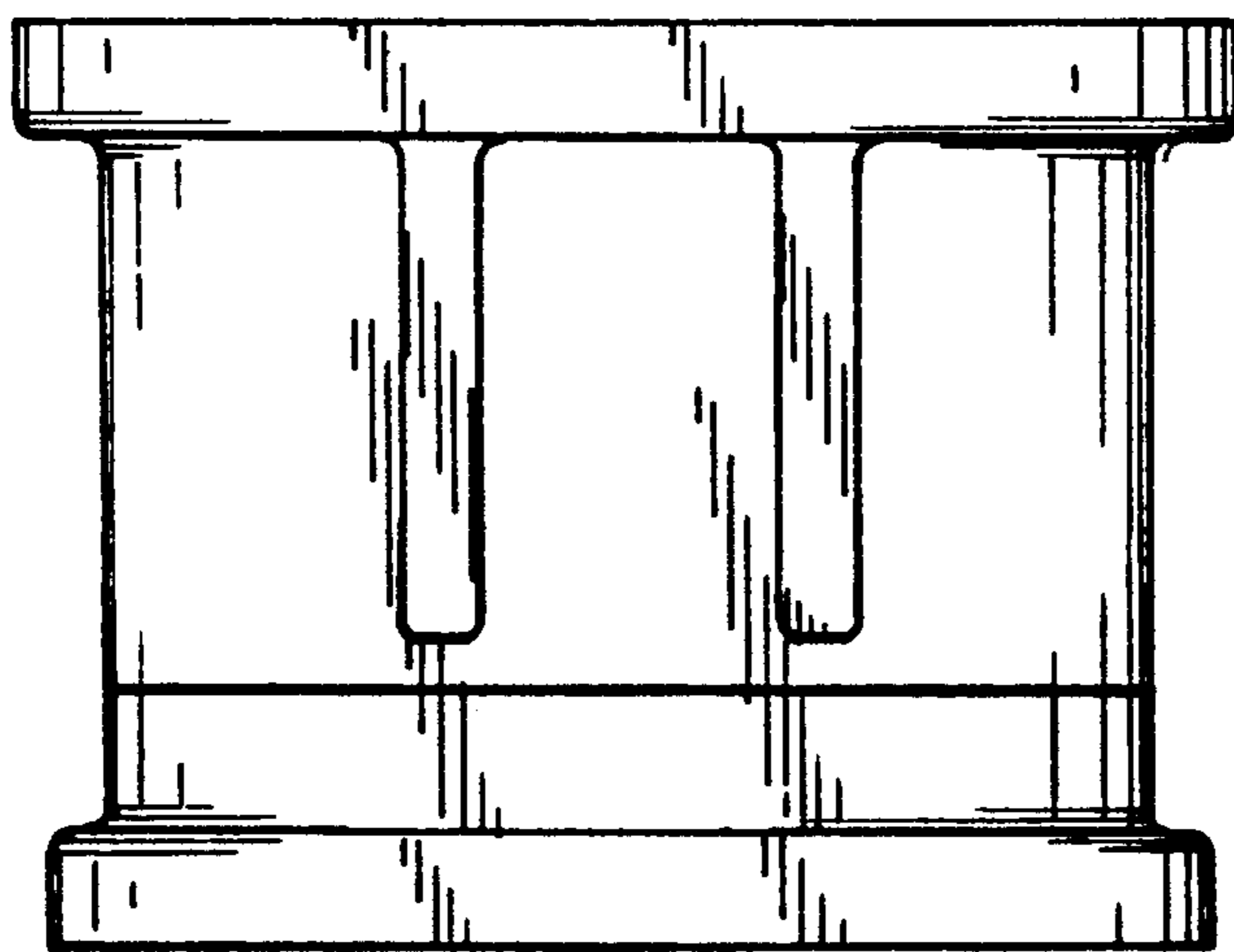
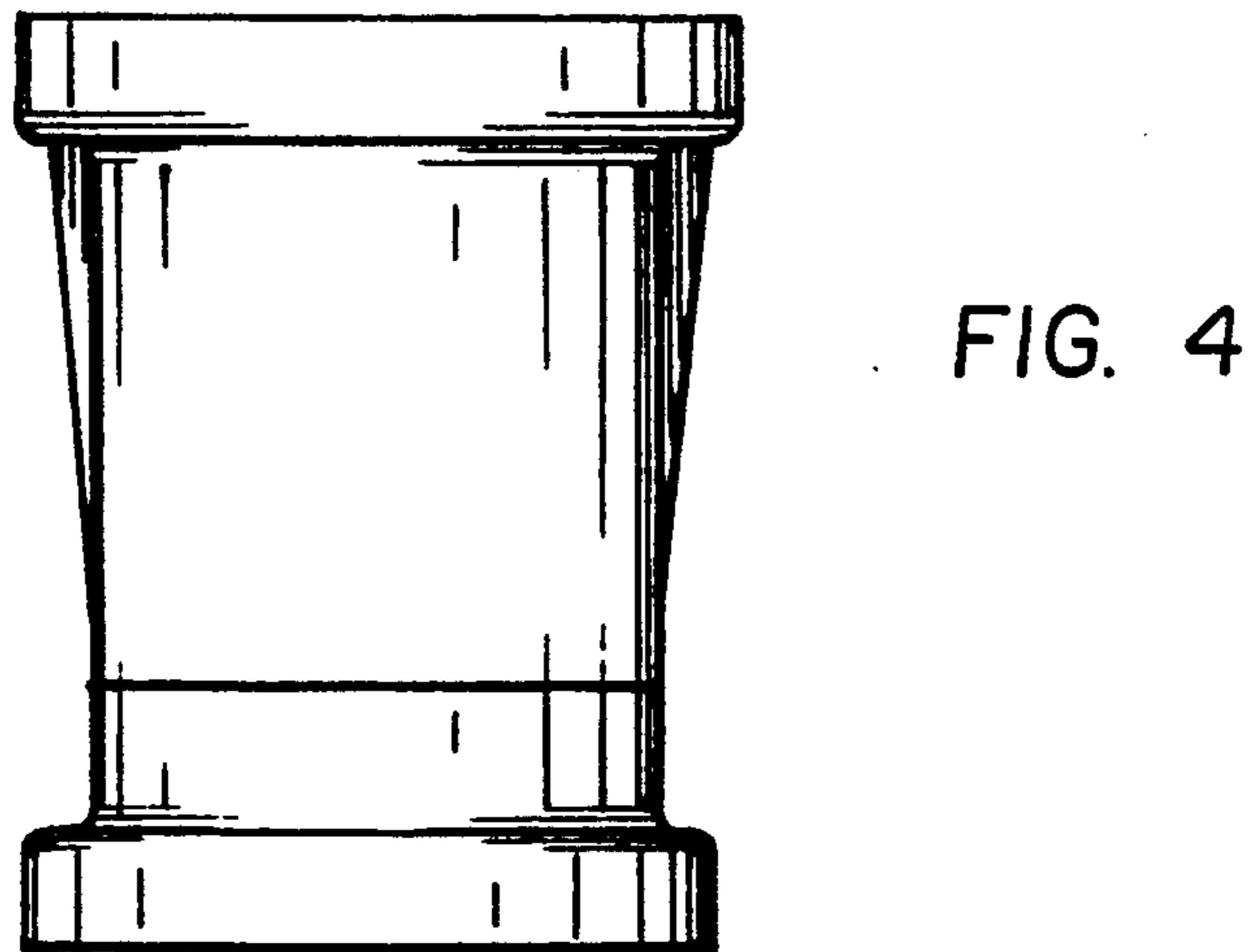
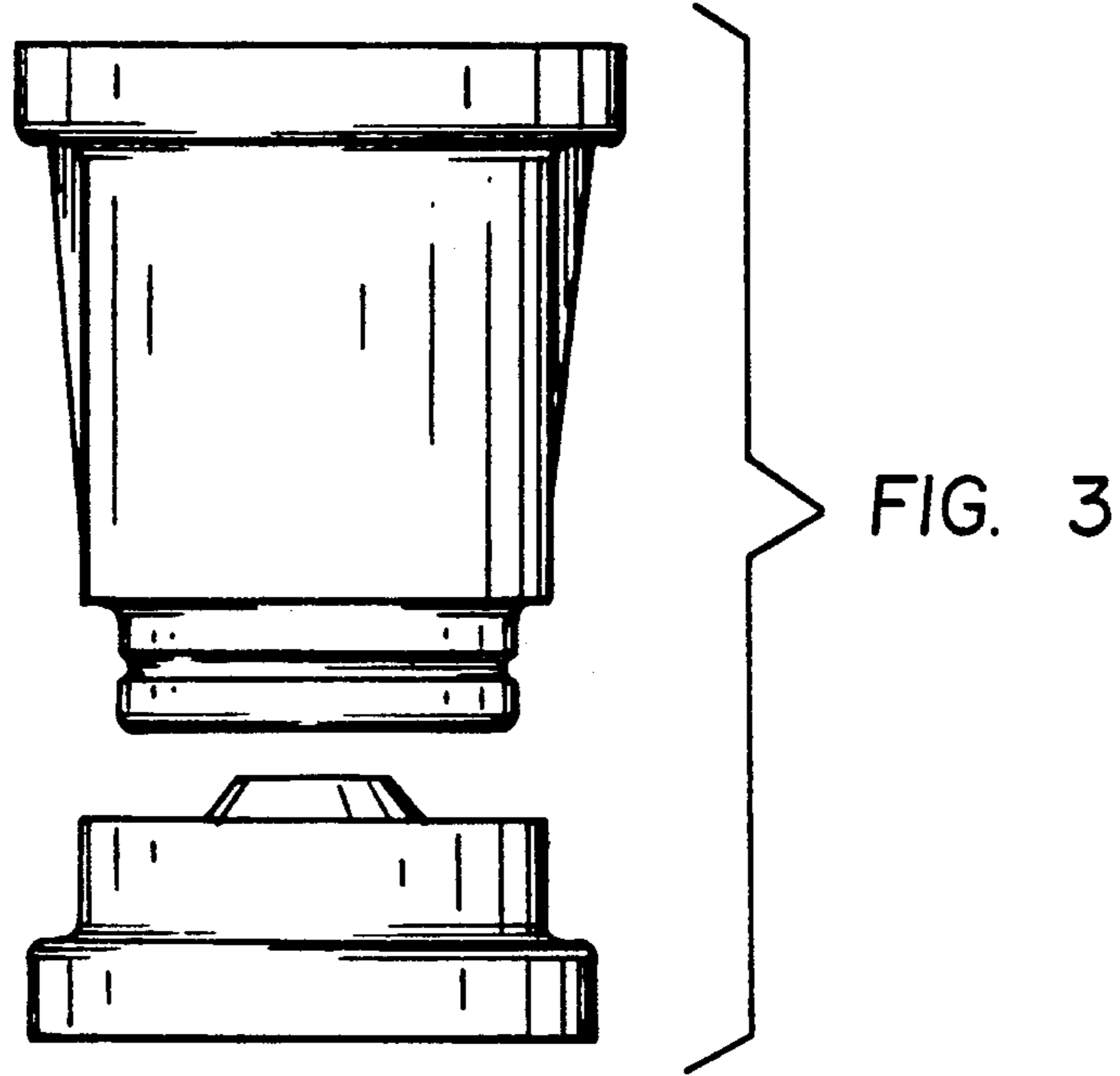


FIG. 2



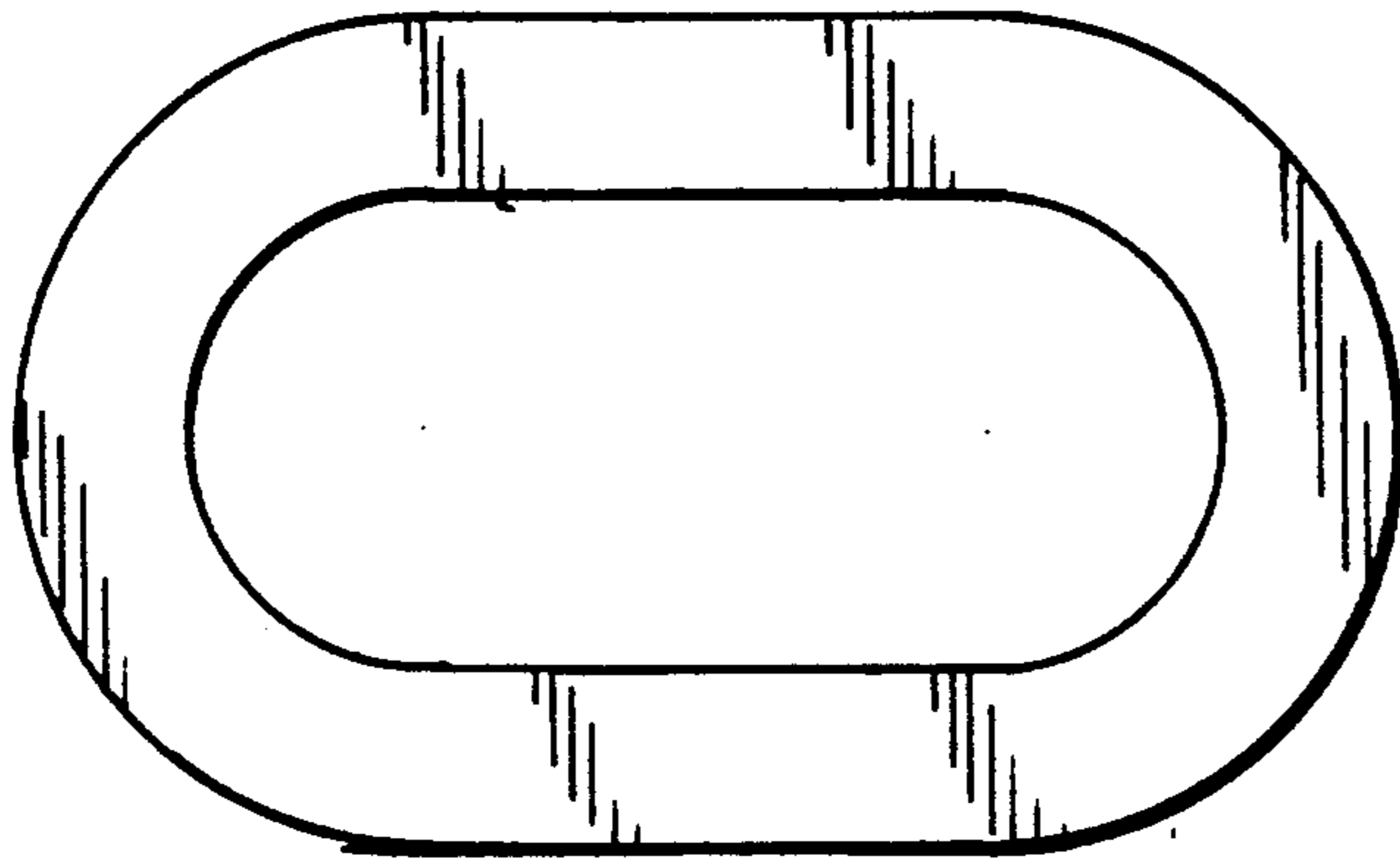


FIG. 5

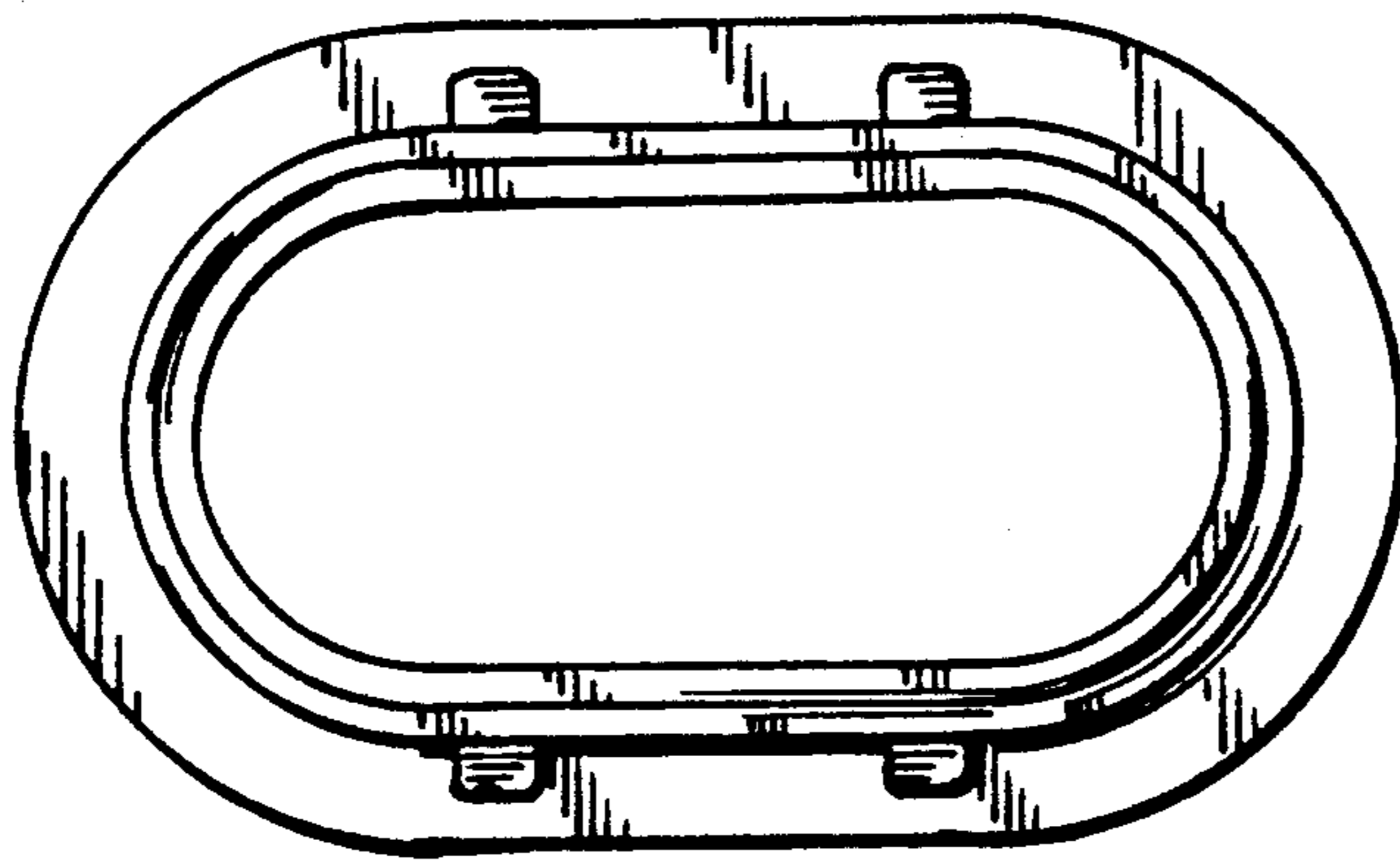


FIG. 6

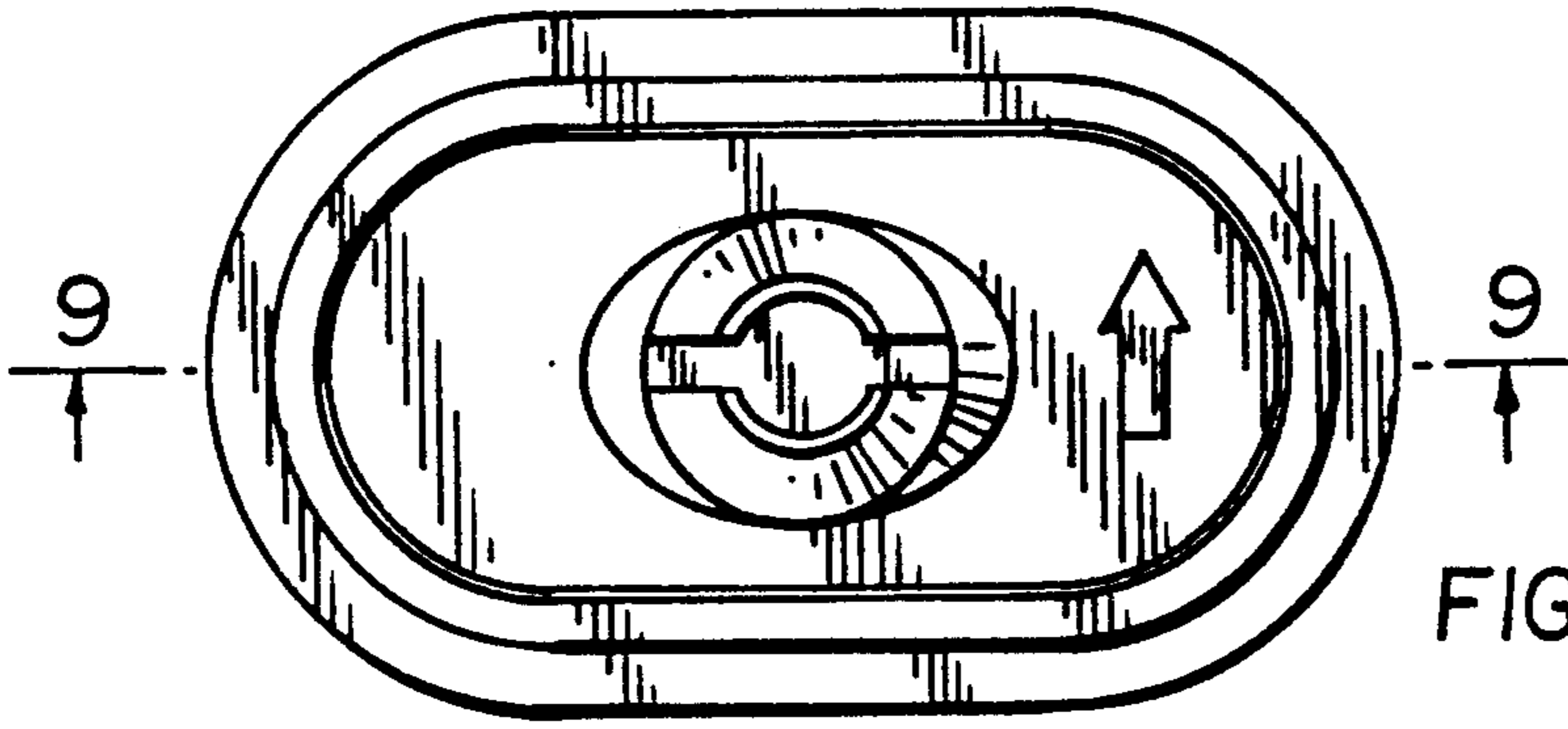


FIG. 7

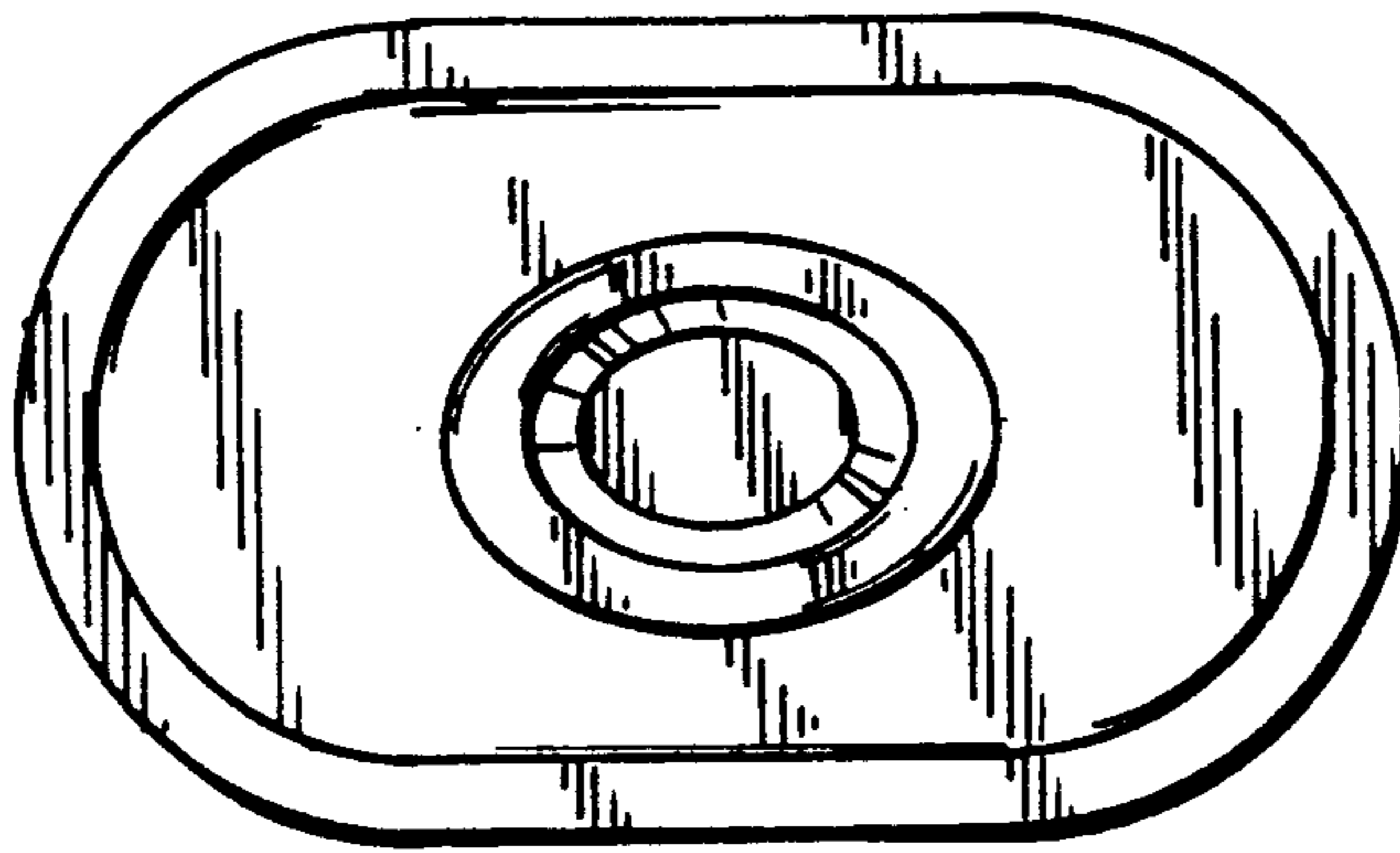


FIG. 8

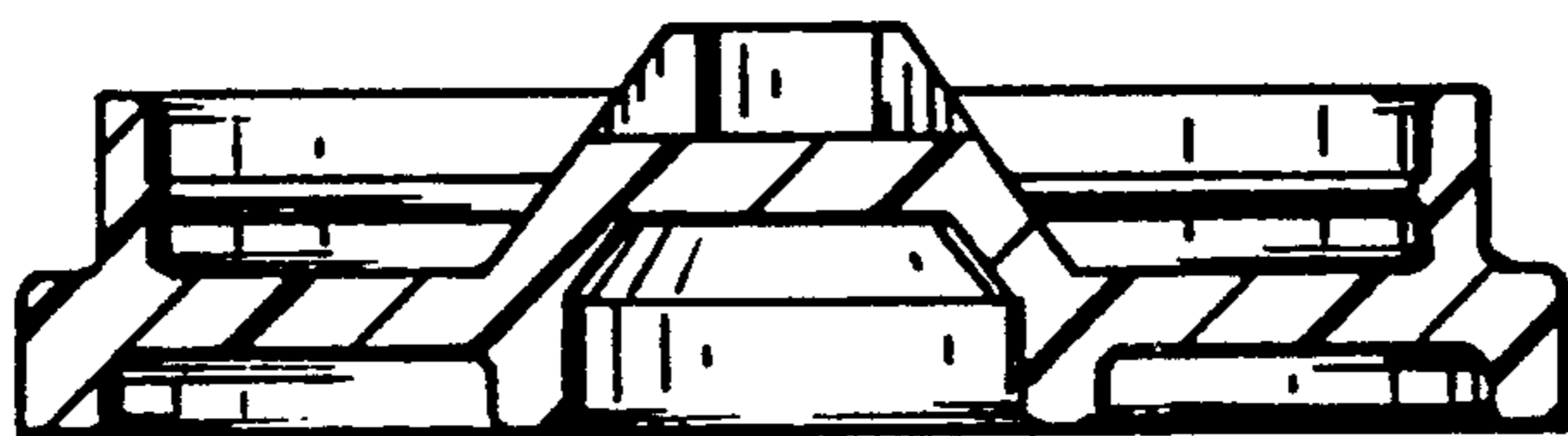
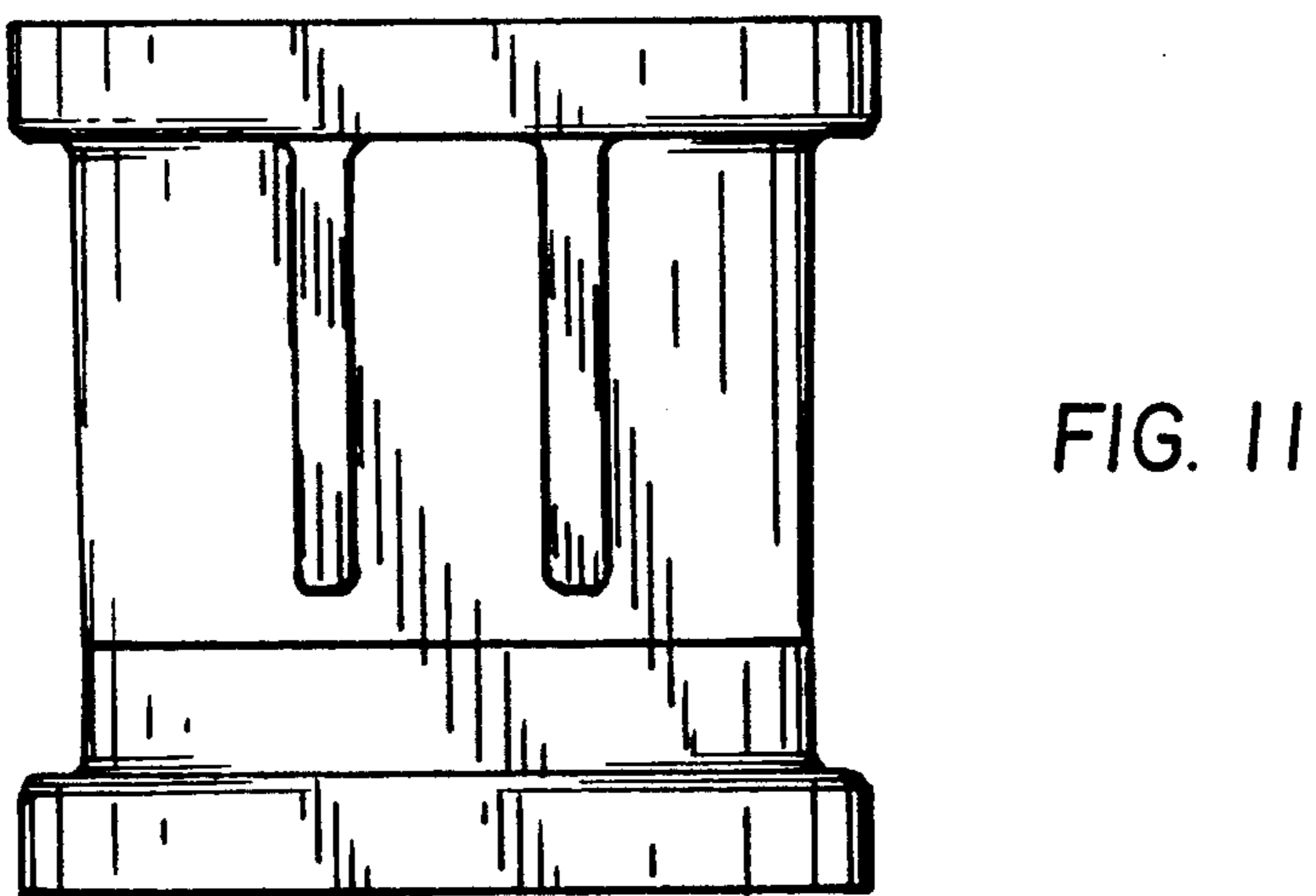
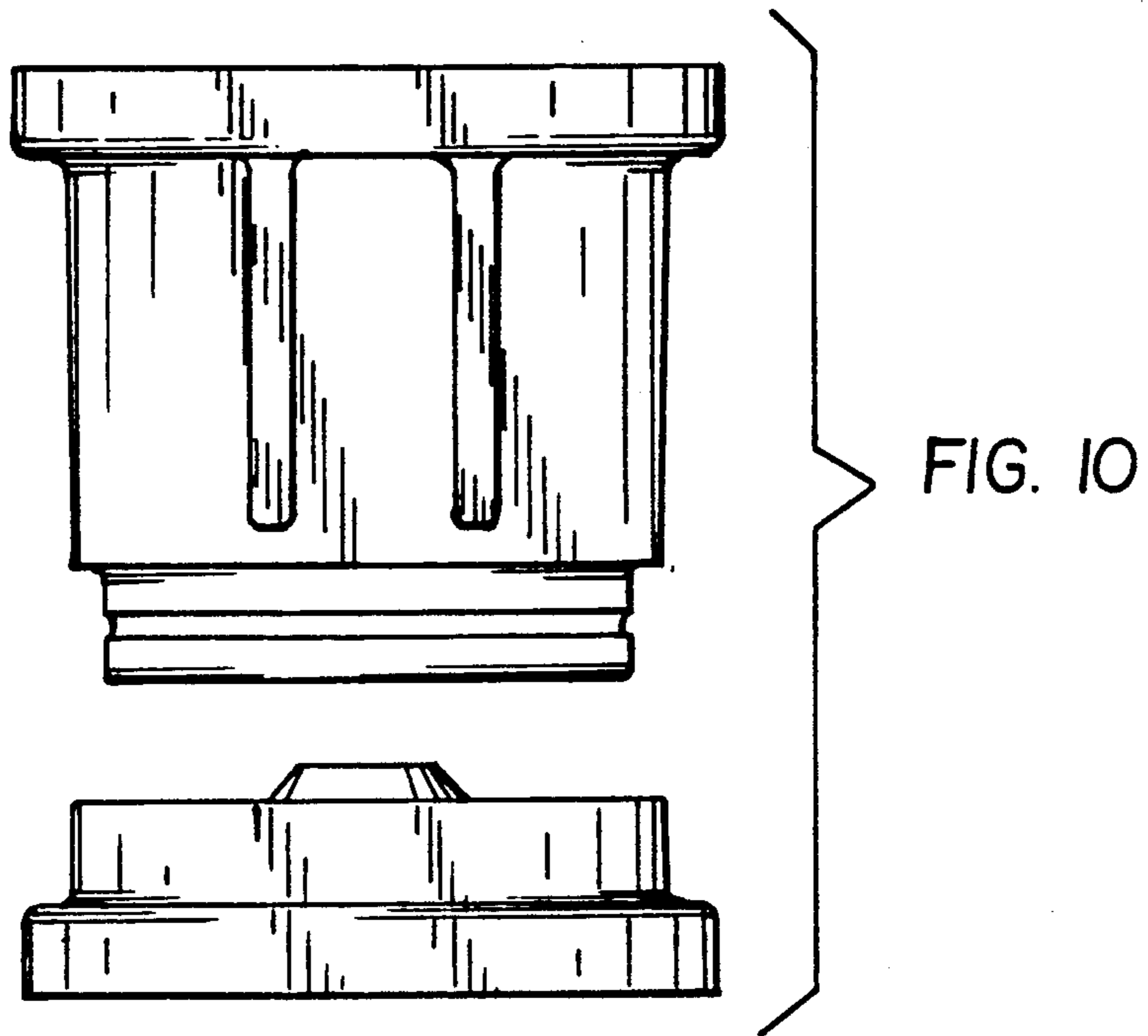


FIG. 9



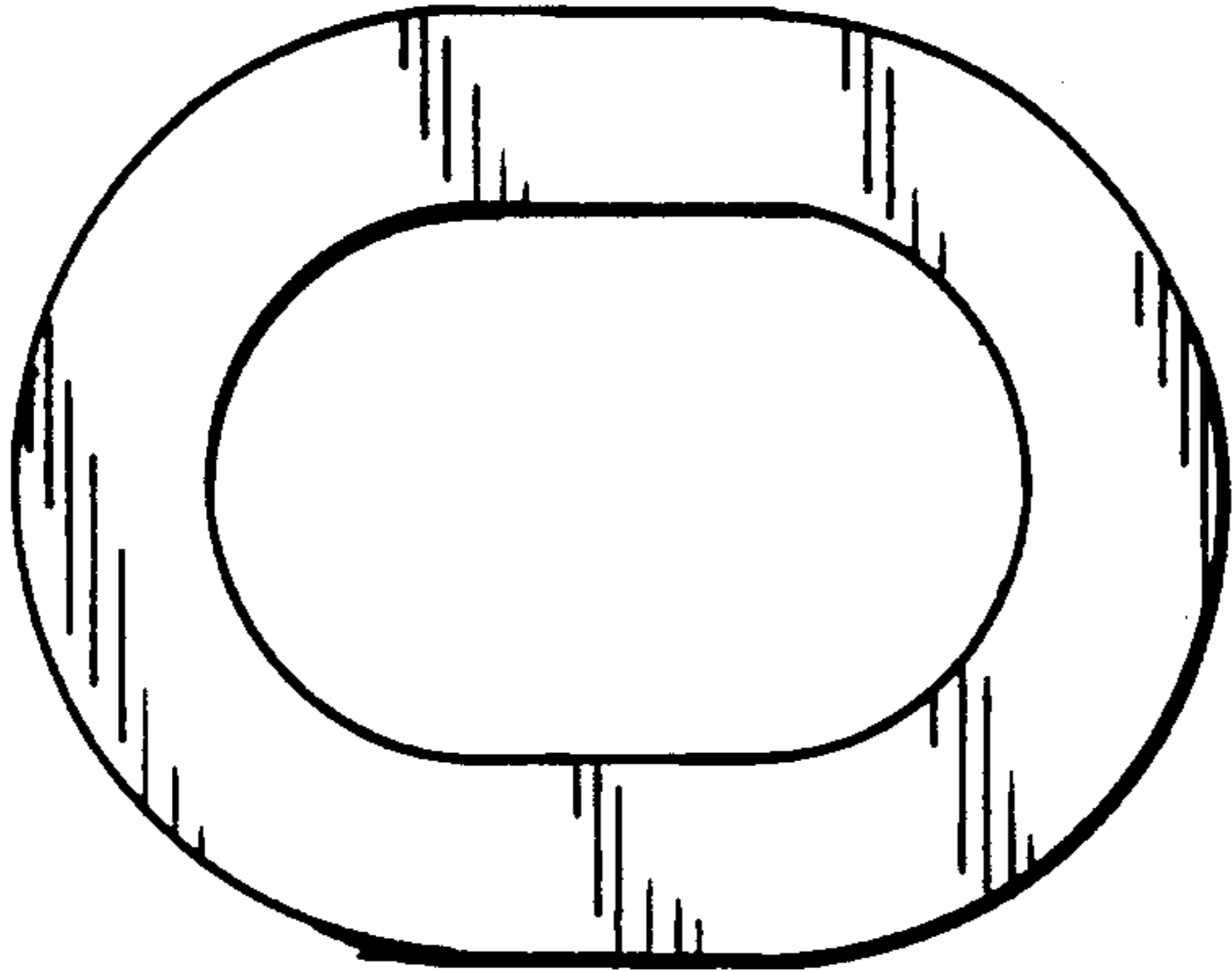


FIG. 12

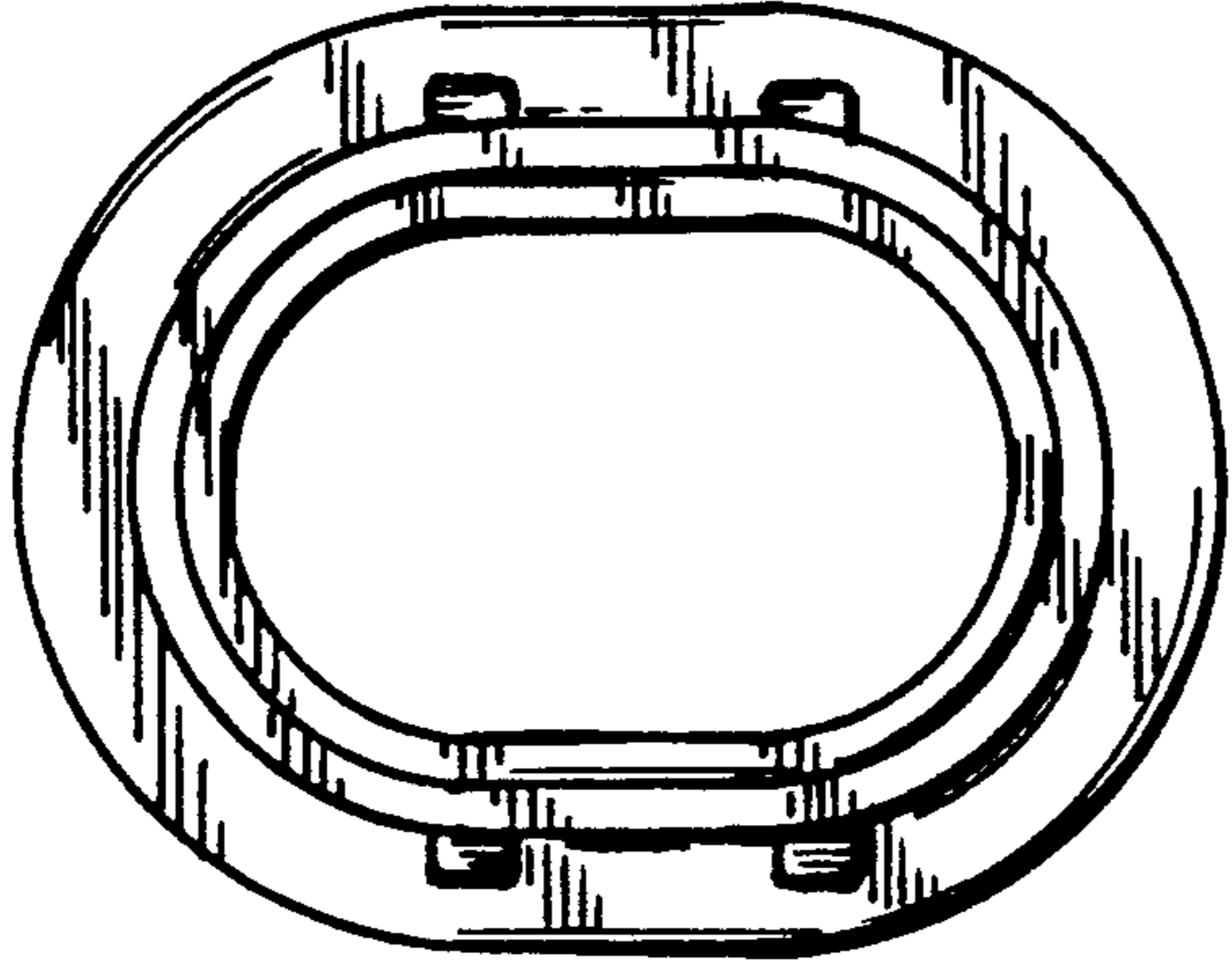


FIG. 13

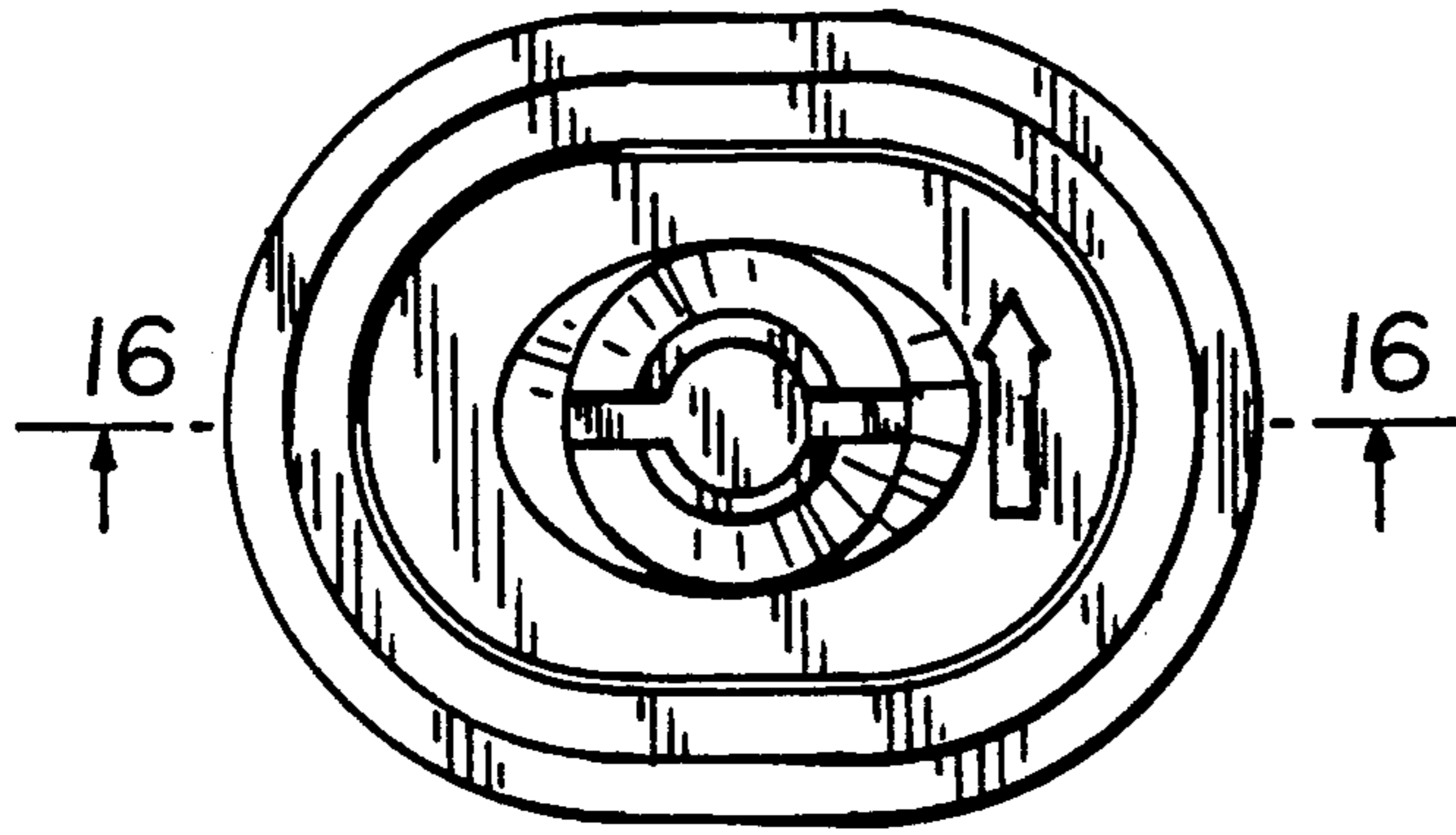


FIG. 14

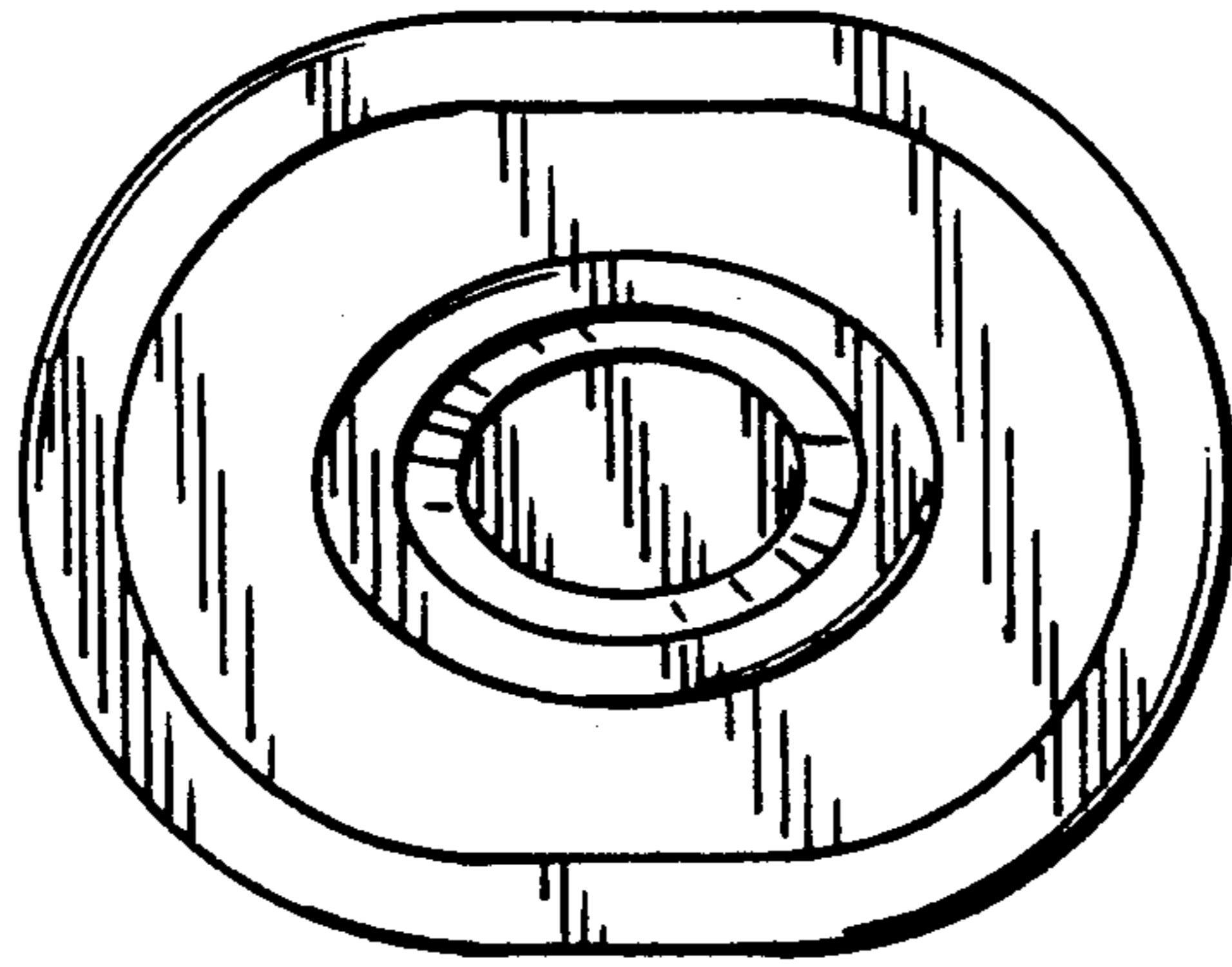


FIG. 15

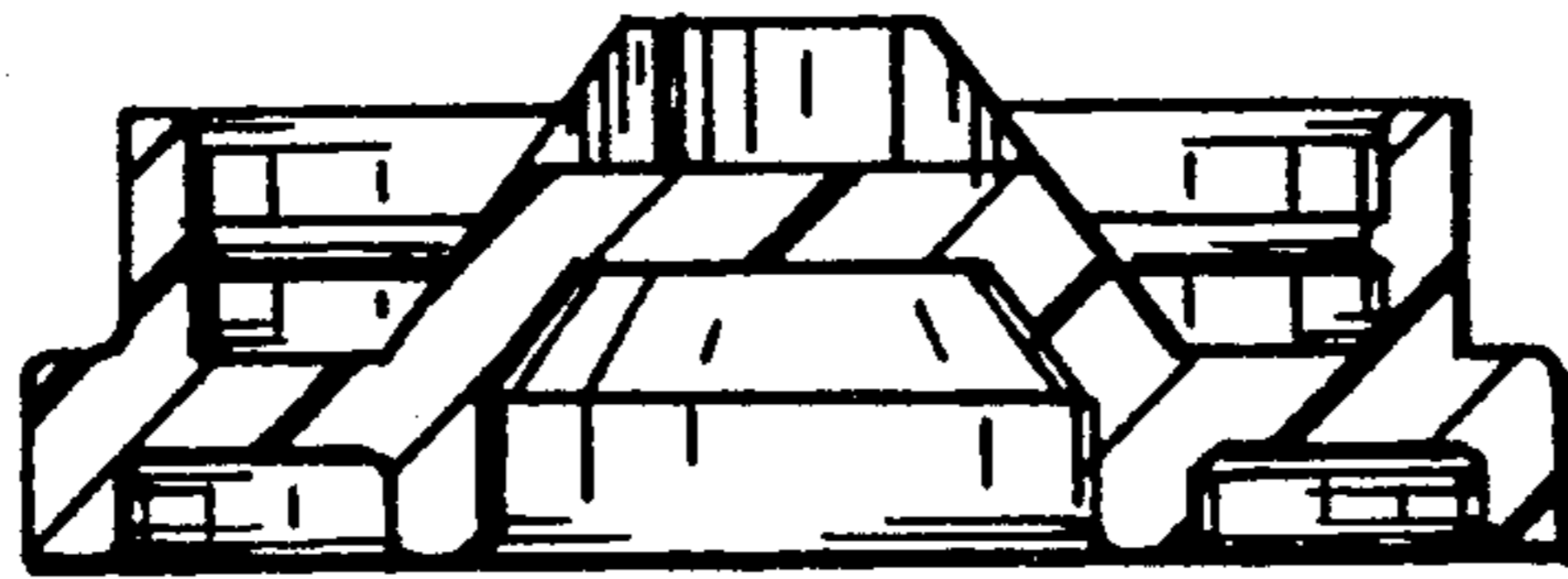


FIG. 16