



US00D329895S

# United States Patent [19]

[11] Patent Number: **Des. 329,895**

Chumsae

[45] Date of Patent: **\*\* Sep. 29, 1992**

[54] **DUCT CANISTER FOR CARRYING AND STORING SECTIONS OF A FLEXIBLE DUCT USED WITH PORTABLE VENTILATORS**

4,379,359 4/1983 Young ..... 454/338

[75] Inventor: **Mark S. Chumsae**, Shrewsbury, Mass.

*Primary Examiner*—Wallace R. Burke  
*Assistant Examiner*—Lisa Lichtenstein  
*Attorney, Agent, or Firm*—Samuels, Gauthier & Stevens

[73] Assignee: **Coppus Engineering Corporation**, Millbury, Mass.

[57] **CLAIM**

[\*\*] Term: **14 Years**

The ornamental design for a duct canister for carrying and storing sections of a flexible duct used with portable ventilators as shown and described.

[21] Appl. No.: **539,676**

**DESCRIPTION**

[22] Filed: **Jun. 18, 1990**

FIG. 1 is a front and right side perspective view of a duct canister for carrying and storing sections of a flexible duct used with portable ventilators, showing my new design;

[52] U.S. Cl. .... **D23/393; D3/30.1**

[58] Field of Search ..... **D3/30.1, 99; D29/1; D23/393; 454/338, 180, 182; 98/55**

FIG. 2 is a left side elevational view thereof;

FIG. 3 is a front elevational view thereof;

FIG. 4 is a rear elevational view thereof;

FIG. 5 is a top plan view thereof; and,

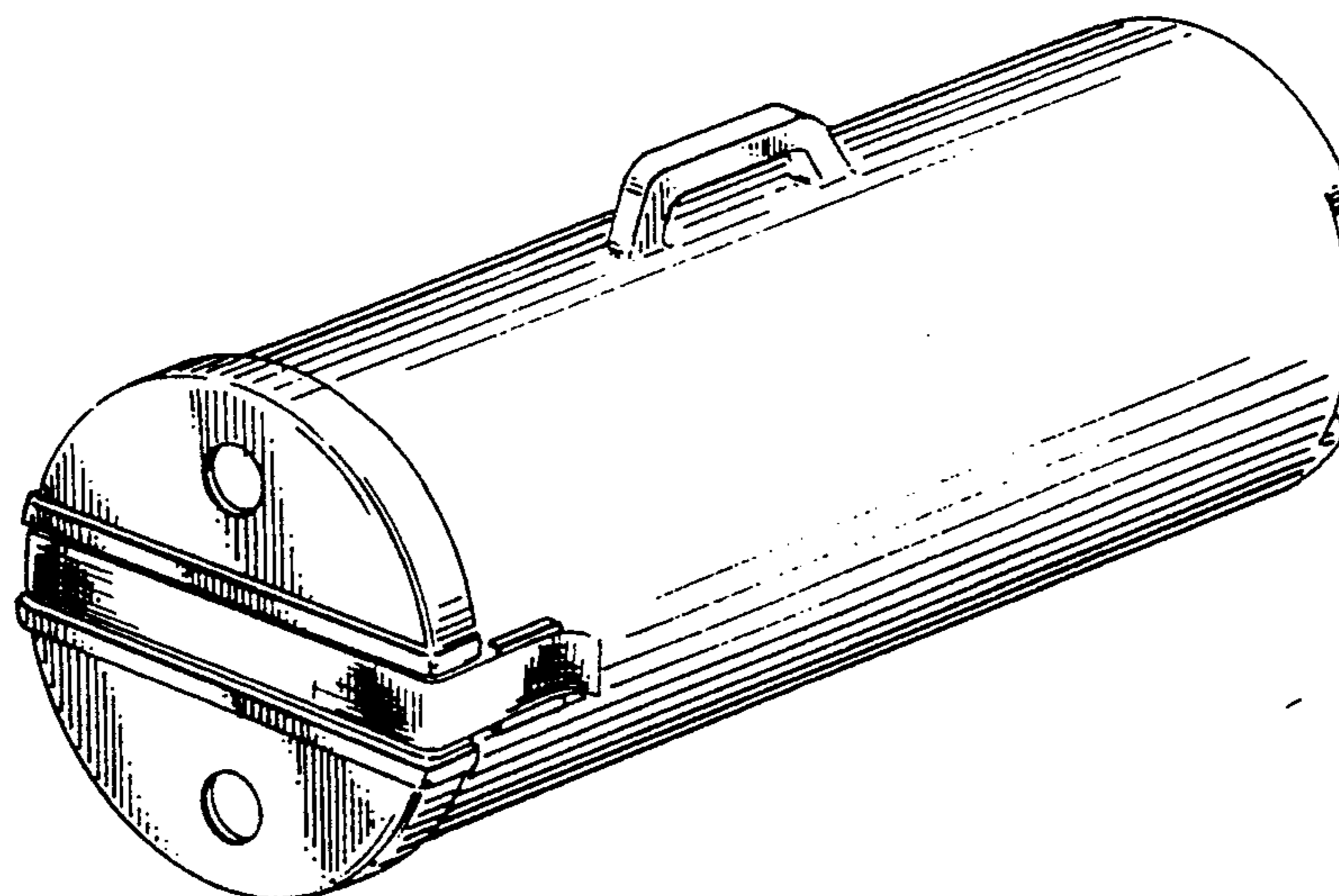
FIG. 6 is a bottom plan view thereof.

[56] **References Cited**

**U.S. PATENT DOCUMENTS**

D. 135,677	5/1943	Hastert	.....	D29/1
D. 247,196	2/1978	Mikosz	.....	D3/30.1
D. 283,758	5/1986	Stewart et al.	.....	D3/30.1
3,263,806	8/1966	Ring	.....	D3/30.1

The fragmentary criss-cross pattern shown on the front strip in FIGS. 1, 2, and 3, is shown partially for ease of illustration, and is understood to extend throughout the strip.



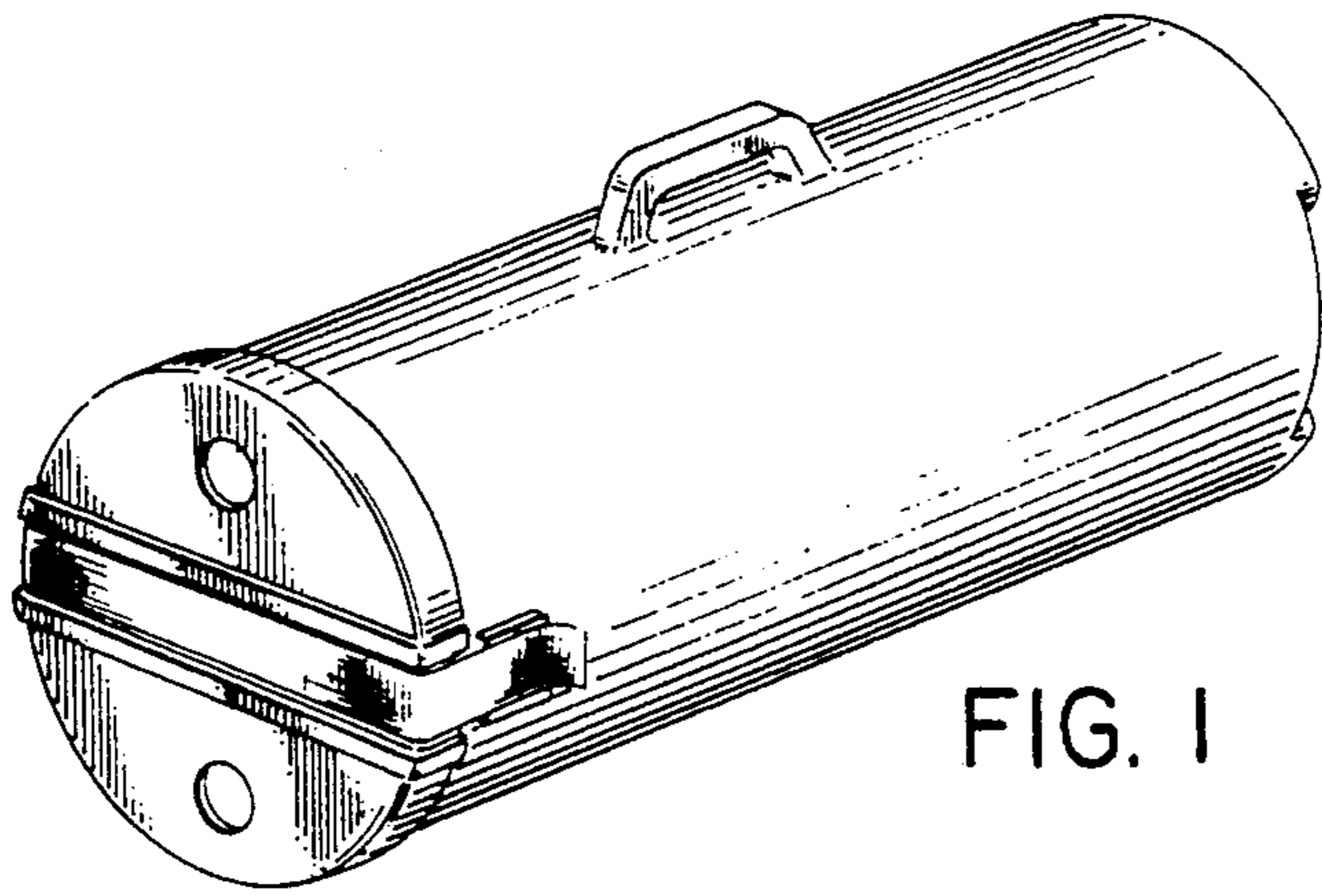


FIG. 1

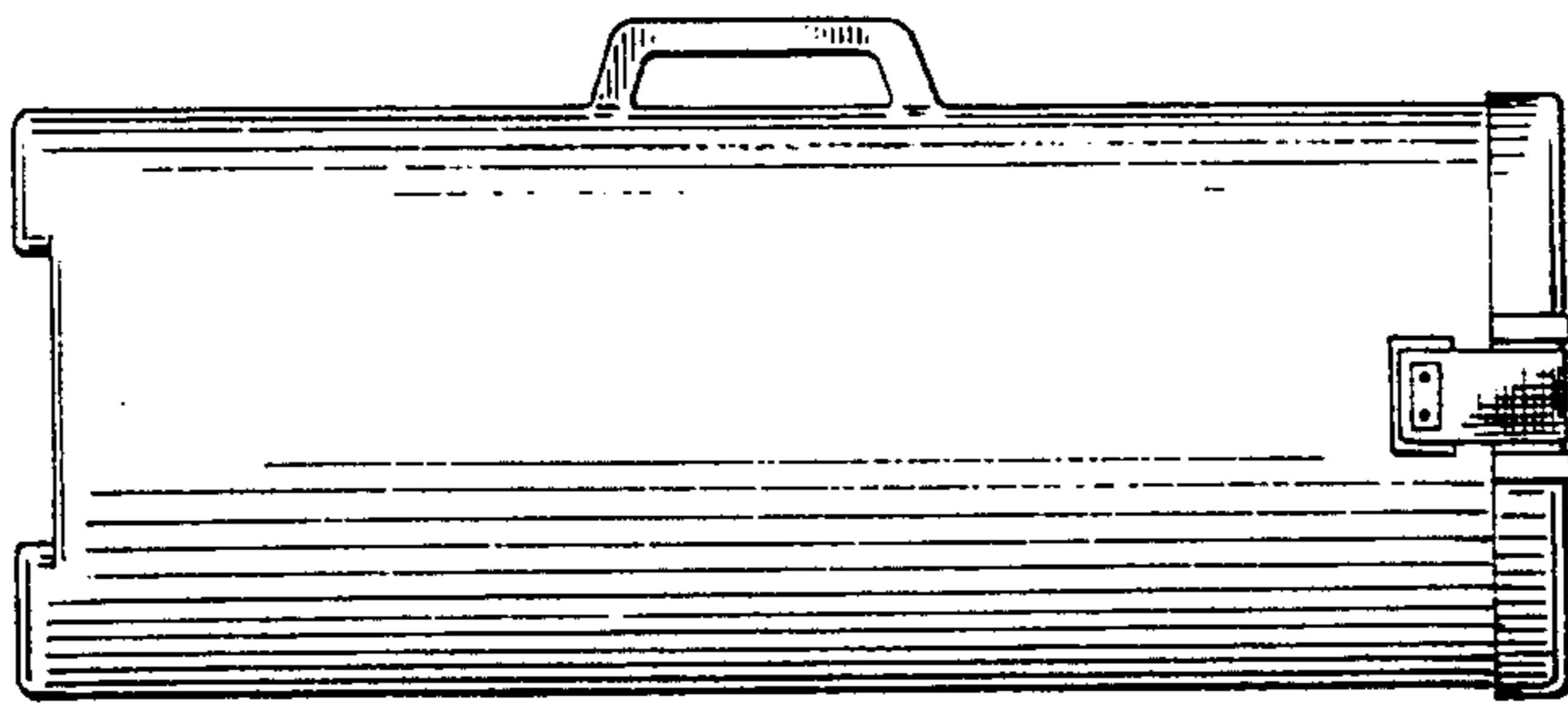


FIG. 2

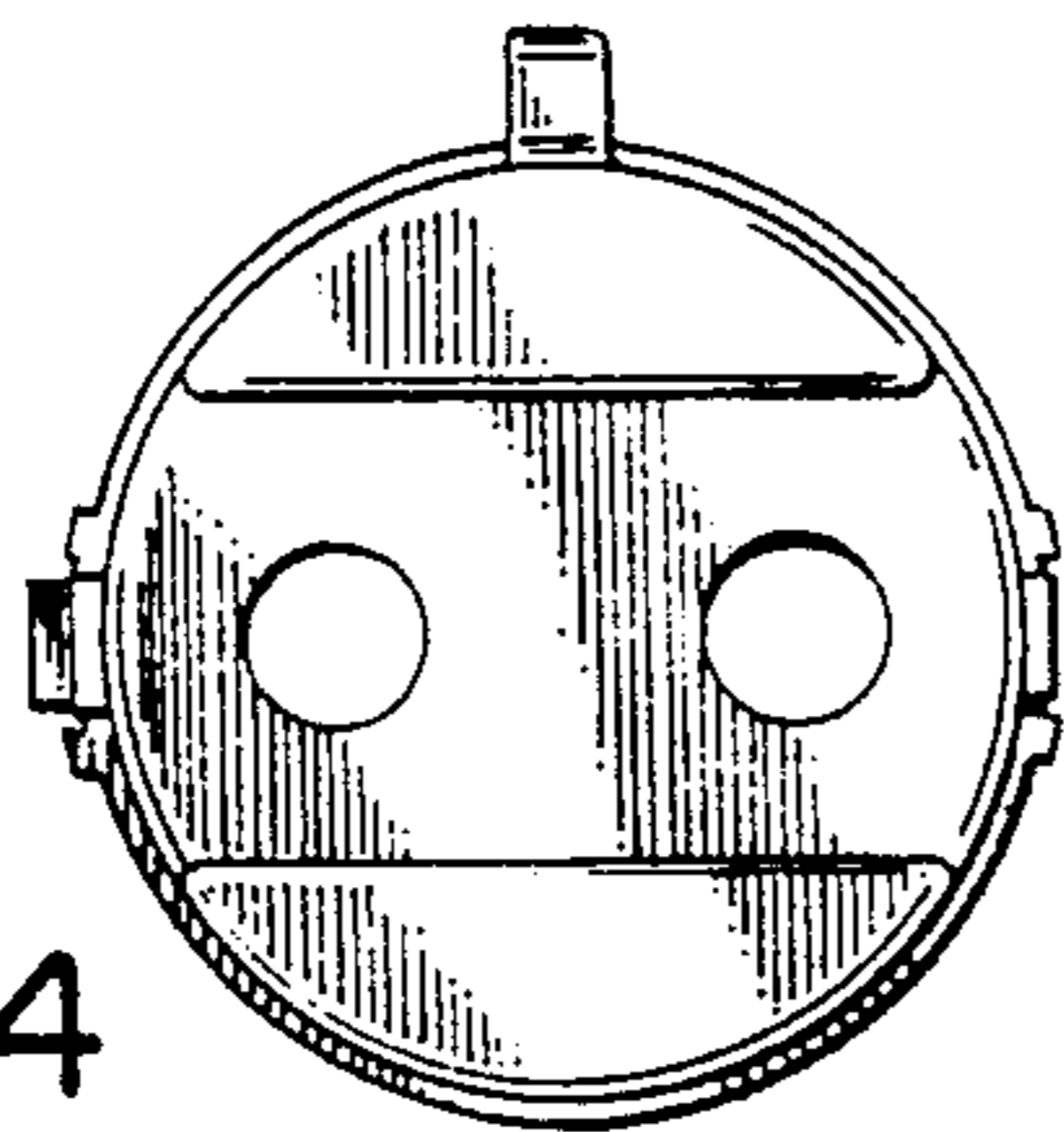


FIG. 4

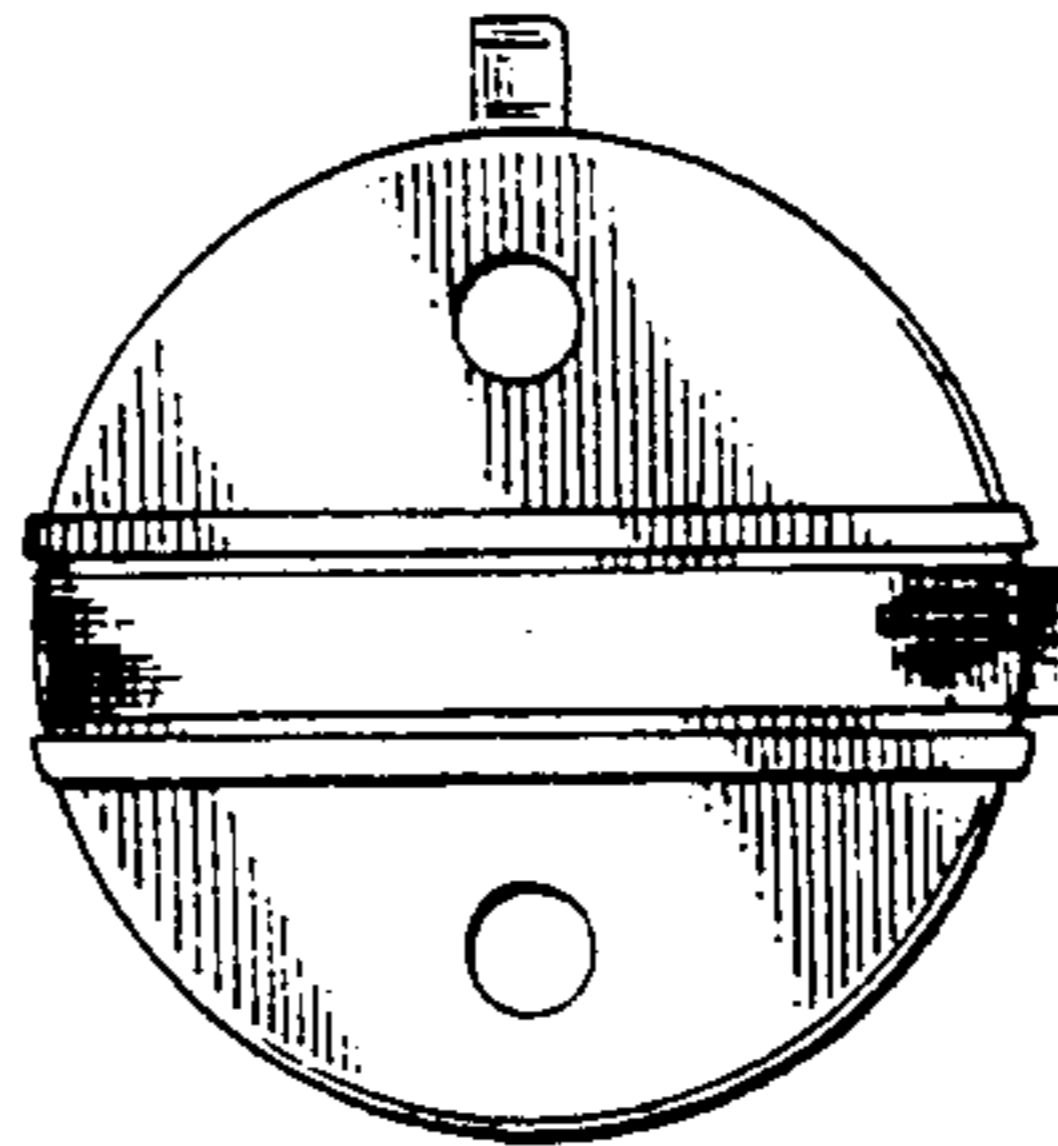


FIG. 3

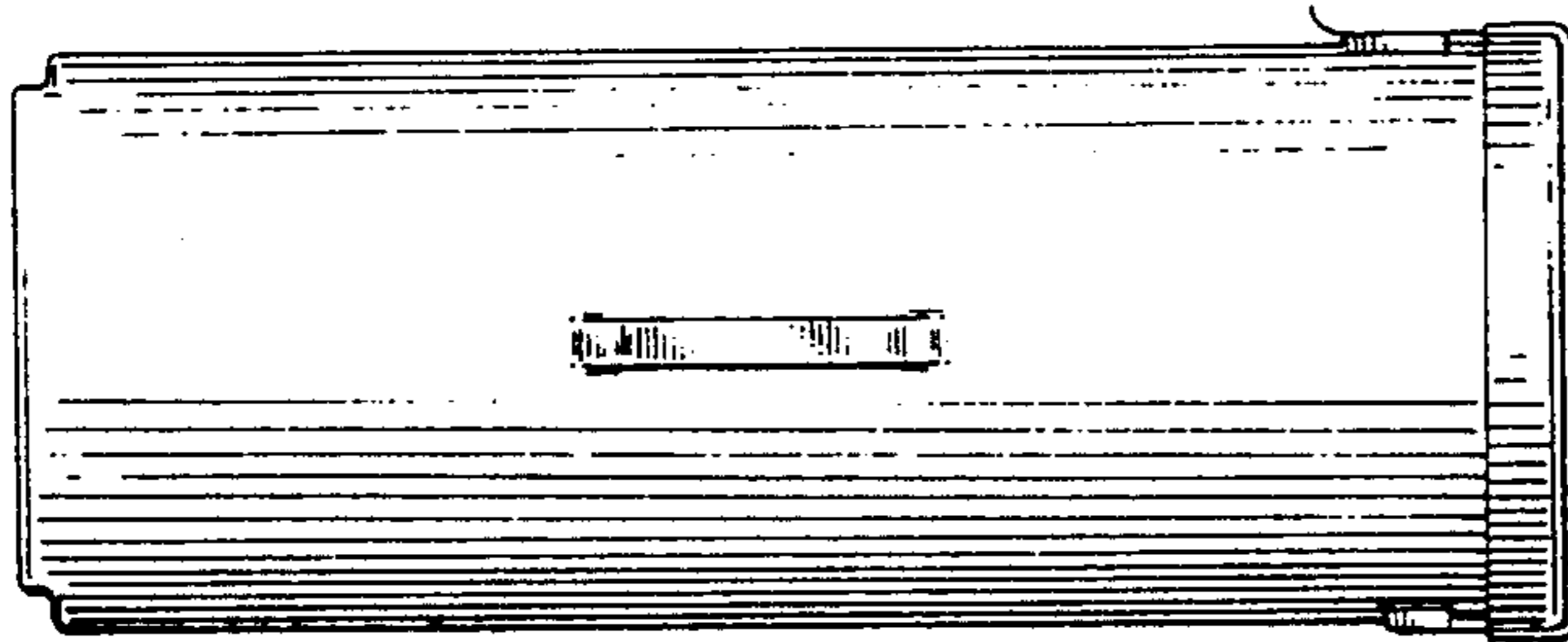


FIG. 5

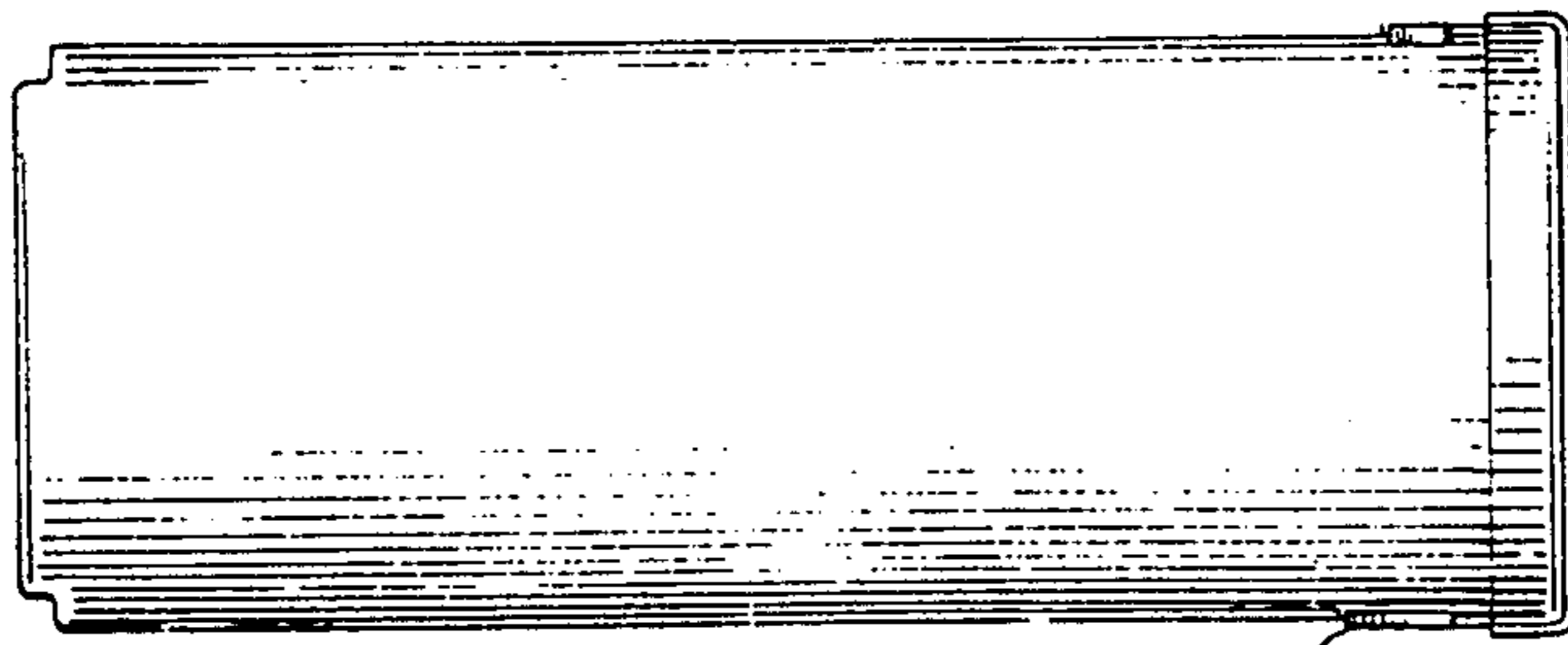


FIG. 6