



US00D329894S

United States Patent [19] Scofield

[11] Patent Number: **Des. 329,894**

[45] Date of Patent: **** Sep. 29, 1992**

[54] **COMBINED CEILING FAN AND LIGHT**

[75] Inventor: **Robert L. Scofield, Cordova, Tenn.**

[73] Assignee: **Hunter Fan Company, Memphis, Tenn.**

[**] Term: **14 Years**

[21] Appl. No.: **655,891**

[22] Filed: **Feb. 14, 1991**

[52] U.S. Cl. **D23/377; D26/85; D26/59**

[58] Field of Search **D23/377-379, D23/385; 392/364; 416/5; D26/72, 59, 51, 81-86, 88**

[56] **References Cited**

U.S. PATENT DOCUMENTS

D. 56,869	1/1921	Goldberg	D26/88
D. 90,063	6/1933	Dasher	D23/377
D. 97,996	12/1935	Glatthar et al.	D26/86
D. 110,505	7/1938	Stewart	D26/86
D. 163,483	5/1951	Reichelderfer et al.	D23/385
D. 270,942	10/1983	McCain	416/5
D. 290,873	7/1987	Chen	D23/377
D. 295,555	5/1988	Greenberg	D23/385
D. 298,454	11/1988	Clyde-Mason	D23/385
D. 312,688	12/1990	Mason	D23/377
D. 312,868	12/1990	Rezek	D23/377
D. 314,046	1/1991	Yen	D23/377
D. 315,205	3/1991	Cook	D23/377
D. 315,947	4/1991	Hollbrook	D23/377
D. 319,319	8/1991	Von Kluck	D26/85
1,744,270	1/1930	Kellogg	362/96
2,697,163	12/1954	Spear	392/364
4,621,977	11/1986	Markwardt	416/5
4,719,446	1/1988	Hart	340/310 A

OTHER PUBLICATIONS

Home Lighting and Accessories Cat, Dec. 1985, p. 47, Contemporary Superfan, top of page.

Design House Brochure, p. 166, Tradewind Ceiling Fan, top of page.

Casablanca Ad Flyer, p. 2, ceiling fans, Models 220N16T, 220211T, 220216T.

Murray Feiss Import Corp. Brochure, p. CF13, Ceiling Fan Model CF37, bottom of page.

Primary Examiner—Wallace R. Burke

Assistant Examiner—Lisa Lichtenstein

Attorney, Agent, or Firm—Heiskell, Donelson, Bearman, Adams, Williams & Kirsch

[57] **CLAIM**

The ornamental design for a combined ceiling fan and light, as shown and described.

DESCRIPTION

FIG. 1 is a bottom and side perspective view of a combined ceiling fan and light showing my new design;

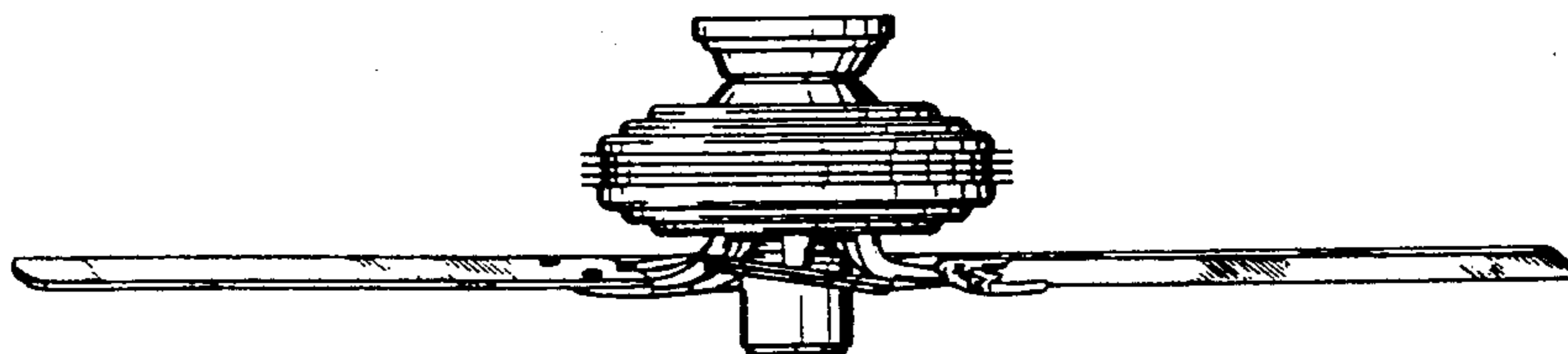
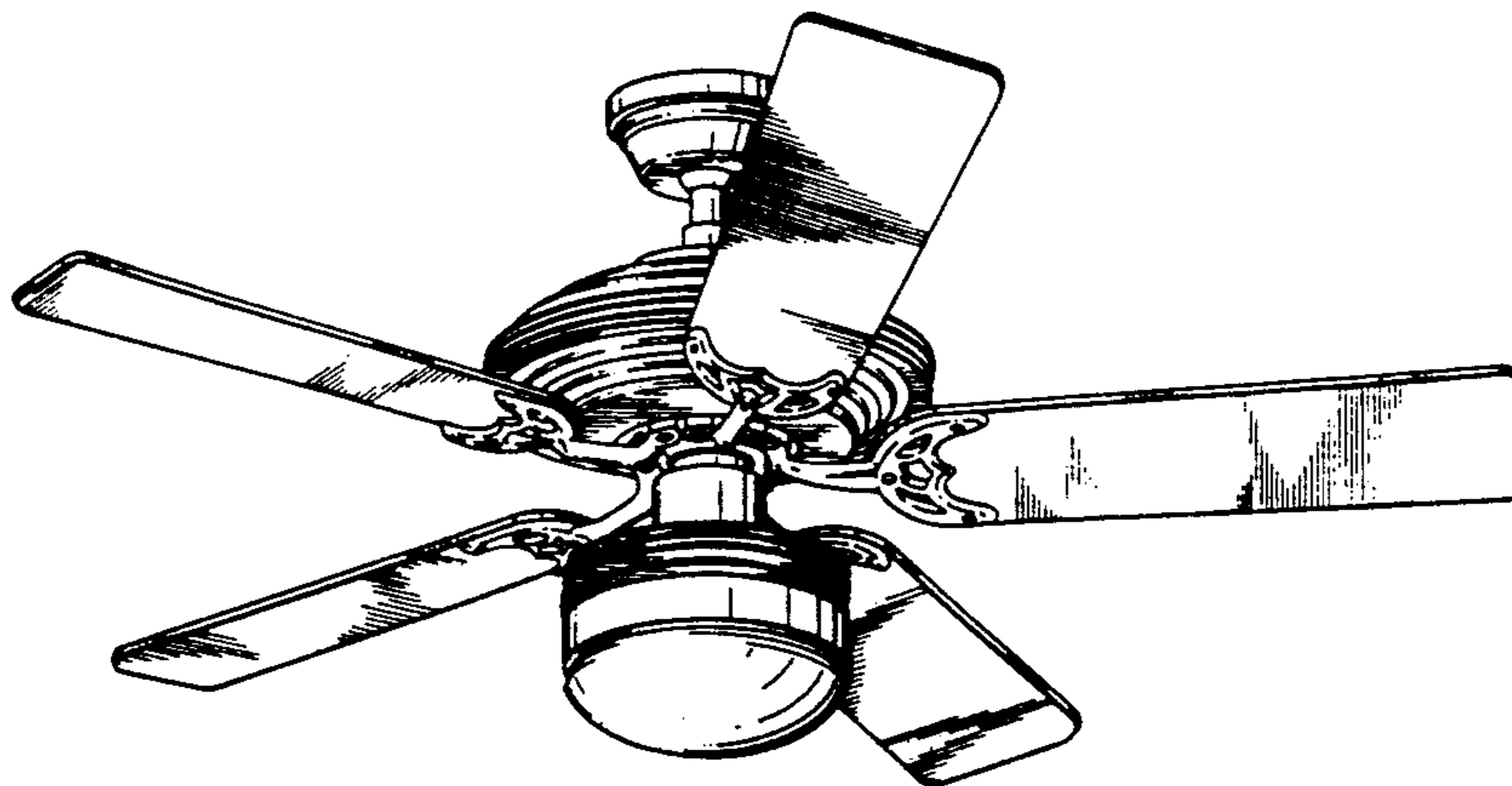
FIG. 2 is a side elevation view thereof, the opposite side being a mirror image of that shown;

FIG. 3 is a bottom plan view thereof;

FIG. 4 is a top plan view thereof;

FIG. 5 is a bottom and side perspective view of a combined ceiling fan and light showing a second embodiment of my new design, which is identical to the first embodiment with the light kit removed; and,

FIG. 6 is a side elevation view of a combined ceiling fan and light showing a third embodiment of my new design, which is identical to the second embodiment, without the extension rod between the motor housing and the ceiling mounting fixture.



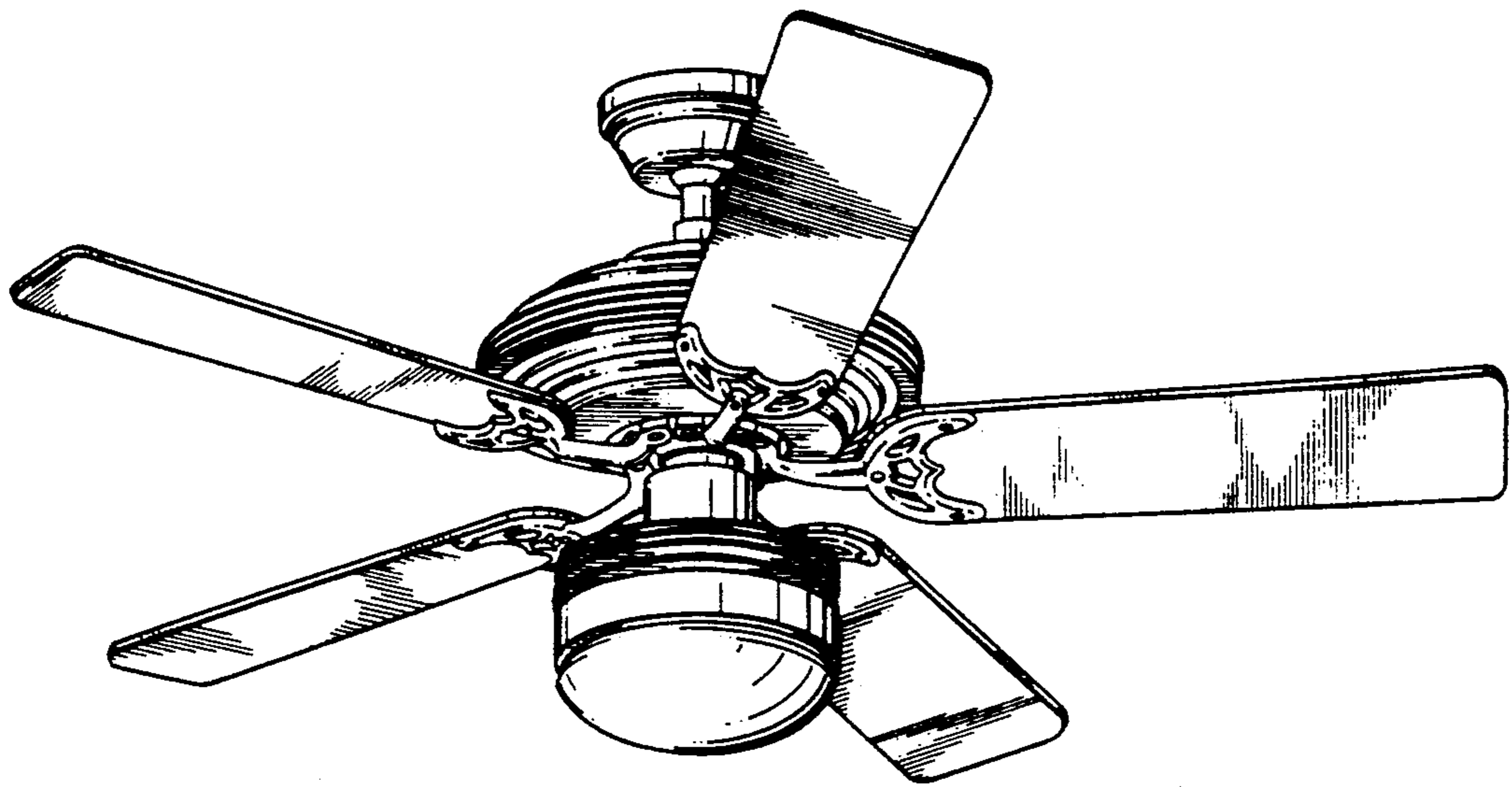


Fig. 1

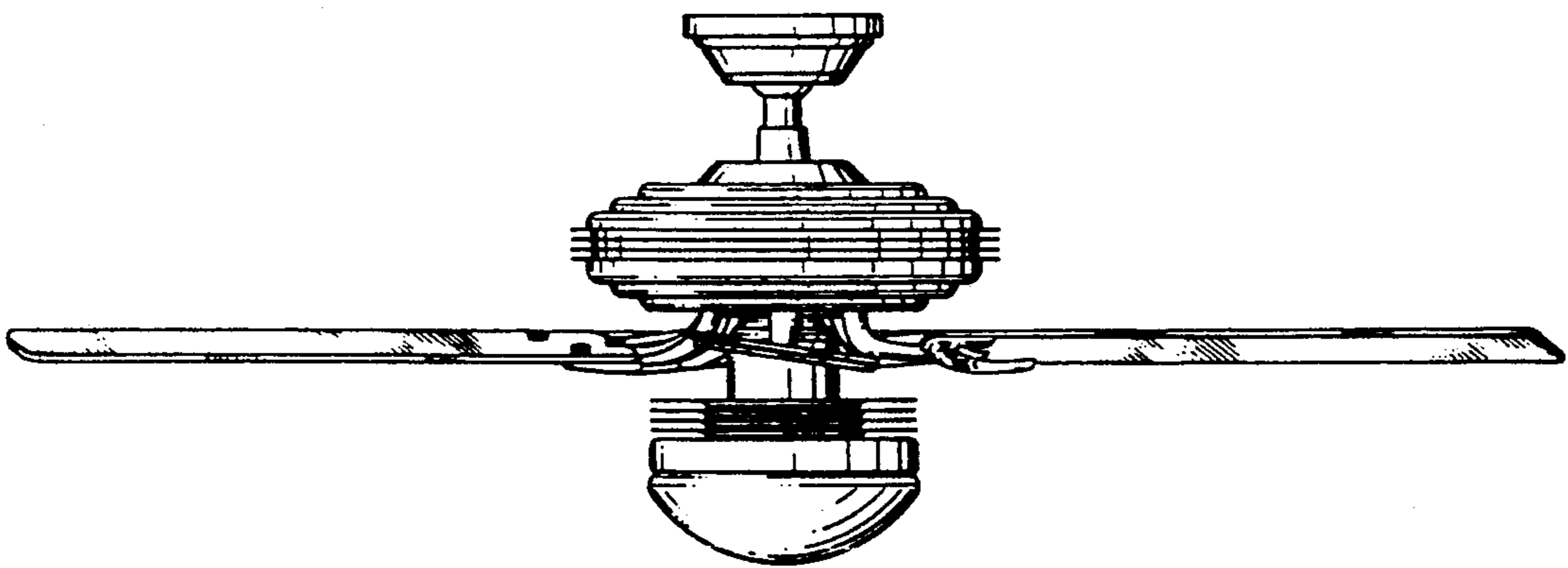


Fig. 2

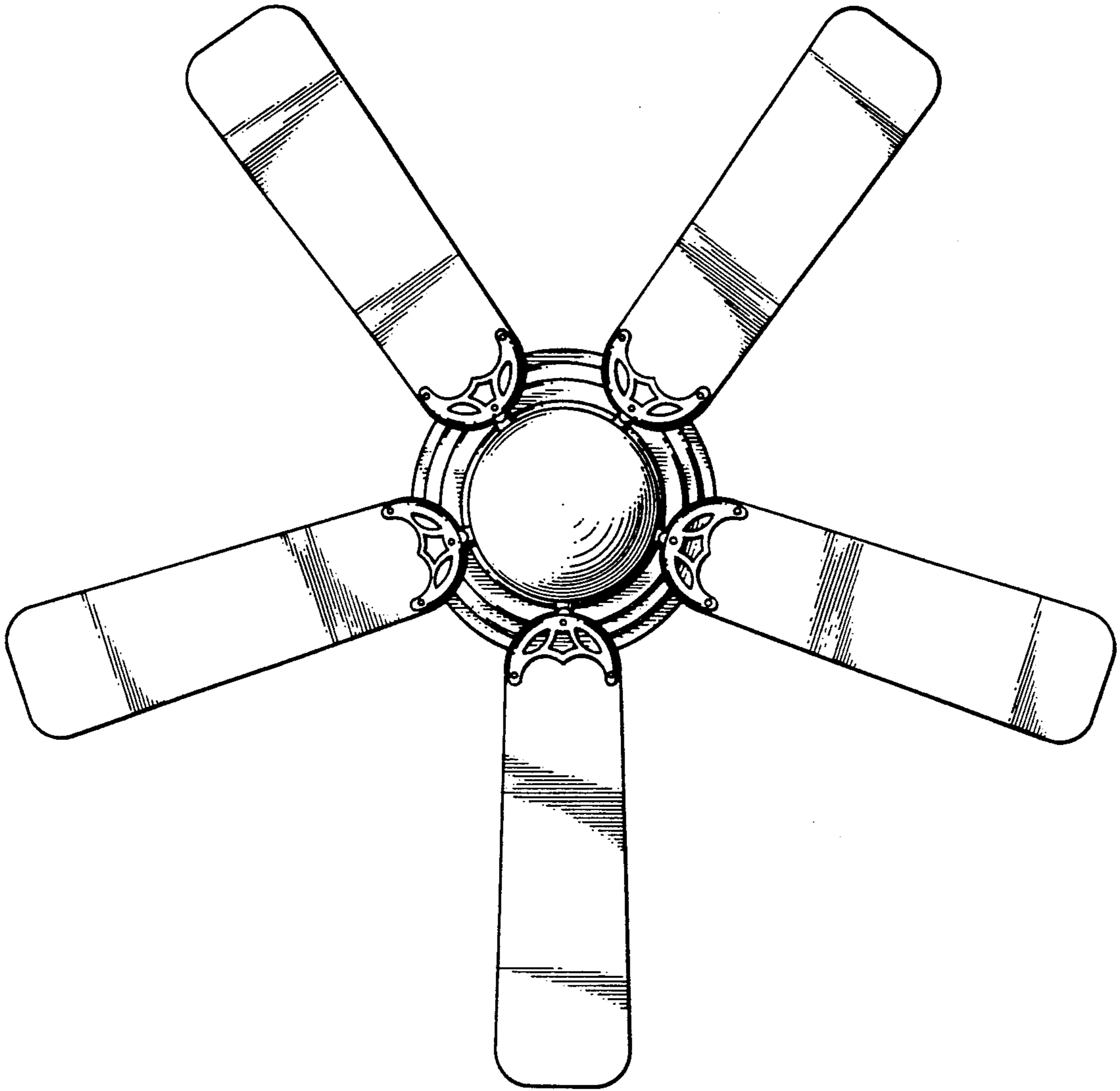


Fig. 3

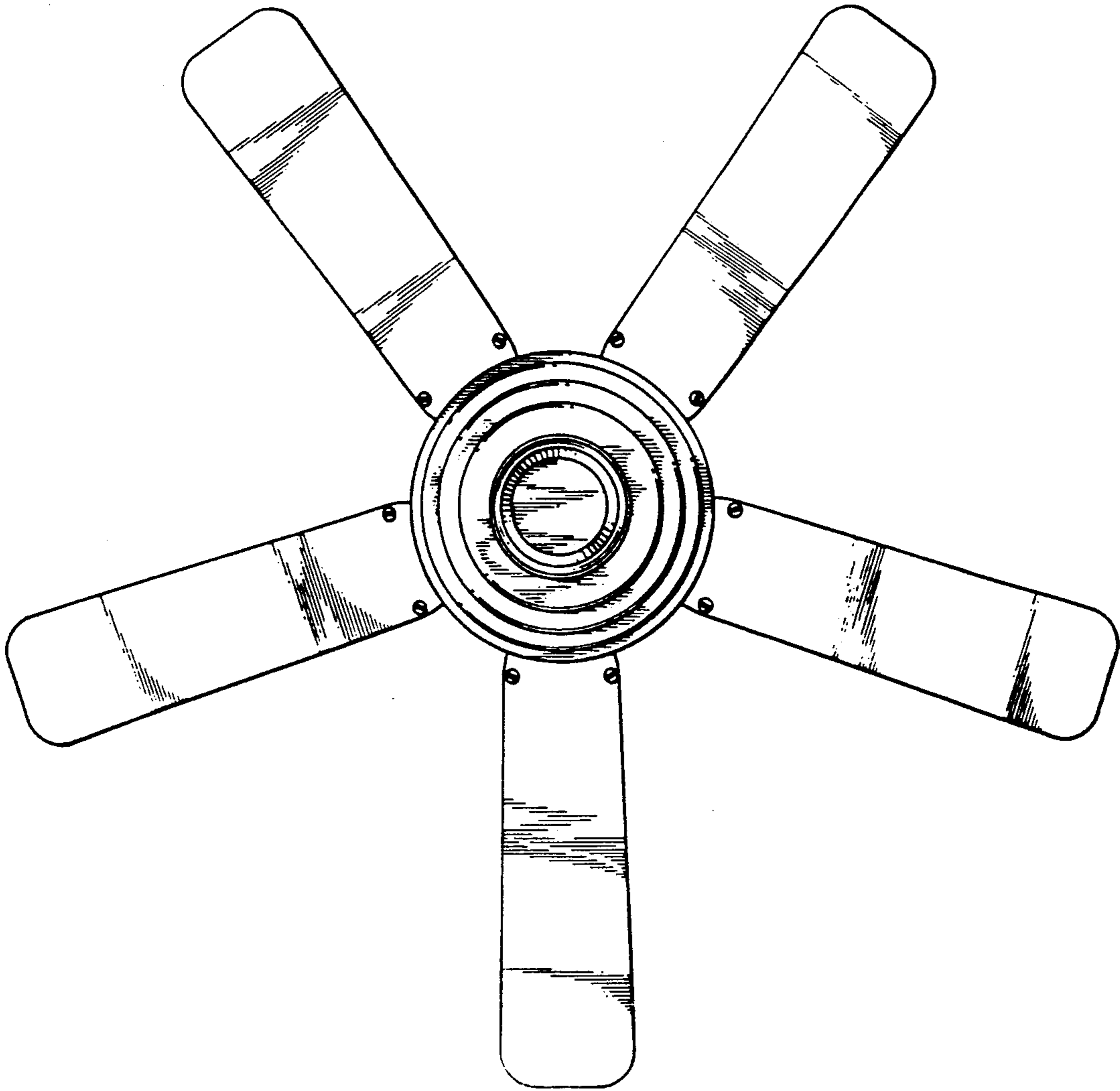


Fig. 4

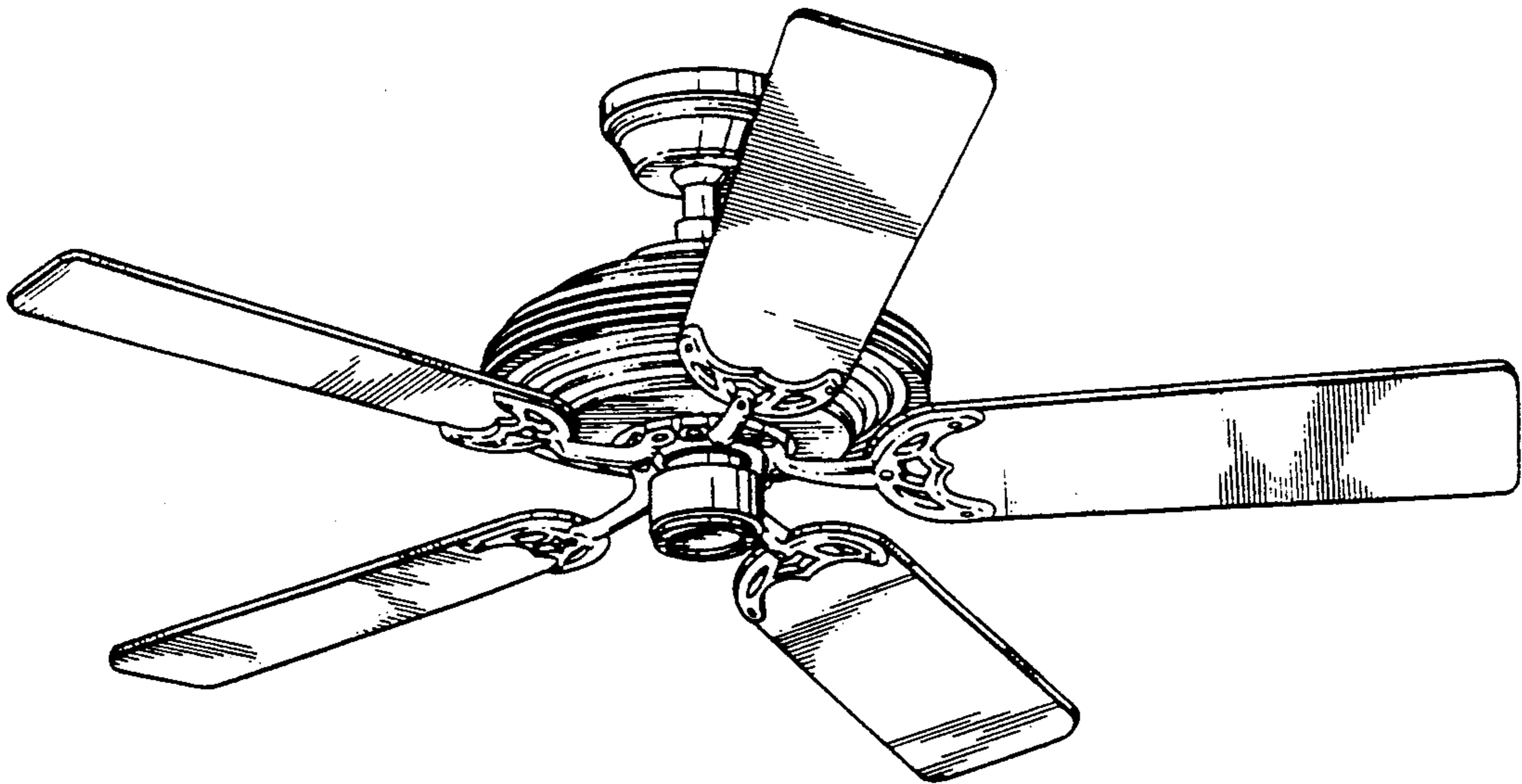


Fig. 5

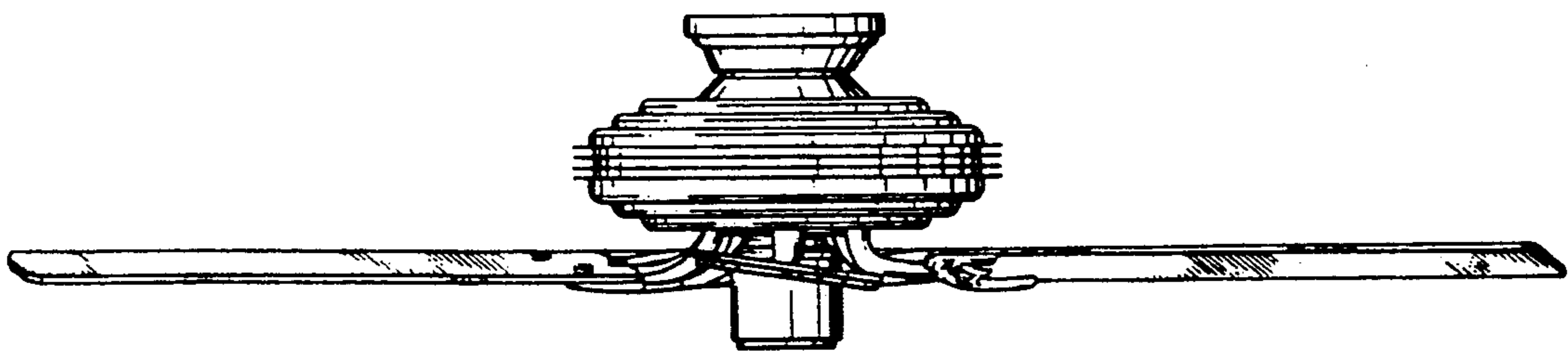


Fig. 6