



US00D329892S

United States Patent [19]

[11] Patent Number: Des. 329,892

Brister

[45] Date of Patent: ** Sep. 29, 1992

[54] LIQUID DISPENSER FOR ADDING SKIN TONER TO SHOWER WATER

4,607,793 8/1986 Eberle .
4,623,095 11/1986 Pronk .
4,956,883 9/1990 Lane 239/310 X

[76] Inventor: Richard C. Brister, 3516 W. 43rd, Anchorage, Ak. 99517

OTHER PUBLICATIONS

Sweet's Catalog file item American Dispenser Co. soap dispensers, p. 13, vol. 10, 1981.

[**] Term: 14 Years

Primary Examiner—Susan J. Lucas
Assistant Examiner—M. H. Tung
Attorney, Agent, or Firm—Terry M. Gernstein

[21] Appl. No.: 506,891

[22] Filed: Apr. 10, 1990

[52] U.S. Cl. D23/228

[58] Field of Search D23/213, 223-229;
239/310, 443-449, 456-460, 525, 562-565;
4/191-192, 567-570, 599-603, 596, 615, 628;
D6/542-545

[57] CLAIM

The ornamental design for a liquid dispenser for adding skin toner to shower water, as shown and described.

DESCRIPTION

[56] References Cited

U.S. PATENT DOCUMENTS

D. 271,165	11/1983	Lander	D6/545
D. 298,292	11/1988	Townes .	
D. 314,038	1/1991	Hardy	D23/228
3,052,417	9/1962	Daniel	239/444 X
3,141,578	7/1964	Quinn	D6/545 X
3,174,691	3/1965	Haviland	239/310 X

FIG. 1 is a top perspective view of a liquid dispenser for adding skin toner to shower water showing my new design;

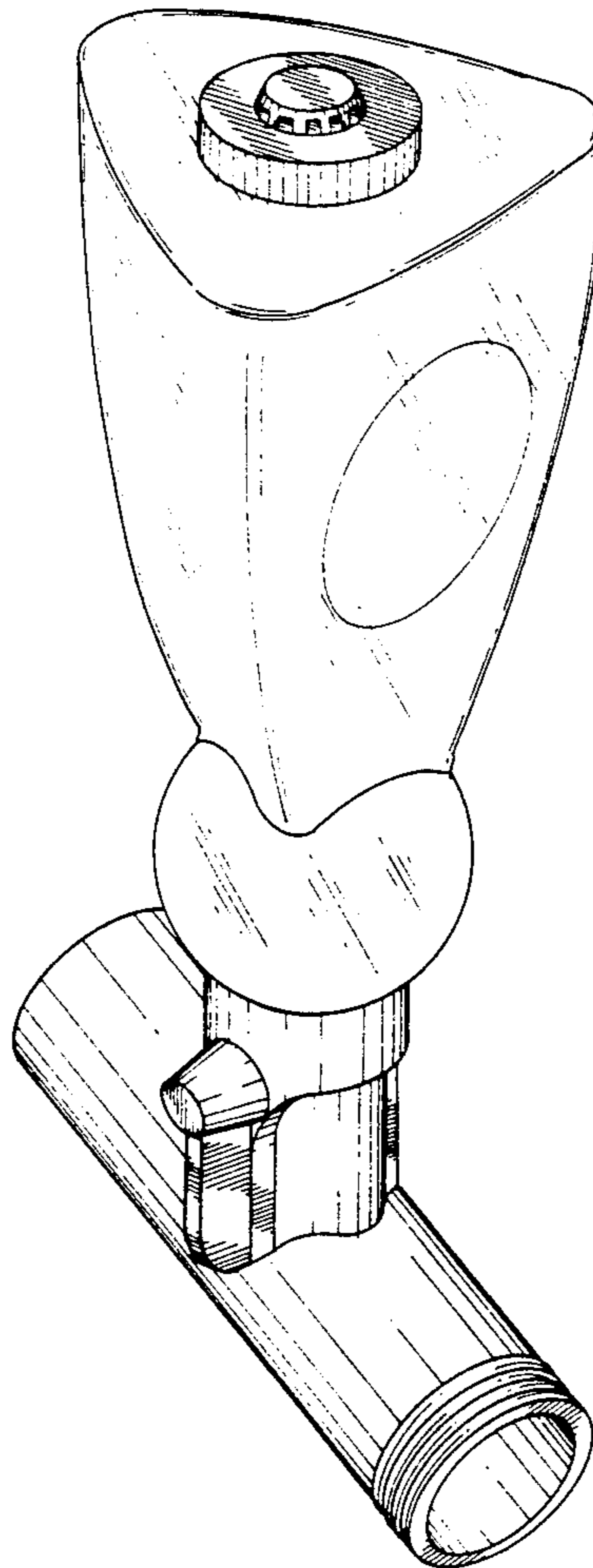
FIG. 2 is a front elevational view thereof;

FIG. 3 is a top plan view thereof;

FIG. 4 is a left side elevational view thereof;

FIG. 5 is a right side elevational view thereof; and,

FIG. 6 is a rear elevational view thereof.



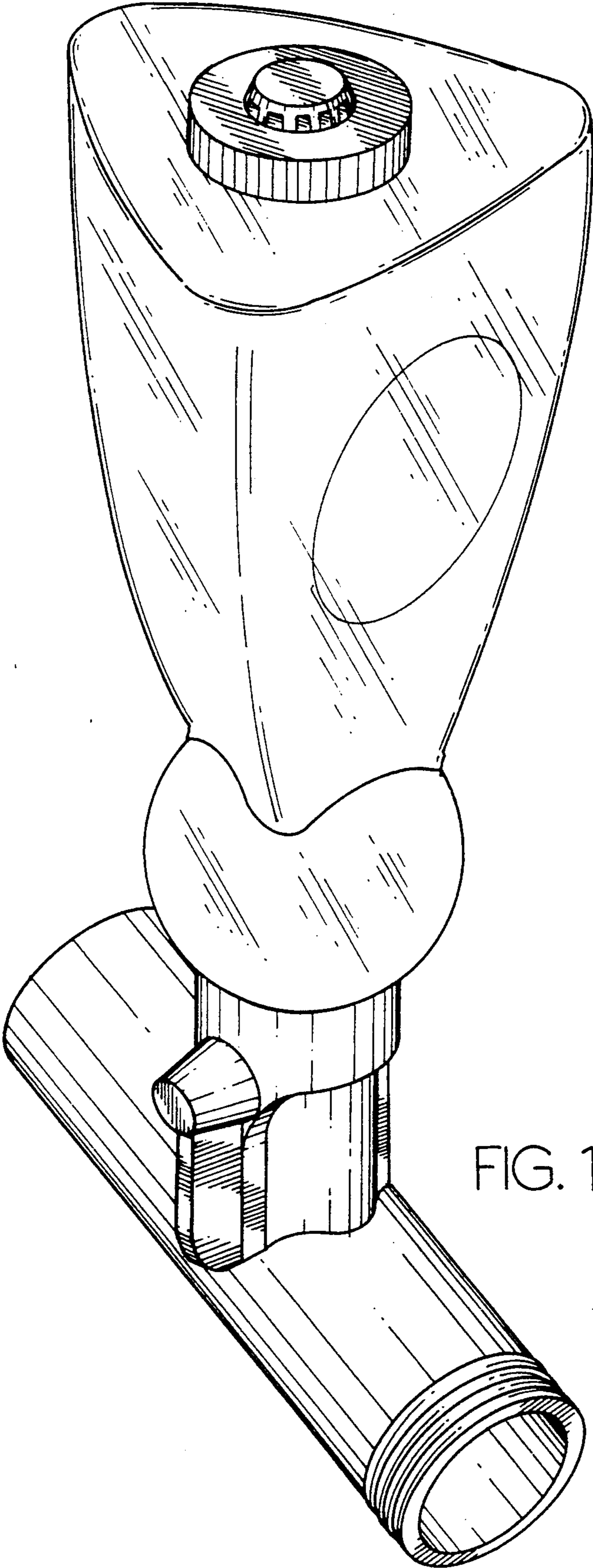


FIG. 1.

FIG. 2.

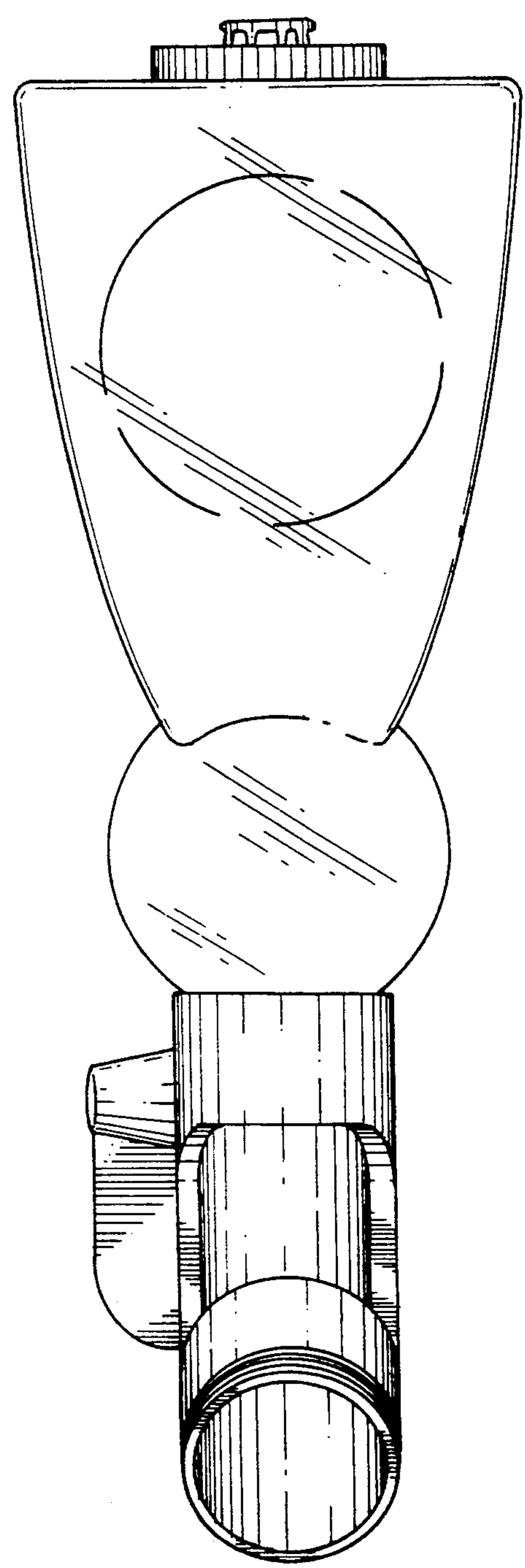
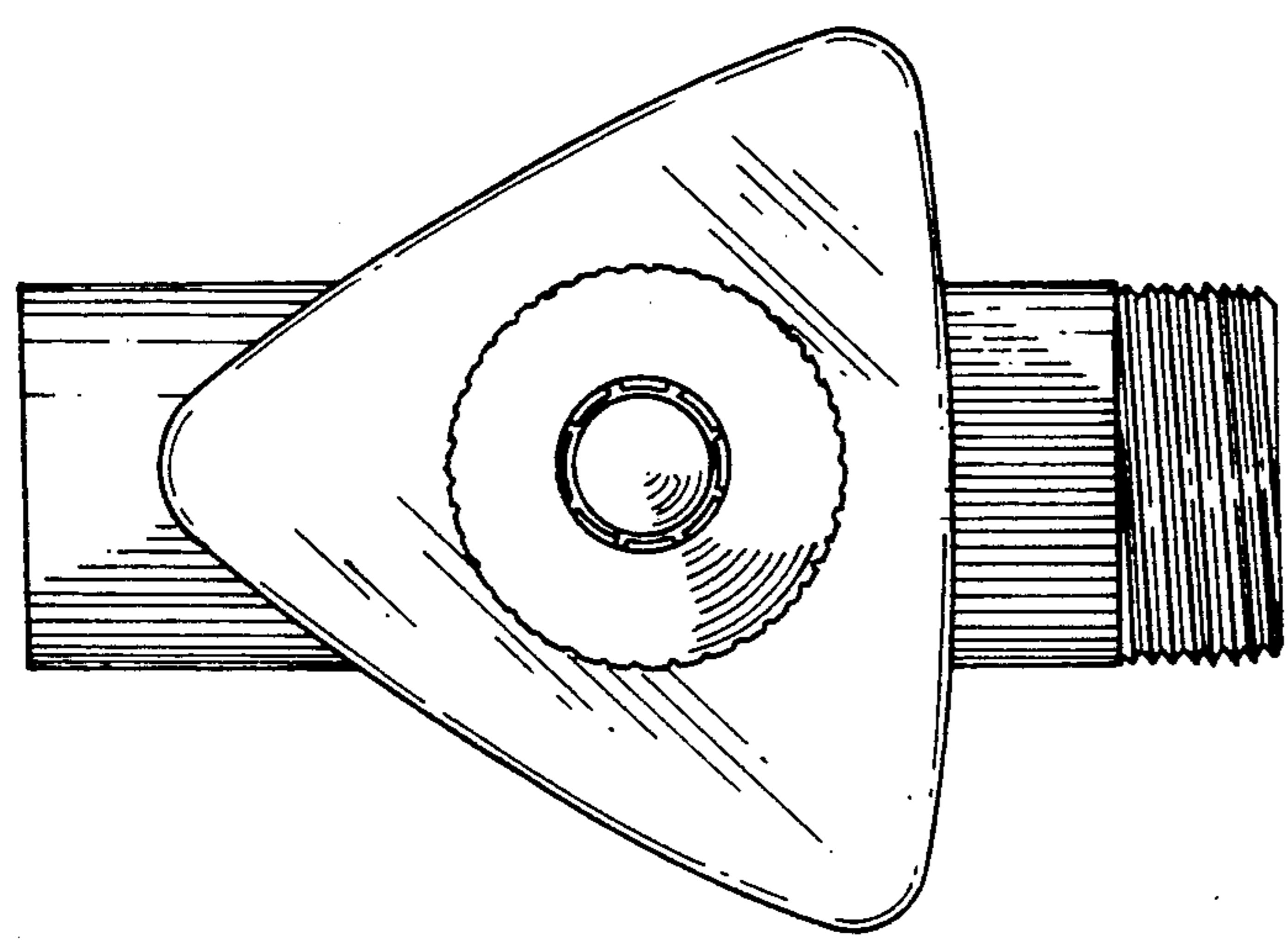


FIG. 3.



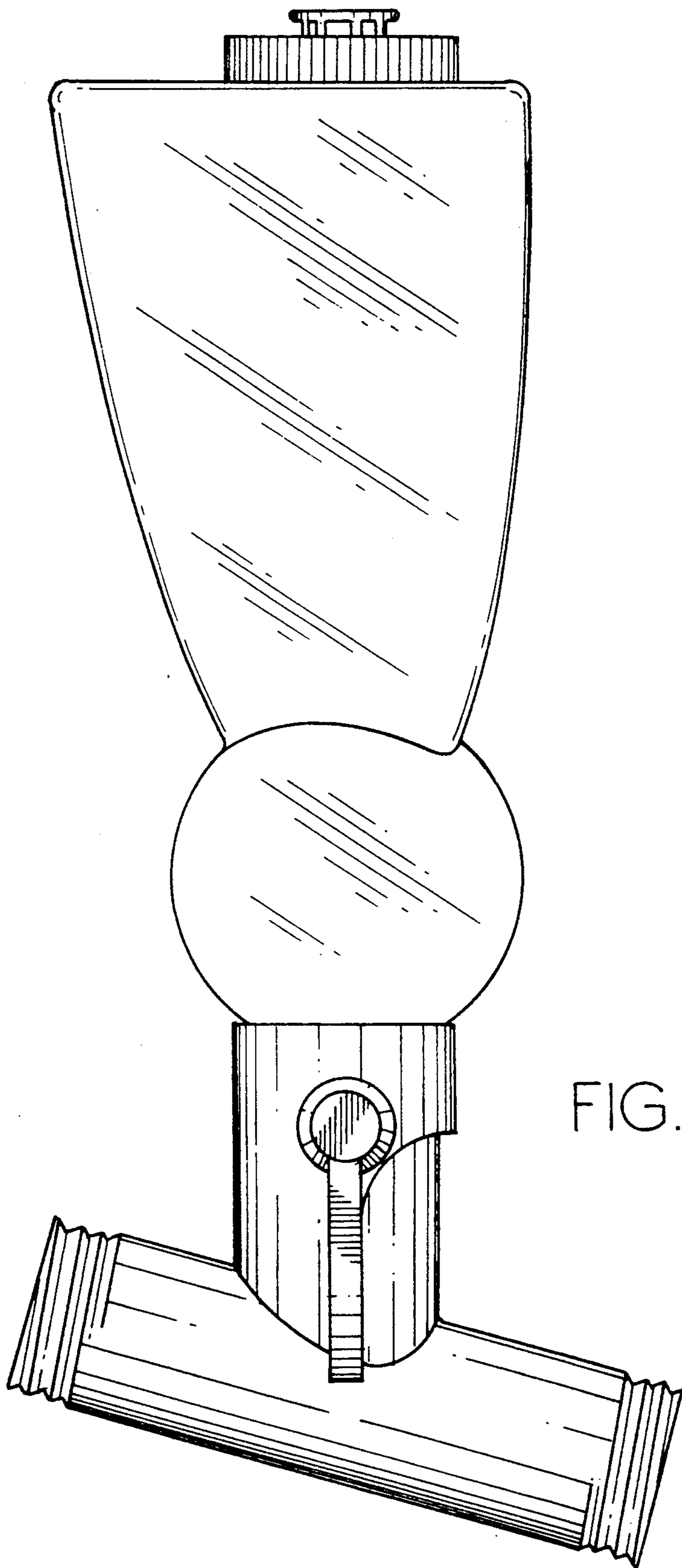


FIG. 4.

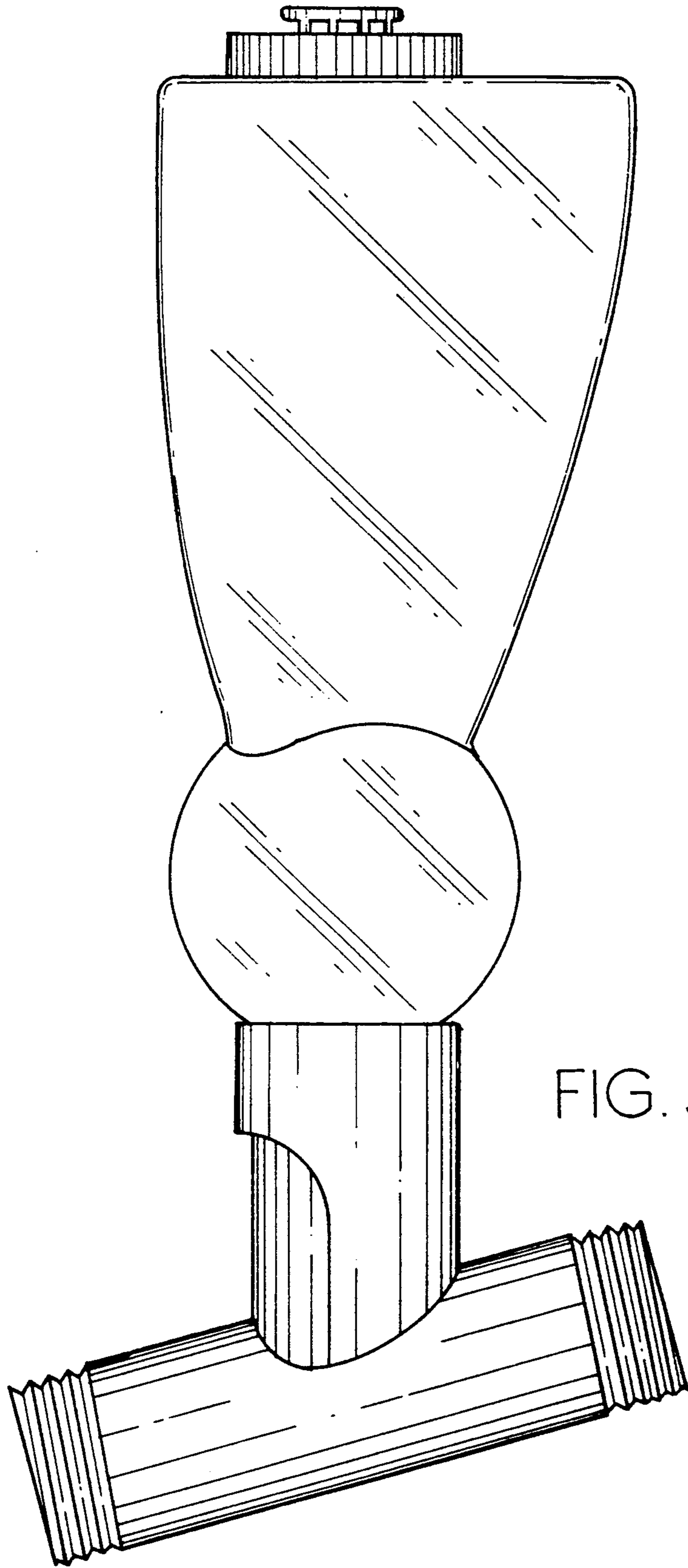


FIG. 5.

FIG. 6.

