



US00D329890S

United States Patent [19]

[11] Patent Number: Des. 329,890

Pinder

[45] Date of Patent: ** Sep. 29, 1992

[54] GOLF PUTTER

[75] Inventor: Bernard L. Pinder, Grand Haven, Mich.

[73] Assignee: Pinnich, Ltd., Grand Haven, Mich.

[**] Term: 14 Years

[21] Appl. No.: 617,070

[22] Filed: Nov. 21, 1990

Related U.S. Application Data

[63] Continuation-in-part of Ser. No. 511,582, Apr. 20, 1990, abandoned.

[52] U.S. Cl. D21/217

[58] Field of Search D21/214-220; 273/164, 167-175

[56] References Cited

U.S. PATENT DOCUMENTS

- D. 202,715 11/1965 Solheim .
- D. 207,227 3/1967 Solheim .
- D. 207,228 3/1967 Solheim .
- D. 262,985 2/1982 Sanna .
- D. 263,614 3/1982 Solheim .
- D. 270,852 10/1983 Mahaffey et al. .
- D. 275,981 10/1984 Duclos D21/219
- D. 283,039 3/1986 Solheim .
- D. 293,126 12/1987 Bizovi .
- D. 295,204 4/1988 Brayak D21/217
- D. 298,270 10/1988 Smith D21/218
- 1,531,821 3/1925 Scott .
- 3,625,517 12/1971 Durnack .
- 3,806,129 4/1974 Burrows .
- 3,966,210 6/1976 Rozmus .
- 4,027,885 6/1977 Rogers .
- 4,222,566 9/1980 Berry .
- 4,332,388 6/1982 Crow .
- 4,529,202 7/1985 Jacobson .
- 4,650,191 3/1987 Mills .
- 4,693,478 9/1987 Long .

Primary Examiner—Melvin B. Feifer
Attorney, Agent, or Firm—Price, Heneveld, Cooper, DeWitt & Litton

[57] CLAIM

The ornamental design for a golf putter, as shown and described.

DESCRIPTION

FIG. 1 is a top and rear perspective view of a golf putter head showing my new design;
 FIG. 2 is a rear side elevation of the golf putter of FIG. 1;
 FIG. 3 is a heel end elevation of the golf putter of FIG. 1;
 FIG. 4 is a front/face side elevation of the golf putter of FIG. 1;
 FIG. 5 is a toe end elevation of the golf putter of FIG. 1;
 FIG. 6 is a bottom/sole view of the golf putter of FIG. 1;
 FIG. 7 is a top view of the golf putter of FIG. 1;
 FIG. 8 is a top, toe and rear perspective view of a second embodiment thereof;
 FIG. 9 is a rear side elevation of the golf putter of FIG. 8;
 FIG. 10 is a toe end elevation of the golf putter of FIG. 8;
 FIG. 11 is a front/face side elevation of the golf putter of FIG. 8;
 FIG. 12 is a heel end elevation of the golf putter of FIG. 8;
 FIG. 13 is a bottom/sole view of the golf putter of FIG. 8;
 FIG. 14 is a top view of the golf putter of FIG. 8;
 FIG. 15 is a top, toe and rear perspective view of a third embodiment thereof;
 FIG. 16 is a rear side elevation of the golf putter of FIG. 15;
 FIG. 17 is a toe end elevation of the golf putter of FIG. 15;
 FIG. 18 is a front/face side elevation of the golf putter of FIG. 15;
 FIG. 19 is a heel end elevation of the golf putter of FIG. 15;
 FIG. 20 is a bottom/sole view of the golf putter of FIG. 15;
 FIG. 21 is a top view of the golf putter of FIG. 15;

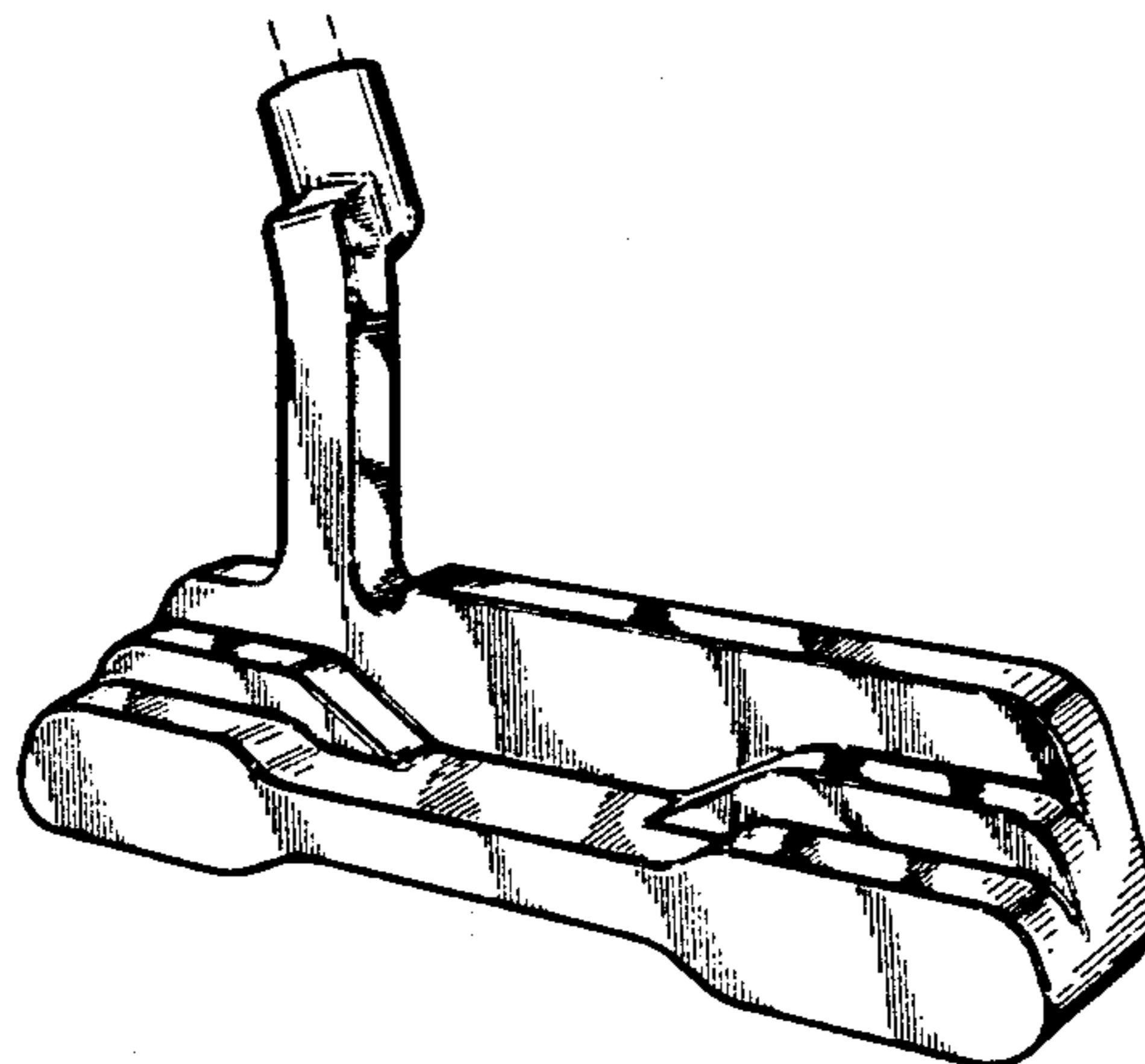


FIG. 22 is a top, toe and rear perspective view of a fourth embodiment thereof;

FIG. 23 is a rear side elevation of the golf putter of FIG. 22;

FIG. 24 is a heel end elevation of the golf putter of FIG. 22;

FIG. 25 is a front/face side elevation of the golf putter of FIG. 22;

FIG. 26 is a toe end elevation of the golf putter of FIG. 22;

FIG. 27 is a bottom/sole view of the golf putter of FIG. 22;

FIG. 28 is a top view of the golf putter of FIG. 22;

FIG. 29 is a top, toe and rear perspective view of a fifth embodiment thereof;

FIG. 30 is a rear side elevation of the golf putter of FIG. 29;

FIG. 31 is a toe end elevation of the golf putter of FIG. 29;

FIG. 32 is a front/face elevation of the golf putter of FIG. 29;

FIG. 33 is a heel end elevation of the golf putter of FIG. 29;

FIG. 34 is a bottom/sole view of the golf putter of FIG. 29;

FIG. 35 is a top view of the golf putter of FIG. 29;

FIG. 36 is a top, toe and rear perspective view of a sixth embodiment thereof;

FIG. 37 is a rear side elevation of the golf putter of FIG. 36;

FIG. 38 is a toe end elevation of the golf putter of FIG. 36;

FIG. 39 is a front/face side elevation of the golf putter of FIG. 36;

FIG. 40 is a heel end elevation of the golf putter of FIG. 36;

FIG. 41 is a bottom/sole view of the golf putter of FIG. 36; and,

FIG. 42 is a top view of the golf putter of FIG. 36.

The broken line showing of a golf club shaft portion is to show environment only and forms no part of the claimed design.

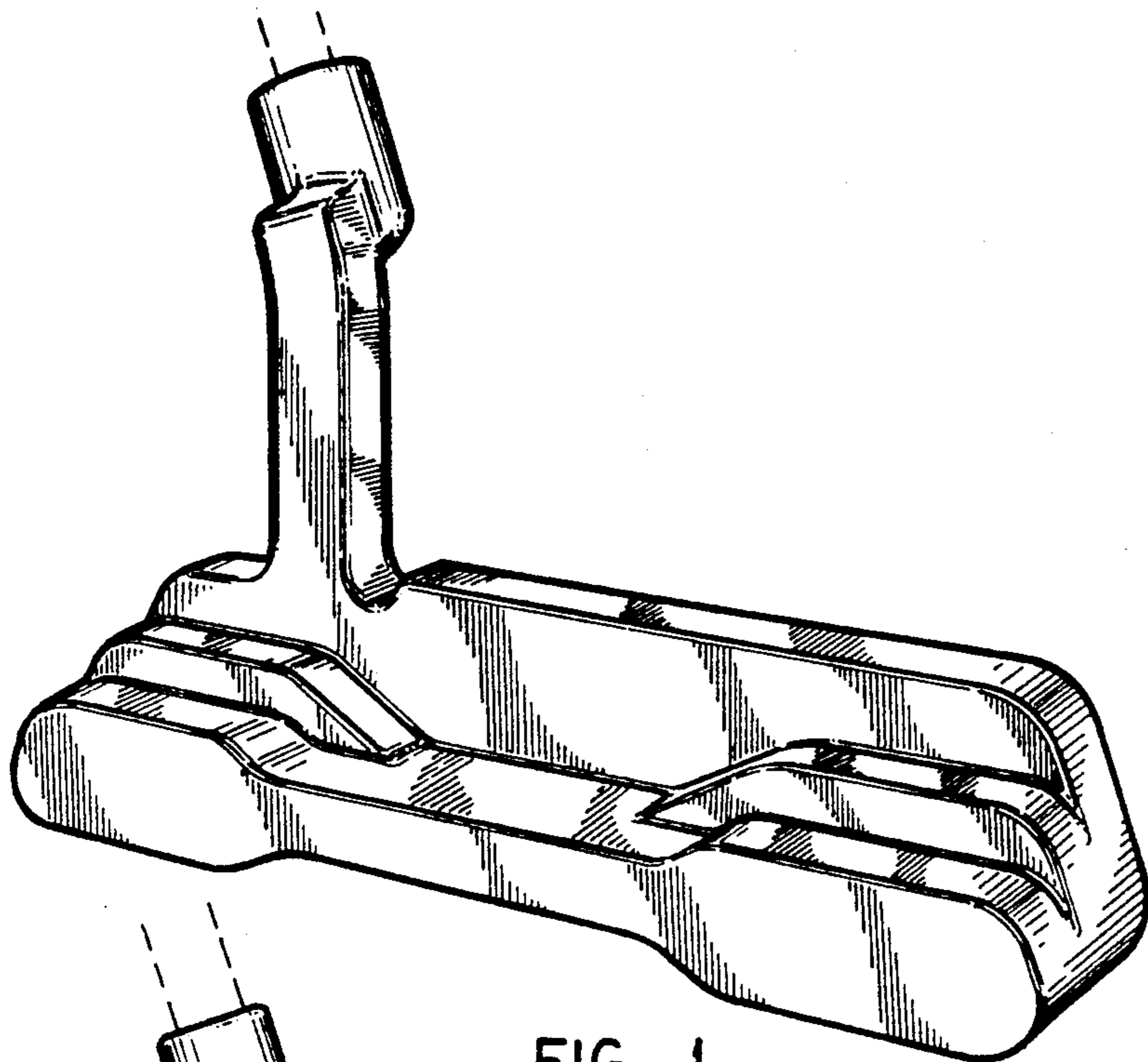


FIG. 1

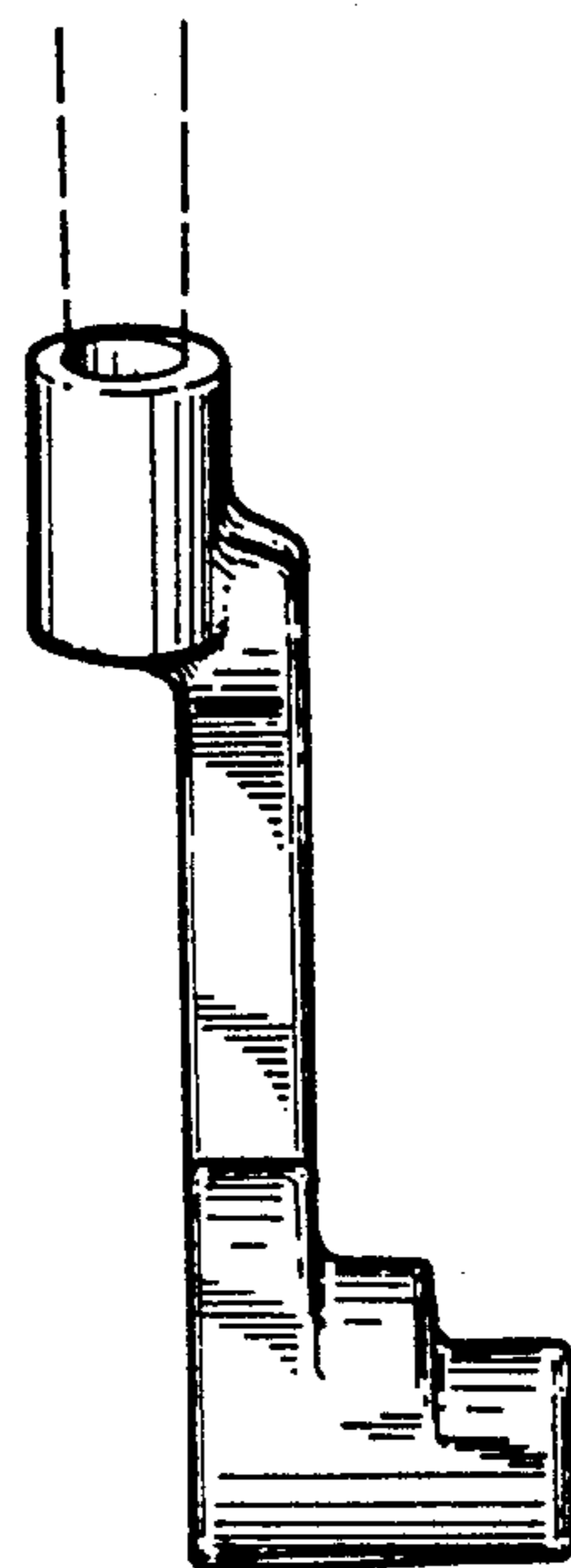


FIG. 3

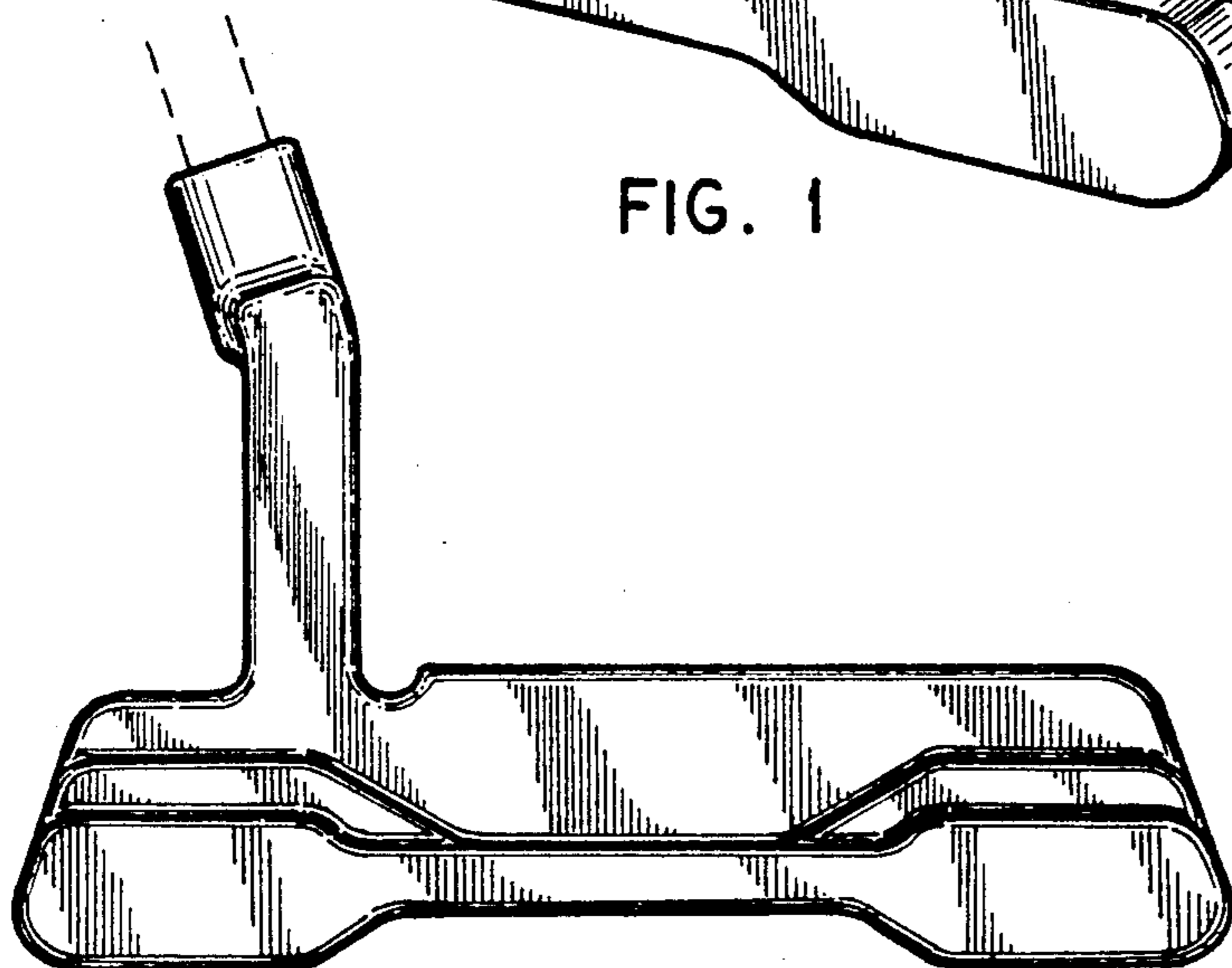


FIG. 2

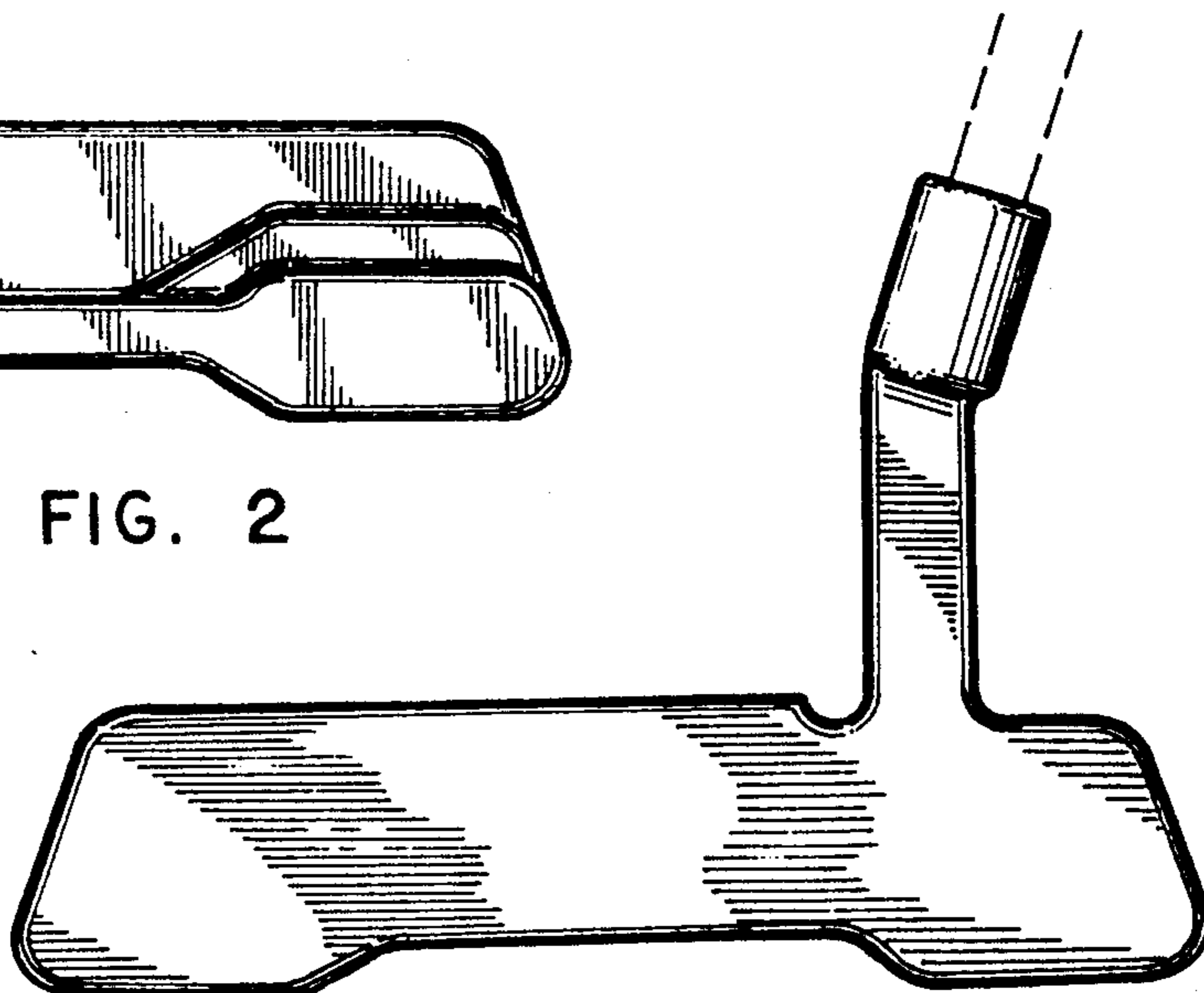


FIG. 4

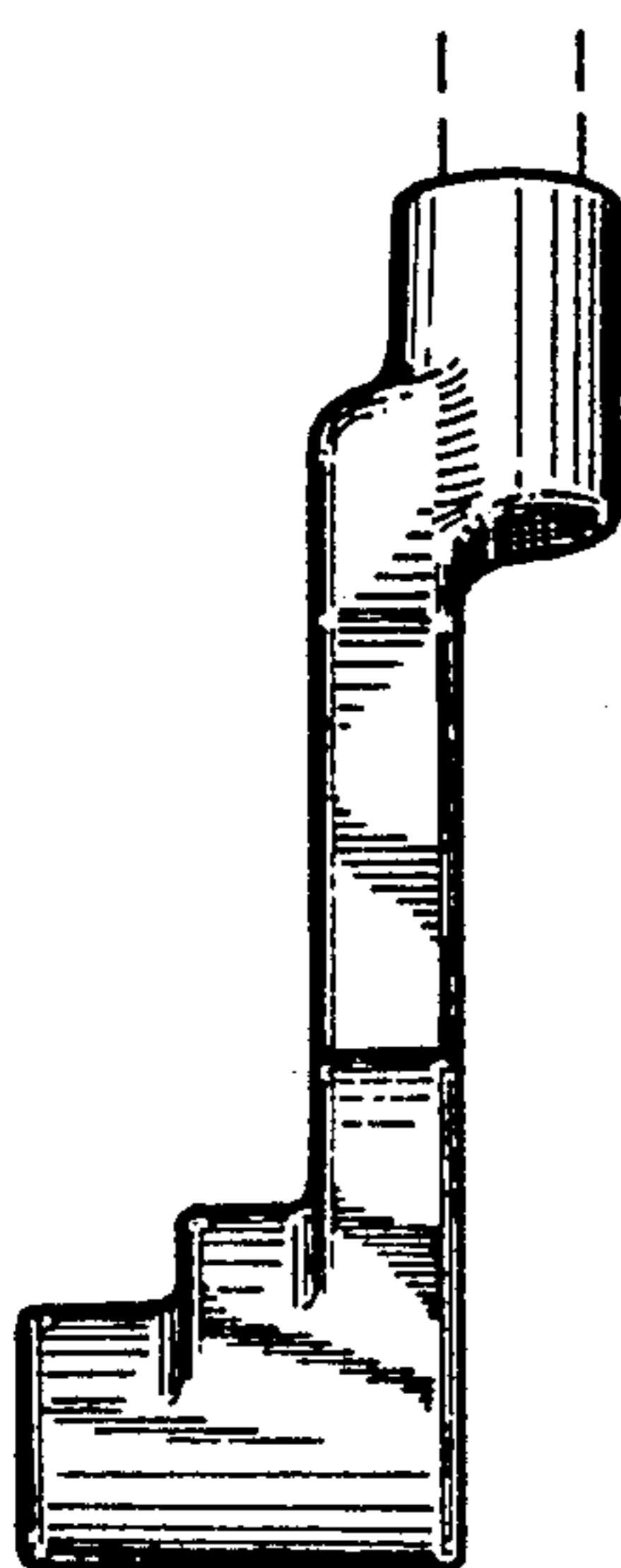


FIG. 5

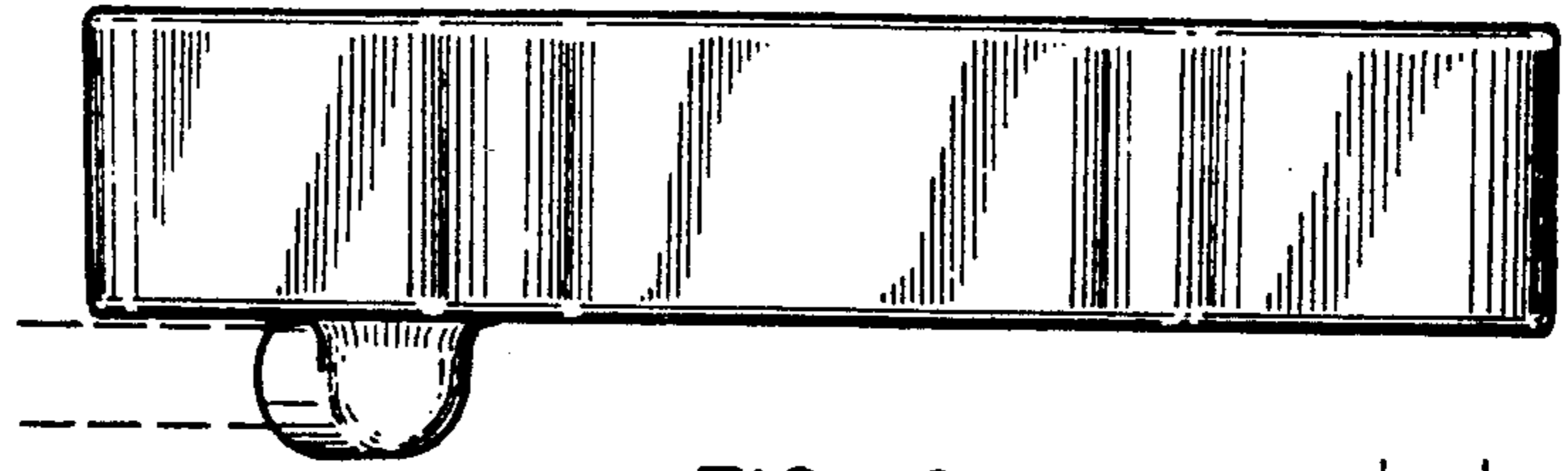


FIG. 6

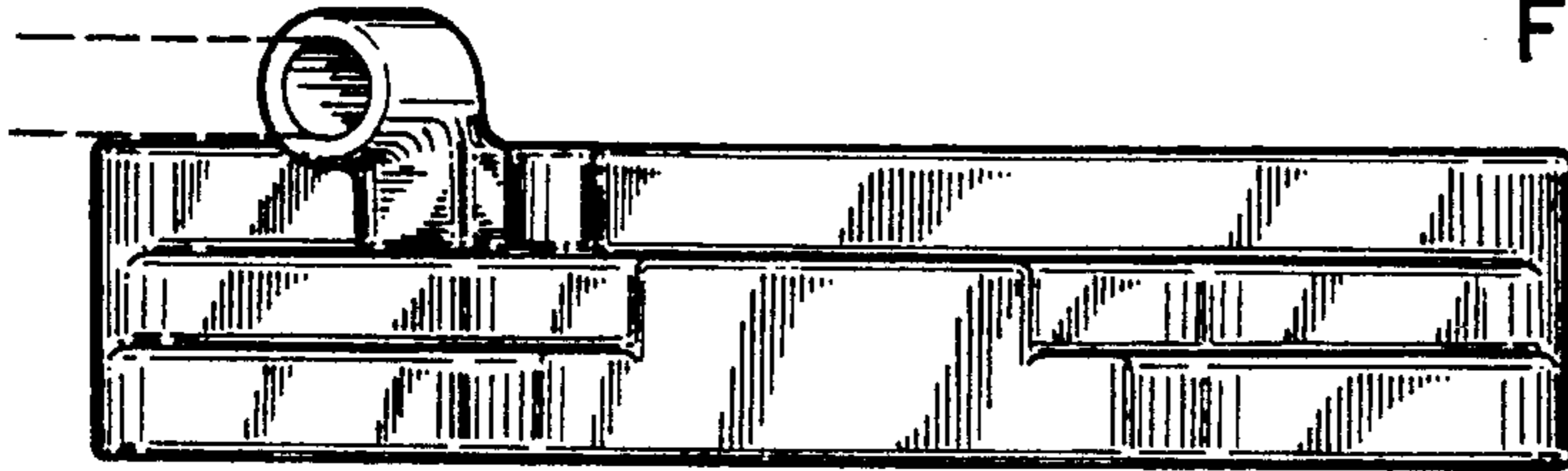


FIG. 7

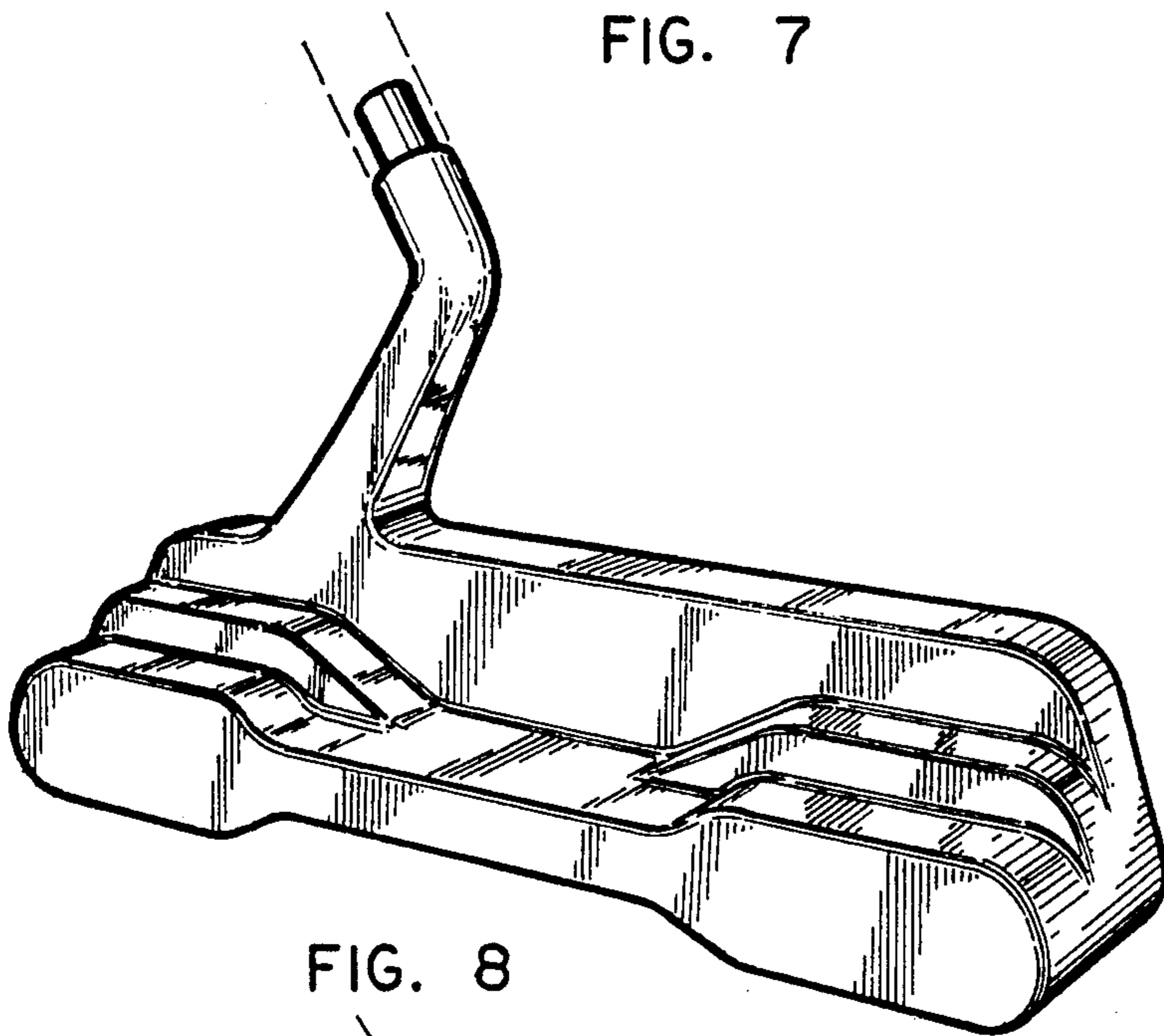


FIG. 8

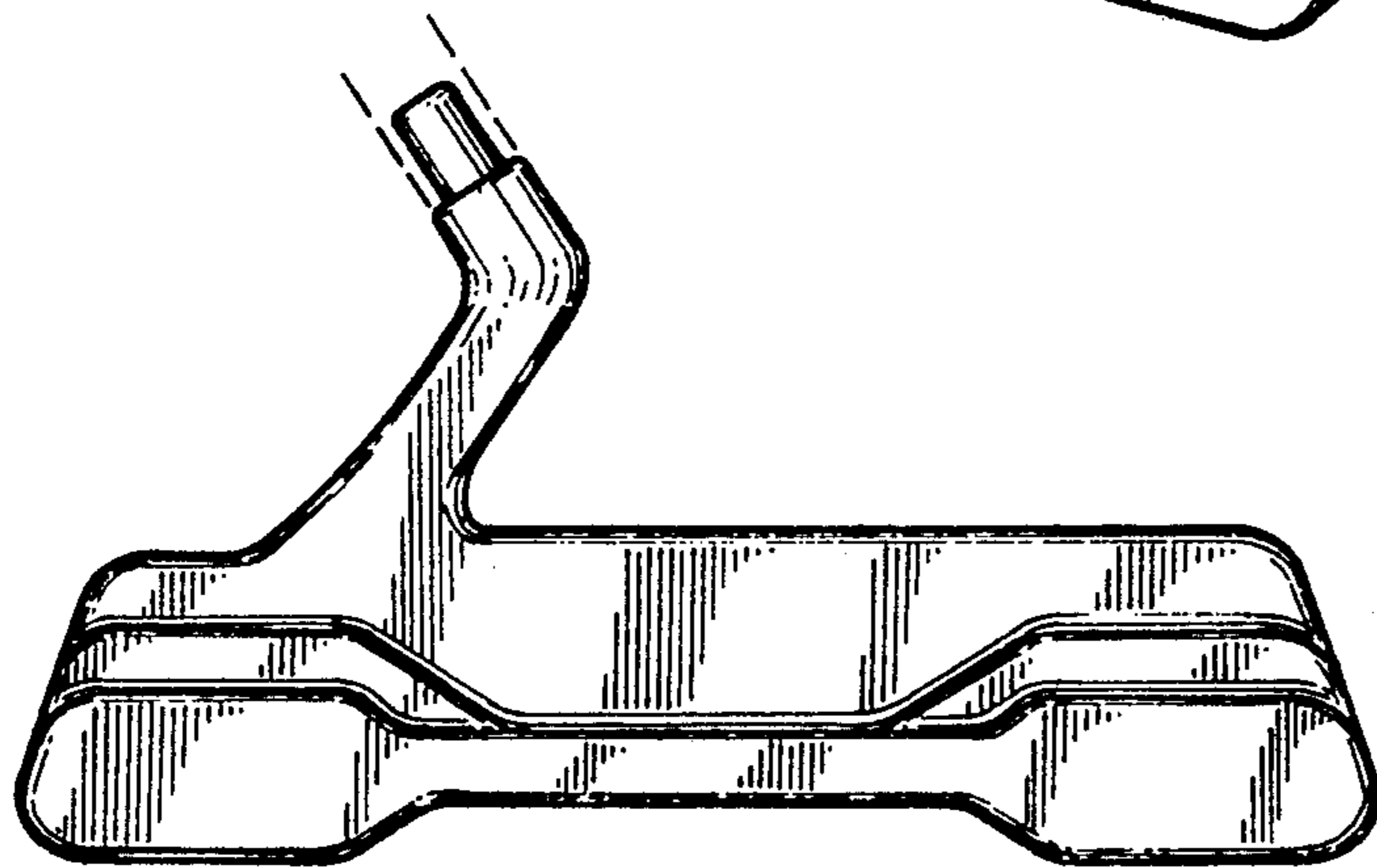


FIG. 9

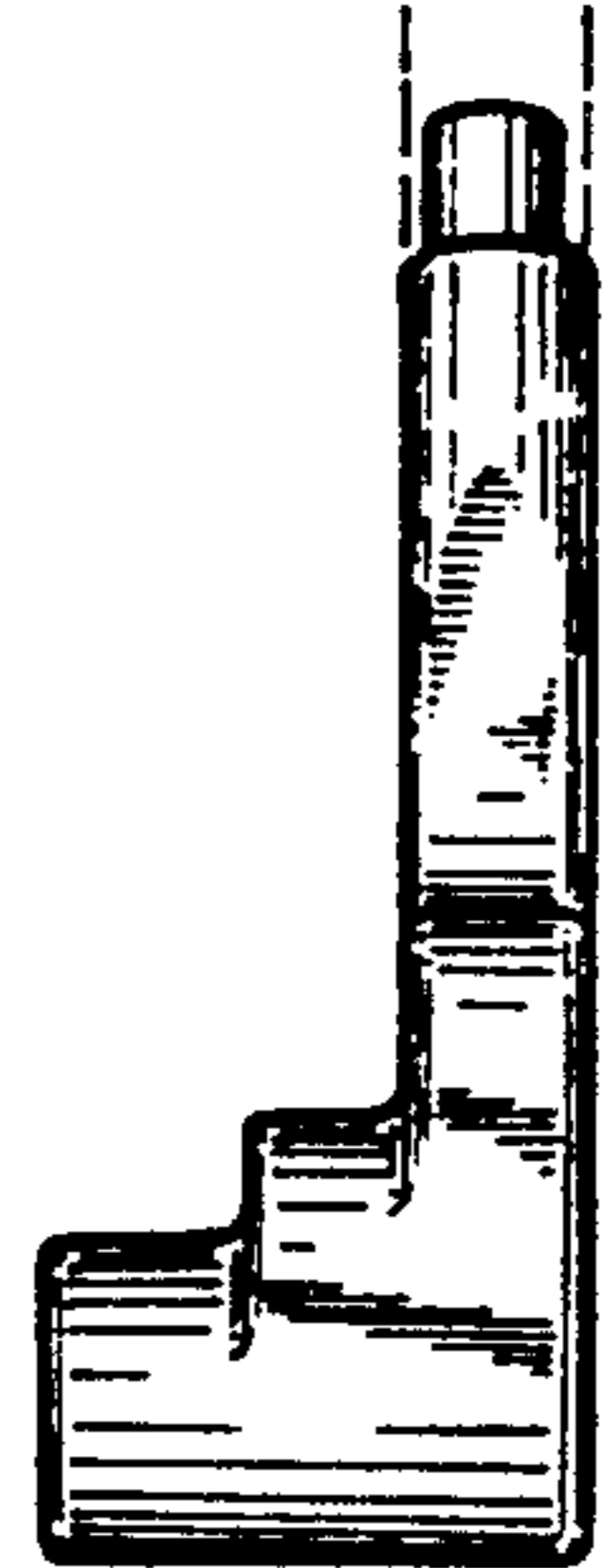


FIG. 10

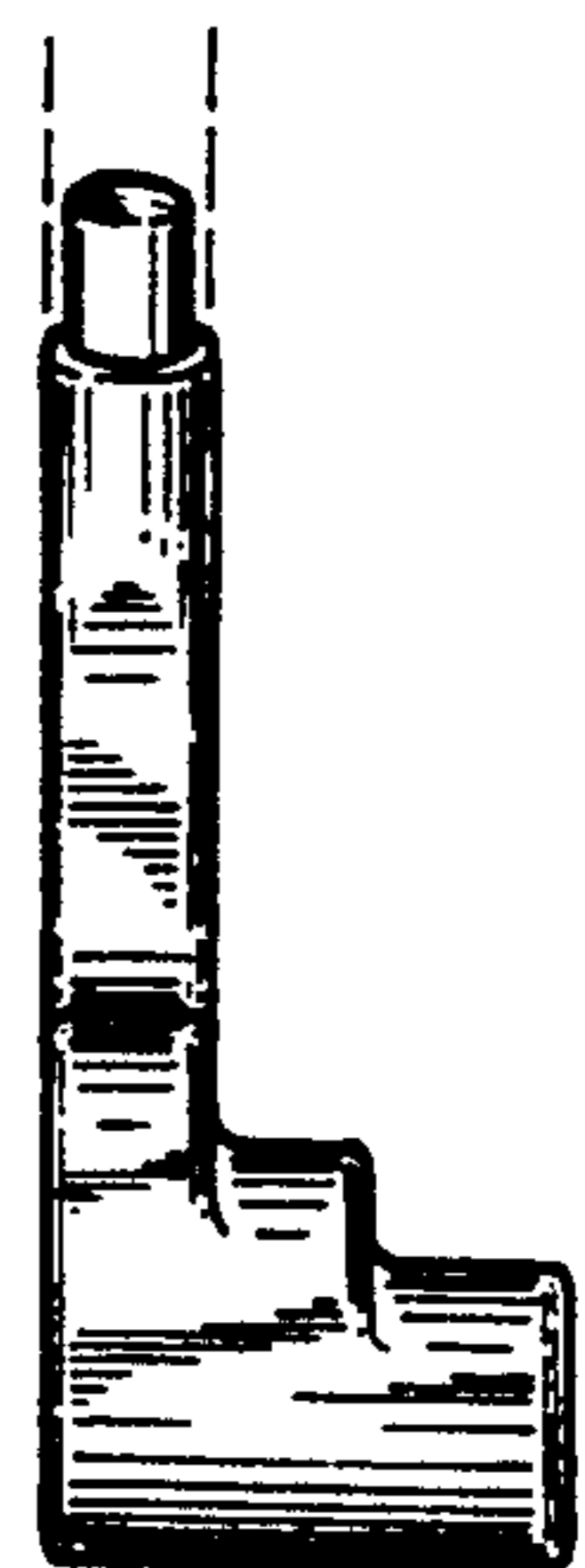


FIG. 12

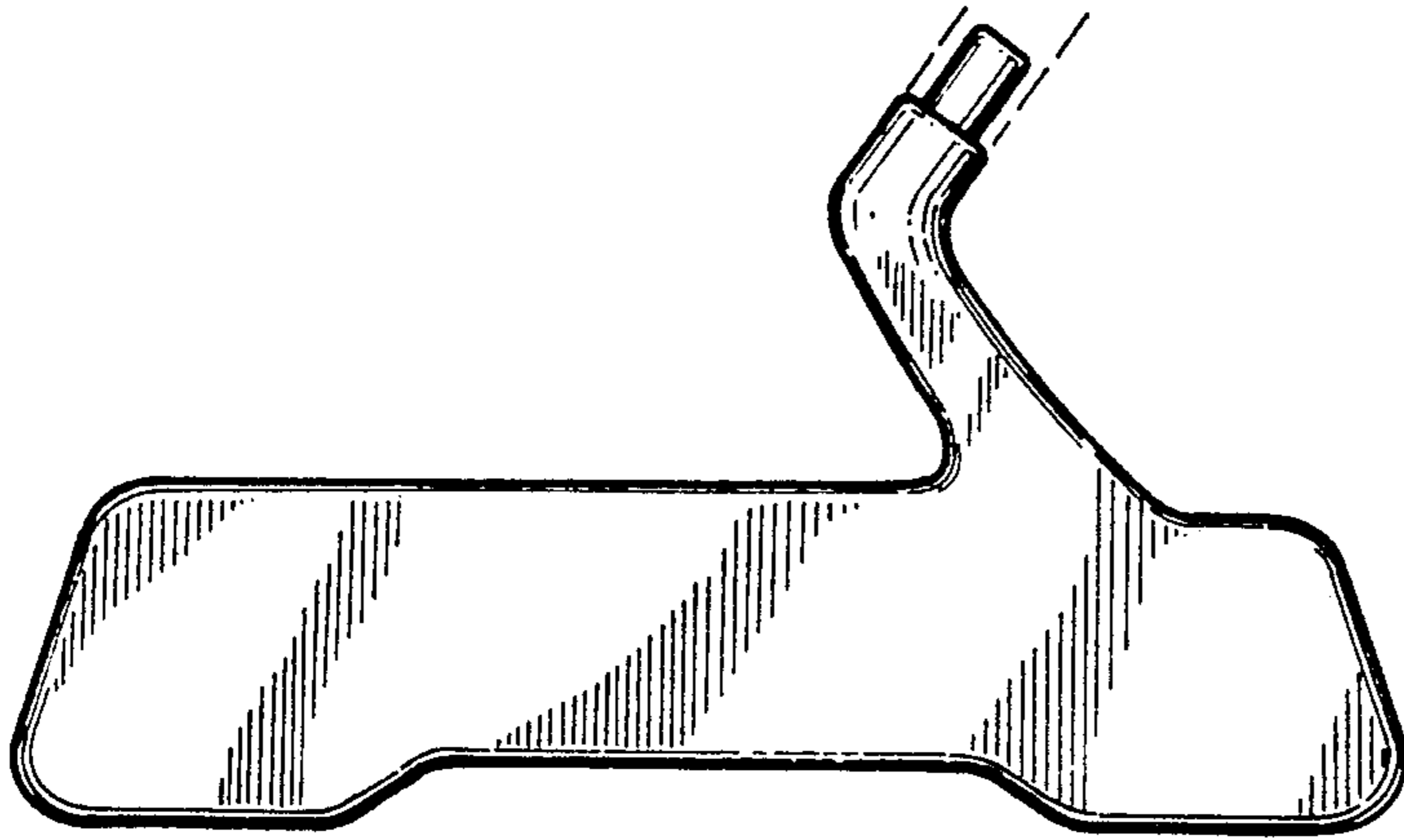


FIG. 11

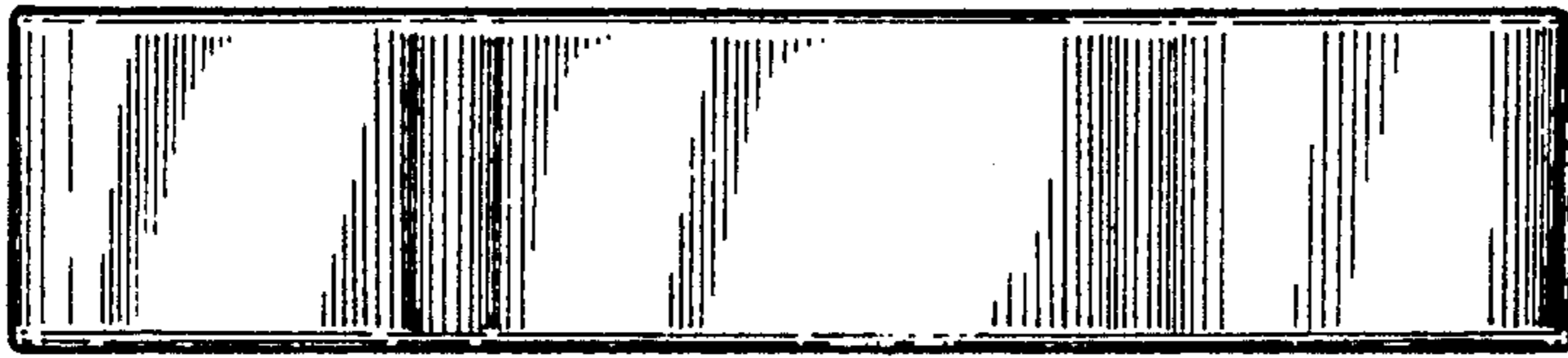


FIG. 13

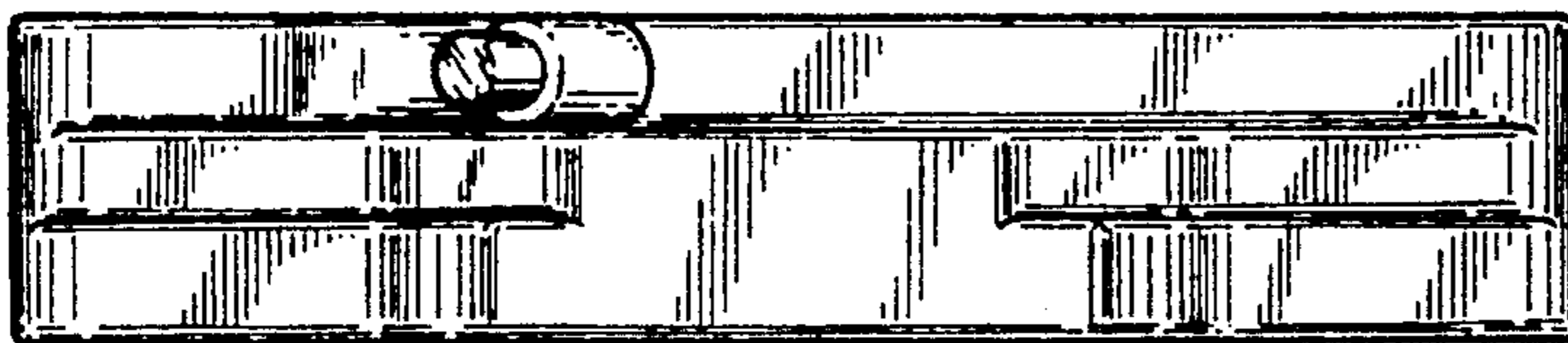


FIG. 14

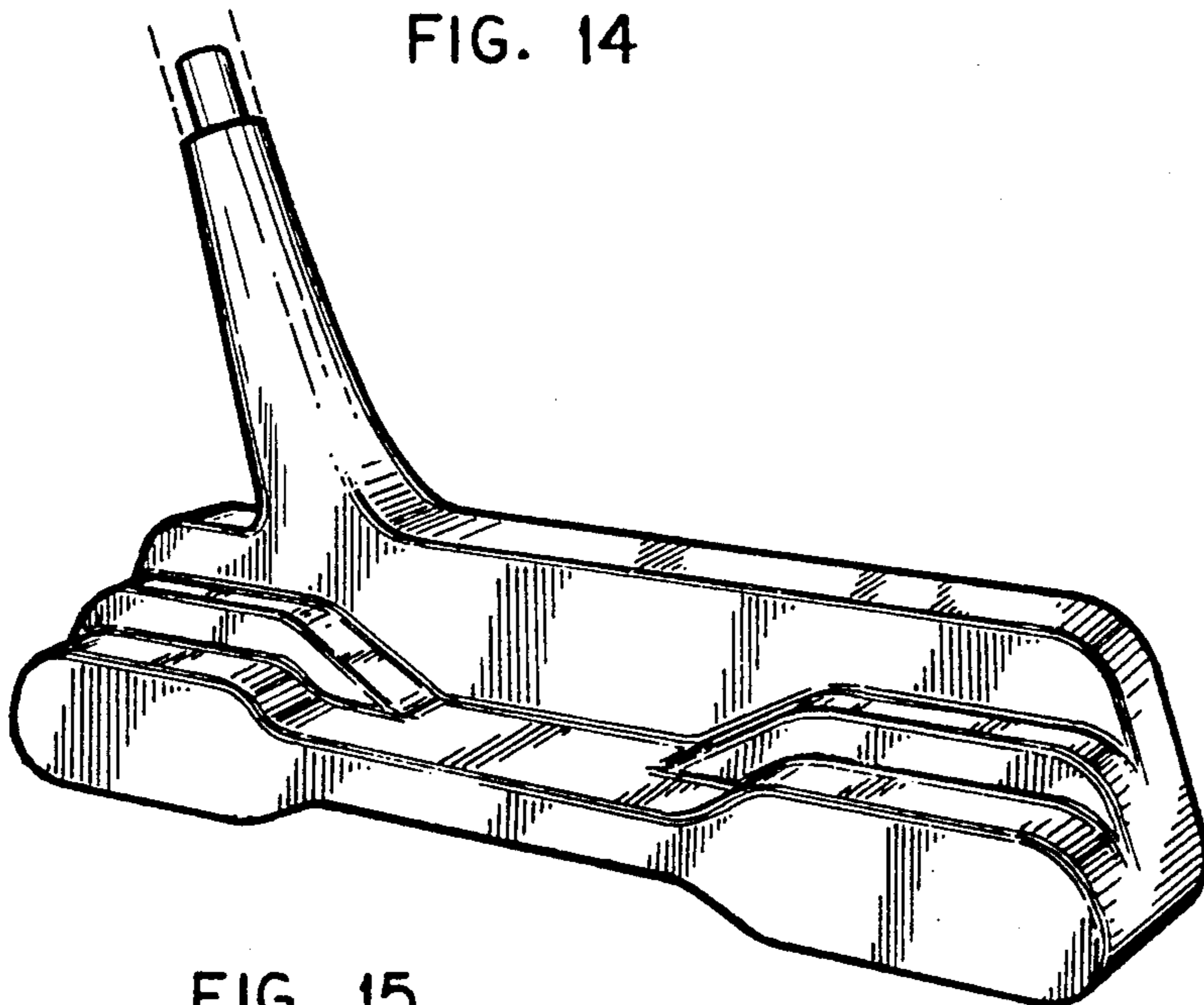


FIG. 15

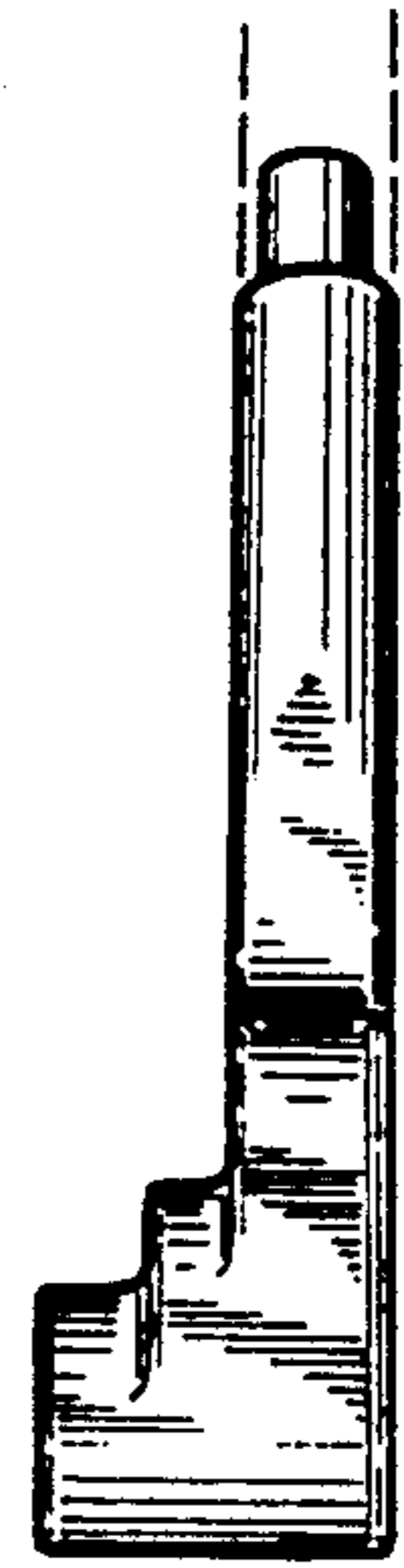


FIG. 17

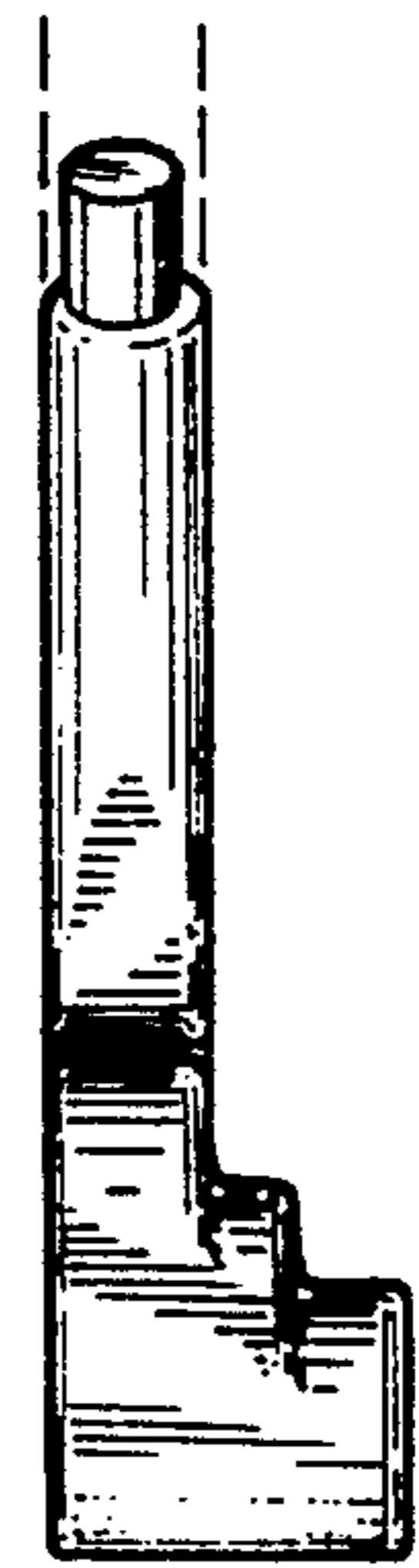


FIG. 19

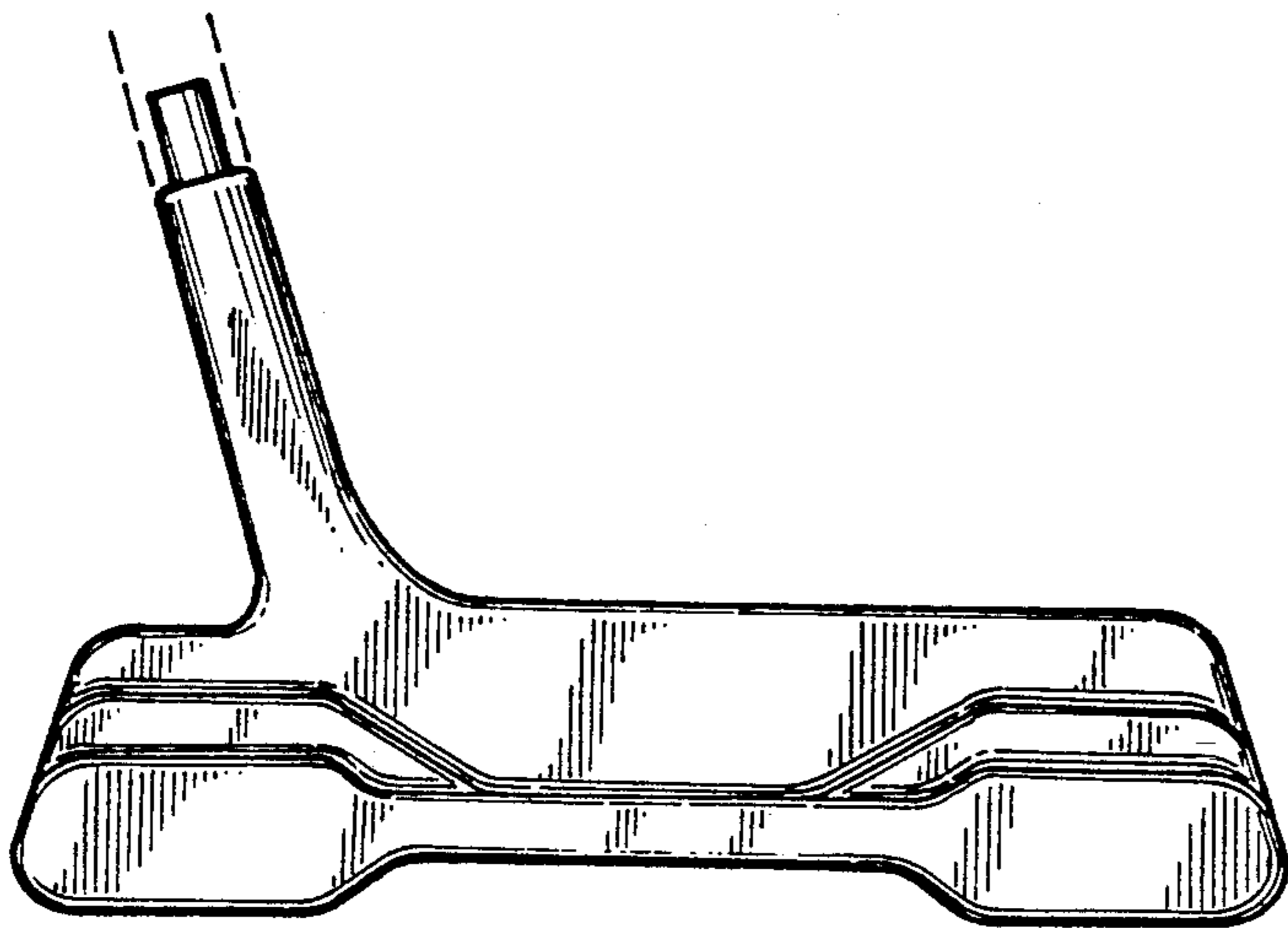


FIG. 16

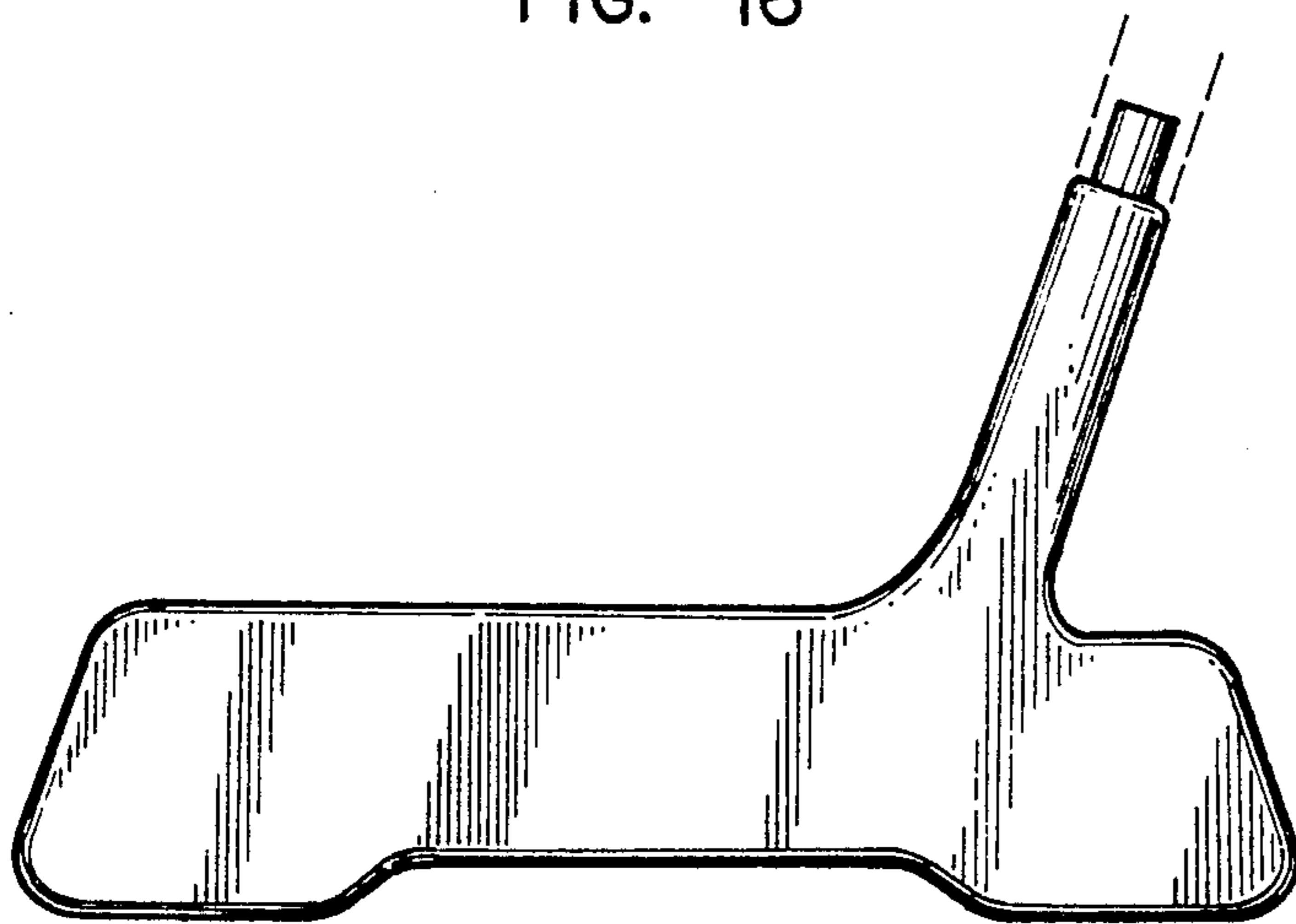


FIG. 18

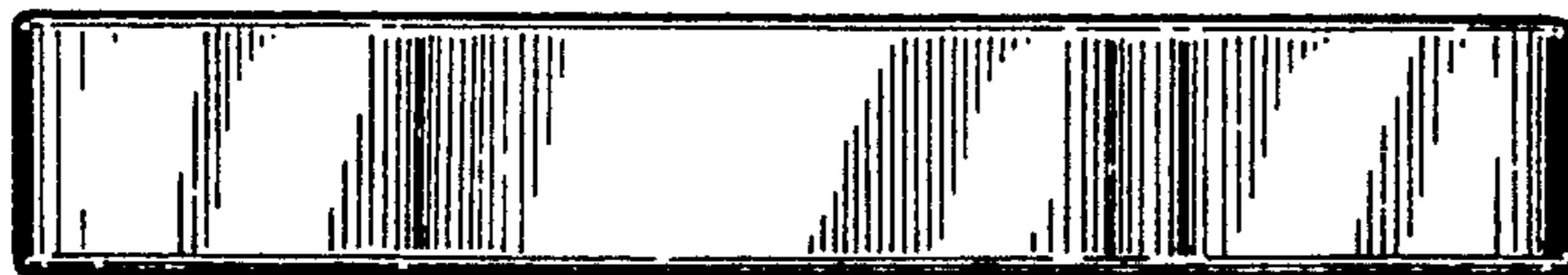


FIG. 20



FIG. 21

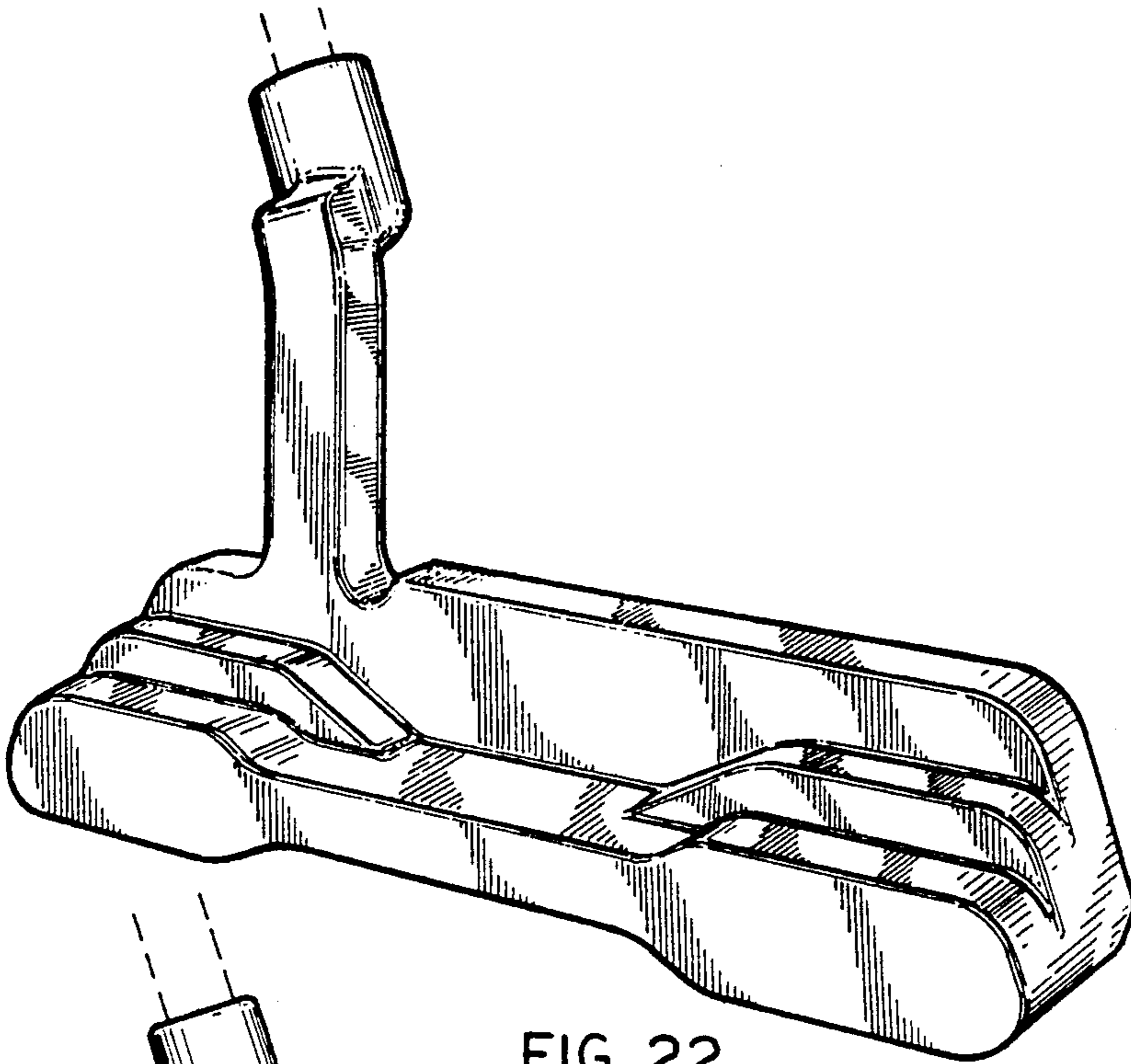


FIG. 22

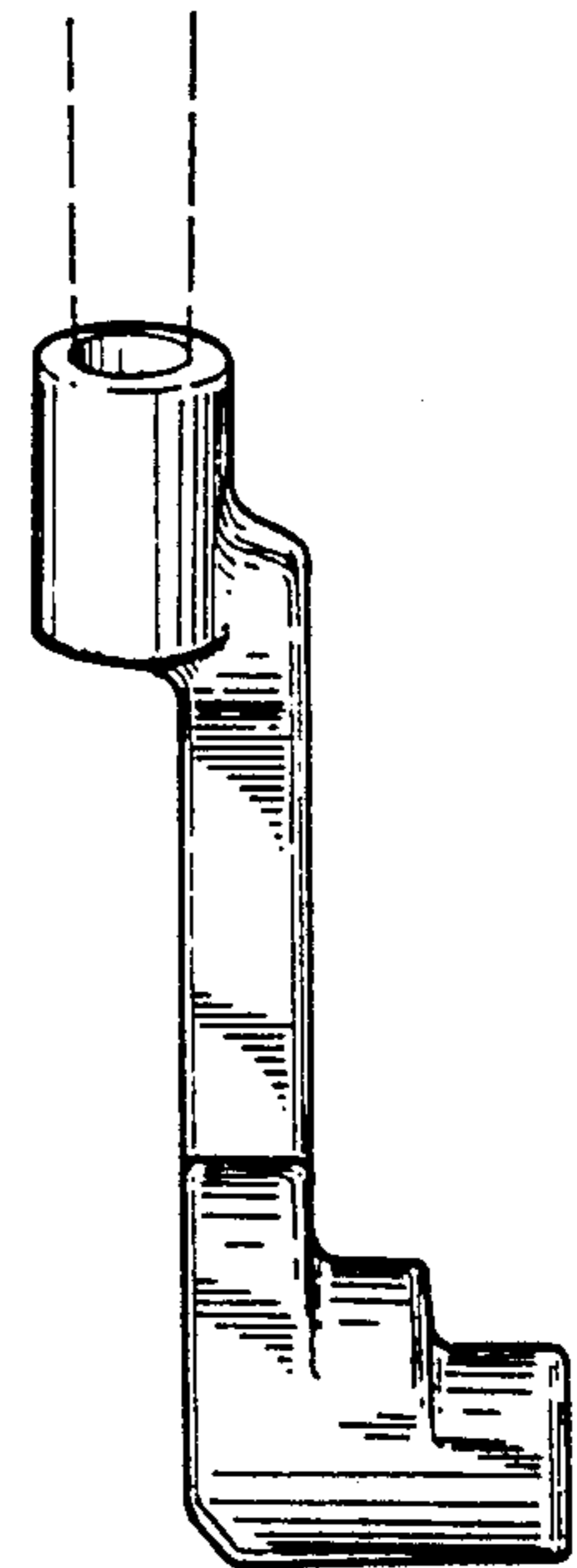


FIG. 24

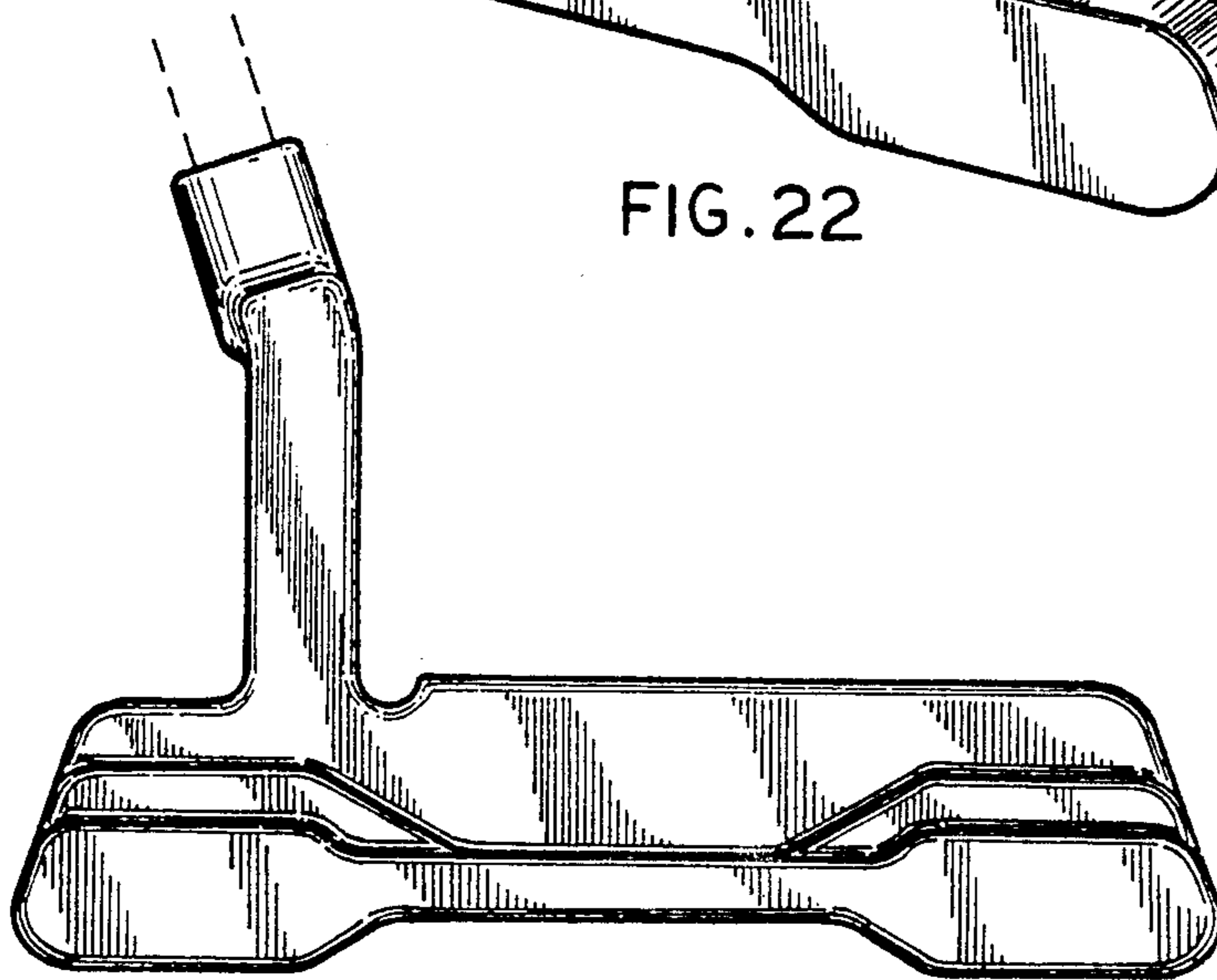


FIG. 23

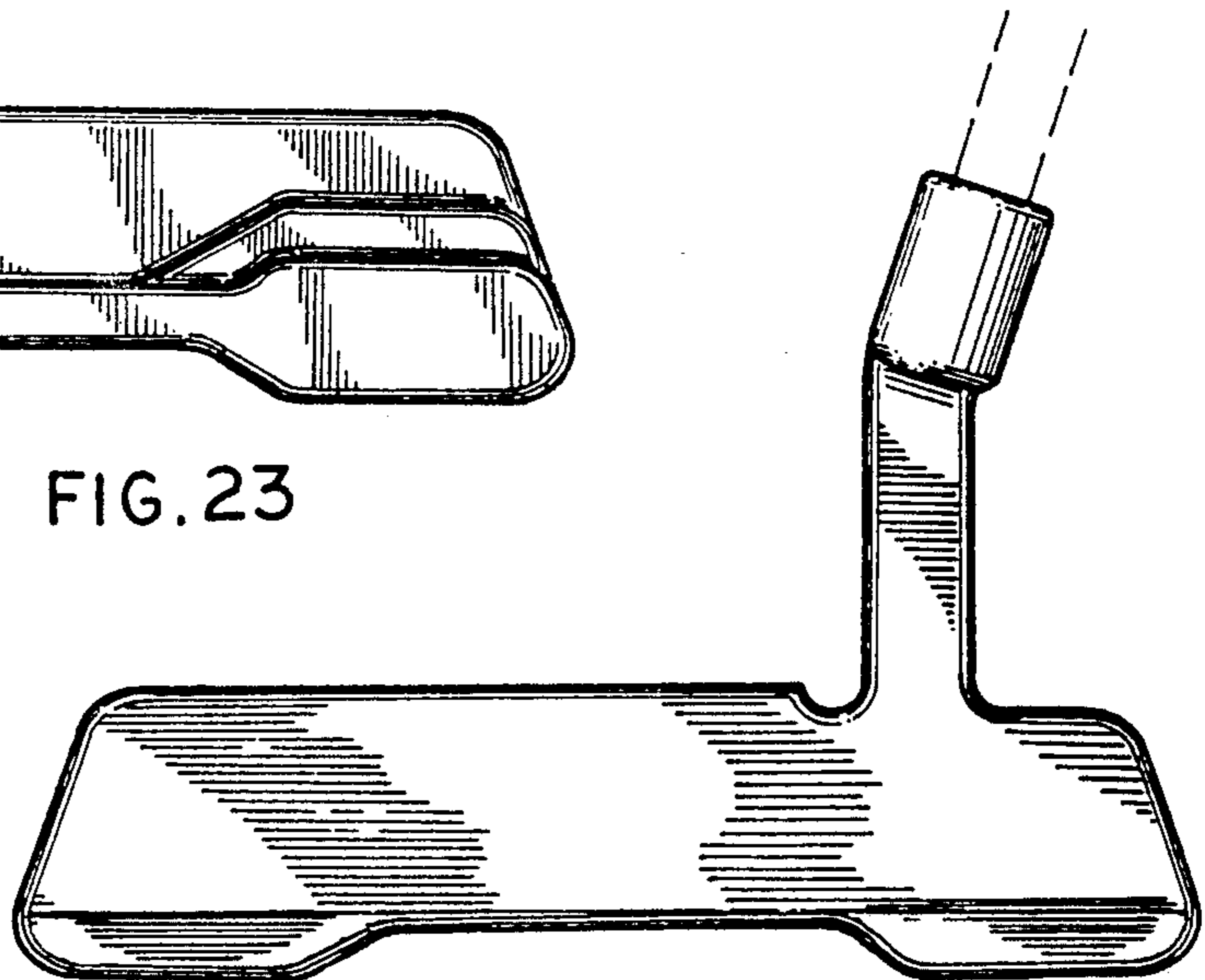


FIG. 25

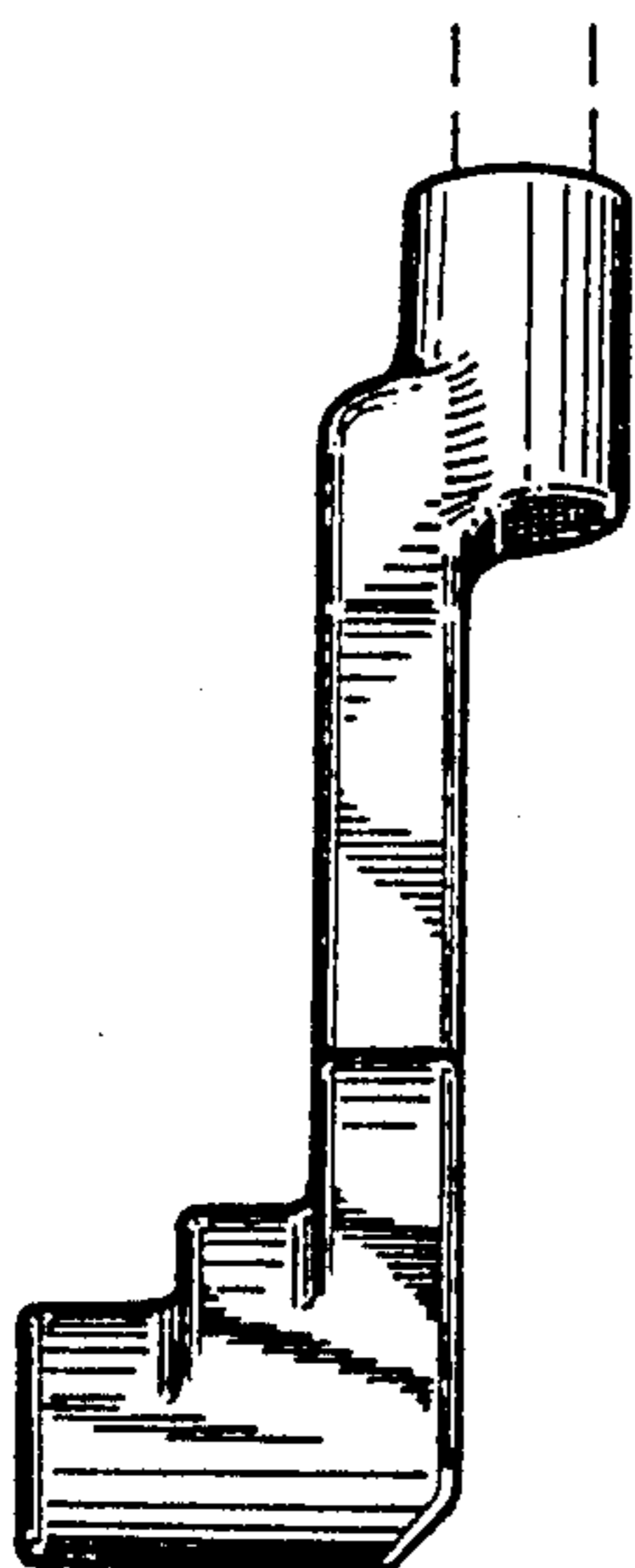


FIG. 26

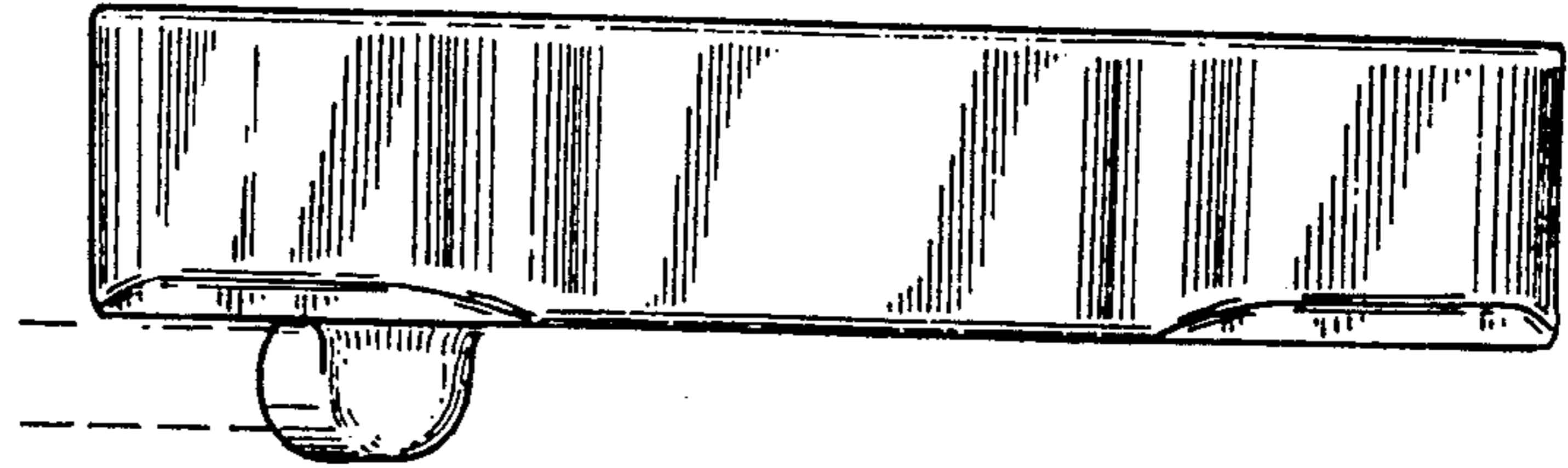


FIG. 27

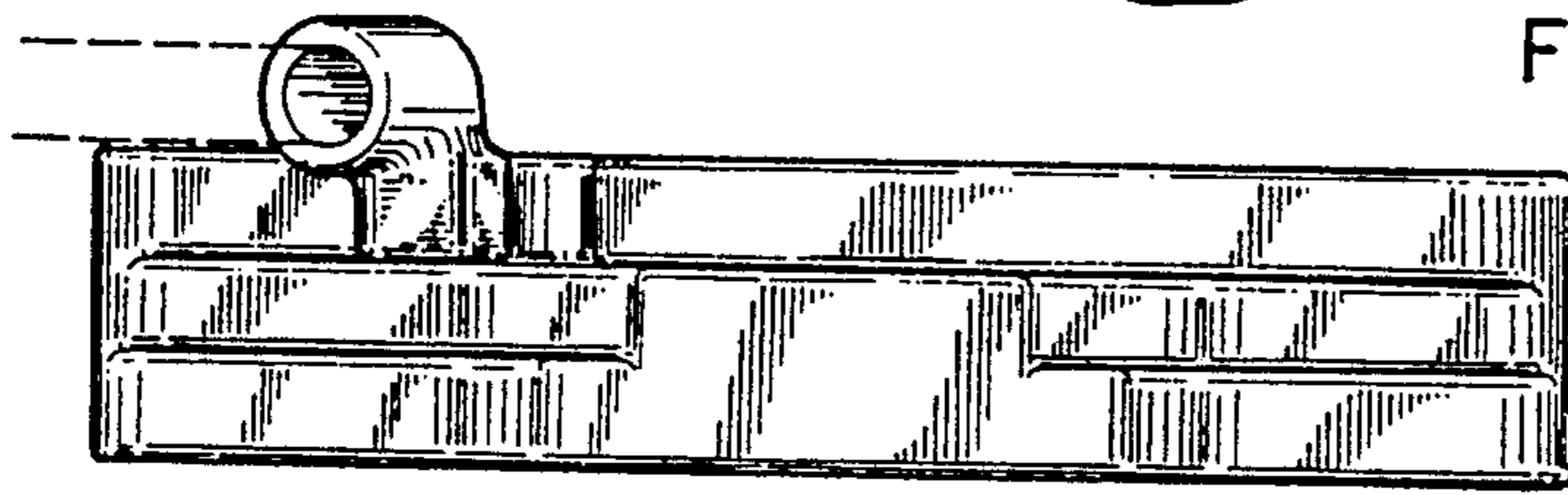


FIG. 28

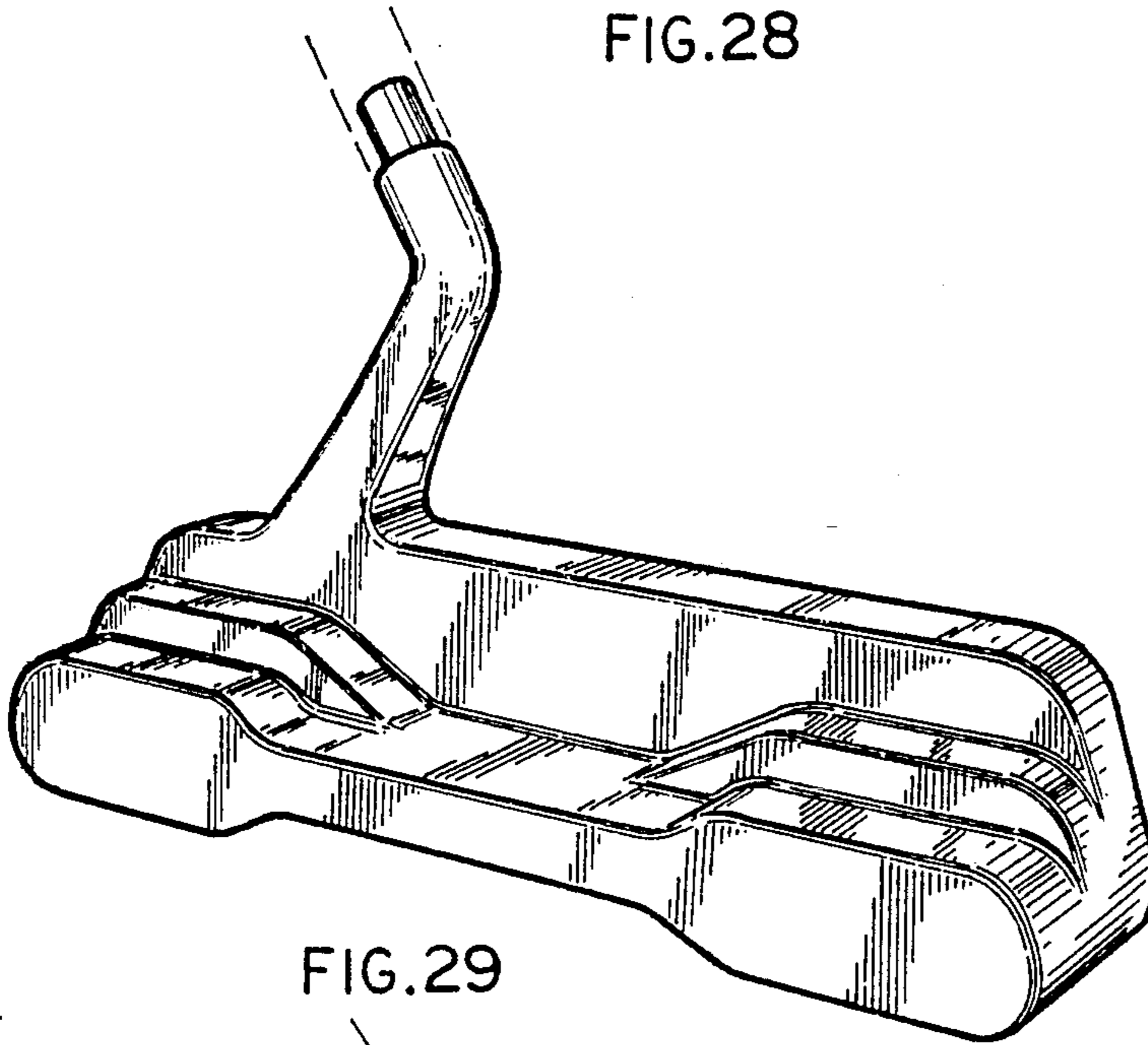


FIG. 29

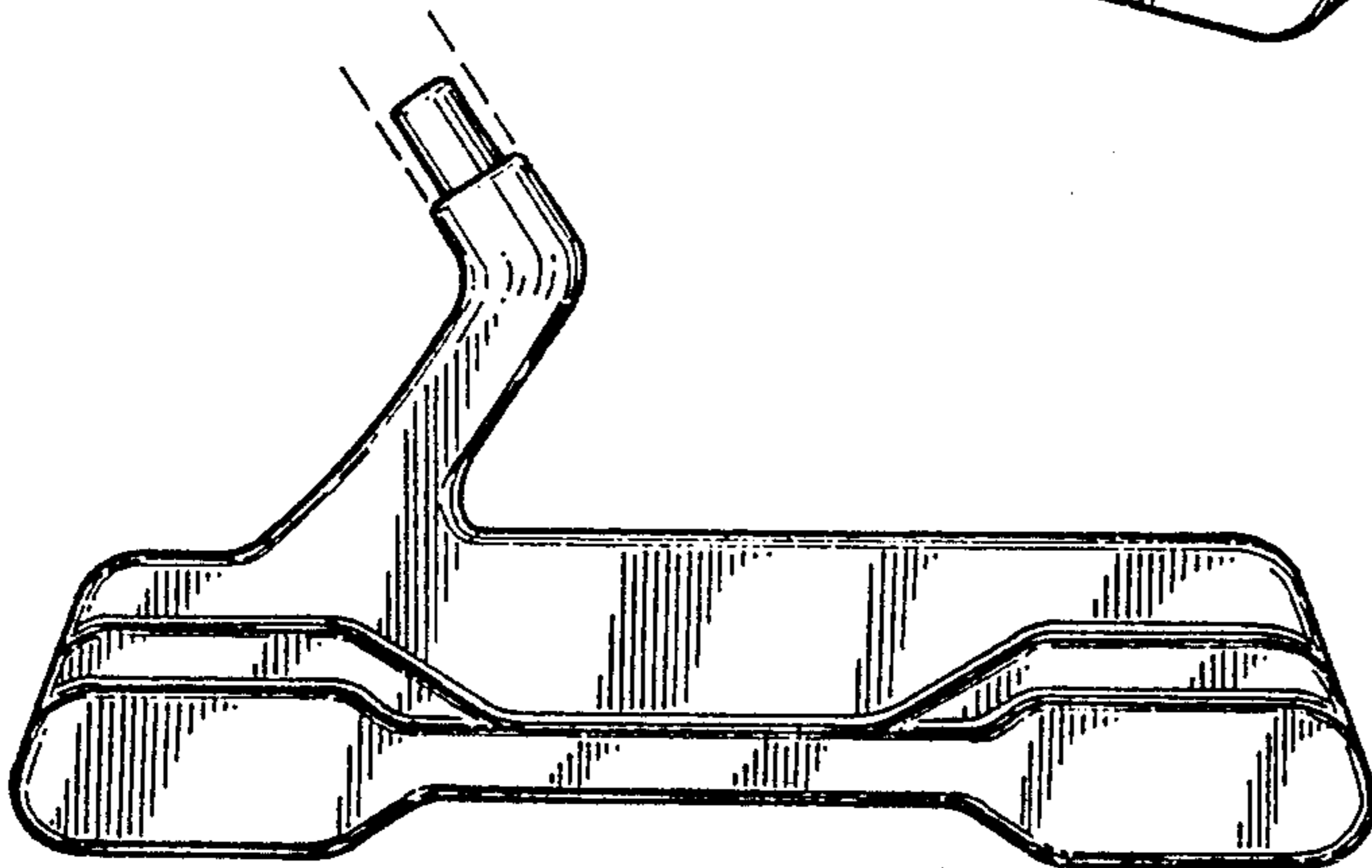


FIG. 30



FIG. 31

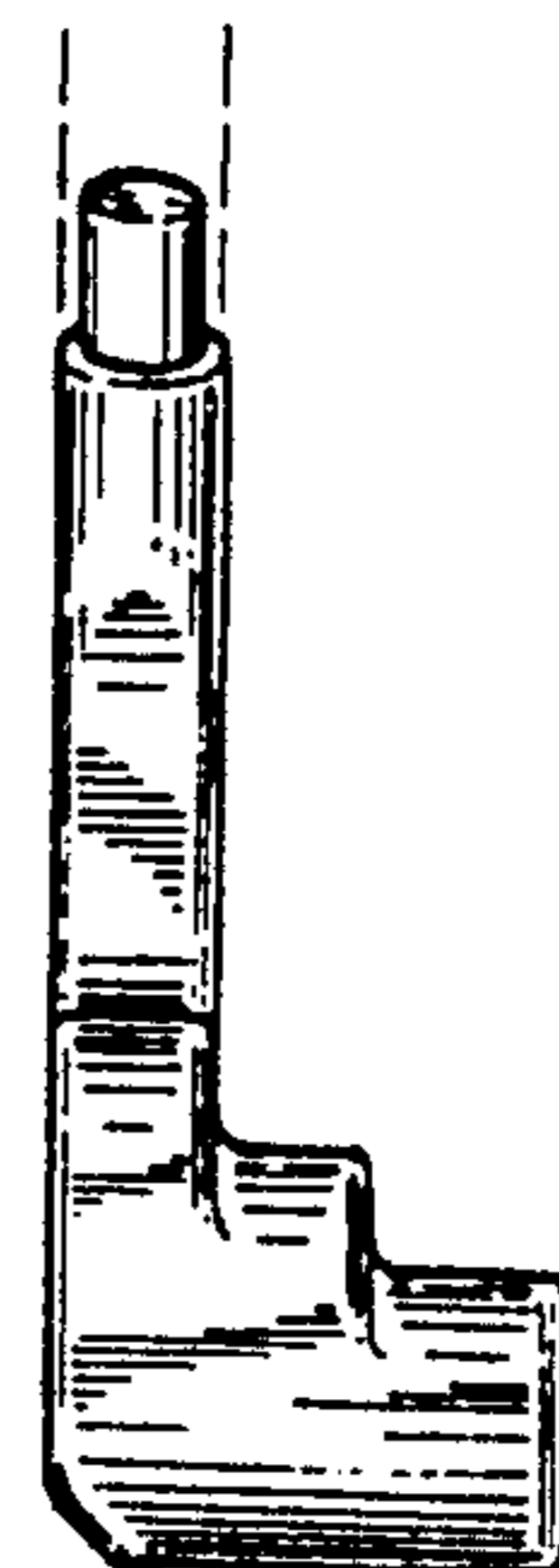


FIG. 33

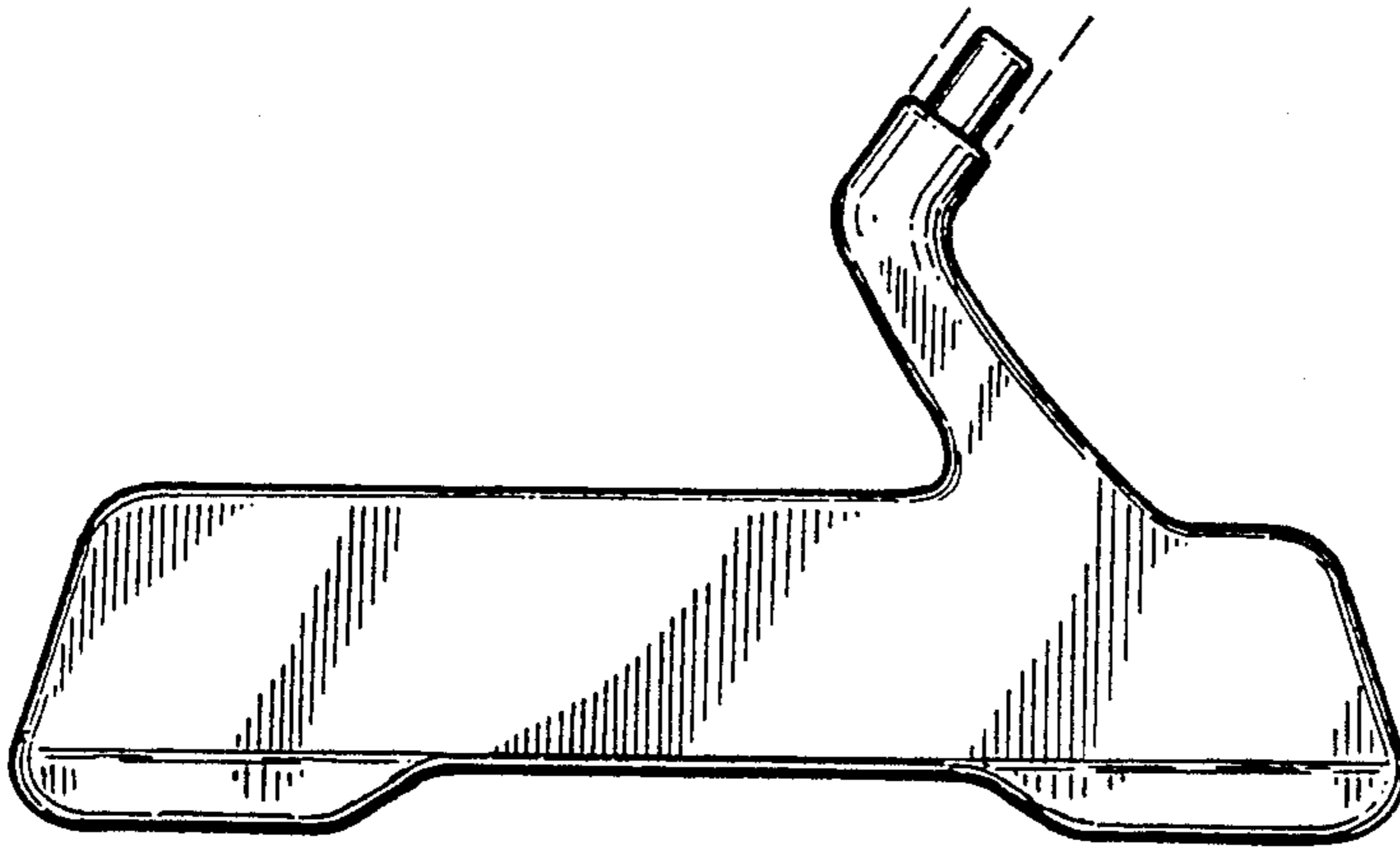


FIG. 32

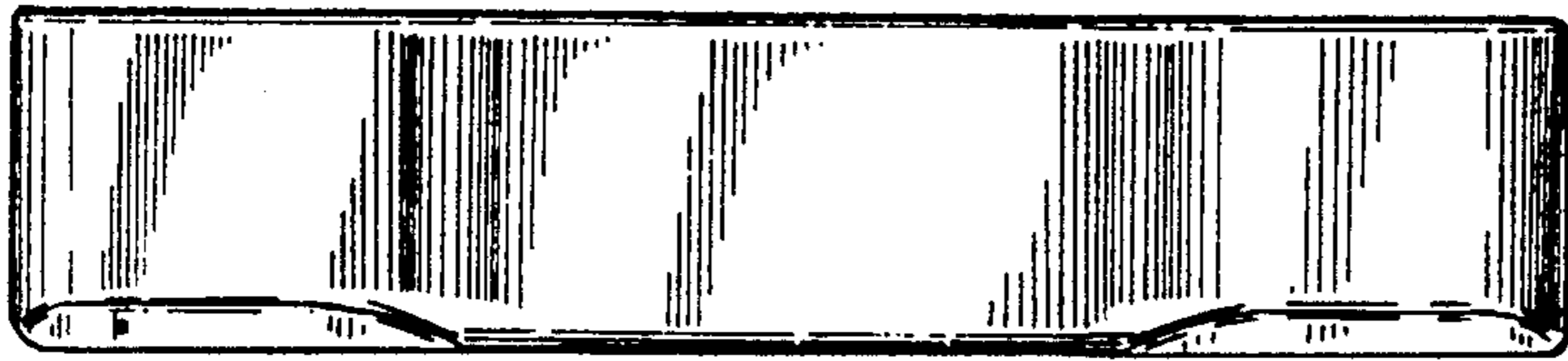


FIG. 34

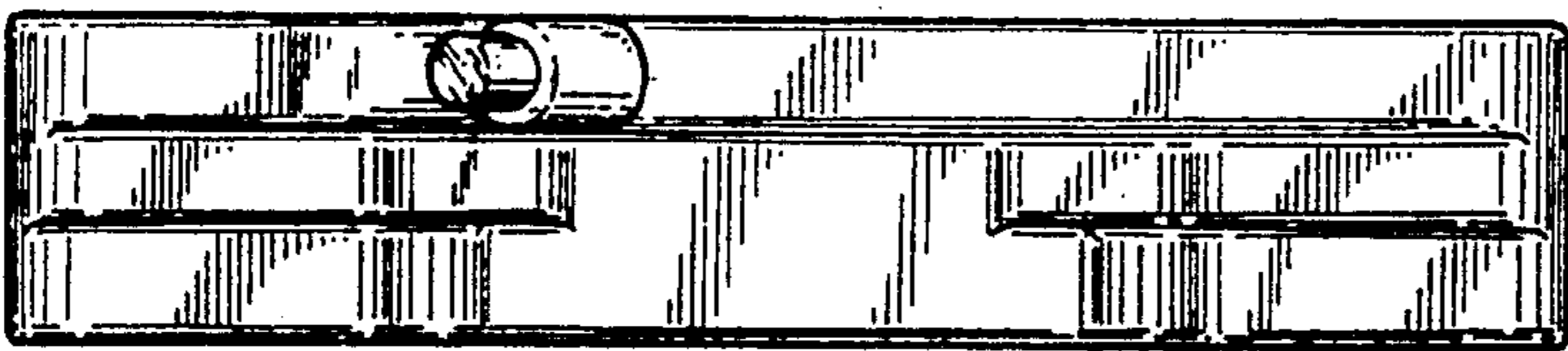


FIG. 35

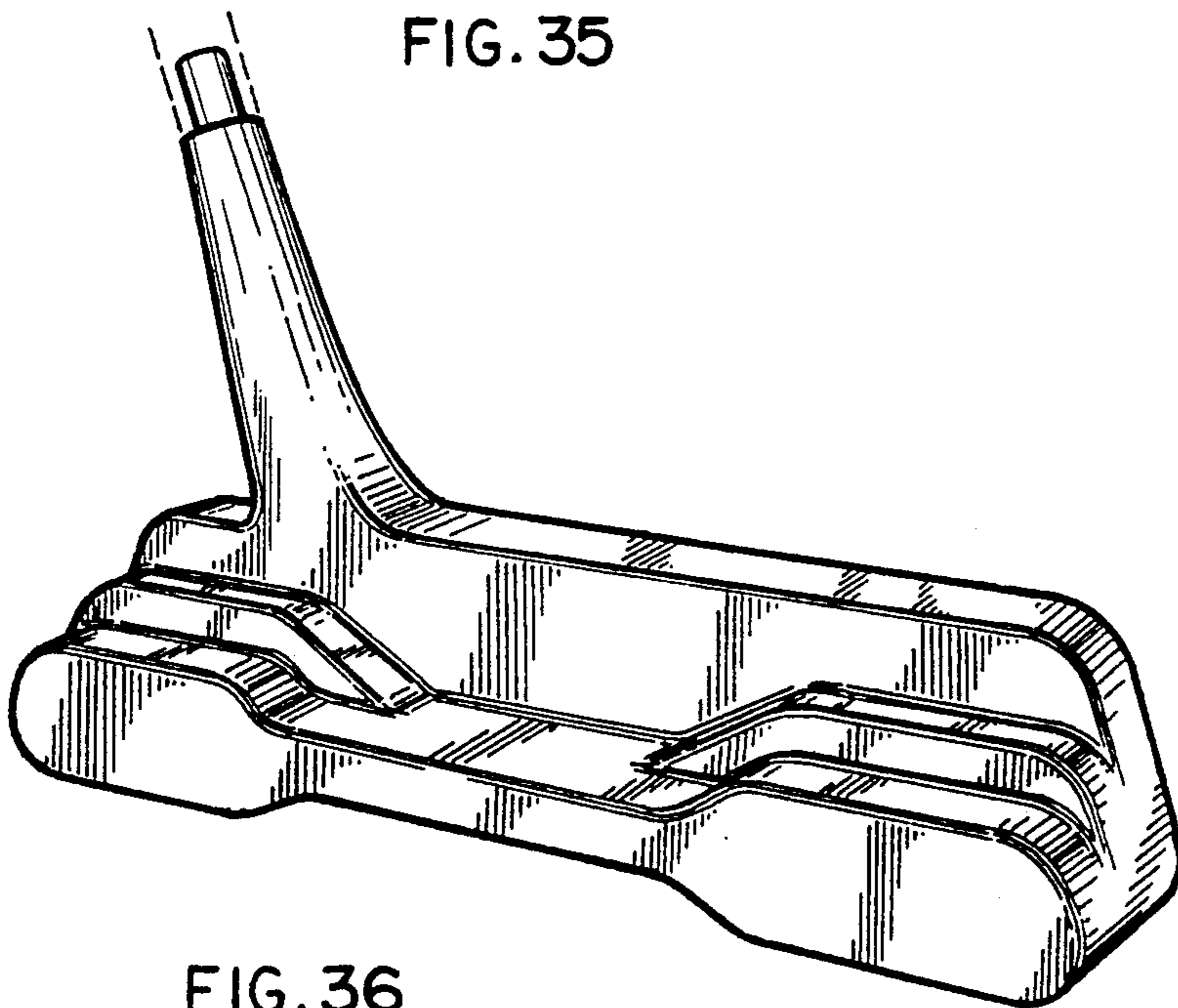


FIG. 36

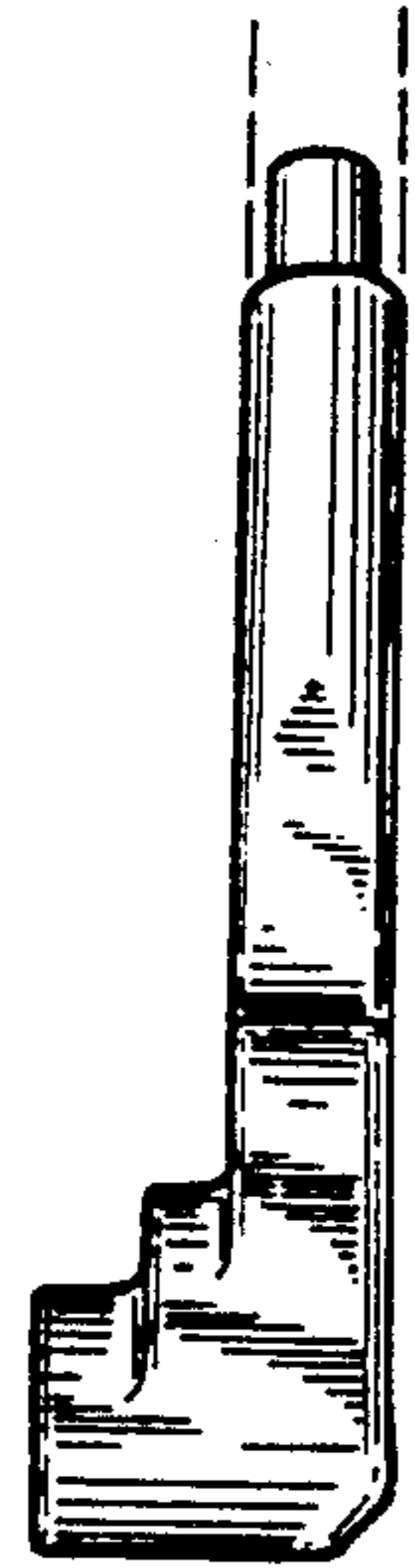


FIG. 38

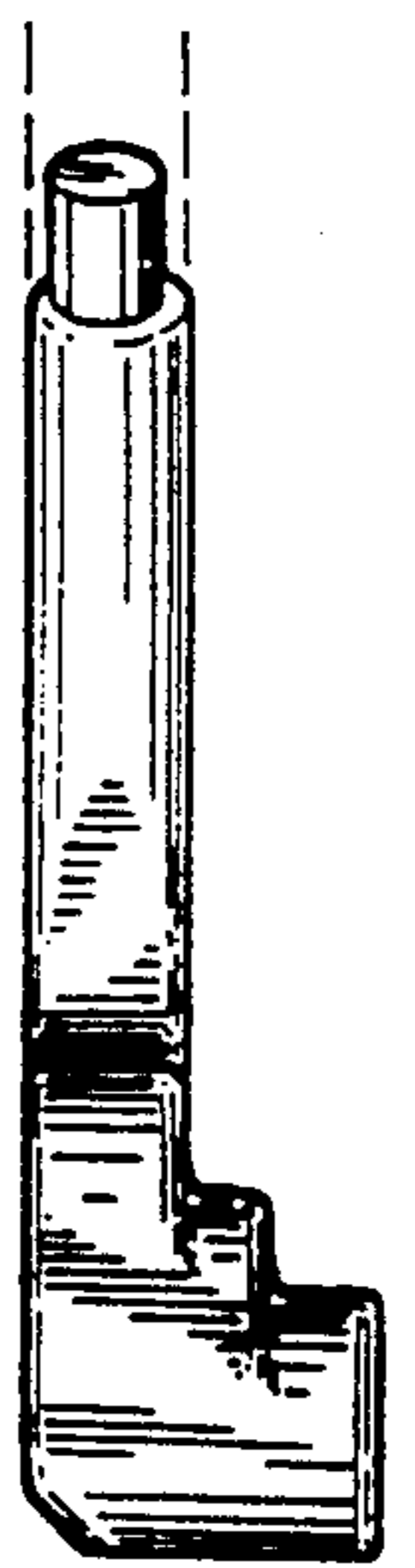


FIG. 40

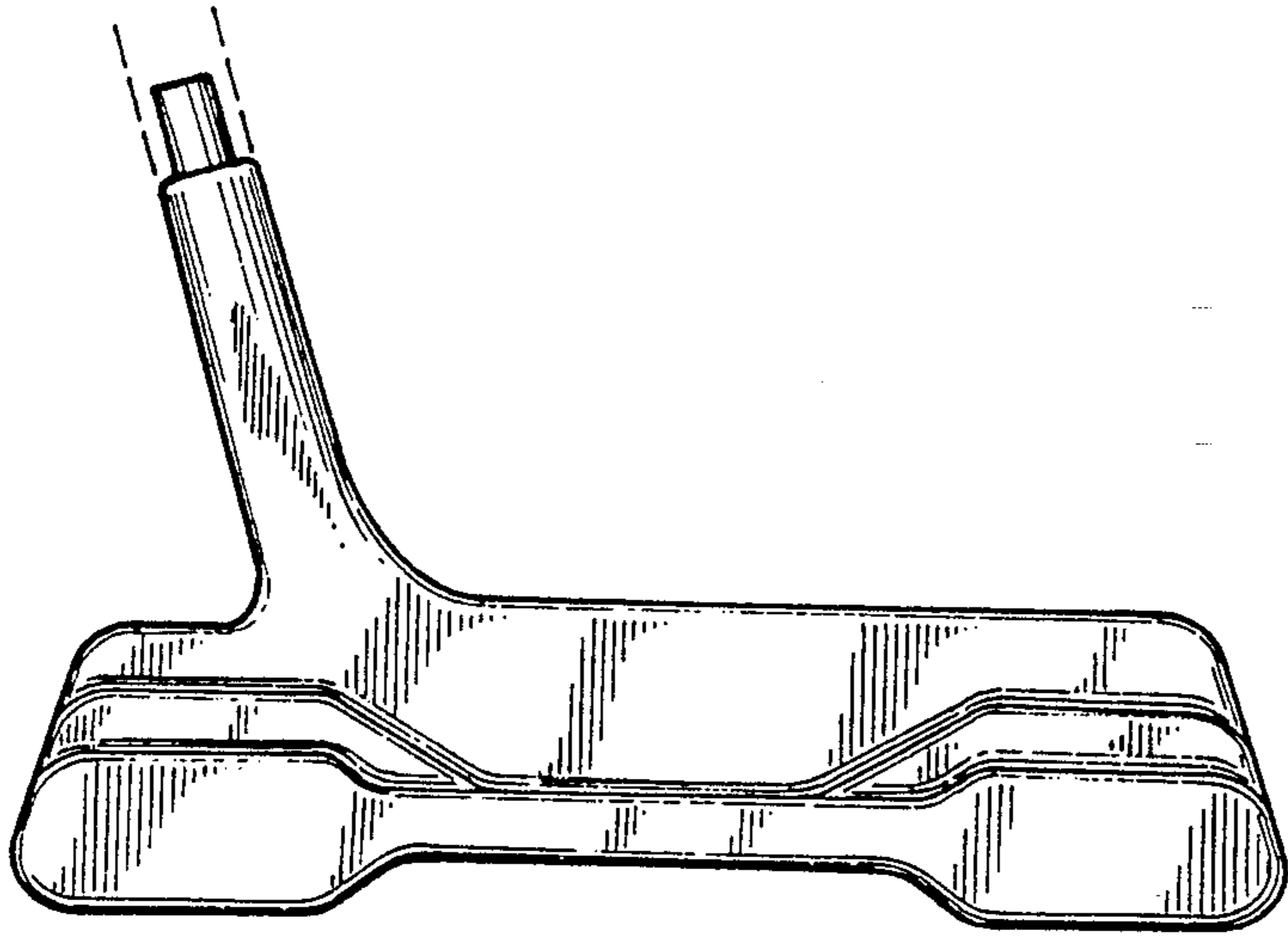


FIG. 37

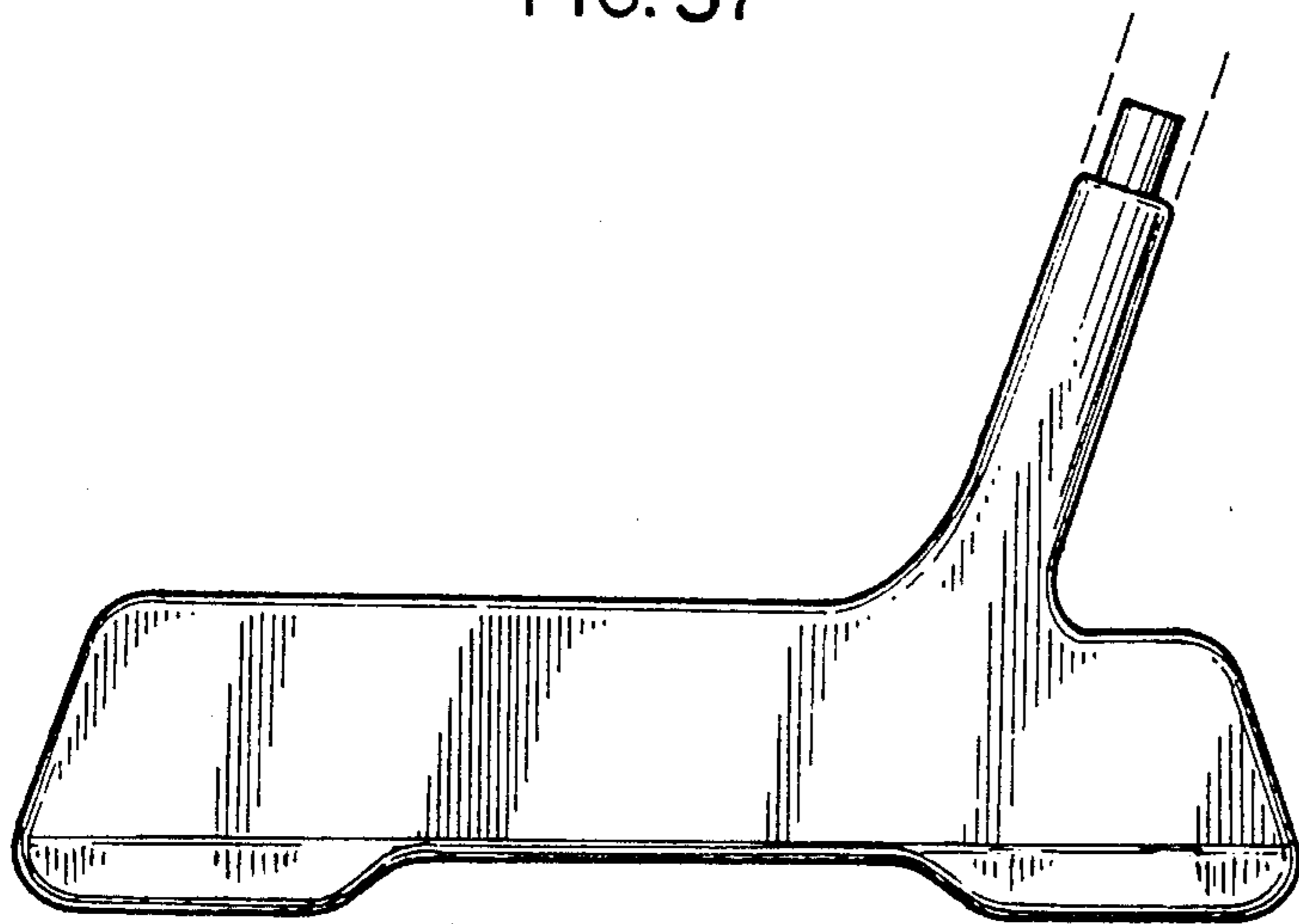


FIG. 39

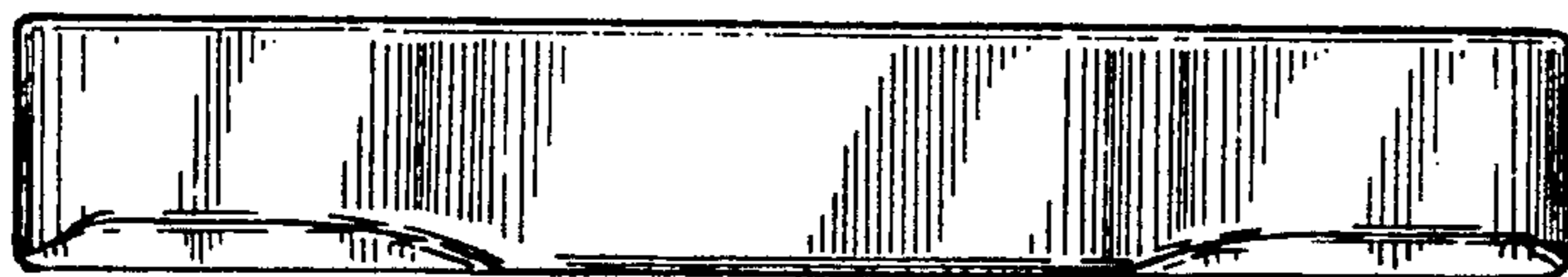


FIG. 41



FIG. 42