



US00D329889S

United States Patent [19]

[11] Patent Number: **Des. 329,889**

Scott

[45] Date of Patent: **** Sep. 29, 1992**

[54] **GOLF PUTTER**

[76] Inventor: **Eric J. Scott**, 9846 Rose Hill Rd.
#12, Berrien Springs, Mich. 49103

[**] Term: **14 Years**

[21] Appl. No.: **439,561**

[22] Filed: **Nov. 21, 1989**

[52] U.S. Cl. **D21/217**

[58] Field of Search **D21/214-220;**
273/167-175, 164 R

[56] **References Cited**

U.S. PATENT DOCUMENTS

- D. 314,412 2/1991 Nelson D21/215
- 3,448,981 6/1969 Anweiler D21/217

OTHER PUBLICATIONS

Golf World, Jan. 18, 1974, p. 32, top left, Tap-In putter.
Golf World, Nov. 2, 1979, p. 24, item H, putter.

Primary Examiner—Melvin B. Feifer
Attorney, Agent, or Firm—Leon Gilden

[57] **CLAIM**

The ornamental design for a golf putter, as shown and described.

DESCRIPTION

FIG. 1 is a left side elevational view of the golf putter showing my new design;
 FIG. 2 is a right side elevational view thereof;
 FIG. 3 is a front elevational view thereof;
 FIG. 4 is a rear elevational view thereof;
 FIG. 5 is a top plan view thereof; and,
 FIG. 6 is a bottom plan view thereof.

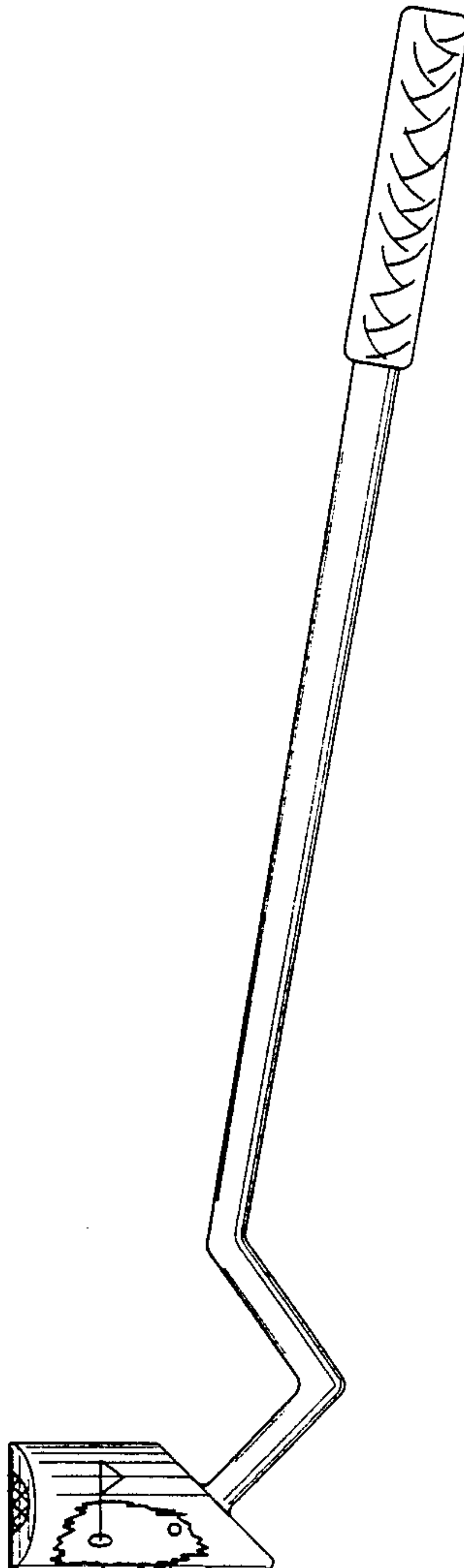


FIG. 1

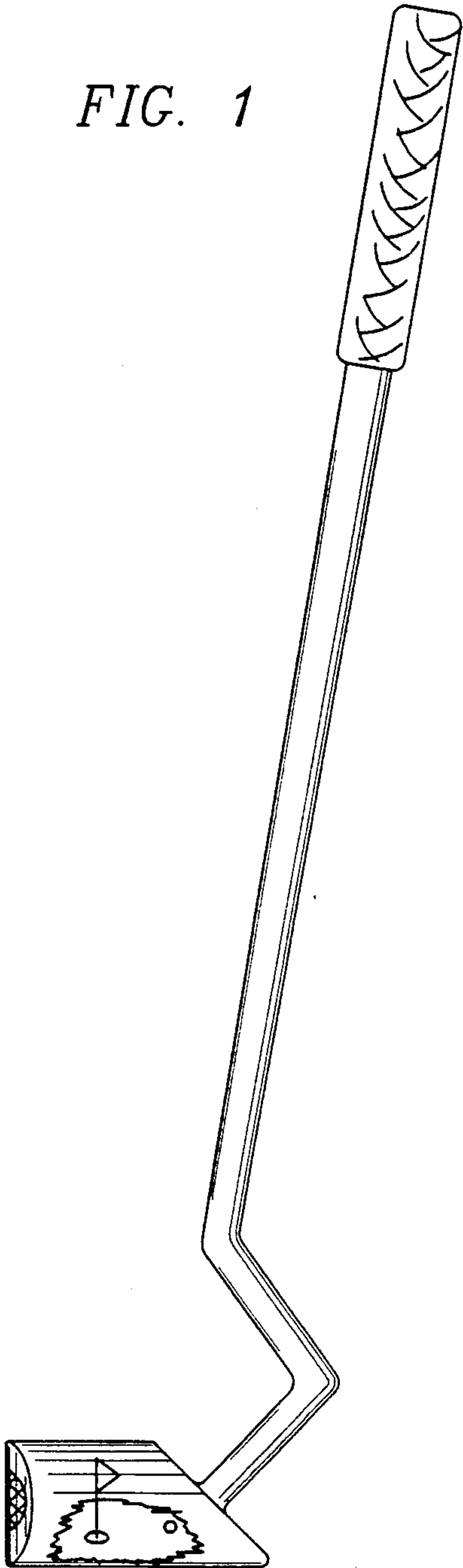


FIG. 2

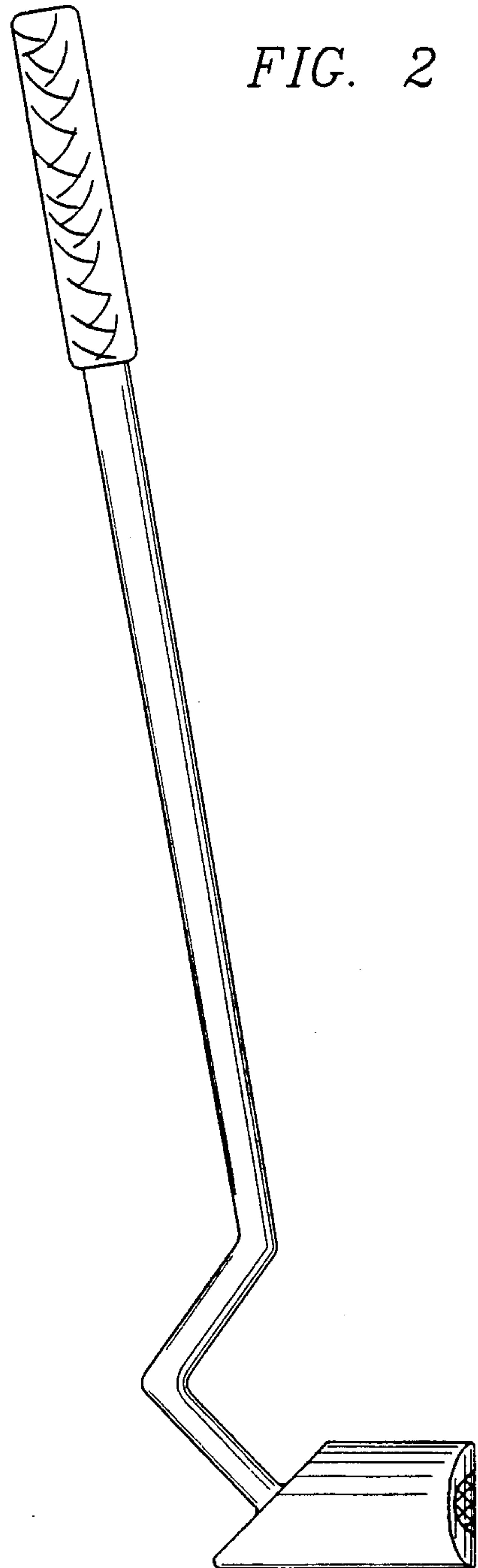


FIG. 3

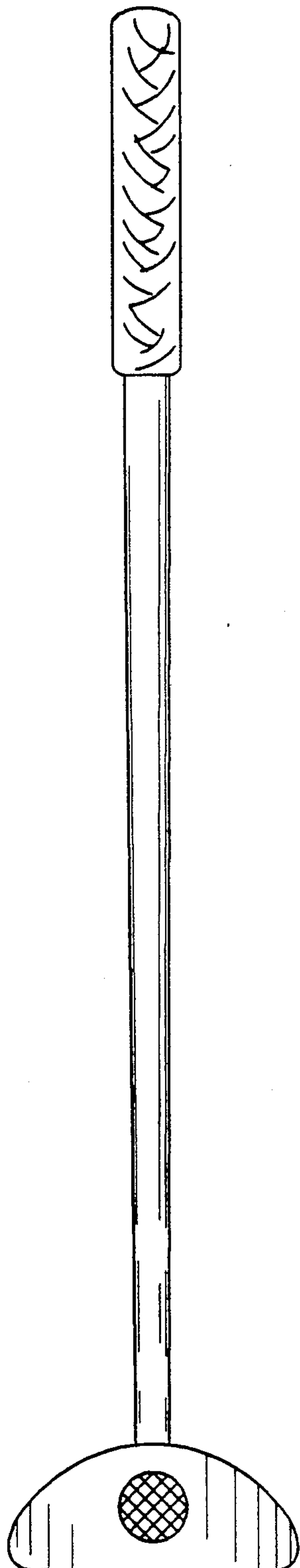


FIG. 4

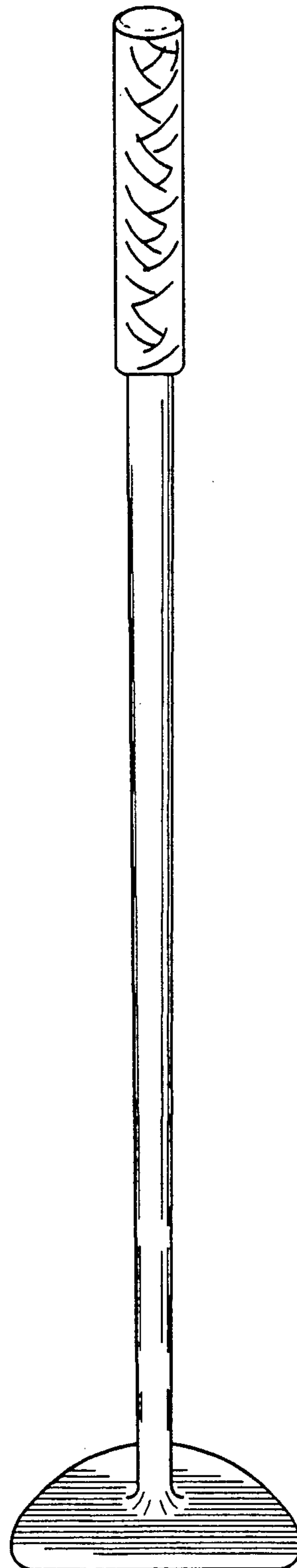


FIG. 5

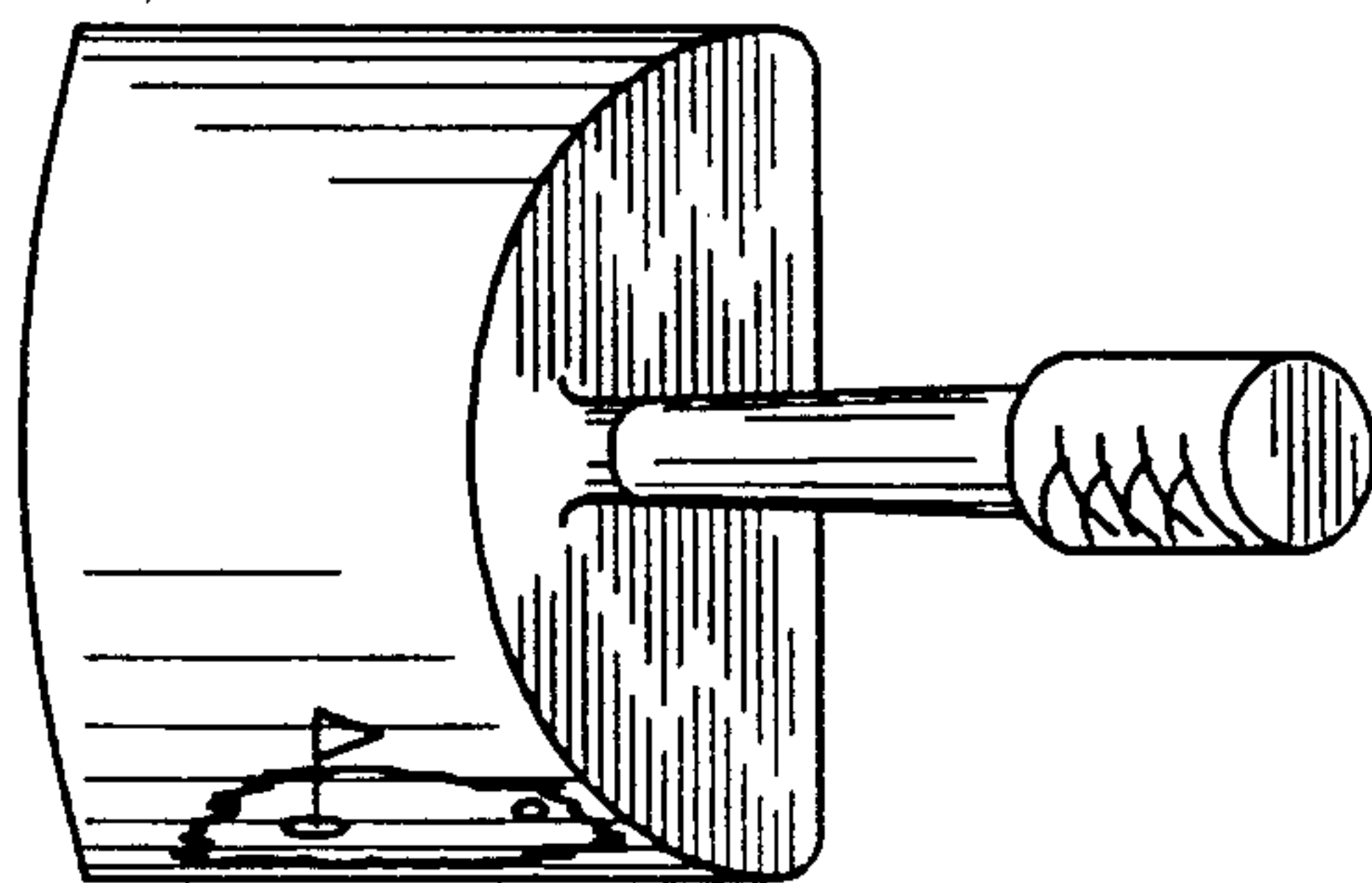


FIG. 6

