



US00D329887S

United States Patent [19]

[11] Patent Number: **Des. 329,887**

Yang

[45] Date of Patent: **** Sep. 29, 1992**

[54] **CLIMBING EXERCISER**

D. 324,089 2/1992 Miller D21/51
5,000,441 3/1991 Wang 482/51

[76] Inventor: **Lien C. Yang**, 11F. No. 149,
Roosevelt Rd. Sec. 3, Taipei, Taiwan

Primary Examiner—Charles A. Rademaker
Attorney, Agent, or Firm—Varndell Legal Group

[**] Term: **14 Years**

[57] **CLAIM**

[21] Appl. No.: **548,420**

The ornamental design for the climbing exerciser, as shown and described.

[22] Filed: **Jul. 5, 1990**

[52] U.S. Cl. **D21/195**

[58] Field of Search D21/191-199;
482/51, 66, 70, 52, DIG. 901

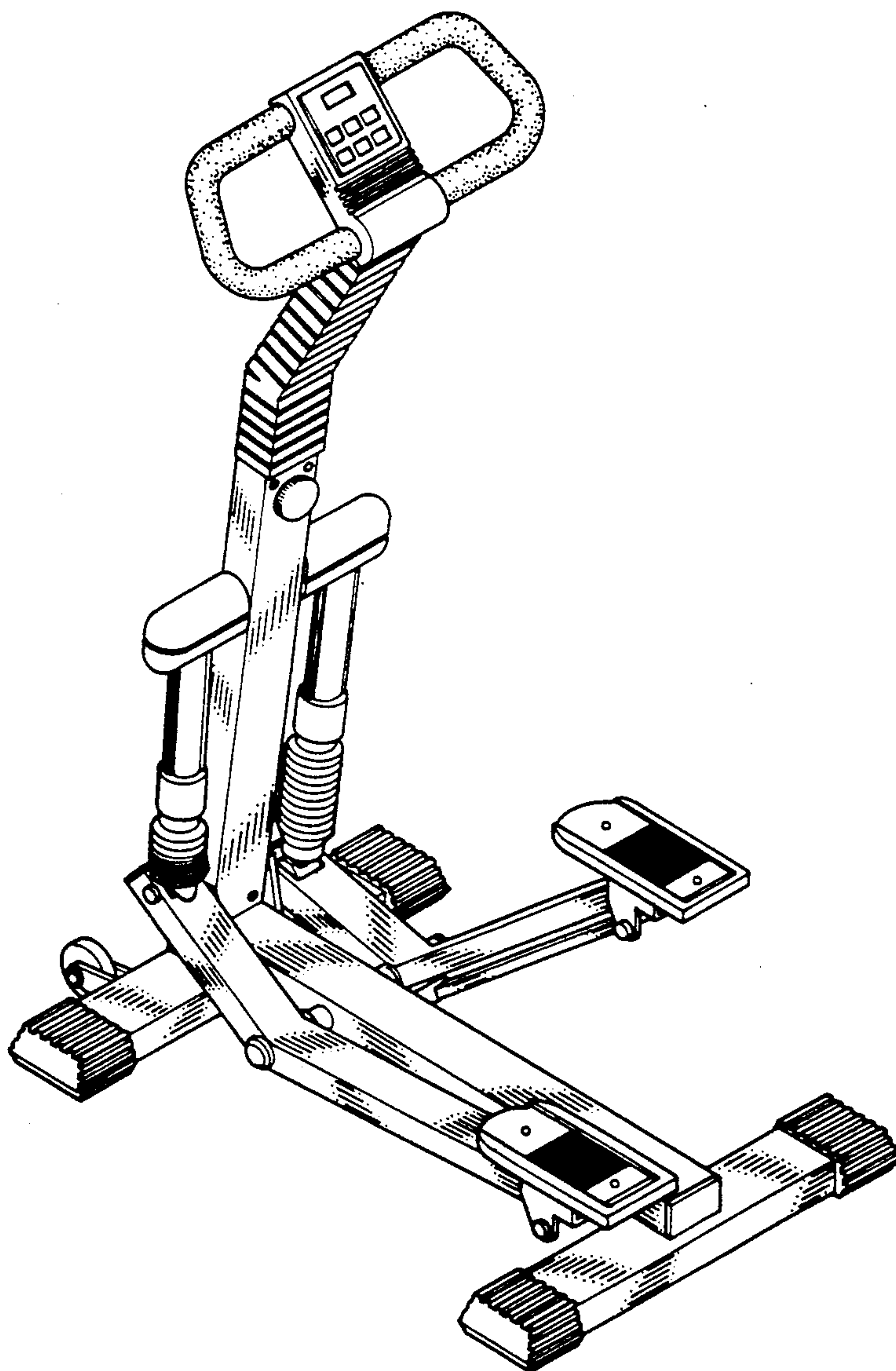
DESCRIPTION

[56] **References Cited**

U.S. PATENT DOCUMENTS

- D. 304,358 10/1989 Armstrong et al. D21/195
- D. 319,085 8/1991 Kuo et al. D21/195
- D. 321,229 10/1991 Dalton et al. D21/195

FIG. 1 is a perspective view of a climbing exerciser showing my new design;
FIG. 2 is a rear elevational view thereof;
FIG. 3 is a front elevational view thereof;
FIG. 4 is a right side elevational view thereof;
FIG. 5 is a left side elevational view thereof;
FIG. 6 is a top plan view thereof; and,
FIG. 7 is a bottom plan view thereof.



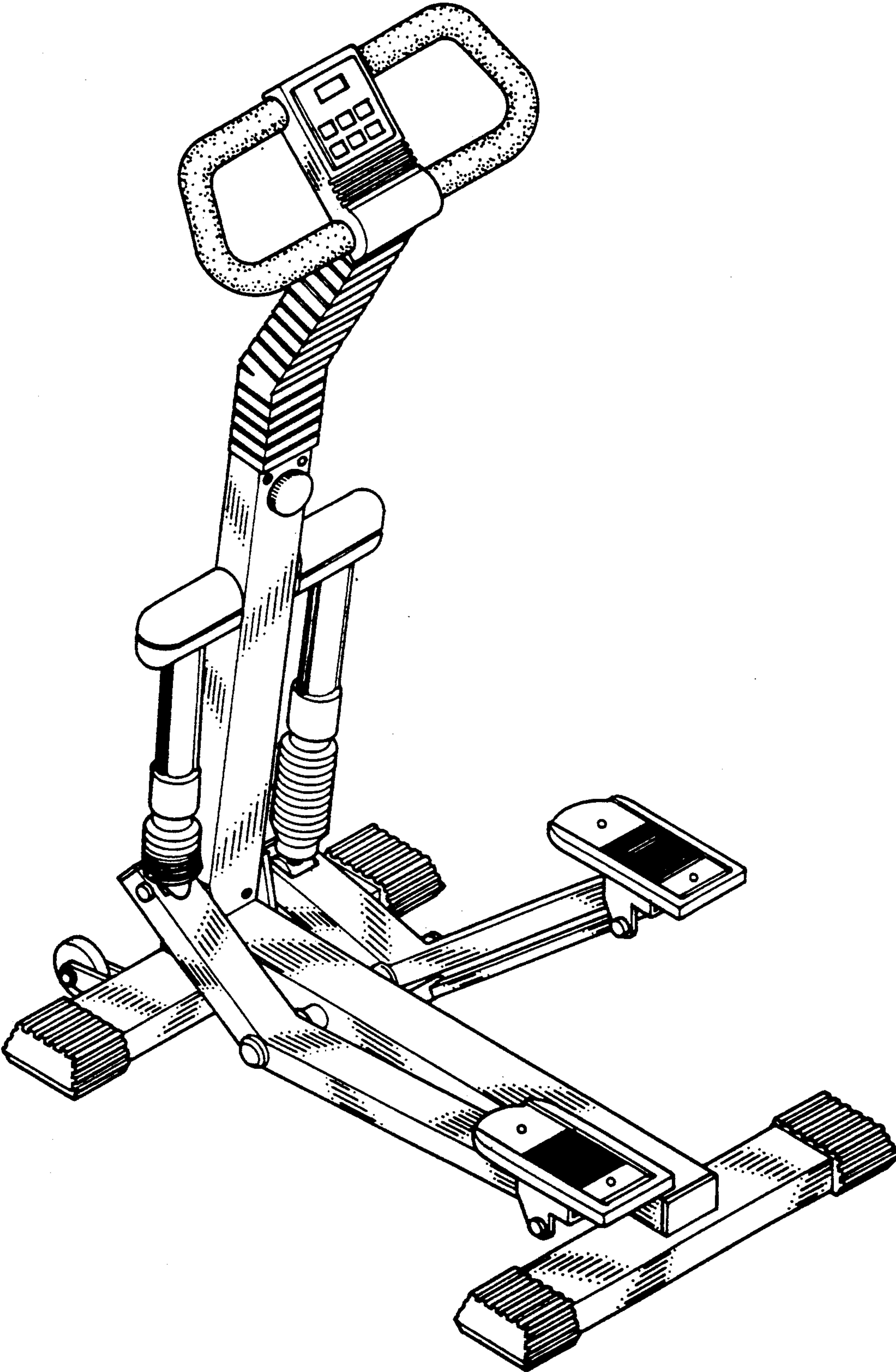


FIG. 1

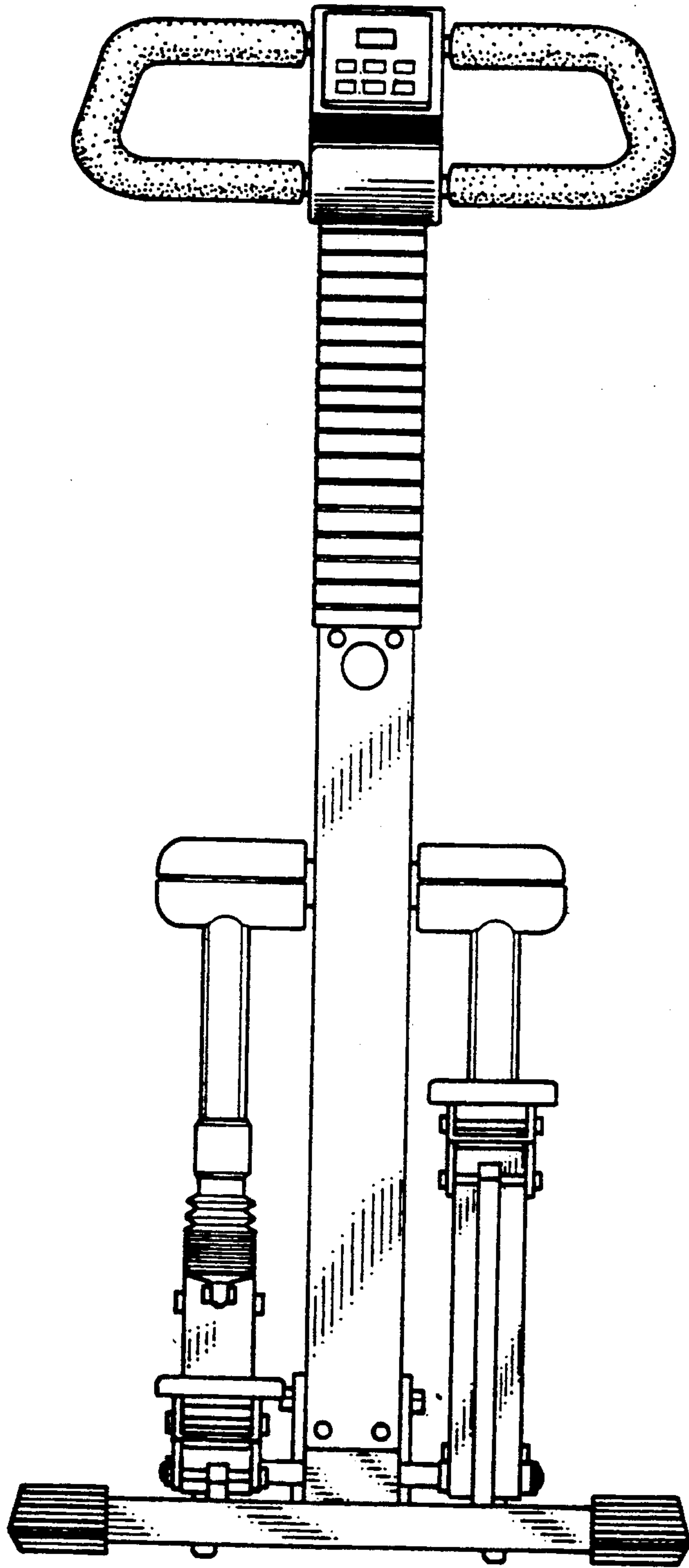


FIG. 2

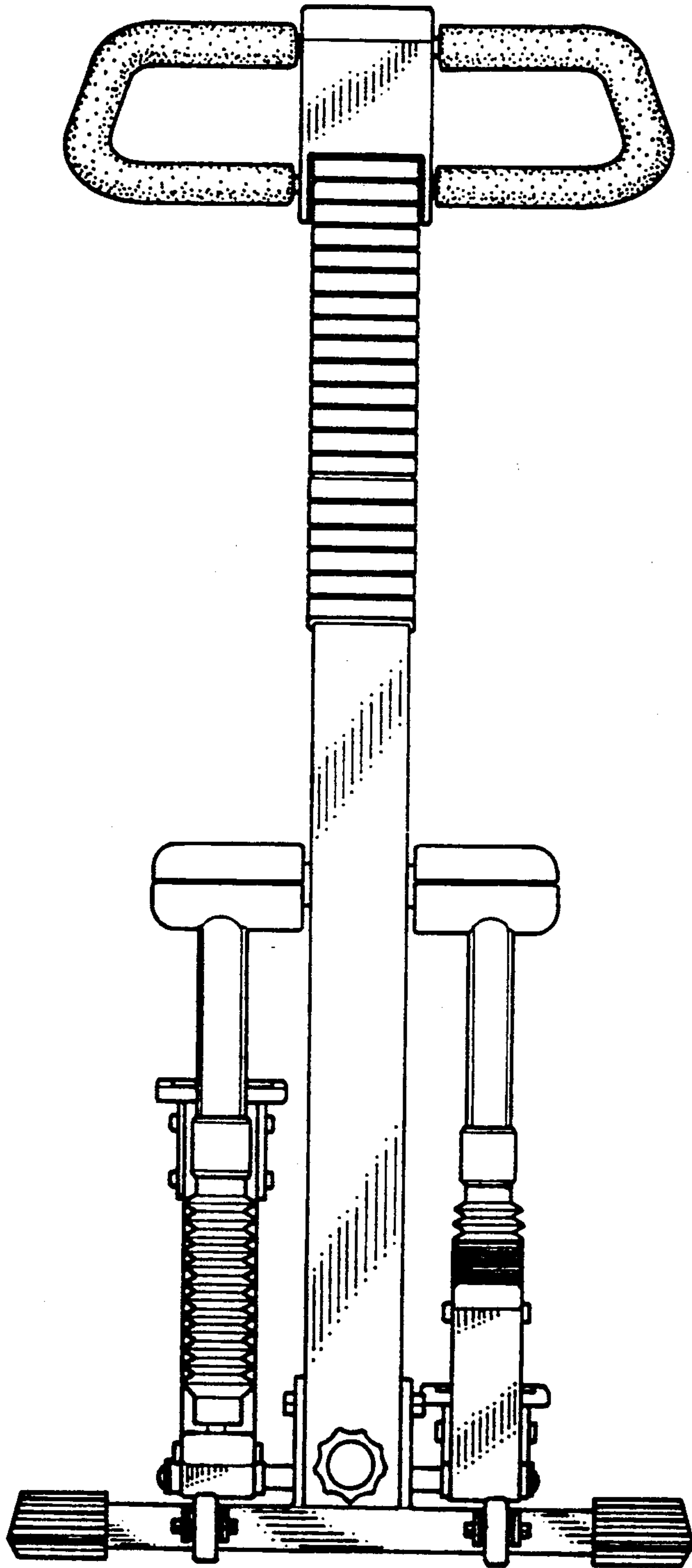


FIG. 3

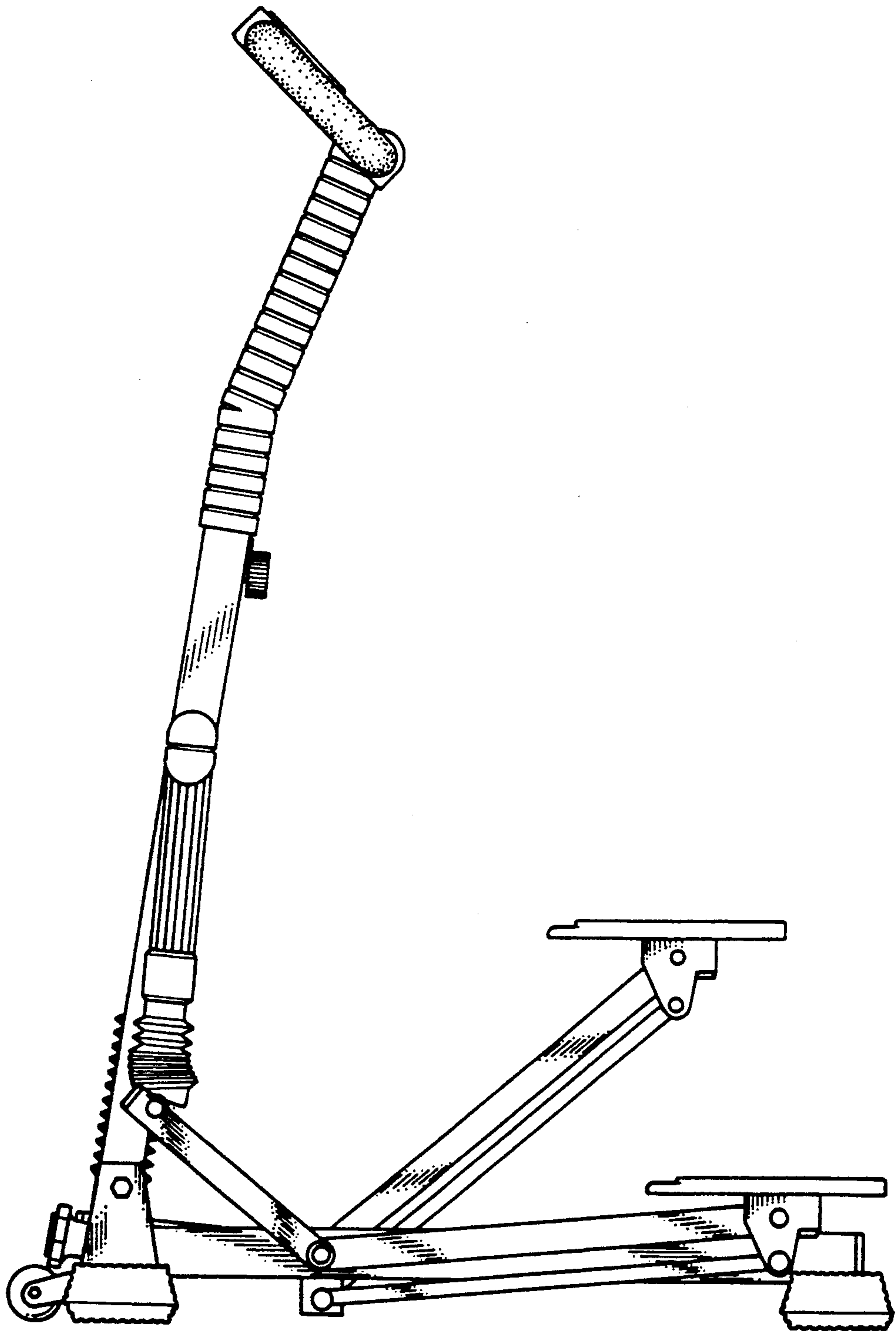


FIG. 4

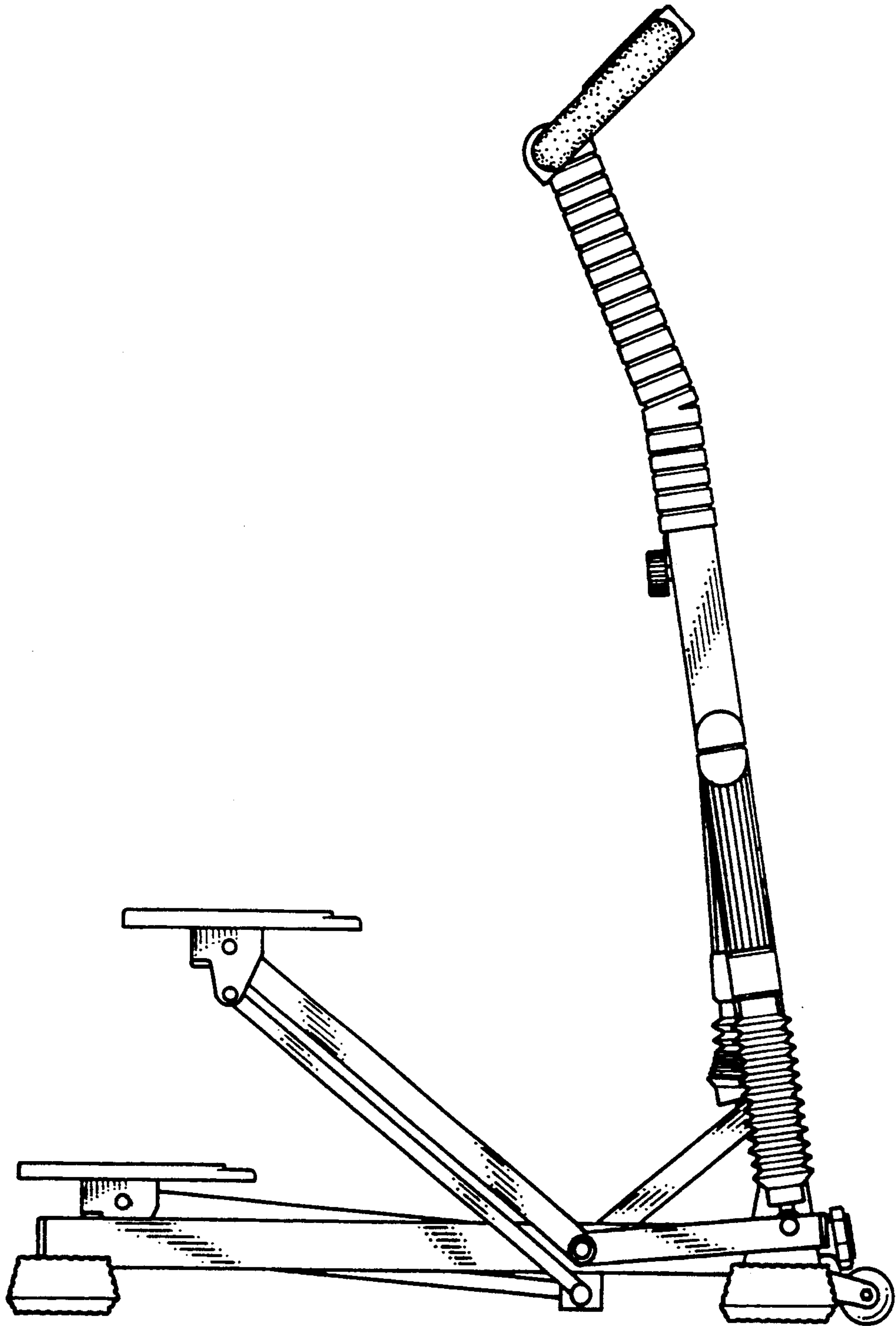


FIG. 5

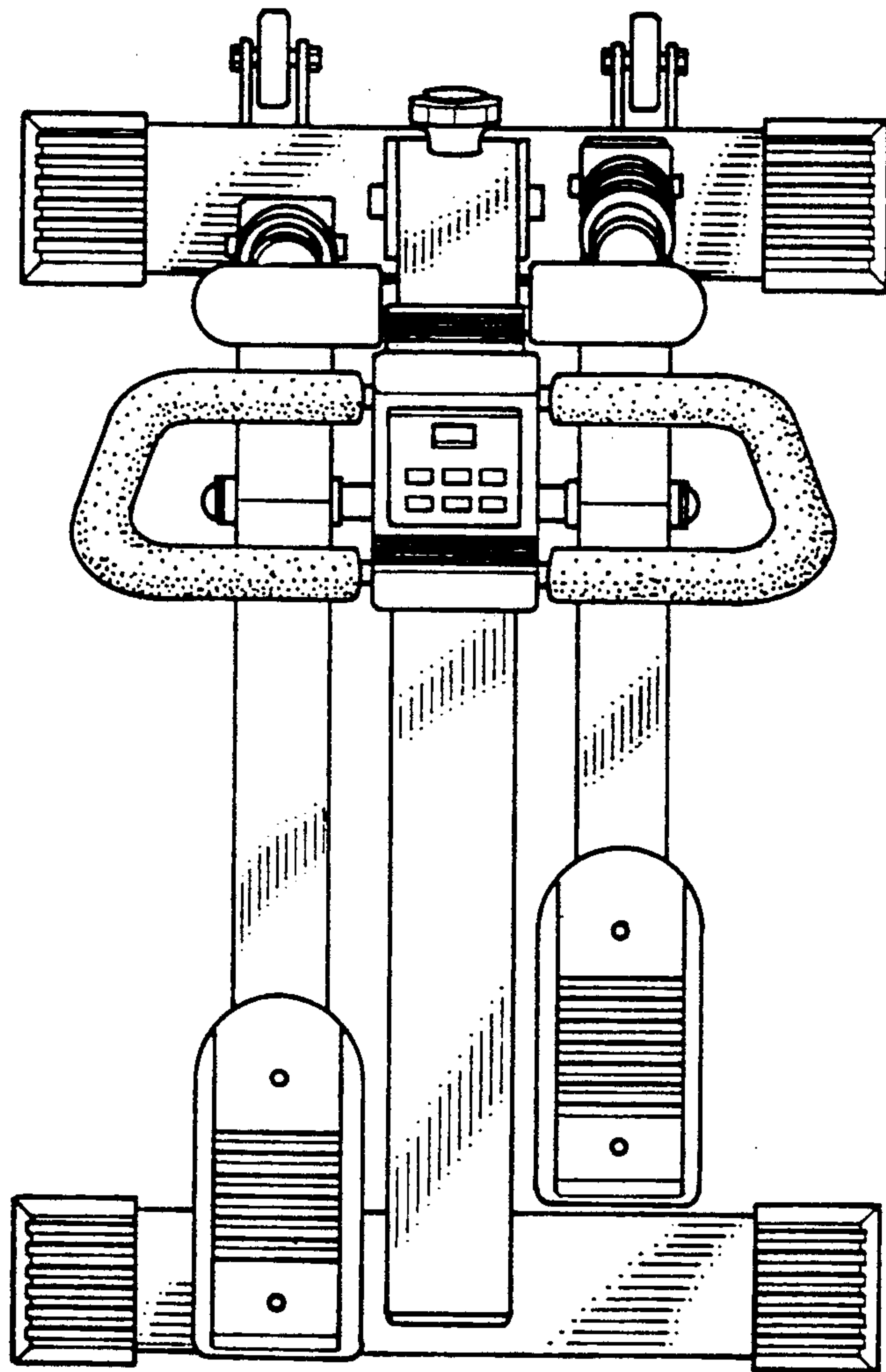


FIG. 6

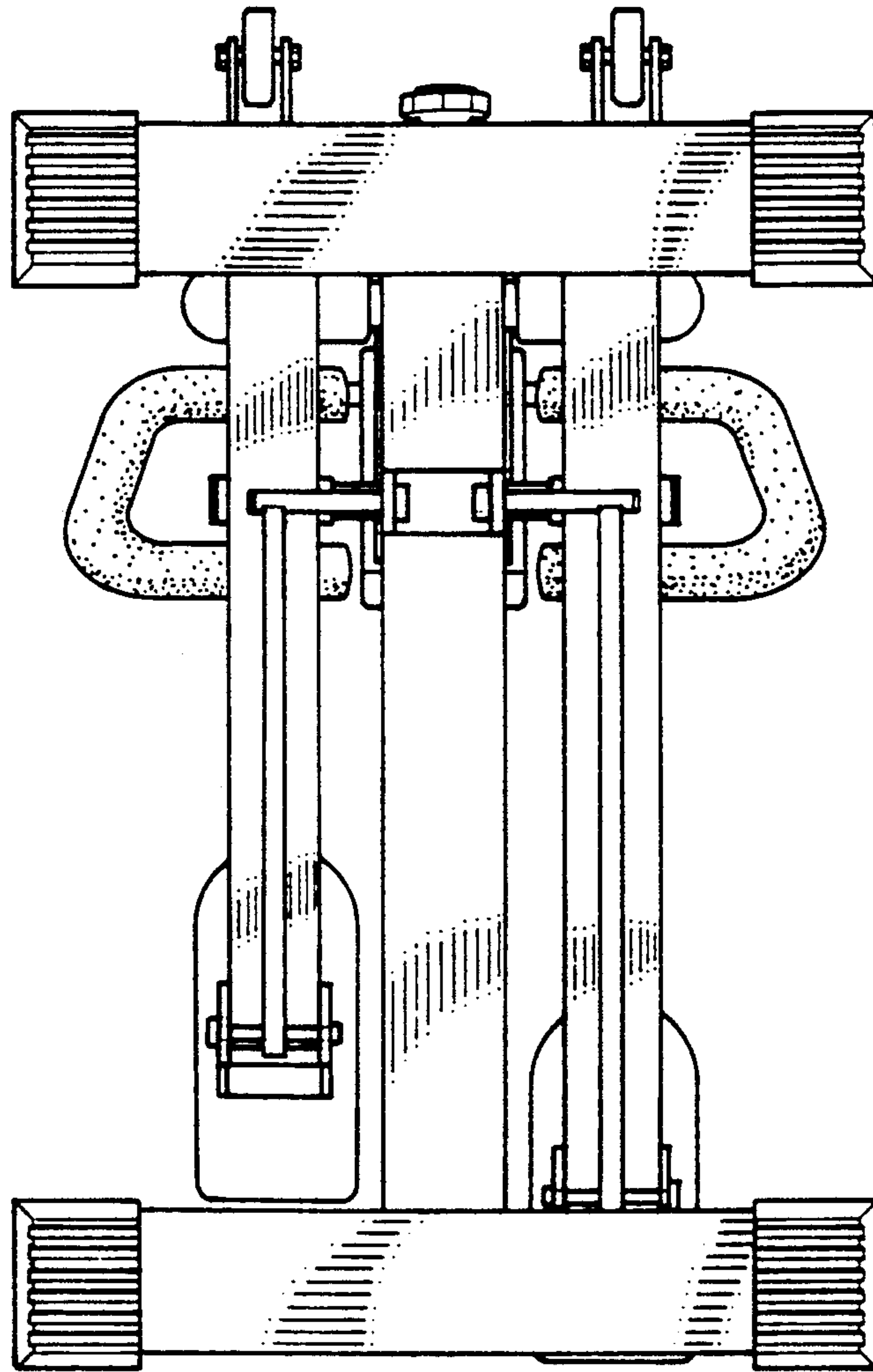


FIG. 7