



US00D329882S

United States Patent [19]

[11] Patent Number: **Des. 329,882**

Rasmussen

[45] Date of Patent: **** Sep. 29, 1992**

[54] HEAD FOR A TOY BUILDING SET

D. 305,926 2/1990 Butler D21/163
5,000,713 3/1991 Cheng 446/128

[75] Inventor: **Erik H. Rasmussen**, Kokkedal, Denmark

Primary Examiner—Bernard Ansher
Assistant Examiner—R. Barkai
Attorney, Agent, or Firm—Kane, Dalsimer, Sullivan, Kurucz, Levy, Eisele and Richard

[73] Assignee: **Interlego A.G.**, Baar, Switzerland

[**] Term: **14 Years**

[57] **CLAIM**

[21] Appl. No.: **621,942**

The ornamental design for a head for a toy building set, as shown and described.

[22] Filed: **Dec. 4, 1990**

[52] U.S. Cl. **D21/108**

[58] Field of Search D21/10.8, 148, 159, D21/161, 163, 166, 168, 187; 446/97, 101, 128

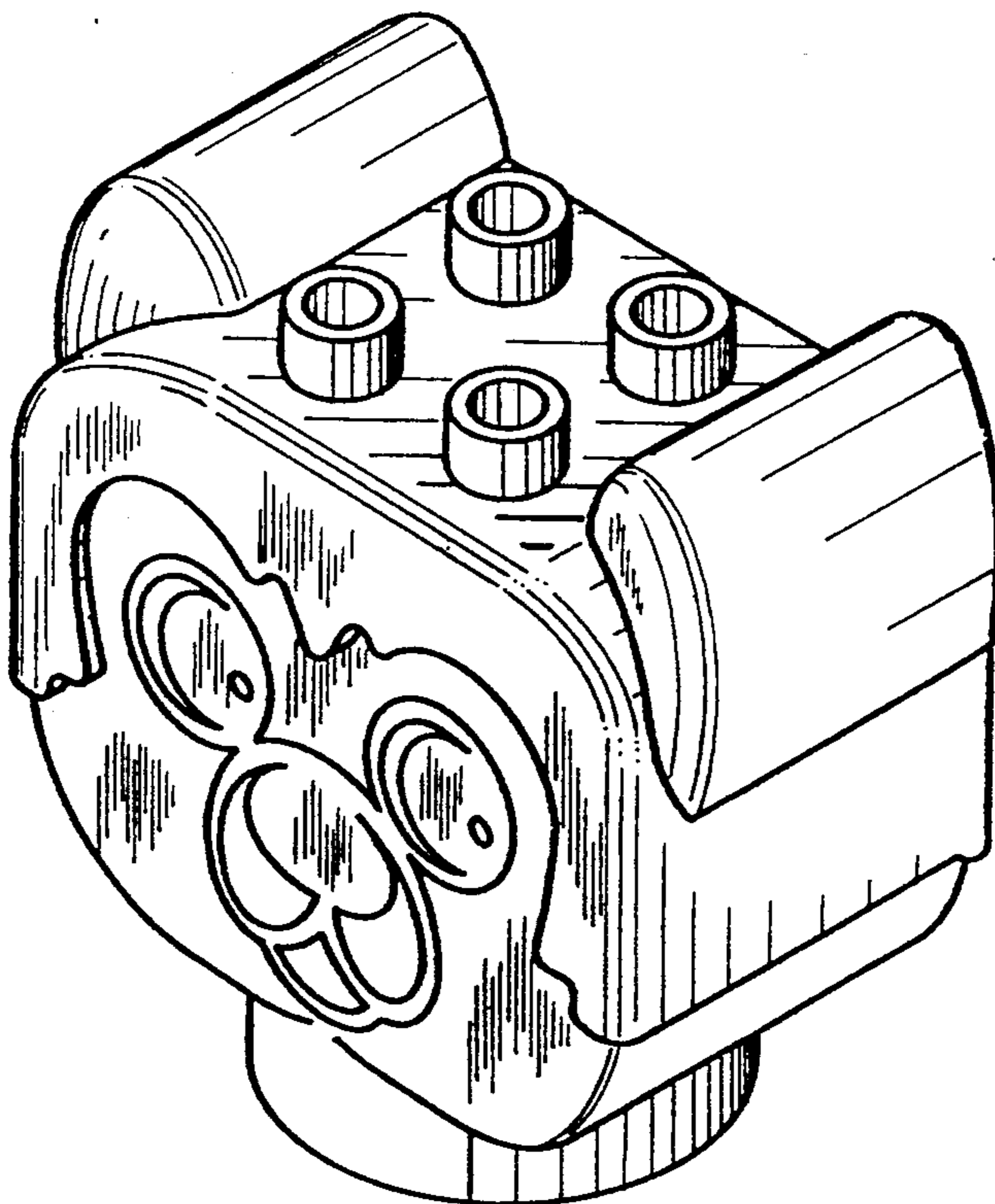
DESCRIPTION

[56] **References Cited**

U.S. PATENT DOCUMENTS

- D. 248,172 6/1978 Tapdrup D21/161
- D. 285,225 8/1986 Tapdrup D21/108
- D. 301,499 6/1989 Tapdrup D21/163
- D. 301,500 6/1989 Tapdrup D21/163

FIG. 1 is a top perspective view of a head for a toy building set showing my new design;
FIG. 2 is a front elevational view thereof;
FIG. 3 is a side elevational view thereof, the other side being a mirror image;
FIG. 4 is a rear elevational view thereof;
FIG. 5 is a top plan view thereof; and,
FIG. 6 is a bottom plan view thereof.



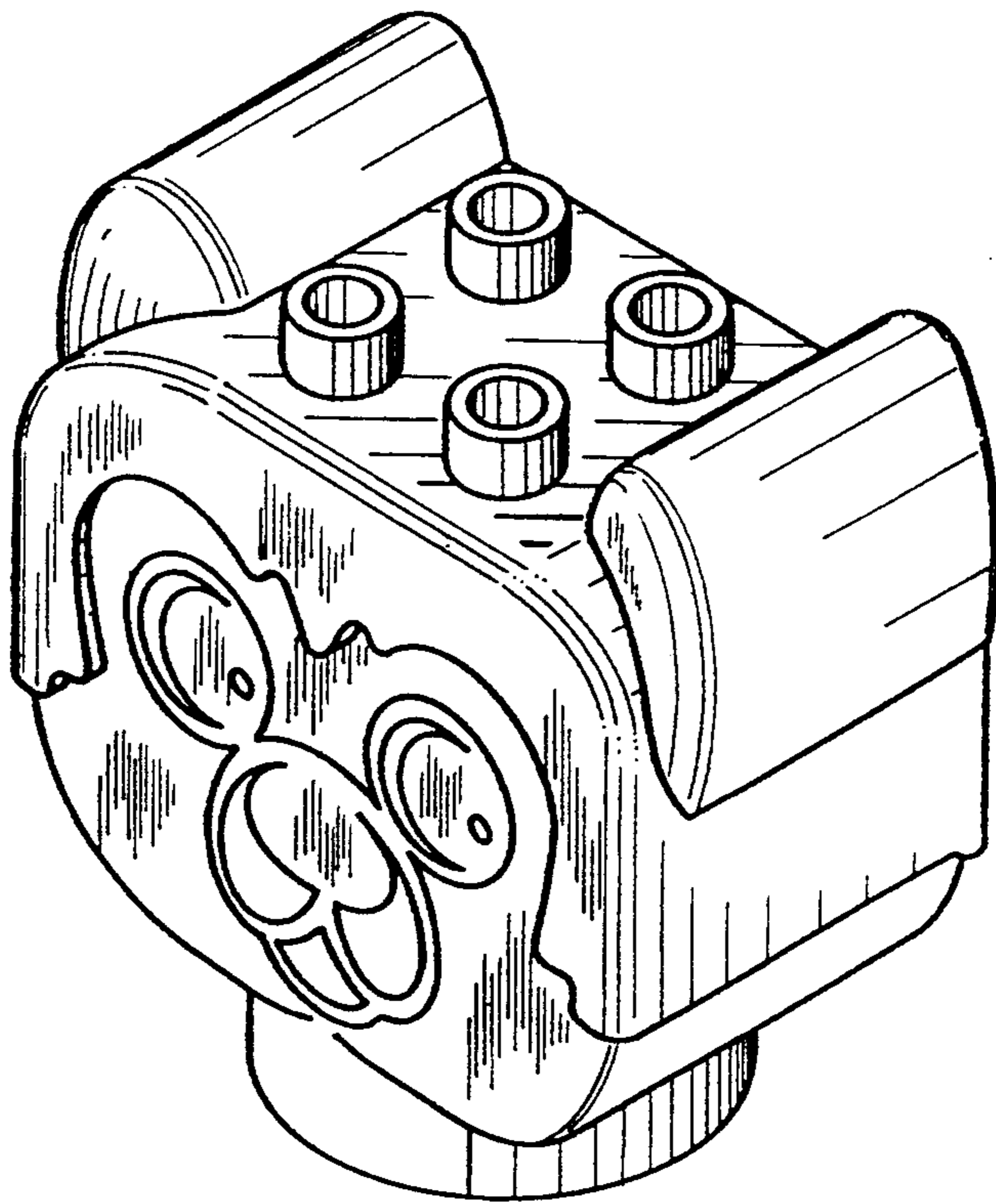


FIG. 1

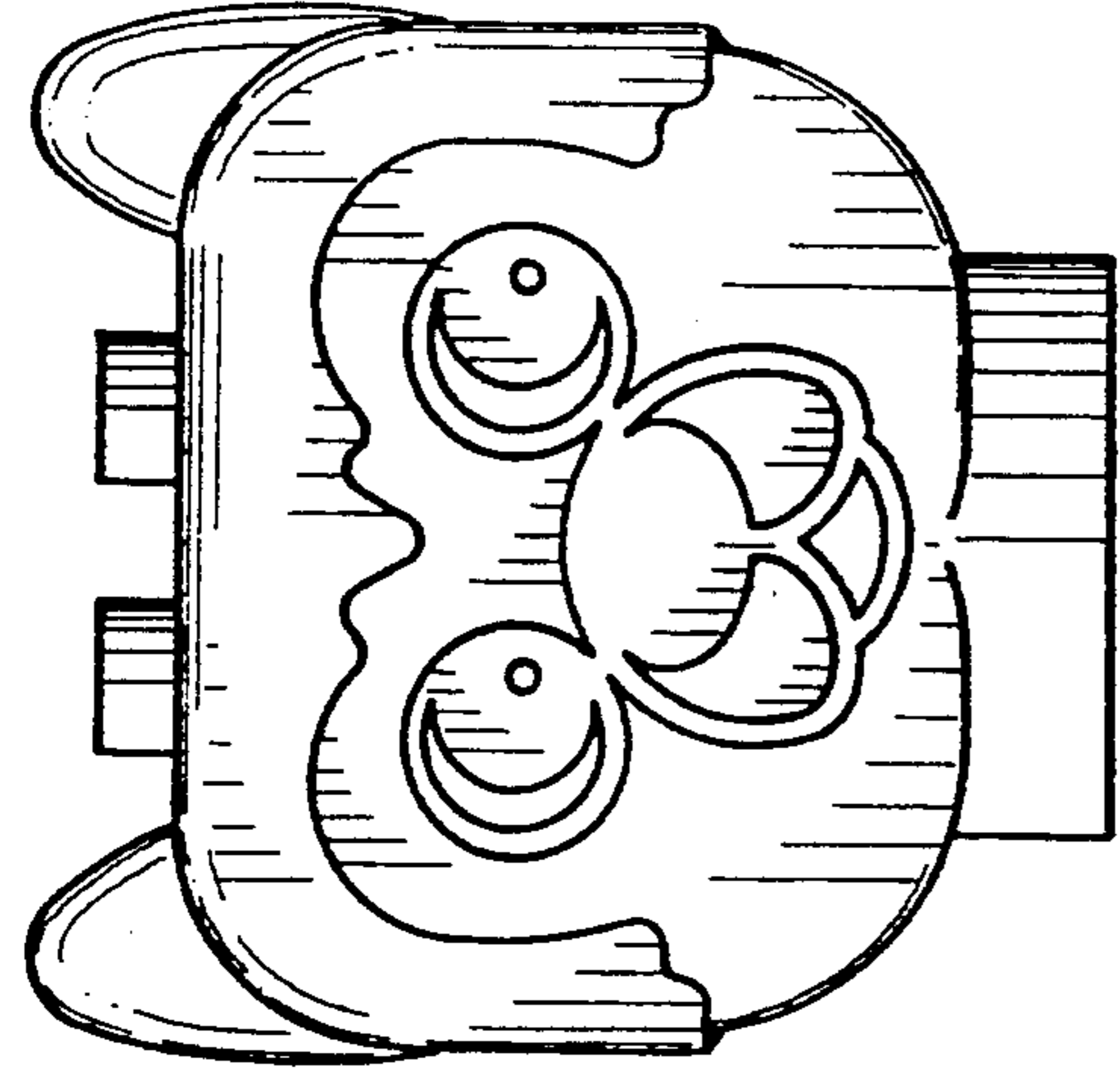


FIG. 2

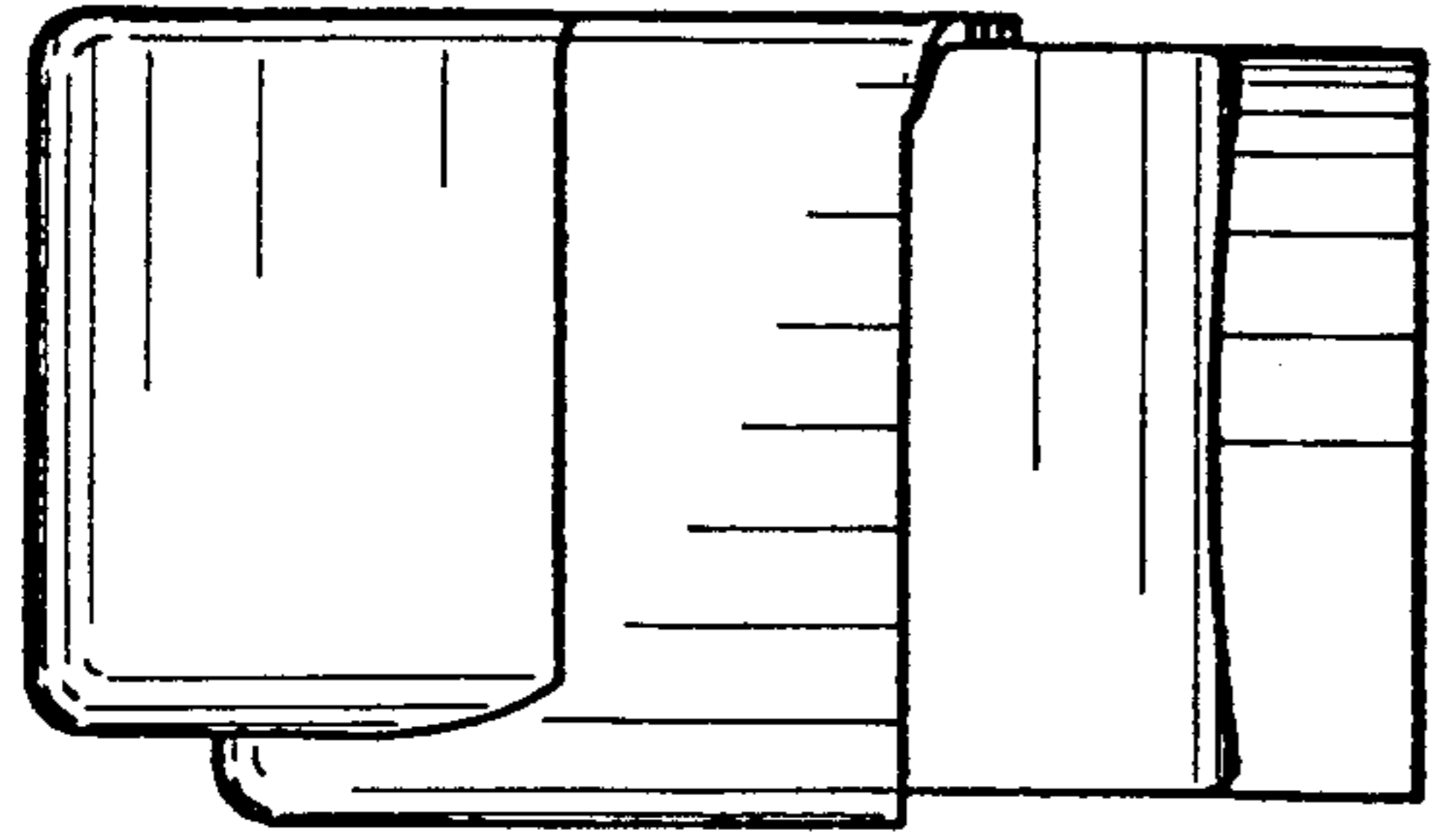


FIG. 3

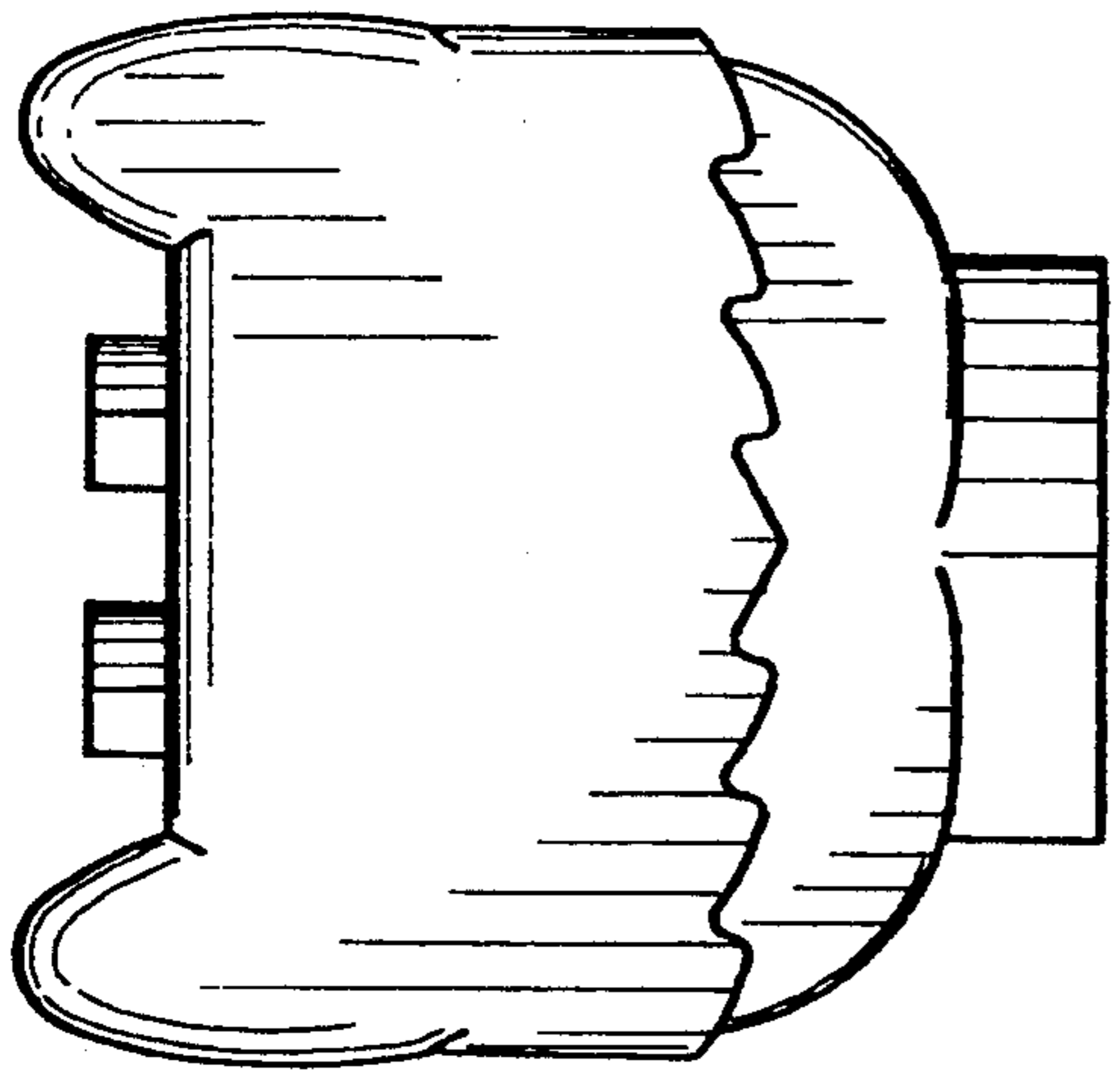


FIG. 4

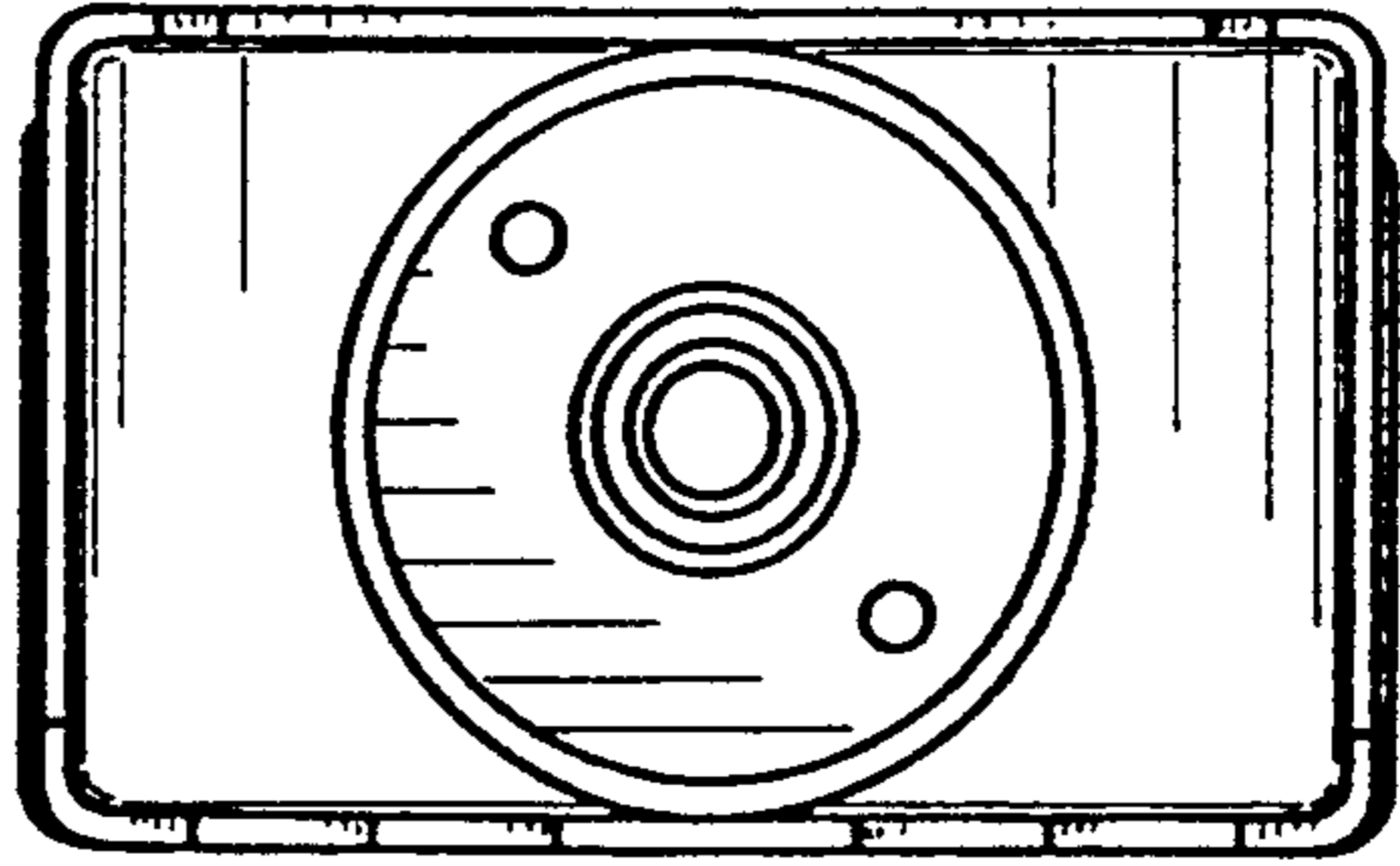


FIG. 6

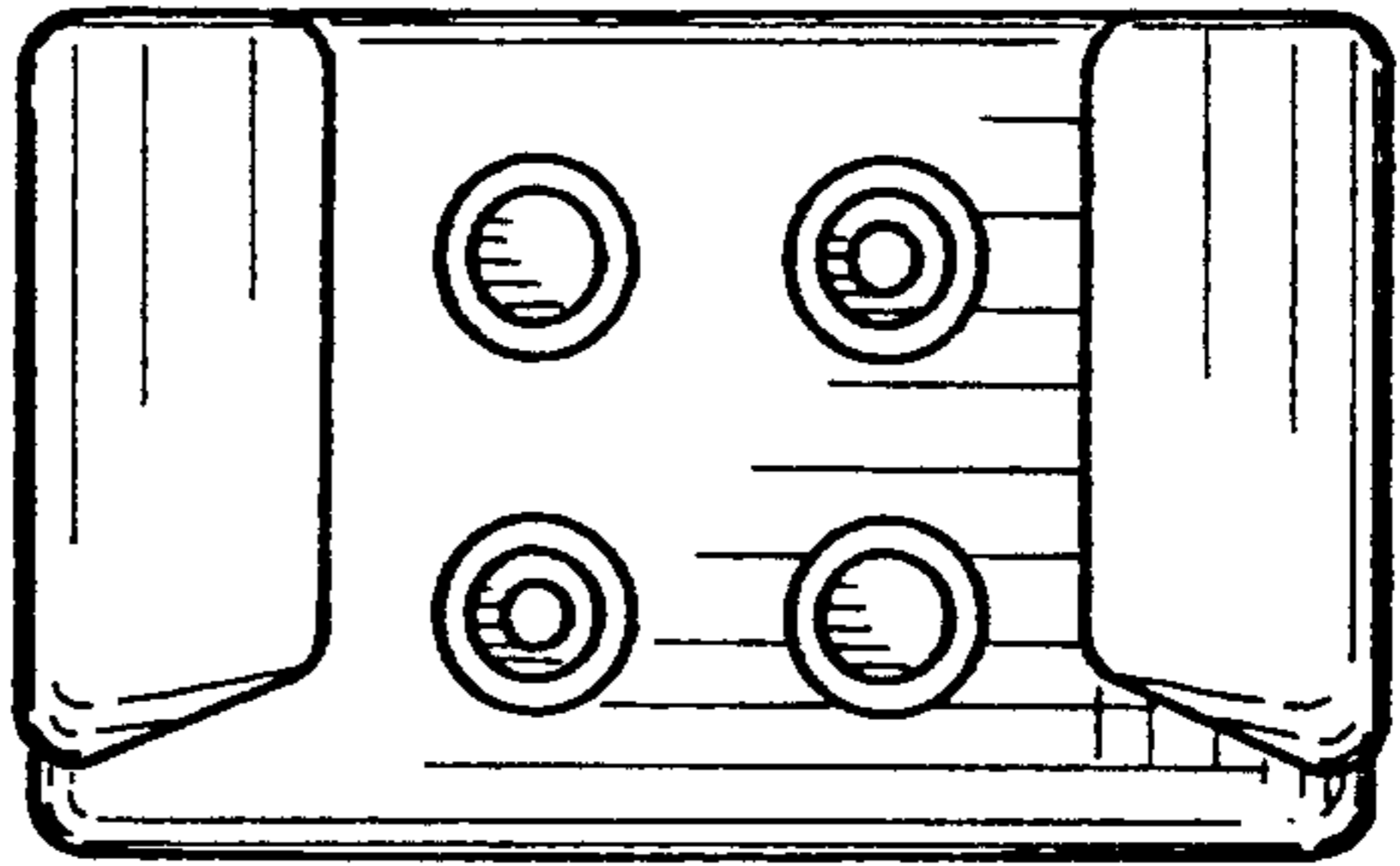


FIG. 5