



US00D329881S

United States Patent [19]
Spangsberg

[11] **Patent Number: Des. 329,881**
[45] **Date of Patent: ** Sep. 29, 1992**

[54] **ELEMENT FOR A TOY BUILDING SET**

[75] **Inventor: Stig Alexander M. Spangsberg, Vejle, Denmark**

[73] **Assignee: Interlego A.G., Baar, Switzerland**

[**] **Term: 14 Years**

[21] **Appl. No.: 621,915**

[22] **Filed: Dec. 4, 1990**

[52] **U.S. Cl. D21/108**

[58] **Field of Search D21/108, 124; D8/382; 446/122, 123, 124, 128**

[56] **References Cited**

U.S. PATENT DOCUMENTS

D. 208,789	10/1967	Kuhn	D21/108
D. 233,680	11/1974	Christiansen	D21/108
D. 295,993	5/1988	Knudsen	D21/108
4,728,310	3/1988	Valtolina	446/118

FOREIGN PATENT DOCUMENTS

614246 12/1948 United Kingdom 446/123

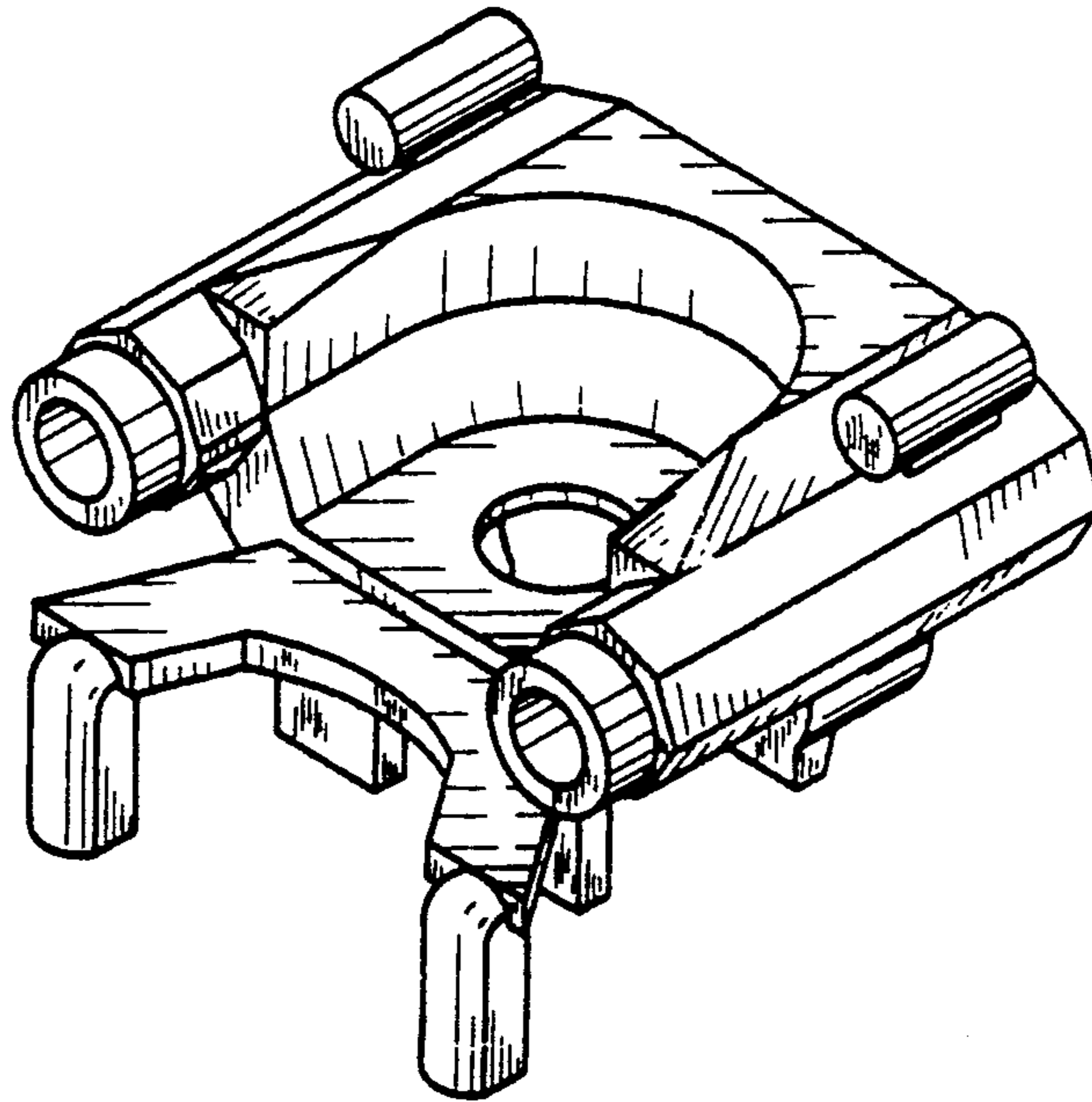
Primary Examiner—Bernard Ansher
Assistant Examiner—R. Barkai
Attorney, Agent, or Firm—Kane, Dalsimer, Sullivan, Kurucz, Levy, Eisele and Richard

[57] **CLAIM**

The ornamental design for an element for a toy building set, as shown and described.

DESCRIPTION

FIG. 1 is a top perspective view of an element for a toy building set showing my new design;
FIG. 2 is a front elevational view thereof;
FIG. 3 is a right side elevational view thereof, the left side elevational view being a mirror image;
FIG. 4 is a rear elevational view thereof;
FIG. 5 is a top plan view thereof; and,
FIG. 6 is a bottom plan view thereof.



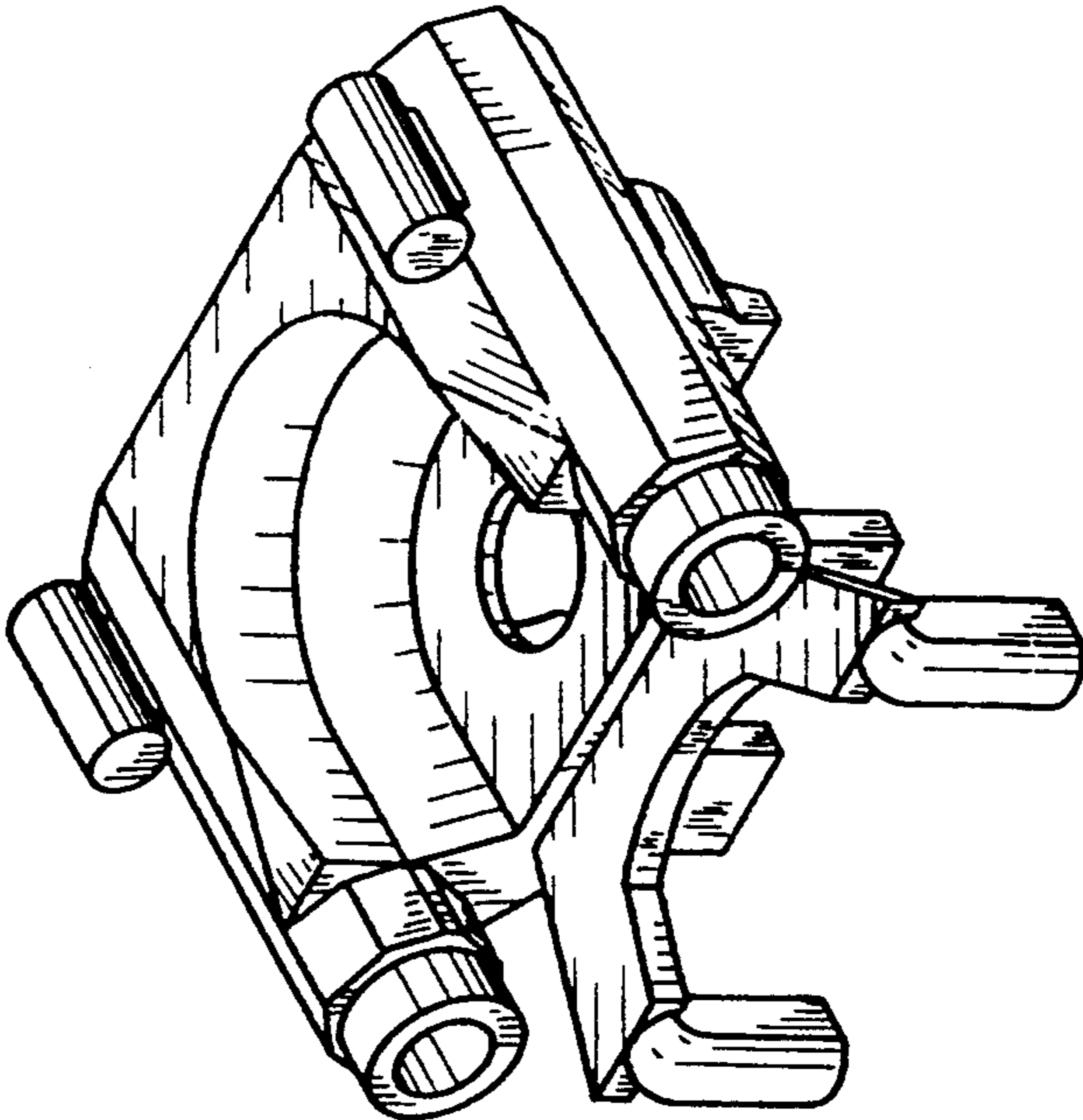


FIG. 1

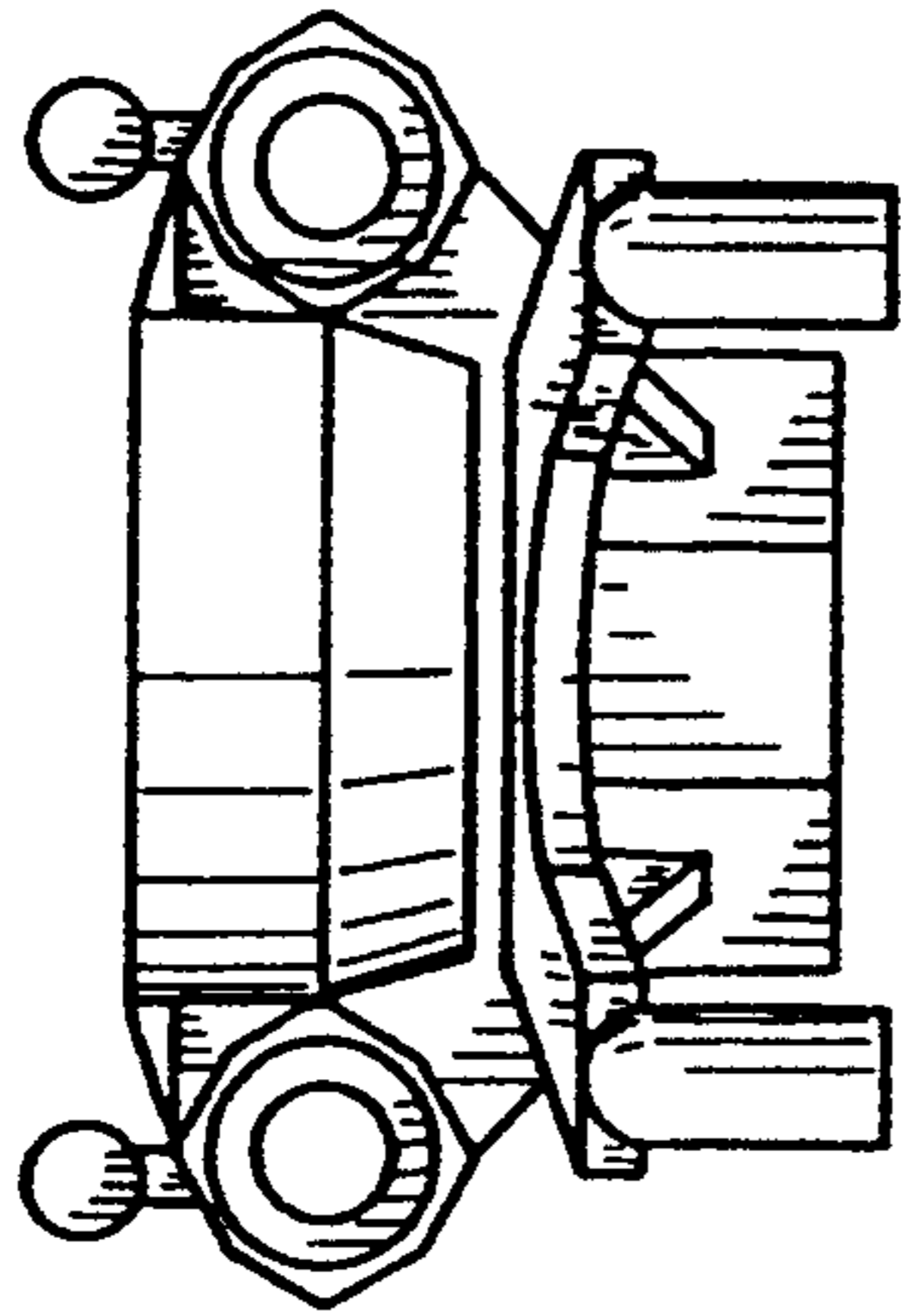


FIG. 2

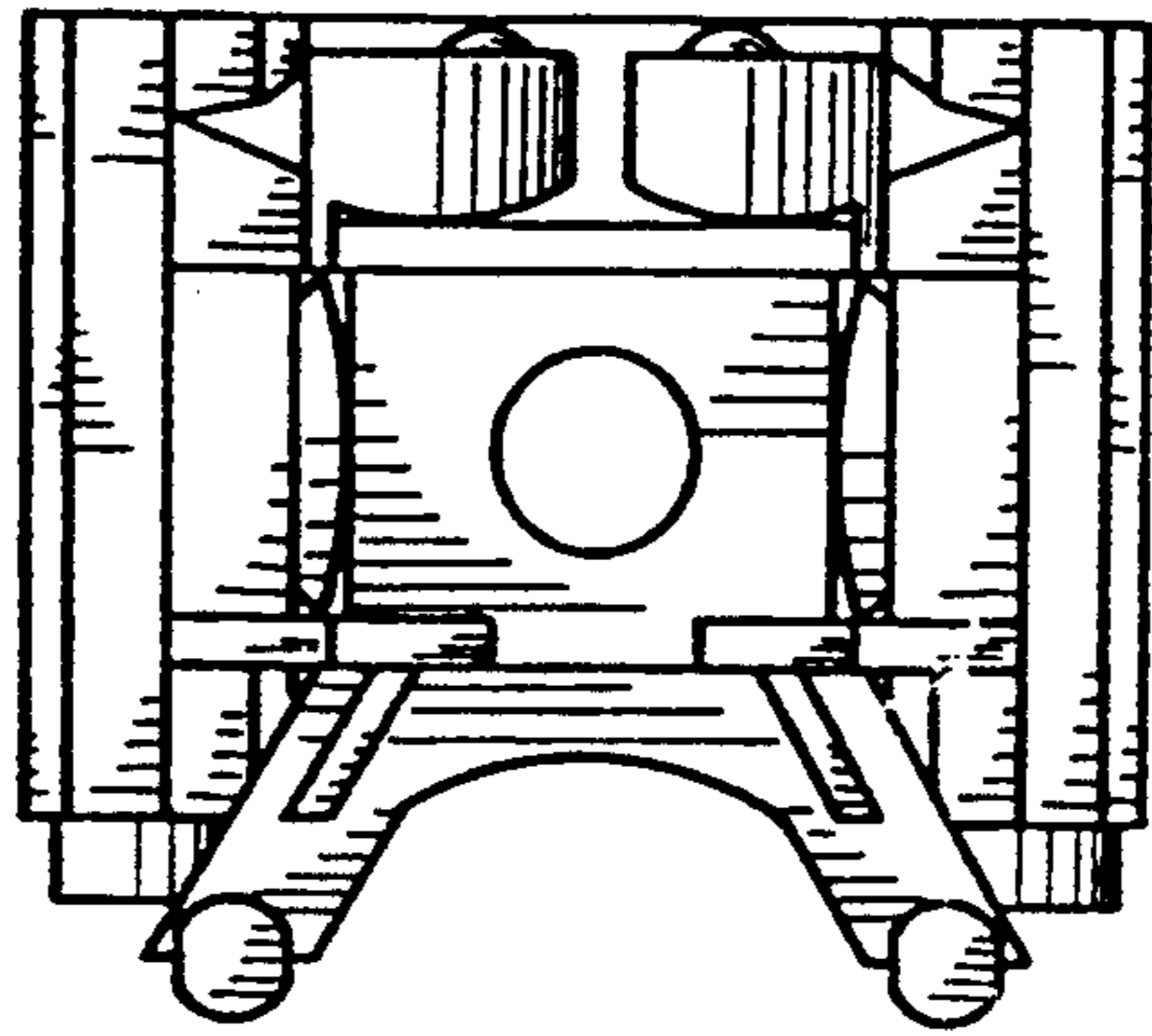


FIG. 6

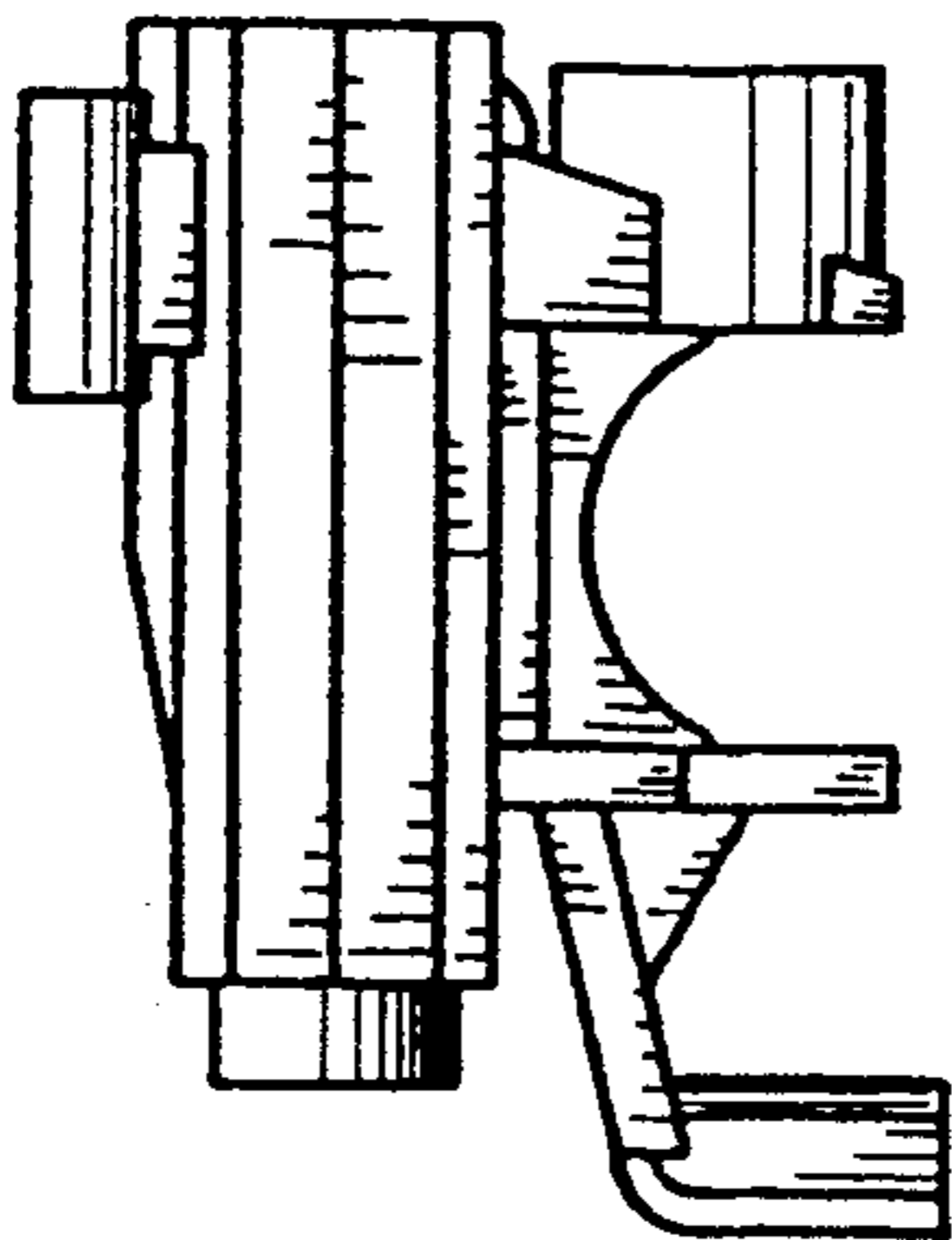


FIG. 3

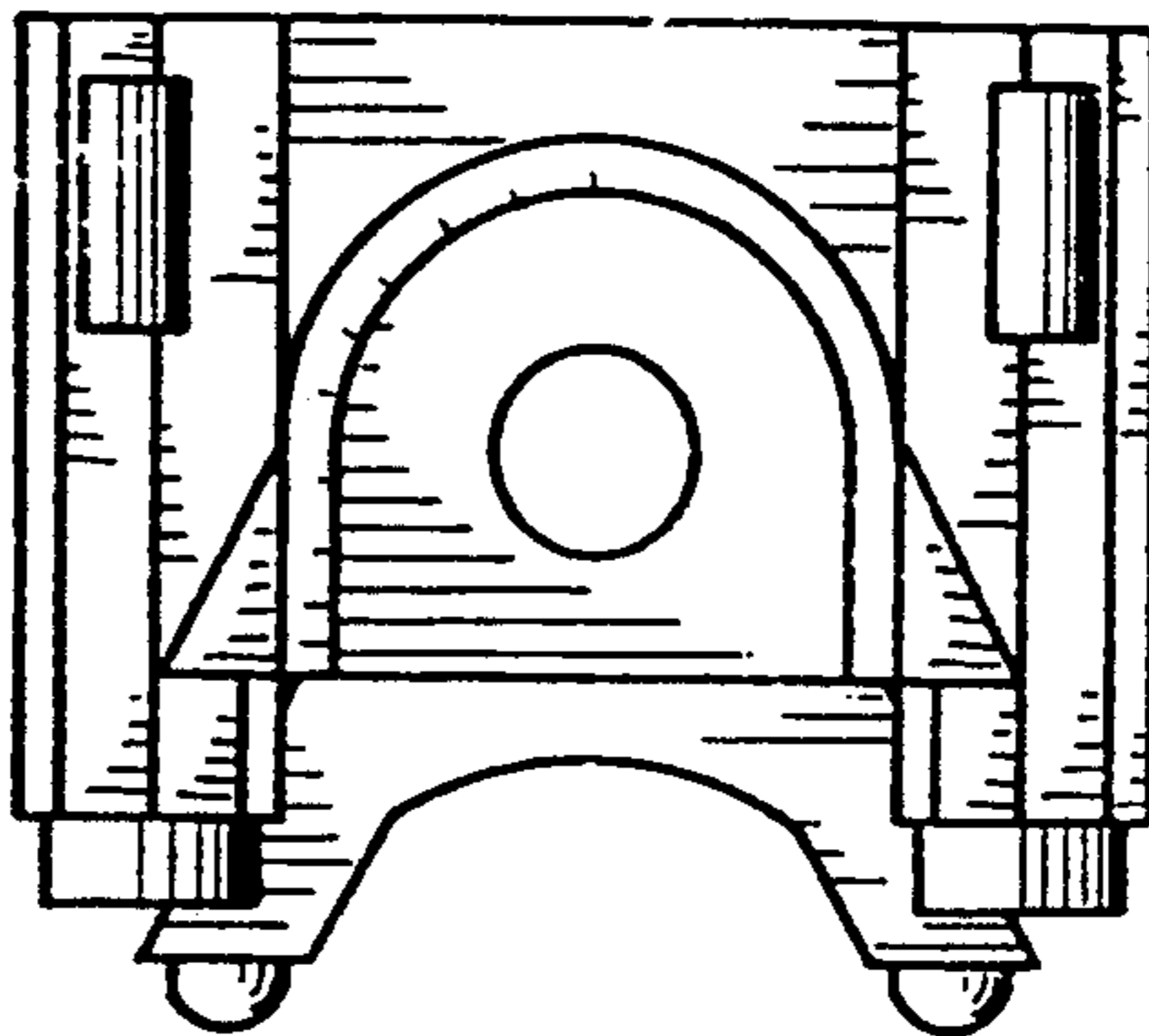


FIG. 5

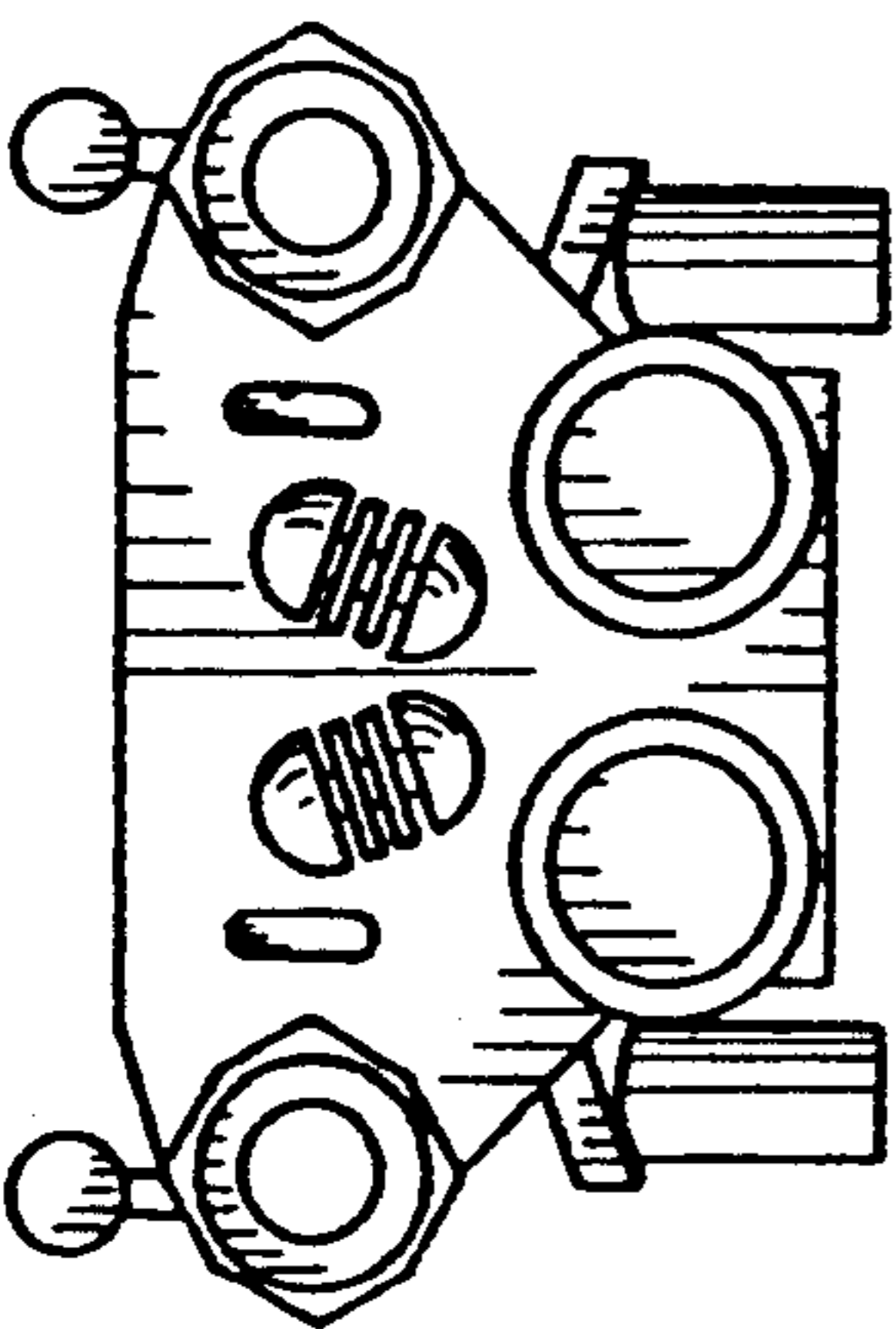


FIG. 4