



US00D329879S

United States Patent [19]

[11] Patent Number: **Des. 329,879**

Chern

[45] Date of Patent: **** Sep. 29, 1992**

[54] **SLIDING BLOCK GAME**

4,461,483 7/1984 Kopp 273/265
4,546,981 10/1985 Elizondo 273/284

[76] Inventor: **Gwo-Hwa Chern**, No. 8-3, Alley 16,
Lane 140, Shih Chuan Rd., Sec. 2,
Pan chiao, Taipei Hsien, Taiwan

OTHER PUBLICATIONS

Popular Mechanics No. 1962 p. 151, pic on upper right.

[**] Term: **14 Years**

Primary Examiner—Bernard Ansher
Assistant Examiner—Sandra Morris
Attorney, Agent, or Firm—Lowe, Price, LeBlanc &
Becker

[21] Appl. No.: **296,715**

[22] Filed: **Jan. 13, 1989**

[52] U.S. Cl. **D21/14**

[57] CLAIM

[58] Field of Search **D21/14-36;**
273/236-285; 474/283, 284, 287, 195, 208, 209;
D19/59, 60, 62

A new original design for a sliding block, as shown and described.

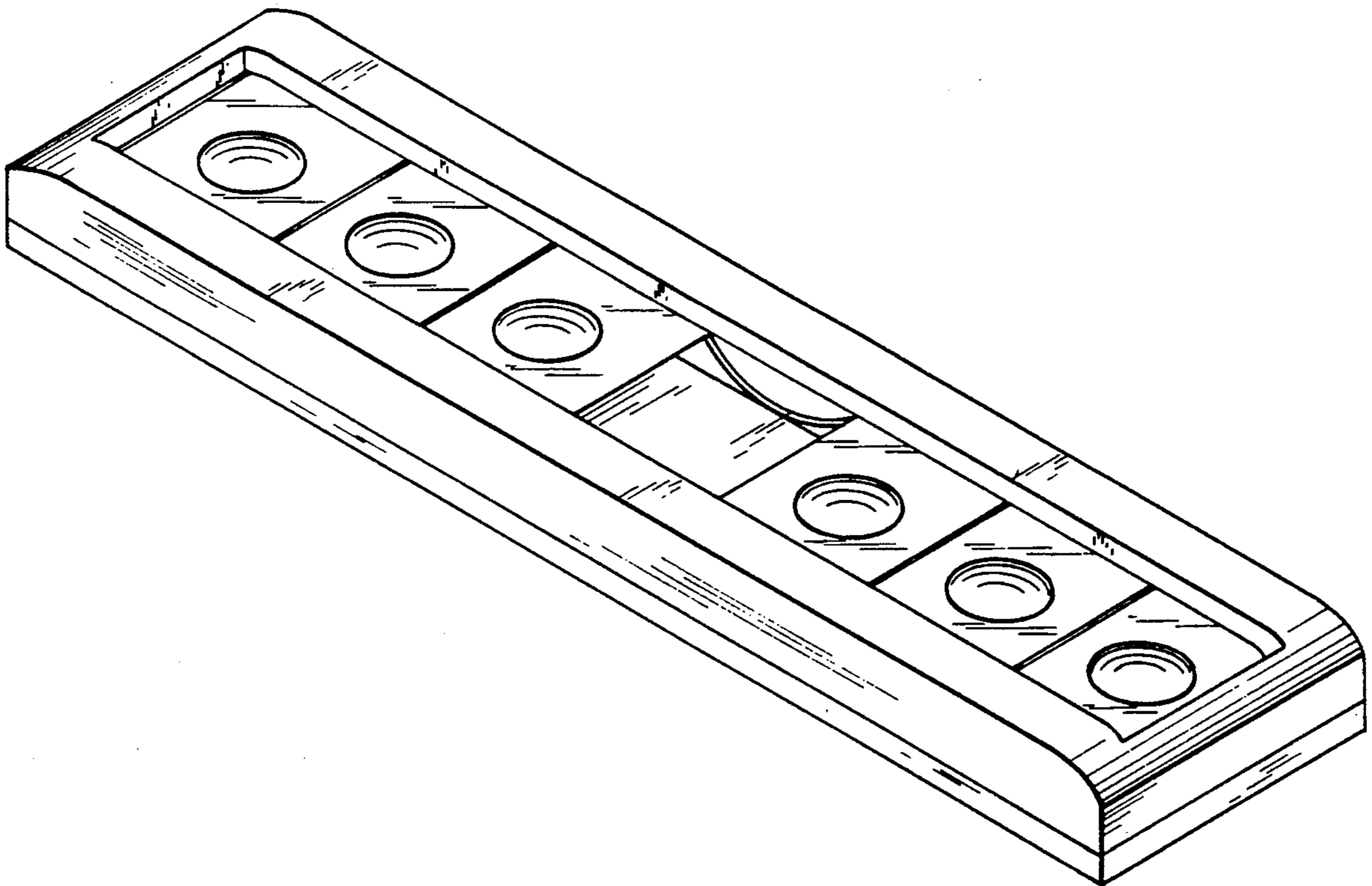
DESCRIPTION

[56] References Cited

U.S. PATENT DOCUMENTS

| | | | |
|------------|---------|--------------------|---------|
| D. 231,357 | 4/1974 | Meyers et al. | D19/62 |
| 1,183,570 | 5/1916 | Kneeshaw | 434/195 |
| 2,017,473 | 10/1935 | Reimert | 273/281 |
| 2,720,362 | 10/1955 | Champion | 273/242 |
| 3,420,525 | 1/1969 | Waders | 273/284 |
| 4,381,112 | 4/1983 | Dupuy | 273/271 |

FIG. 1 is the perspective view of a sliding block game, showing my new design;
FIG. 2 is the front elevational view thereof;
FIG. 3 is the rear elevational view thereof;
FIG. 4 is a top plan view thereof;
FIG. 5 is a bottom plan view thereof;
FIG. 6 is a left side elevational view thereof; and,
FIG. 7 is a right side elevational view thereof.



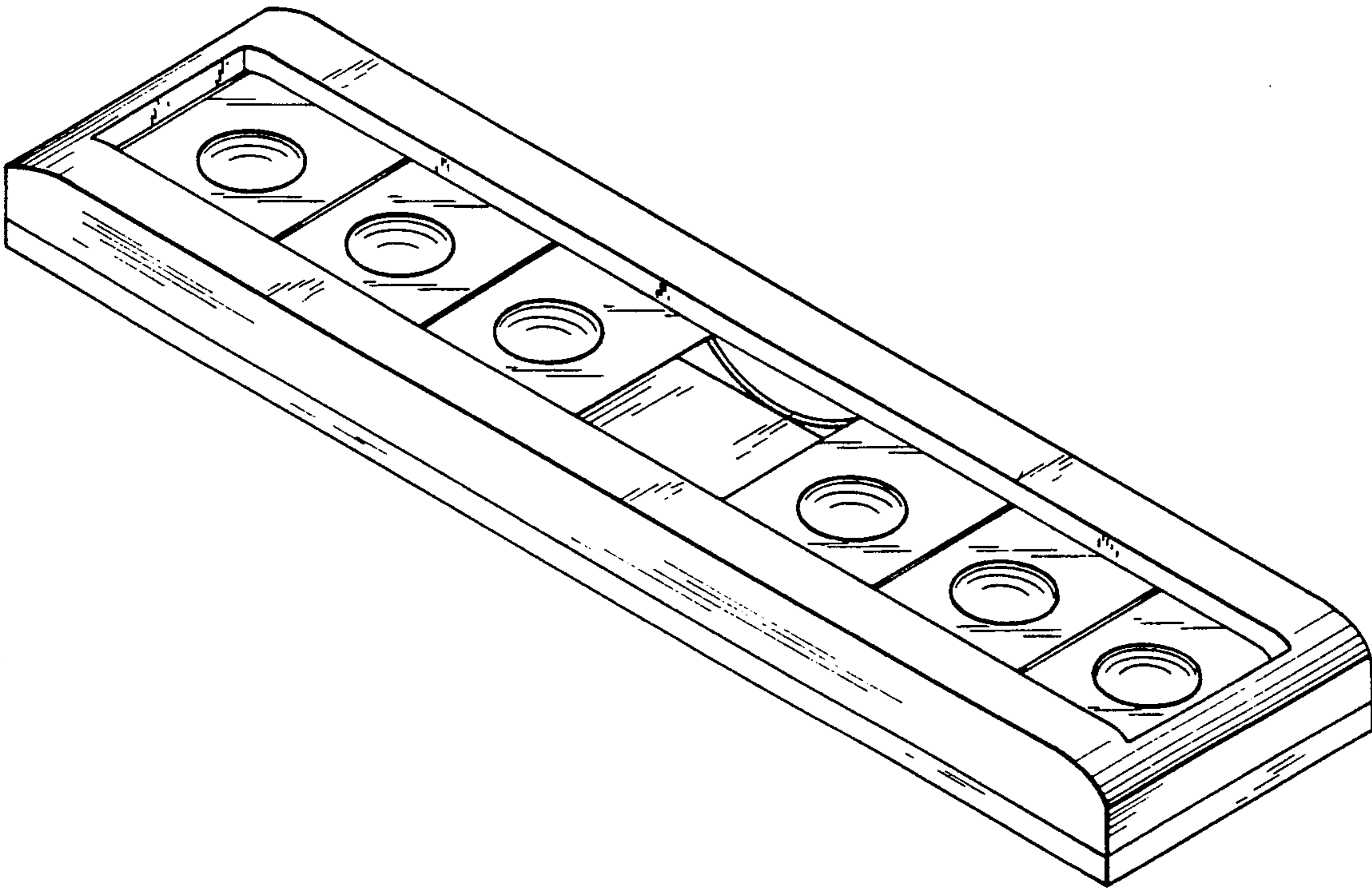


FIG. 1

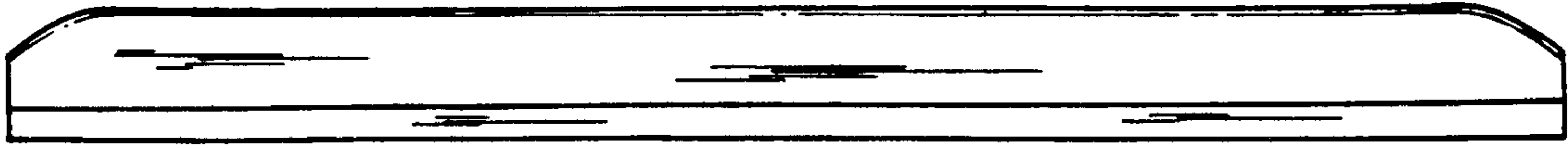


FIG. 2

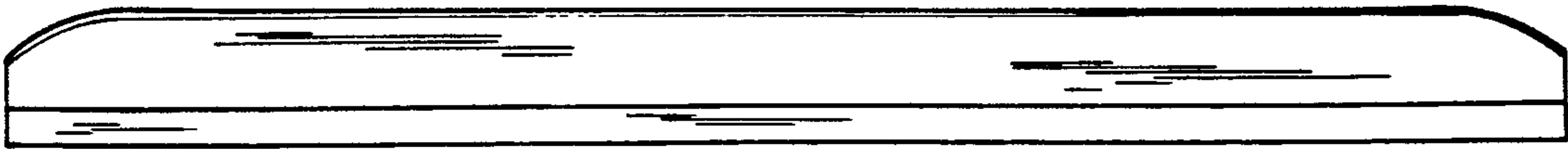


FIG. 3

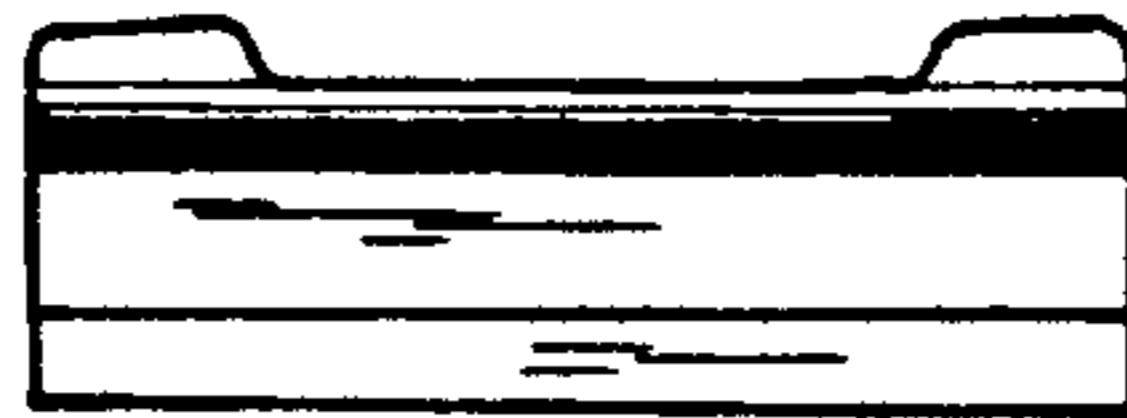


FIG. 6

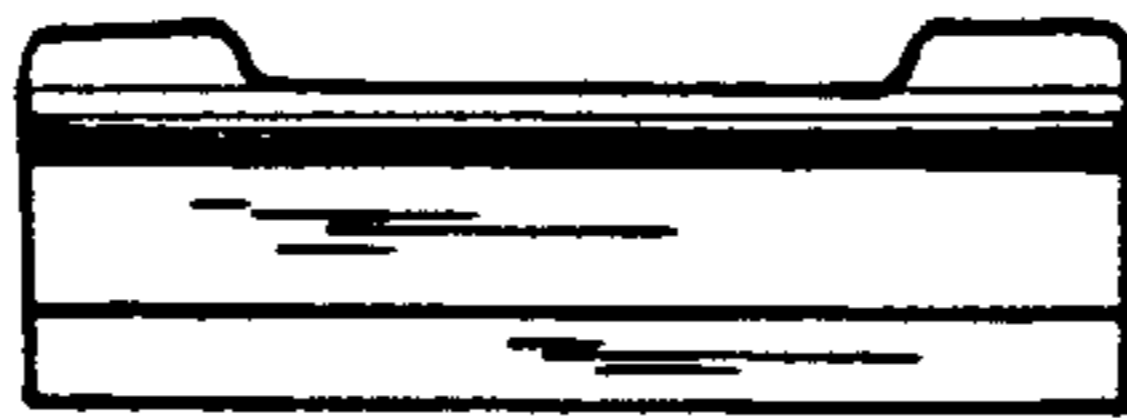


FIG. 7

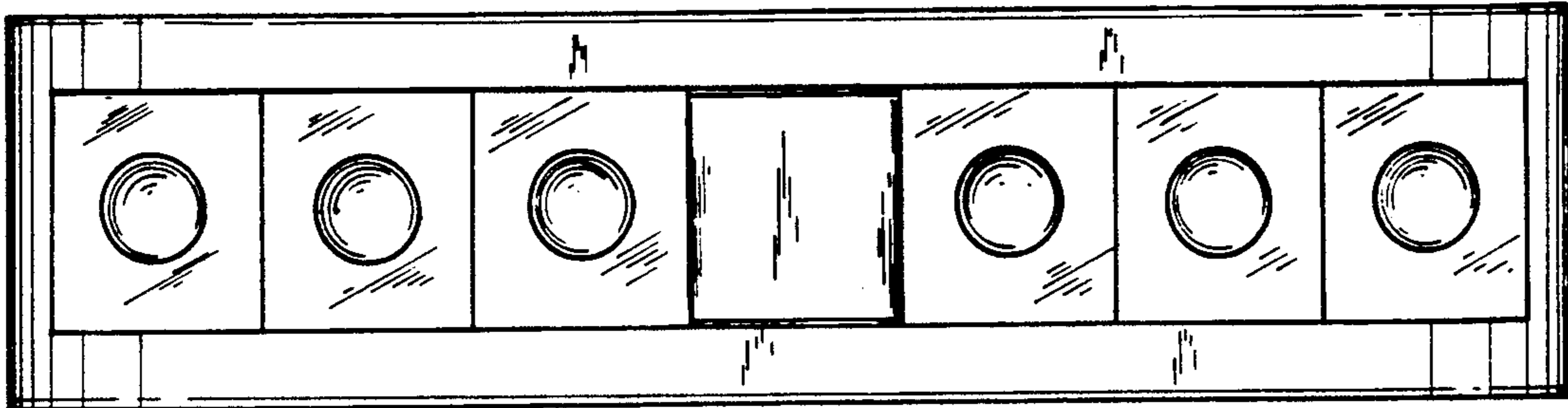


FIG. 4

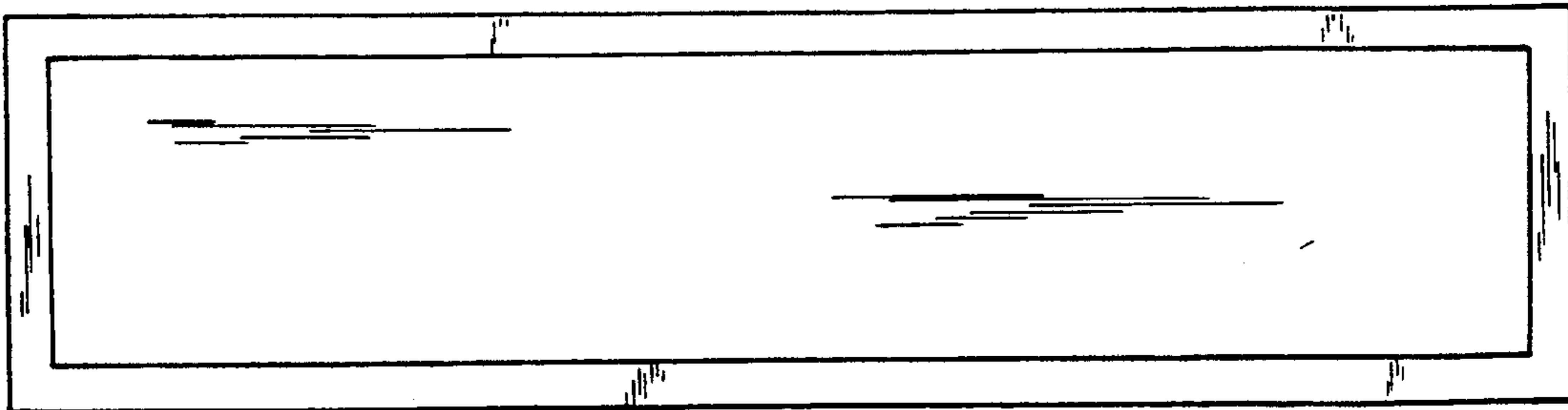


FIG. 5