



US00D329878S

United States Patent [19]

Chen

[11] Patent Number: **Des. 329,878**

[45] Date of Patent: **** Sep. 29, 1992**

[54] **VENDING MACHINE OR SIMILAR ARTICLE**

[76] Inventor: **Chieh-Ju Chen**, No. 84-22, Tung-Ping Rd., Tai-Ping Hsiang, Taichung Hsien, Taiwan

[**] Term: **14 Years**

[21] Appl. No.: **619,336**

[22] Filed: **Nov. 28, 1990**

[52] U.S. Cl. **D20/3; D21/150**

[58] Field of Search **186/38; 194/205; 221/88; D20/3; D21/150; 446/175, 219**

[56] **References Cited**

U.S. PATENT DOCUMENTS

D. 313,821	1/1991	Lynch et al.	D20/3
4,874,343	10/1989	Rosenthal	446/175
4,889,210	12/1989	Alcaraz et al.	186/38

FOREIGN PATENT DOCUMENTS

46903	3/1911	Fed. Rep. of Germany	D20/3
-------	--------	----------------------------	-------

OTHER PUBLICATIONS

Hong Kong Enterprise Toys 1987 p. 7 Middle Left.
Hong Kong Enterprise Toys 1987 p. 266 Top Left.
Hong Kong Toys 1986 p. 304 Center.

Primary Examiner—A. Hugo Word
Assistant Examiner—Paula A. Mortimer
Attorney, Agent, or Firm—Thomas R. Vigil

[57] **CLAIM**

The ornamental design for vending machine or similar article, as shown and described.

DESCRIPTION

FIG. 1 is a front perspective view of a vending machine or similar article showing my new design; FIG. 2 is a front elevational view thereof; FIG. 3 is a rear elevational view thereof; FIG. 4 is a left side elevational view thereof; FIG. 5 is a right side elevational view thereof; FIG. 6 is a top plan view thereof; and, FIG. 7 is a bottom plan view thereof.

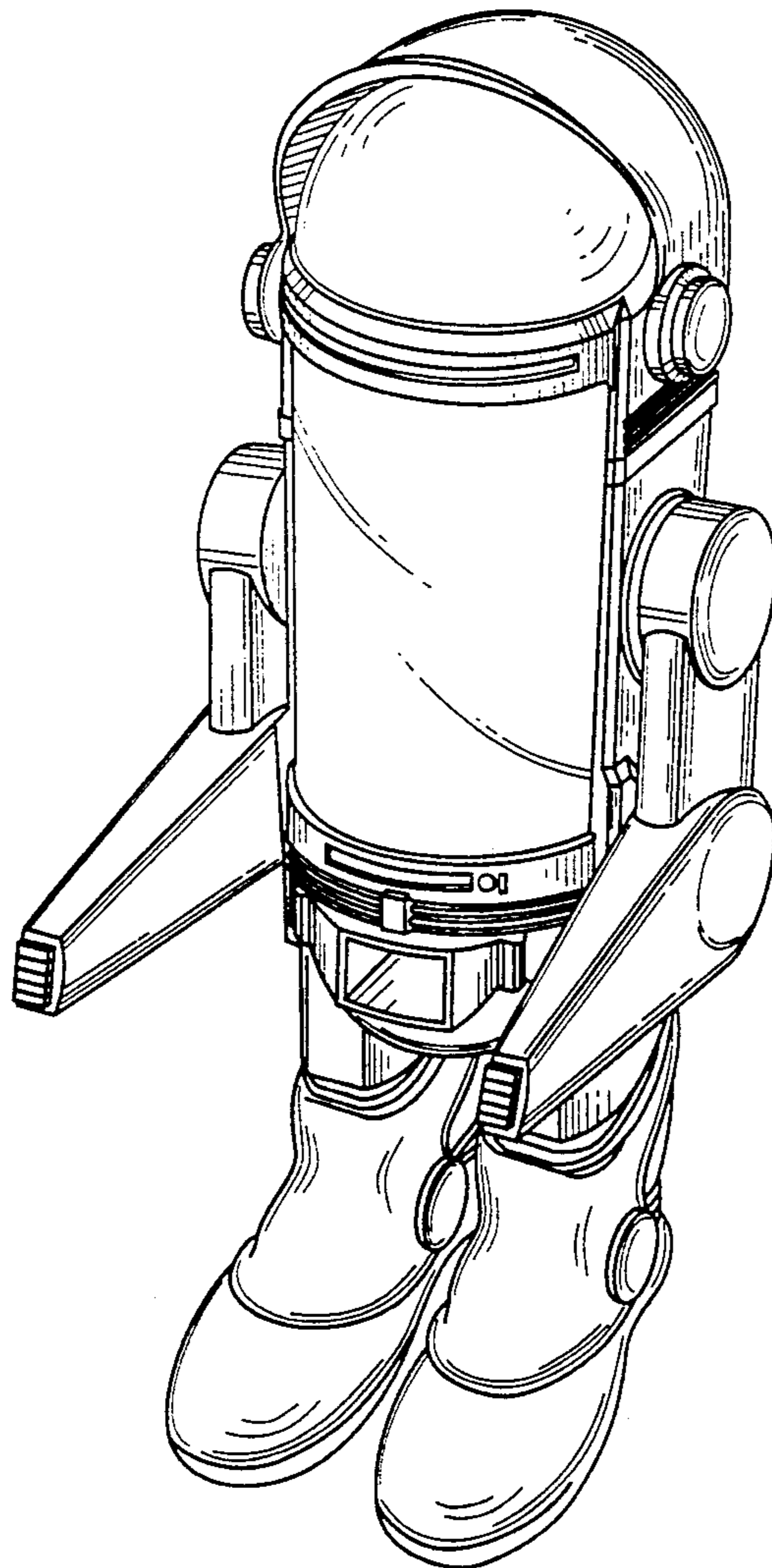
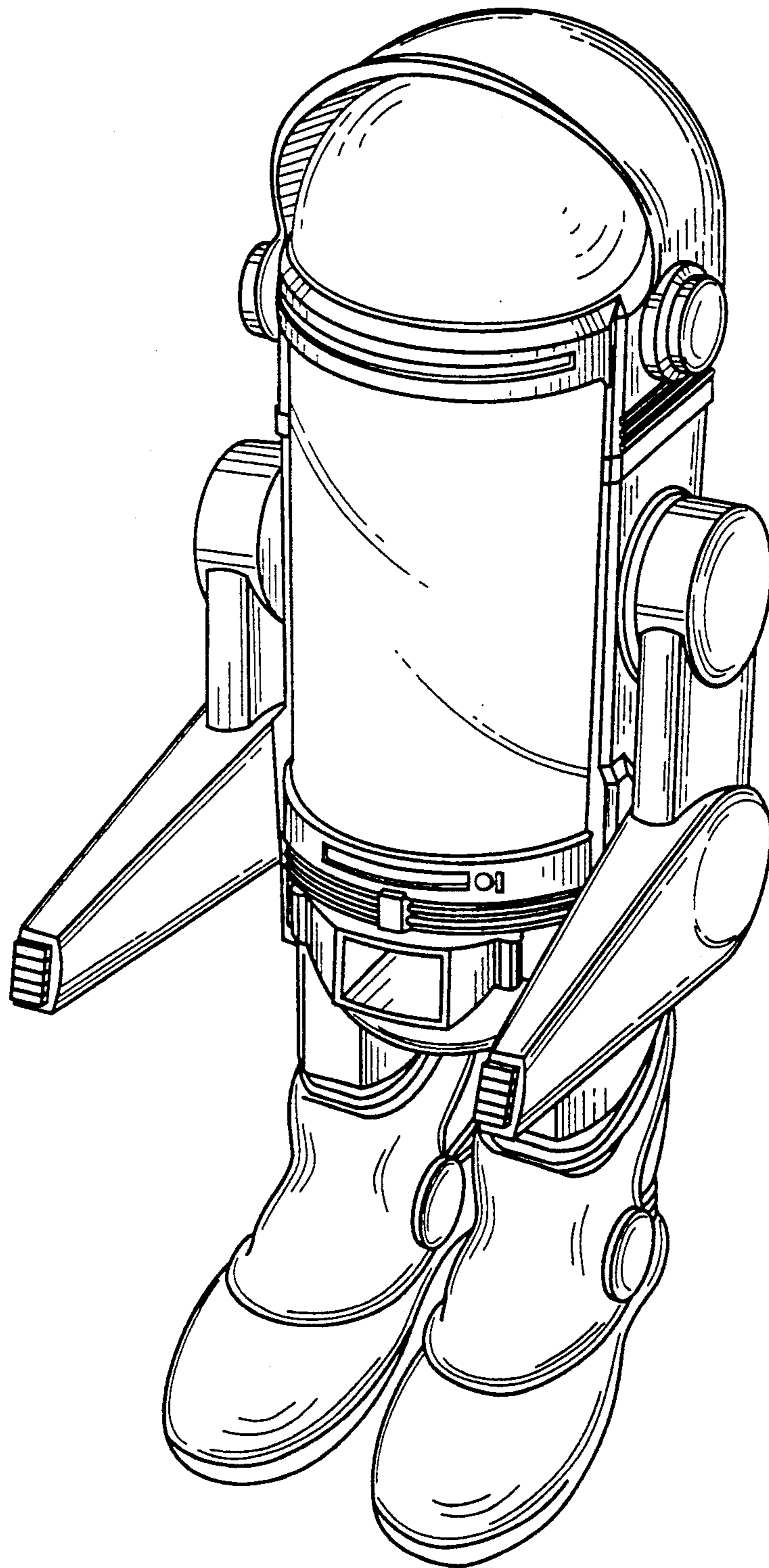


FIG. 1



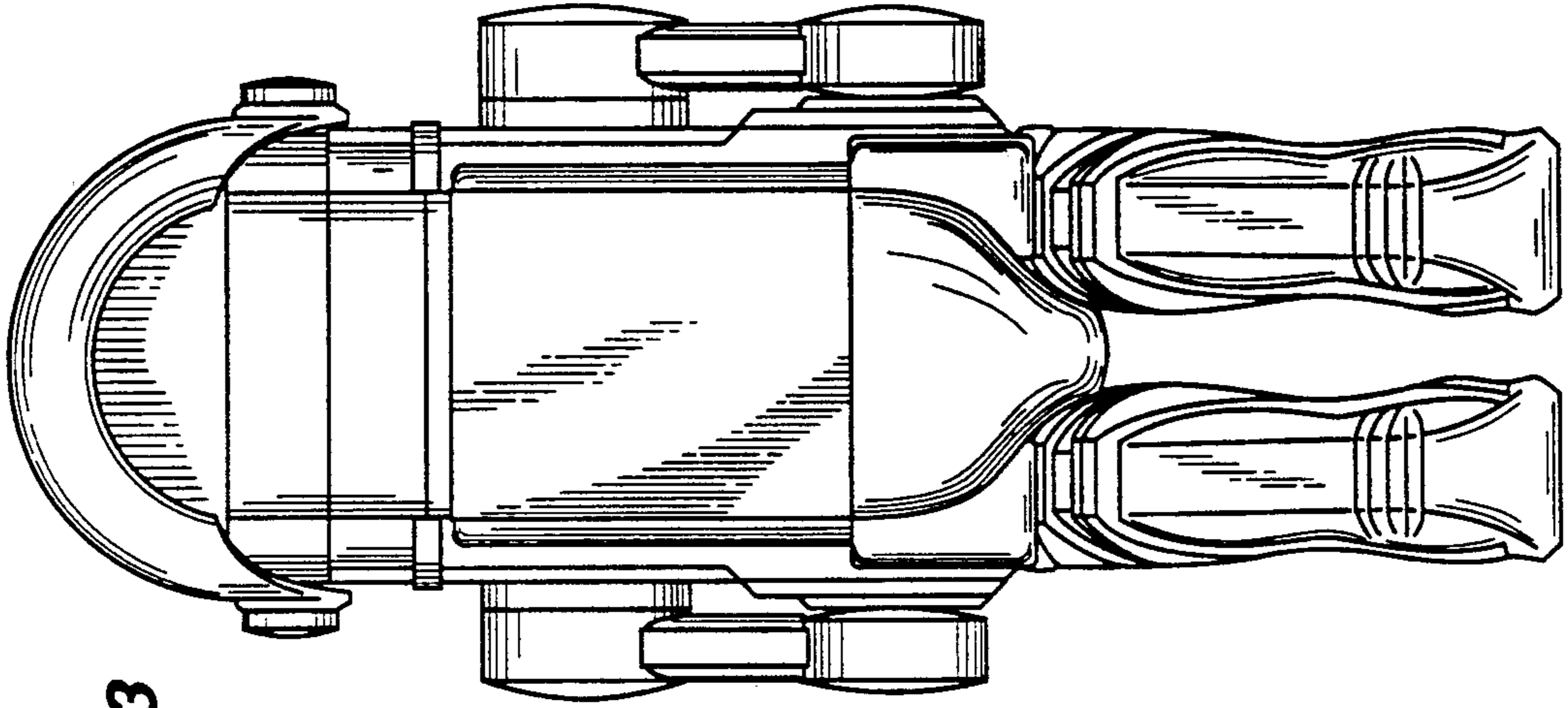


FIG. 3

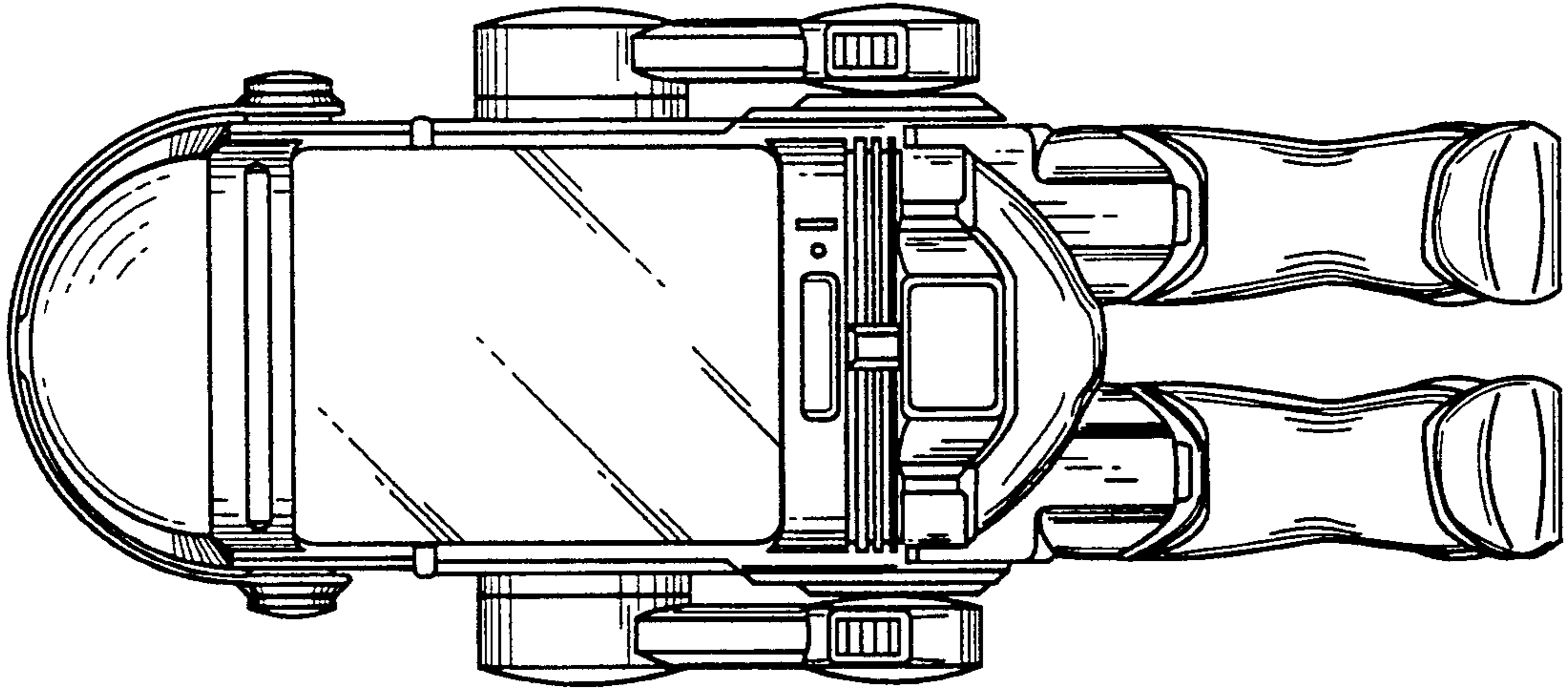


FIG. 2

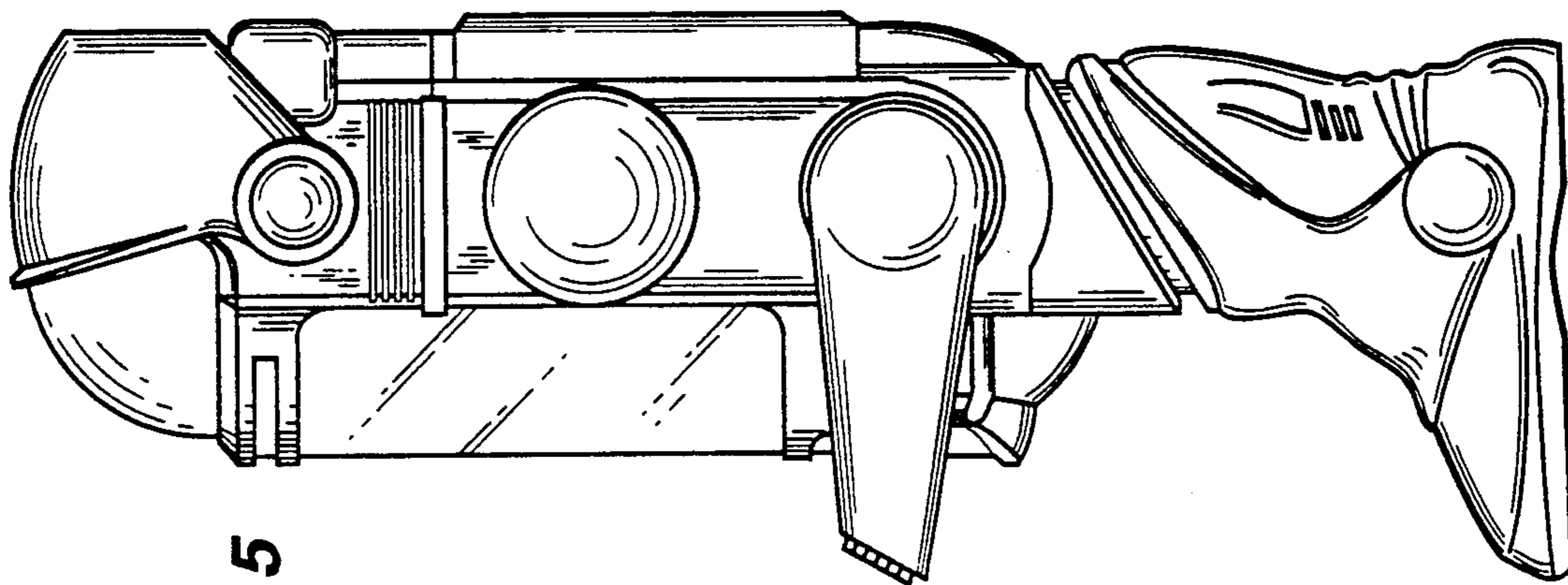


FIG. 5

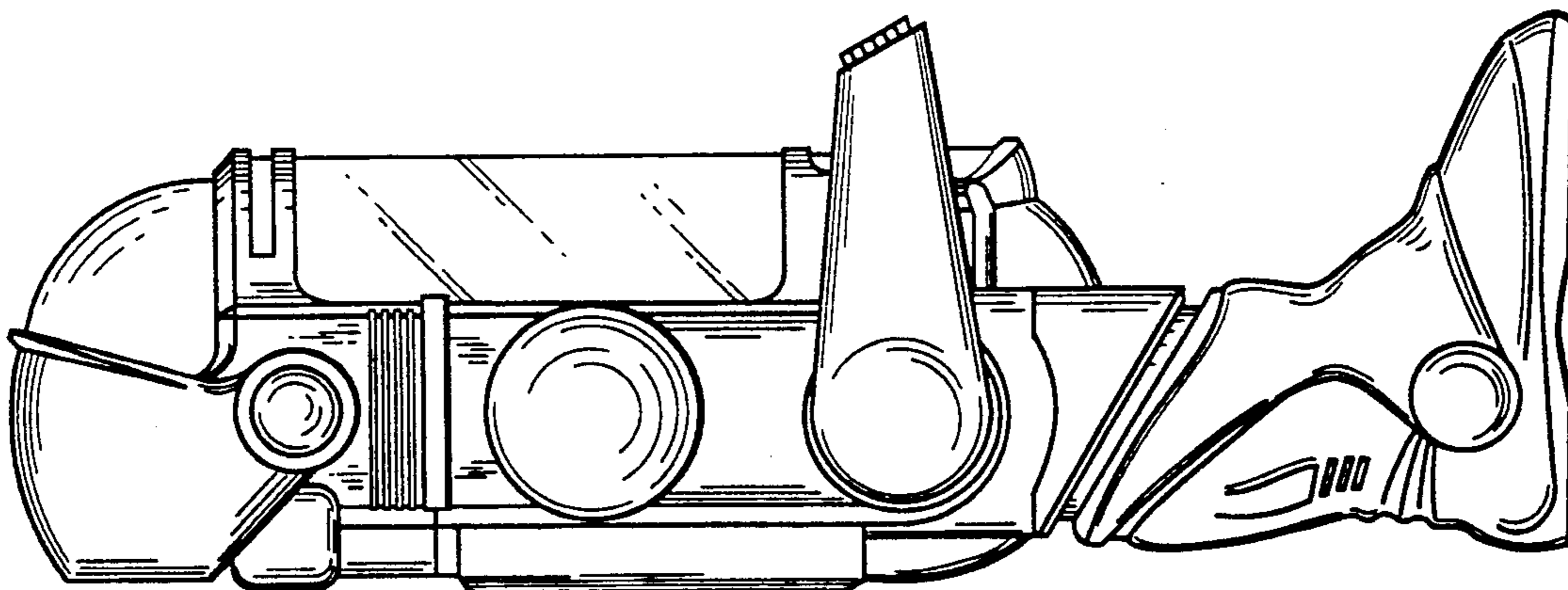


FIG. 4

FIG. 7

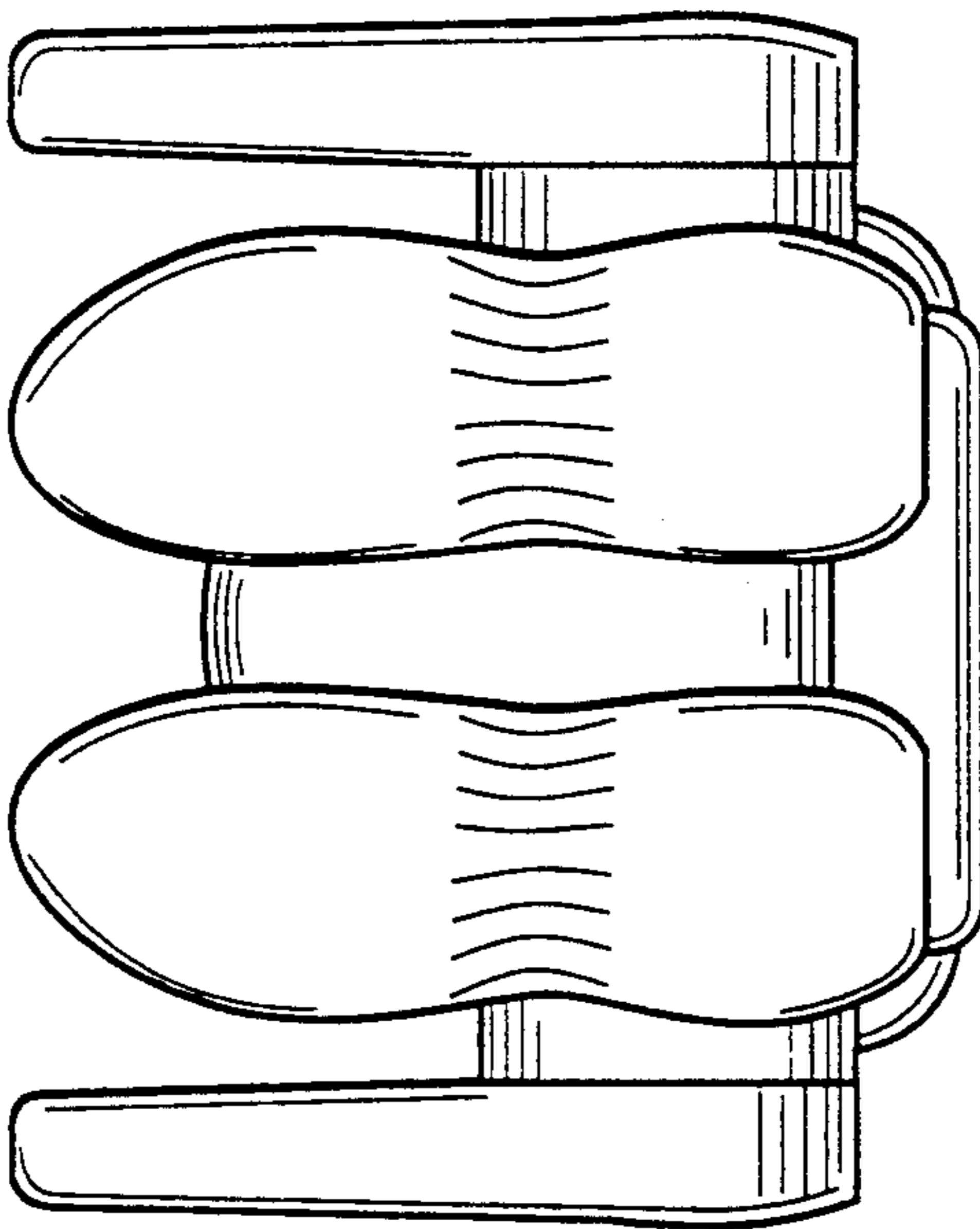


FIG. 6

