



US00D329875S

# United States Patent [19]

[11] Patent Number: Des. 329,875

Stern et al.

[45] Date of Patent: \*\* Sep. 29, 1992

- [54] **VERTICALLY-MOUNTABLE, PLURAL-LEVEL PAPER TRAY**
- [75] Inventors: **Timothy R. Stern; Paul B. Siebert,** both of Grand Rapids, Mich.
- [73] Assignee: **Steelcase Inc.,** Grand Rapids, Mich.
- [\*\*] Term: **14 Years**
- [21] Appl. No.: **402,250**
- [22] Filed: **Sep. 5, 1989**

### Related U.S. Application Data

- [63] Continuation-in-part of Ser. No. 307,588, Feb. 7, 1989, abandoned.
- [52] U.S. Cl. .... **D19/92; D19/75; D19/86; D19/95**
- [58] Field of Search ..... **D19/65, 75, 78, 86, D19/91, 92, 95, 99, 100; 206/555, 449, 494, 425, 215; 211/10, 11, 45, 50, 55, 126**

### [56] References Cited

#### U.S. PATENT DOCUMENTS

- D. 134,298 1/1942 Eppenstein .
- D. 175,449 8/1955 Vevirit ..... D19/92
- D. 193,819 10/1962 Whitson ..... D19/92
- D. 203,526 1/1966 Bartlett ..... D19/92
- D. 220,702 5/1971 Sweet, Jr. .... D19/92 X
- D. 224,637 8/1972 Ball .
- D. 226,892 5/1973 Degennaro et al. .... D19/92 X
- D. 231,496 4/1974 Saltz ..... D19/92
- D. 238,841 2/1976 Goulooze ..... D6/146
- D. 240,785 8/1976 Robinson et al. .
- D. 242,832 12/1976 Swenson ..... D6/159
- D. 244,734 6/1977 Laroye .
- D. 263,532 3/1982 Ferdinand .
- D. 277,249 1/1985 Dunbar ..... D6/483
- D. 278,770 5/1985 Koguma ..... D6/423
- D. 278,772 5/1985 Koguma ..... D6/426
- D. 281,294 11/1985 Hoppe ..... D6/422
- D. 285,218 8/1986 Mayo ..... D19/92
- 2,930,665 3/1960 Budai .
- 2,942,924 6/1960 Stangert ..... 312/140.4
- 2,944,861 7/1960 Lessin ..... 312/196
- 3,114,584 12/1963 Wilmer .
- 3,169,810 2/1965 Levy et al. .... 312/140.1
- 3,433,183 3/1969 Yarme et al. .
- 3,512,857 5/1970 Butera .

- 3,533,362 10/1970 Thompson ..... 108/64
- 3,648,849 3/1972 Harris et al. .... 211/126
- 3,787,605 1/1974 VanGessel et al. .
- 3,883,202 5/1975 Konig .
- 3,916,972 11/1975 Breiner ..... 160/135
- 3,920,299 11/1975 Propst et al. .... 312/223
- 3,992,067 11/1976 Kane ..... 312/194
- 4,094,256 6/1978 Holper et al. .
- 4,094,561 6/1978 Wolff et al. .... 312/223
- 4,135,755 1/1979 Driscoll ..... 339/22
- 4,163,592 8/1979 Nelson ..... 312/194
- 4,163,867 8/1979 Breidenbach .
- 4,235,495 11/1980 Propst et al. .... 339/22
- 4,258,963 3/1981 Fusselman et al. .
- 4,296,574 10/1981 Stephens ..... 52/27
- 4,296,981 10/1981 Hildebrandt et al. .... 312/194
- 4,323,291 4/1982 Ball .
- 4,372,629 2/1983 Propst et al. .... 312/223
- 4,535,703 8/1985 Henriott et al. .... 108/50
- 4,571,907 2/1986 Defouw et al. .... 52/239
- 4,586,759 5/1986 Wrobel ..... 312/198
- 4,619,486 10/1986 Hannah et al. .... 312/195
- 4,624,083 11/1986 Diffrient ..... 52/65
- 4,645,878 2/1987 Hilger et al. .
- 4,646,211 2/1987 Gallant et al. .
- 4,654,756 3/1987 Wilson et al. .

### OTHER PUBLICATIONS

- "Ethos," by Herman Miller.
- Sunar Hauserman's Race System.
- "Hannah Desk System," by Knoll.
- "Wrap-Around Work Surfaces," by Haworth ES.
- "How To Get More Office Space Without Paying A Dollar More in Rent," Round Office, Inc.
- "Places" by Haworth (date unknown).

*Primary Examiner*—Nelson C. Holtje  
*Assistant Examiner*—Martha Thompson  
*Attorney, Agent, or Firm*—Price, Heneveld, Cooper, DeWitt & Litton

### [57] CLAIM

The ornamental design for a vertically-mountable, plural level paper tray, as shown and described.

### DESCRIPTION

FIG. 1 is a top, right front perspective view of a vertically-mountable, plural-level paper tray showing our new design;

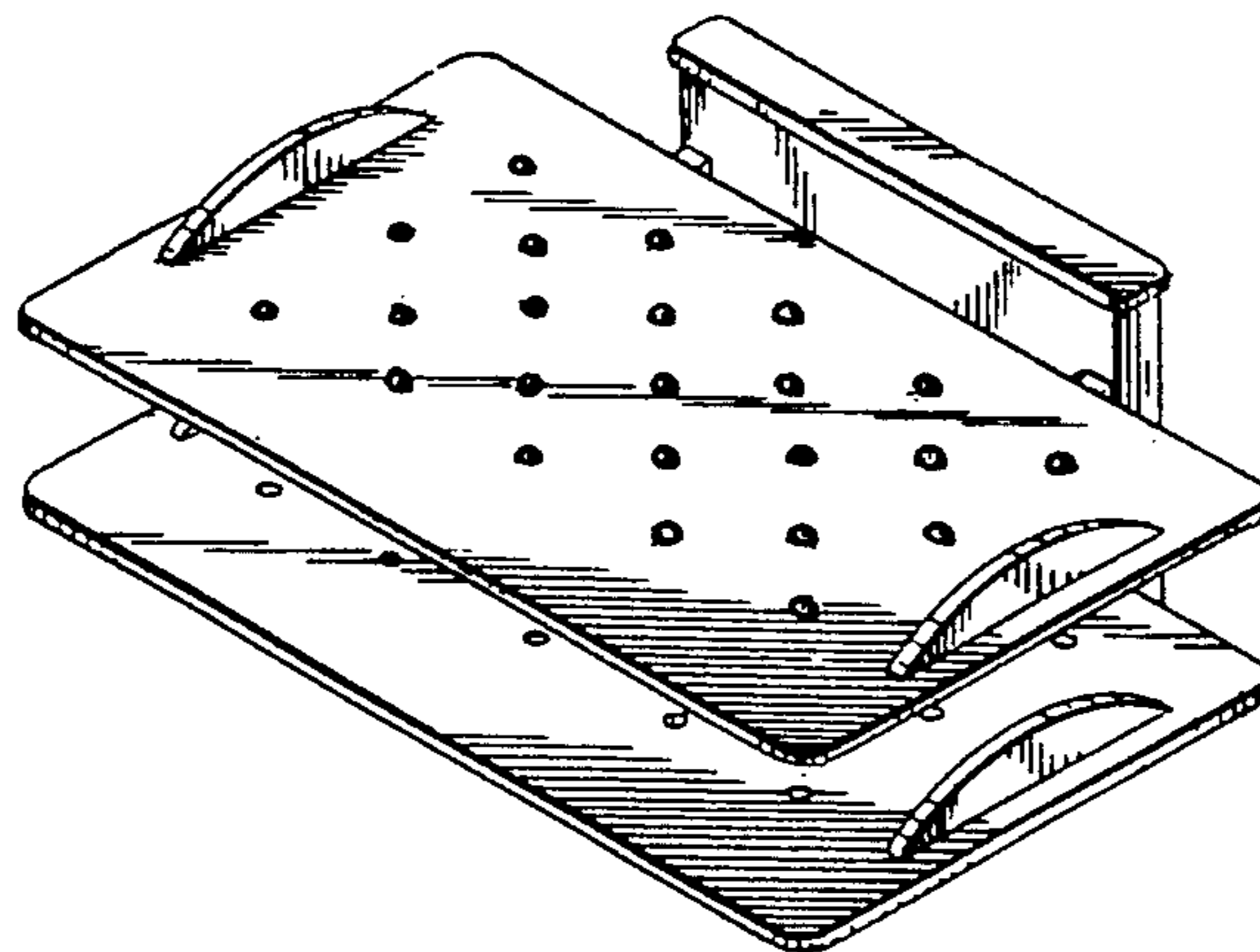


FIG. 2 is a top plan view;

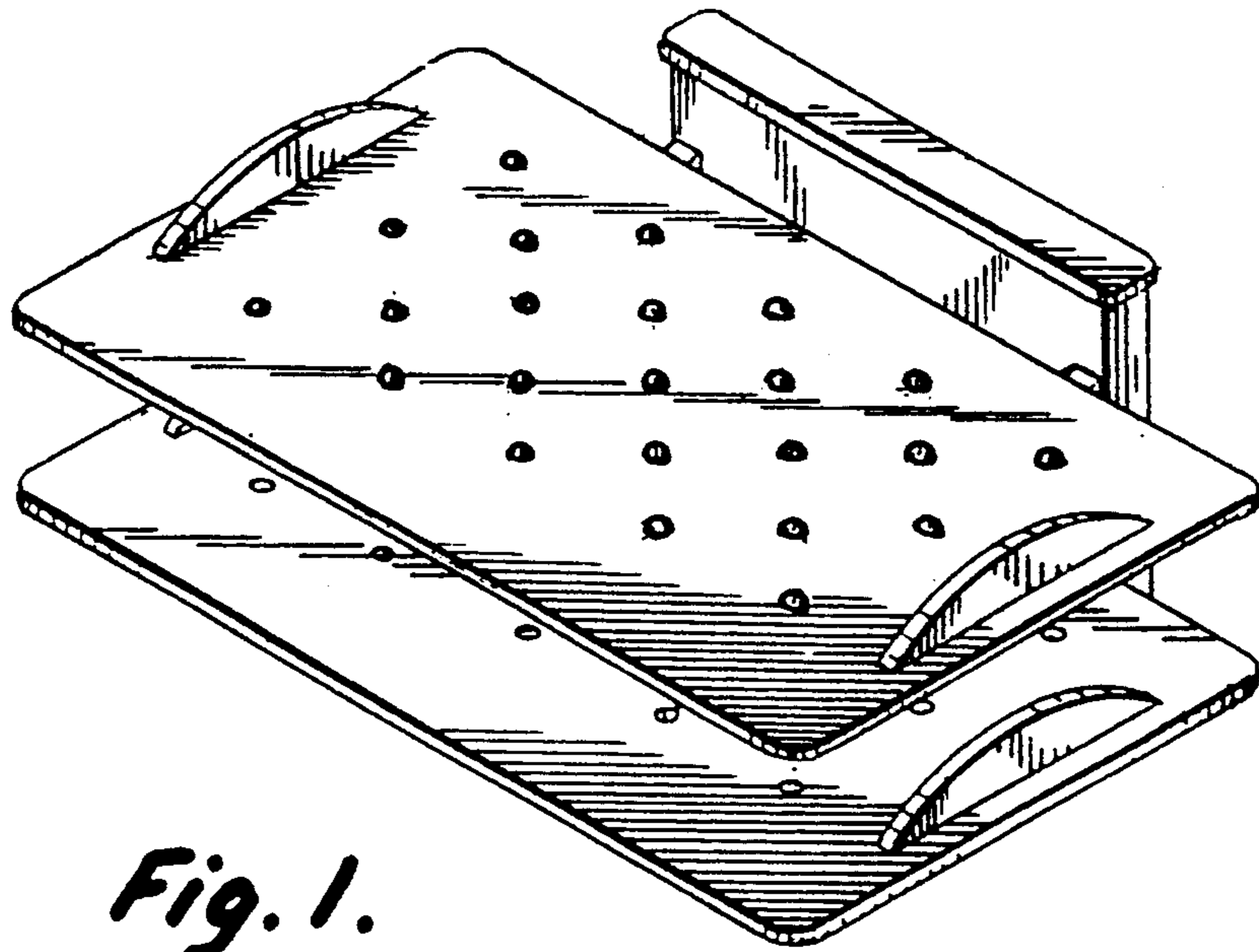
FIG. 3 is a front elevational view;

FIG. 4 is a rear elevational view; and,

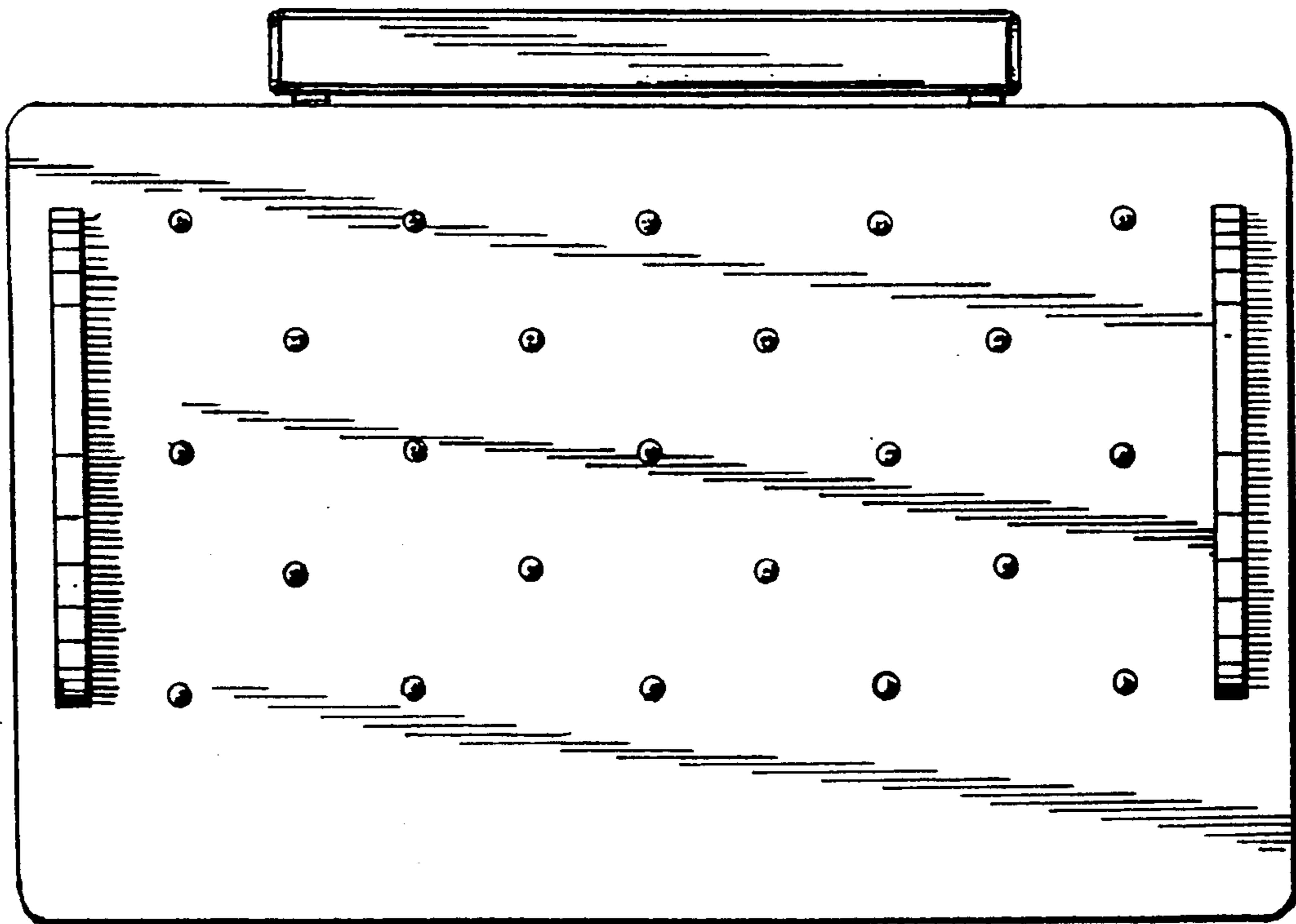
FIG. 5 is a left side elevational view, the right side being a mirror image thereof.

FIGS. 2 through 5 have been drawn to an enlarged scale with respect to FIG. 1.

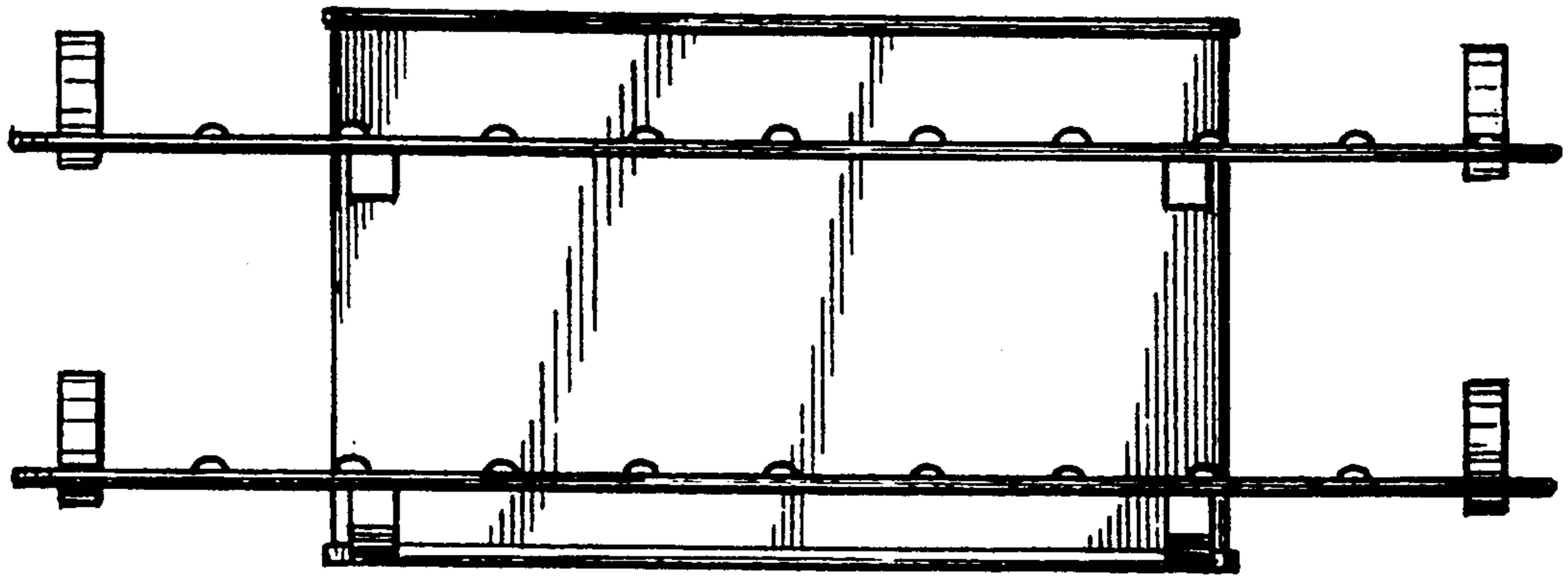
The bottom of the article is conventional in appearance.



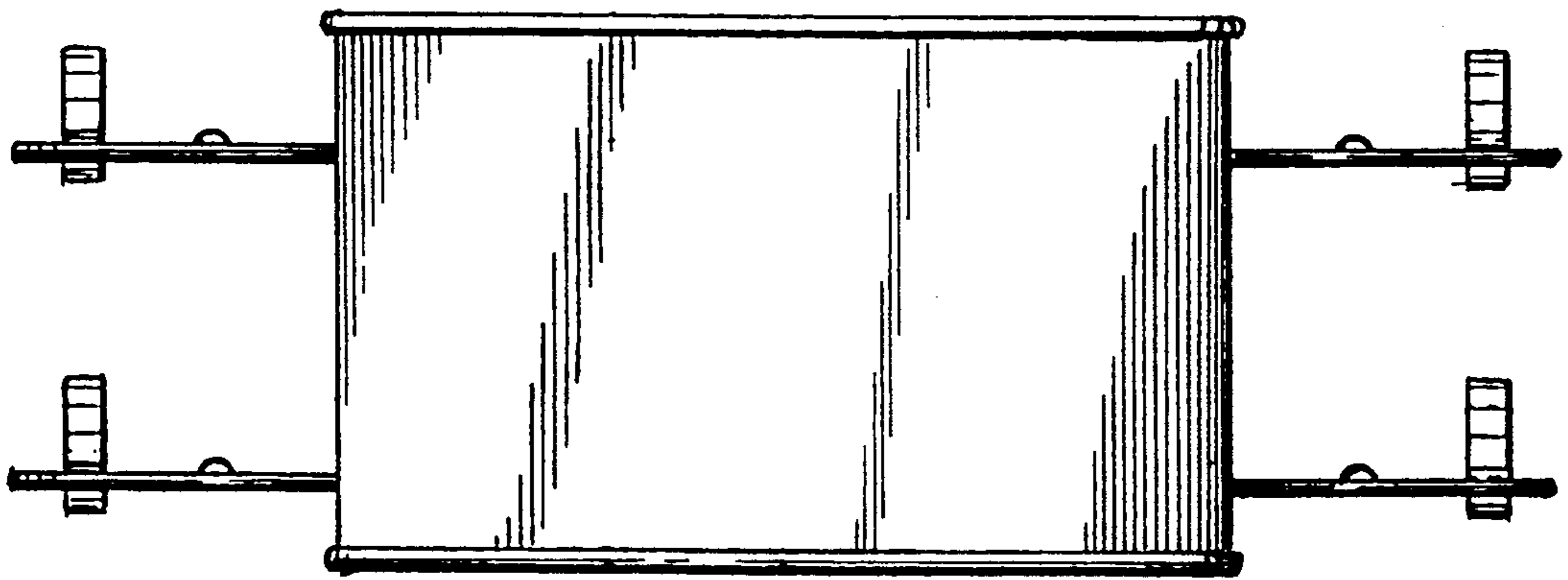
*Fig. 1.*



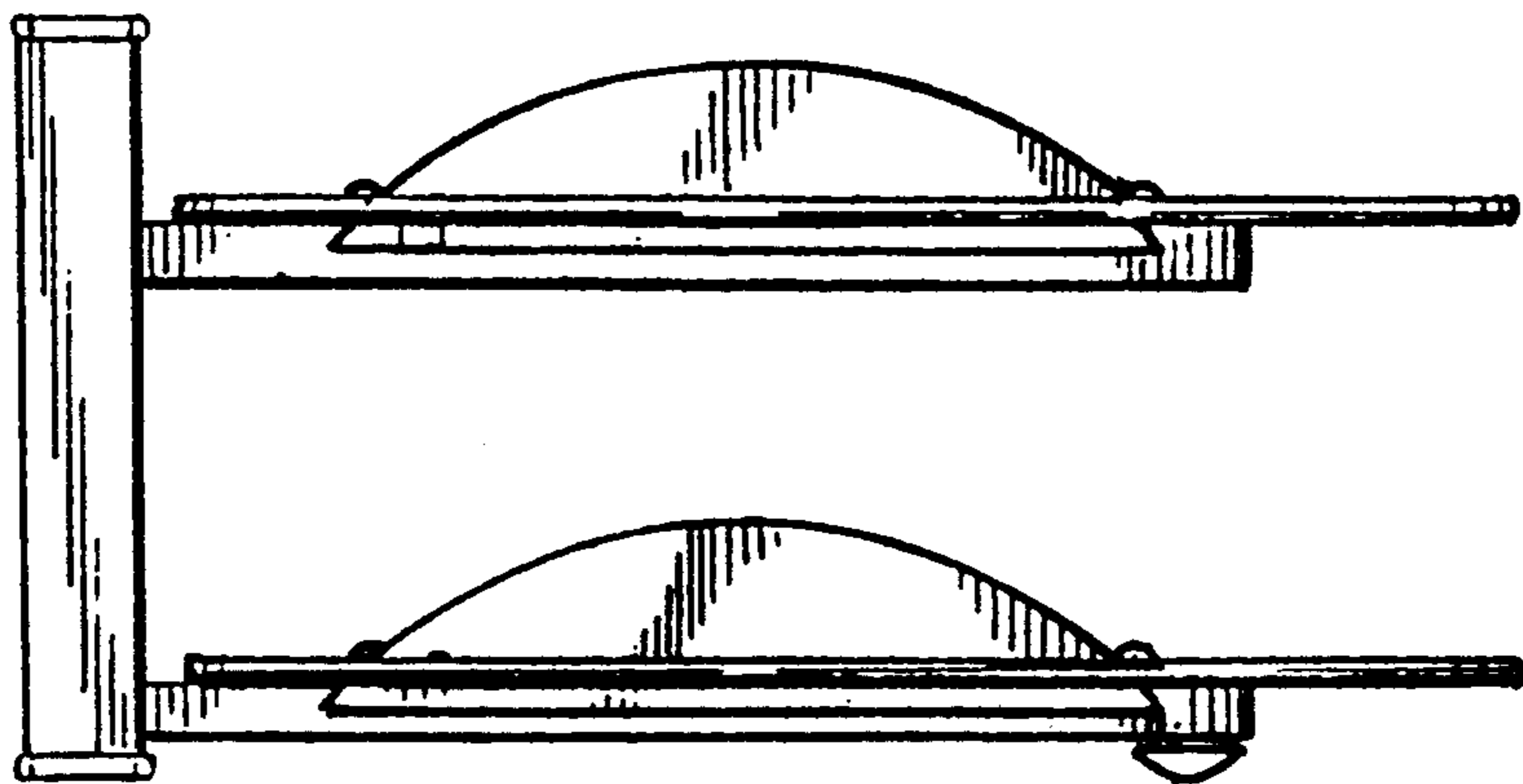
*Fig. 2.*



*Fig. 3.*



*Fig. 4.*



*Fig. 5.*