



US00D329864S

United States Patent [19]

[11] Patent Number: **Des. 329,864**

Kawagoe

[45] Date of Patent: **** Sep. 29, 1992**

[54] CAMERA

| | | | | |
|------------|---------|----------------|-------|---------|
| D. 257,983 | 1/1981 | Maitani | | D16/209 |
| D. 320,610 | 10/1991 | Chan | | D16/209 |
| 4,273,434 | 6/1981 | Maitani et al. | | 354/288 |

[75] Inventor: **Hiroaki Kawagoe, Tokyo, Japan**

[73] Assignee: **Fuji Photo Film Co., Ltd., Kanagawa, Japan**

[**] Term: **14 Years**

[21] Appl. No.: **617,353**

[22] Filed: **Nov. 23, 1990**

[30] Foreign Application Priority Data

Jul. 17, 1990 [JP] Japan 2-24207

[52] U.S. Cl. **D16/218**

[58] Field of Search D16/200-204,
D16/208, 209, 216-218; 354/126, 127.11,
149.11, 202, 288

[56] References Cited

U.S. PATENT DOCUMENTS

D. 257,982 1/1981 Maitani D16/212

OTHER PUBLICATIONS

Modern Photography, May 1985, p. 42 (Olympus XA3).

Primary Examiner—Bernard Ansher
Attorney, Agent, or Firm—Young & Thompson

[57] CLAIM

The ornamental design for a camera, as shown.

DESCRIPTION

FIG. 1 is a top, front perspective view of a camera showing my new design;
FIG. 2 is a front elevational view thereof;
FIG. 3 is a rear elevational view thereof;
FIG. 4 is a top plan view thereof;
FIG. 5 is a bottom plan view thereof;
FIG. 6 is a left elevational view thereof; and,
FIG. 7 is a right elevational view thereof.

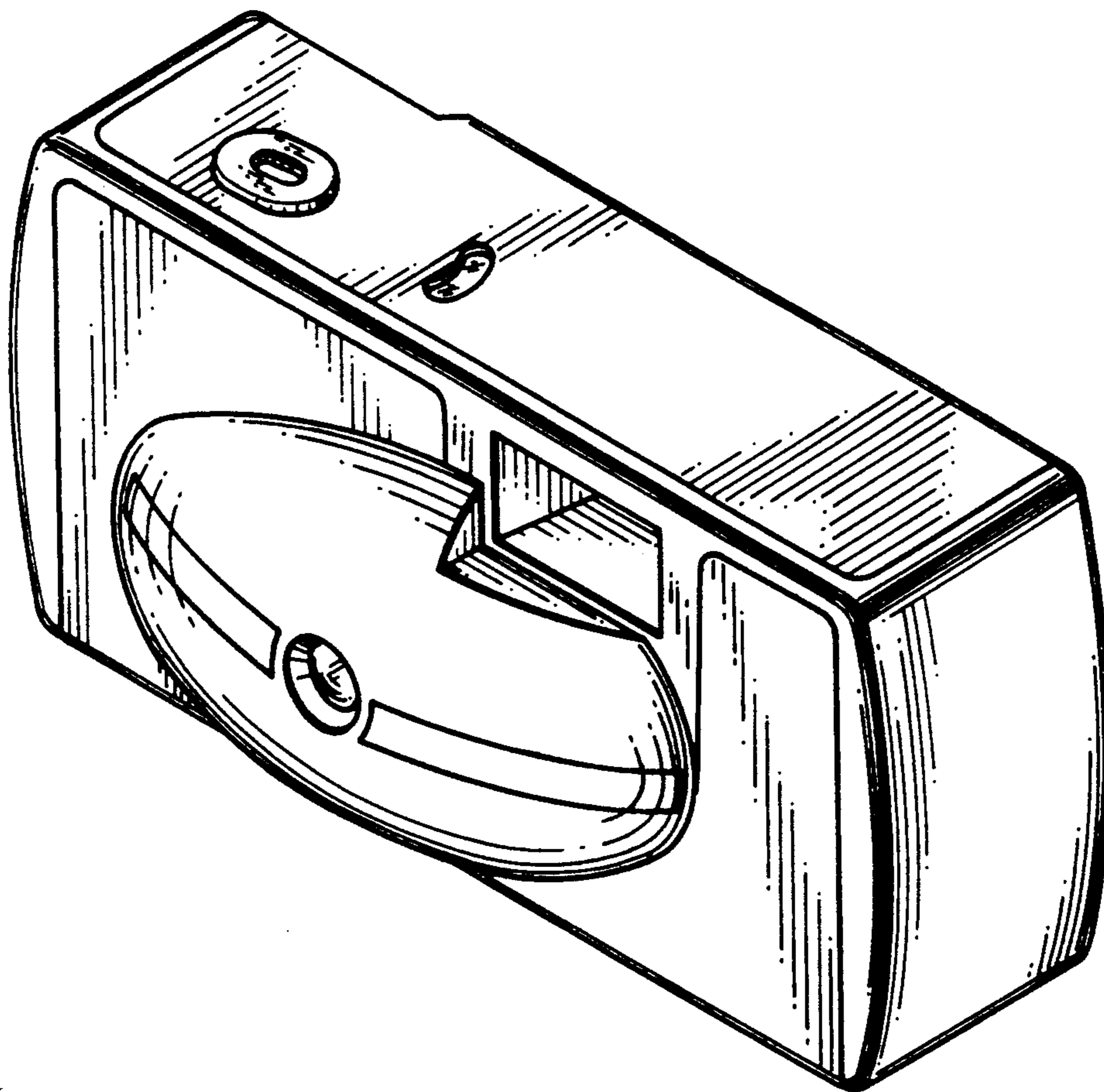


FIG. 1

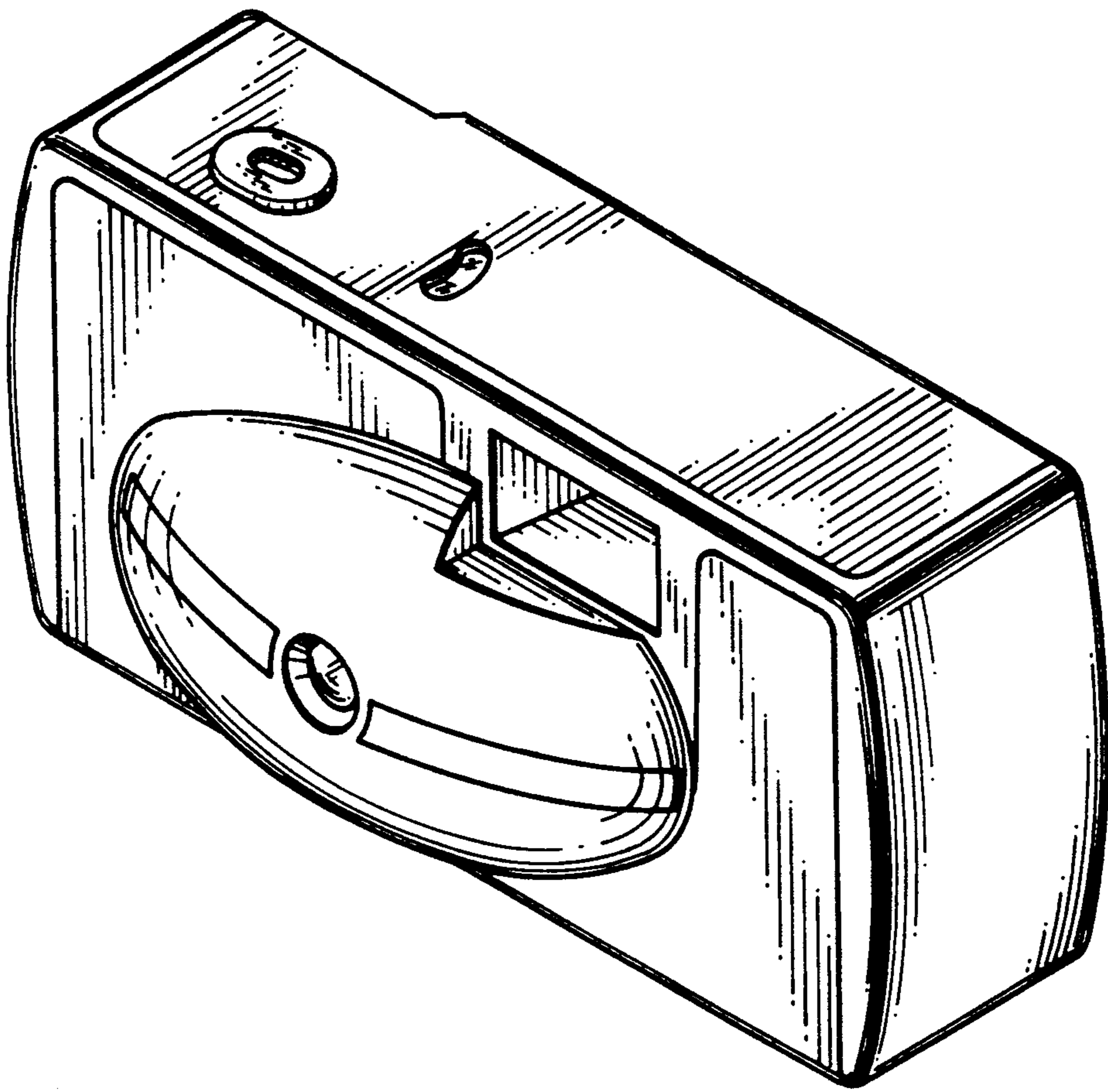


FIG. 2

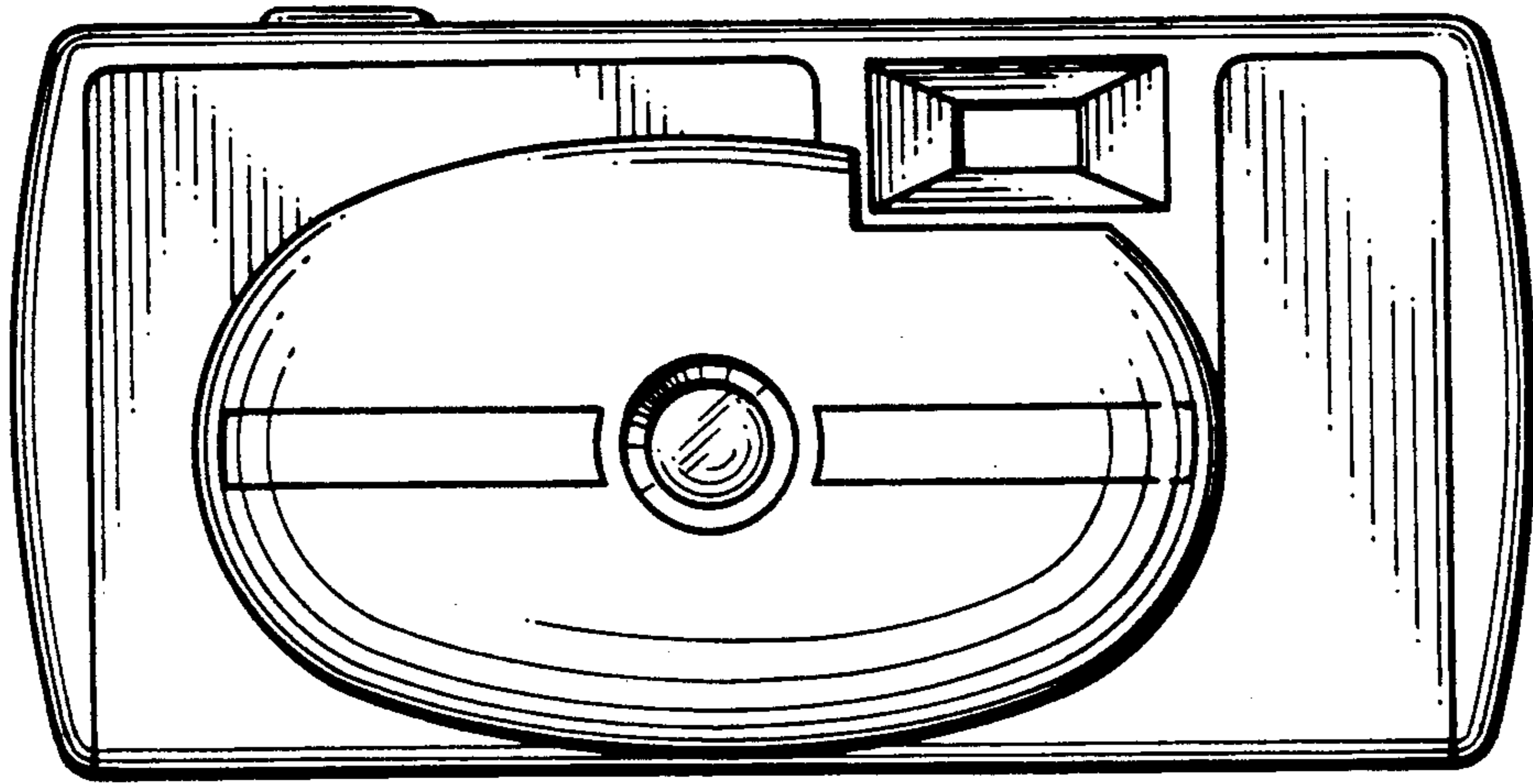


FIG. 3

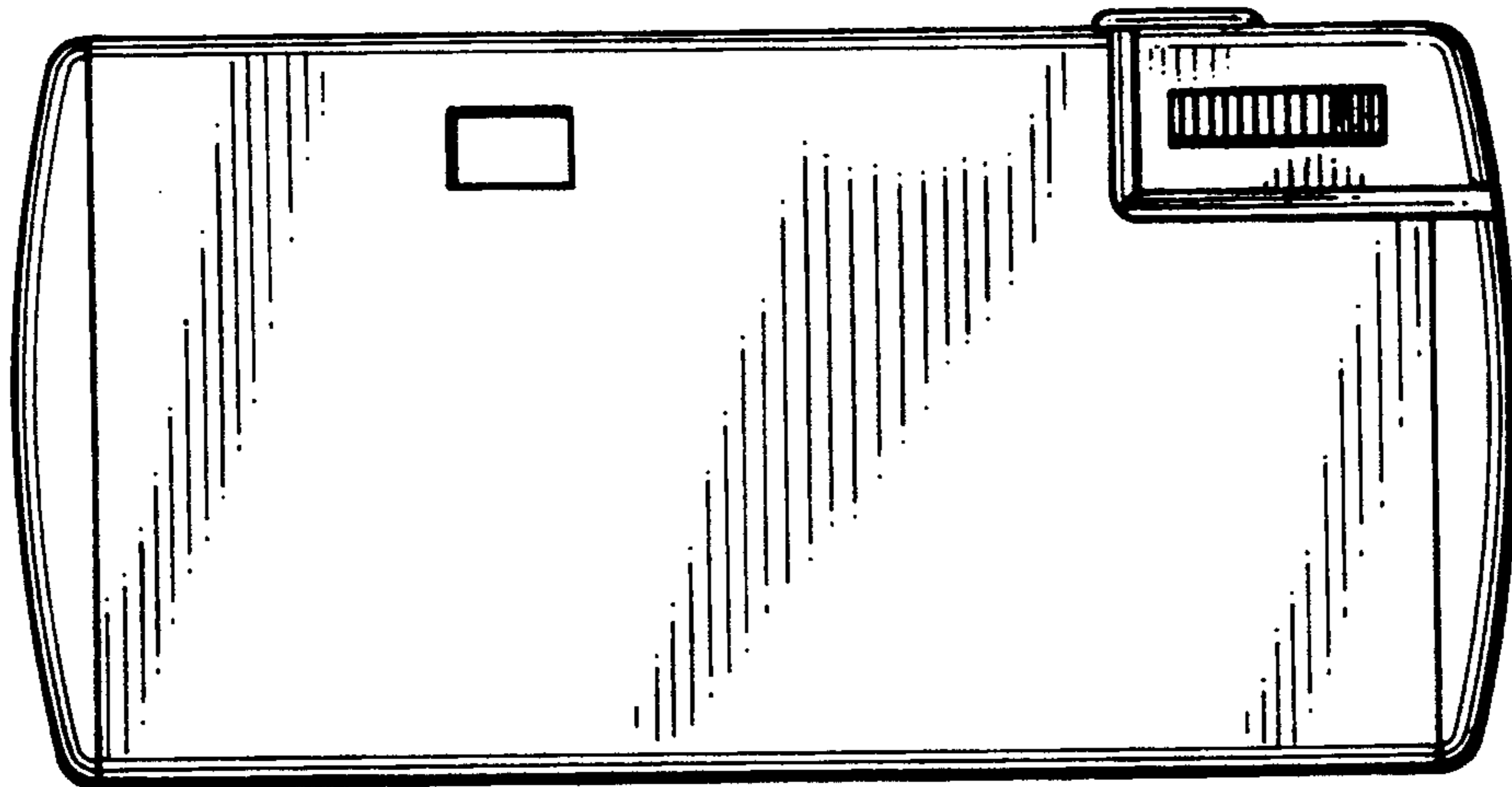


FIG. 4

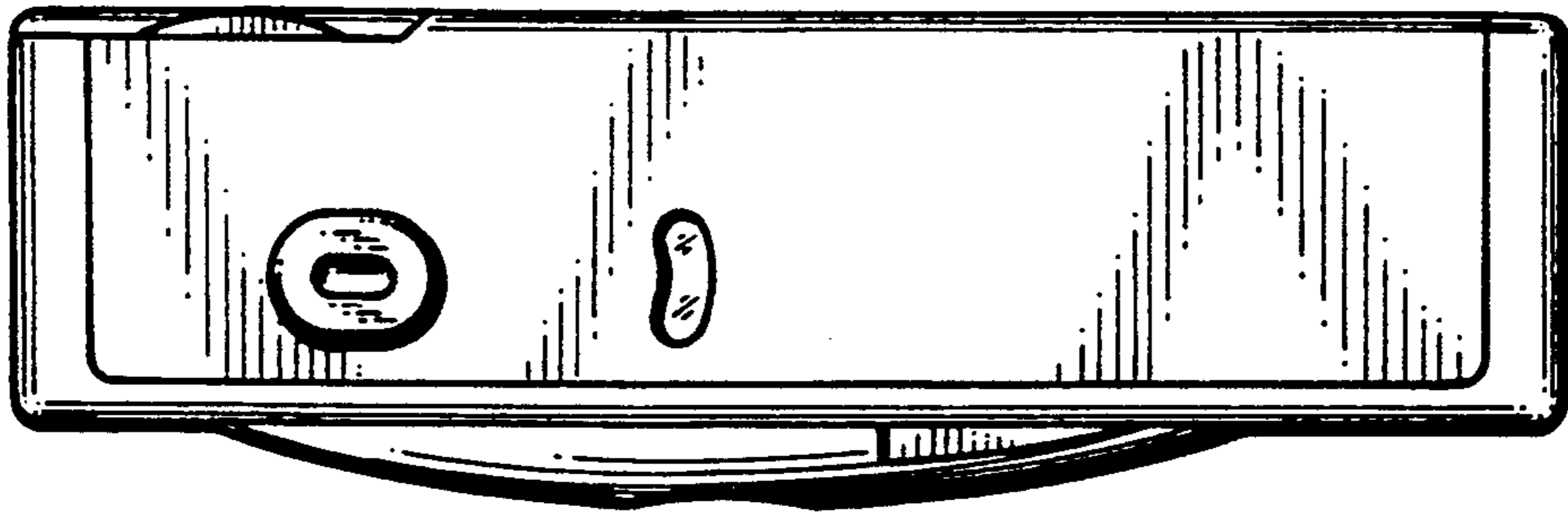


FIG. 5

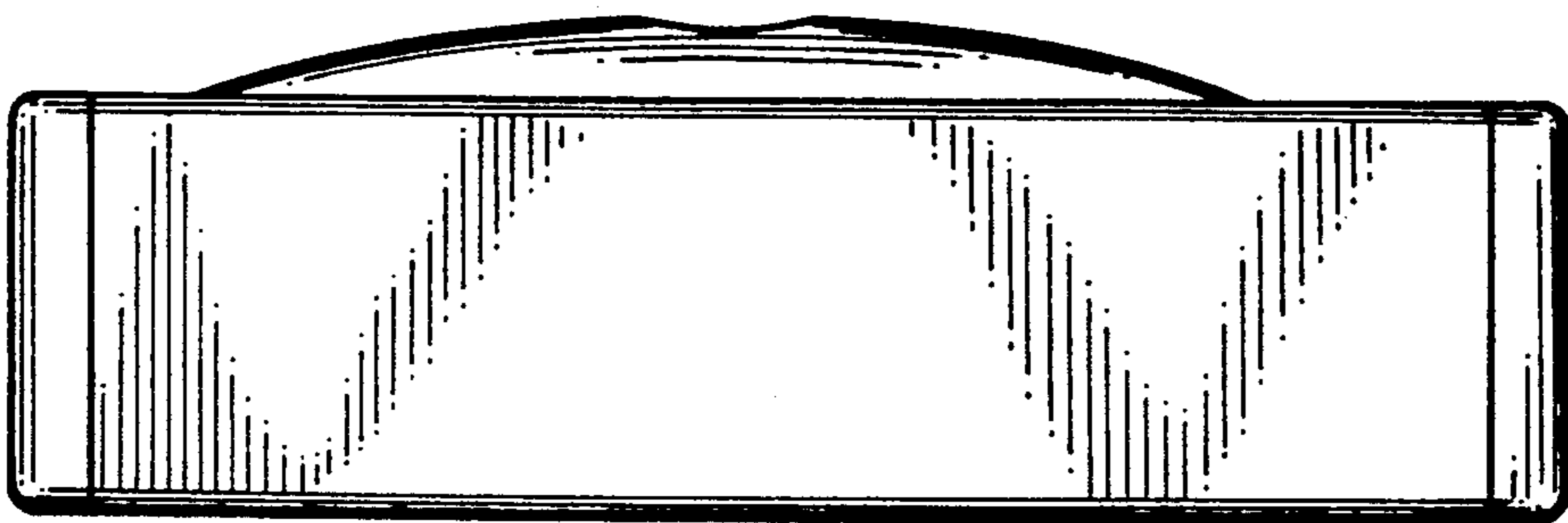


FIG. 6

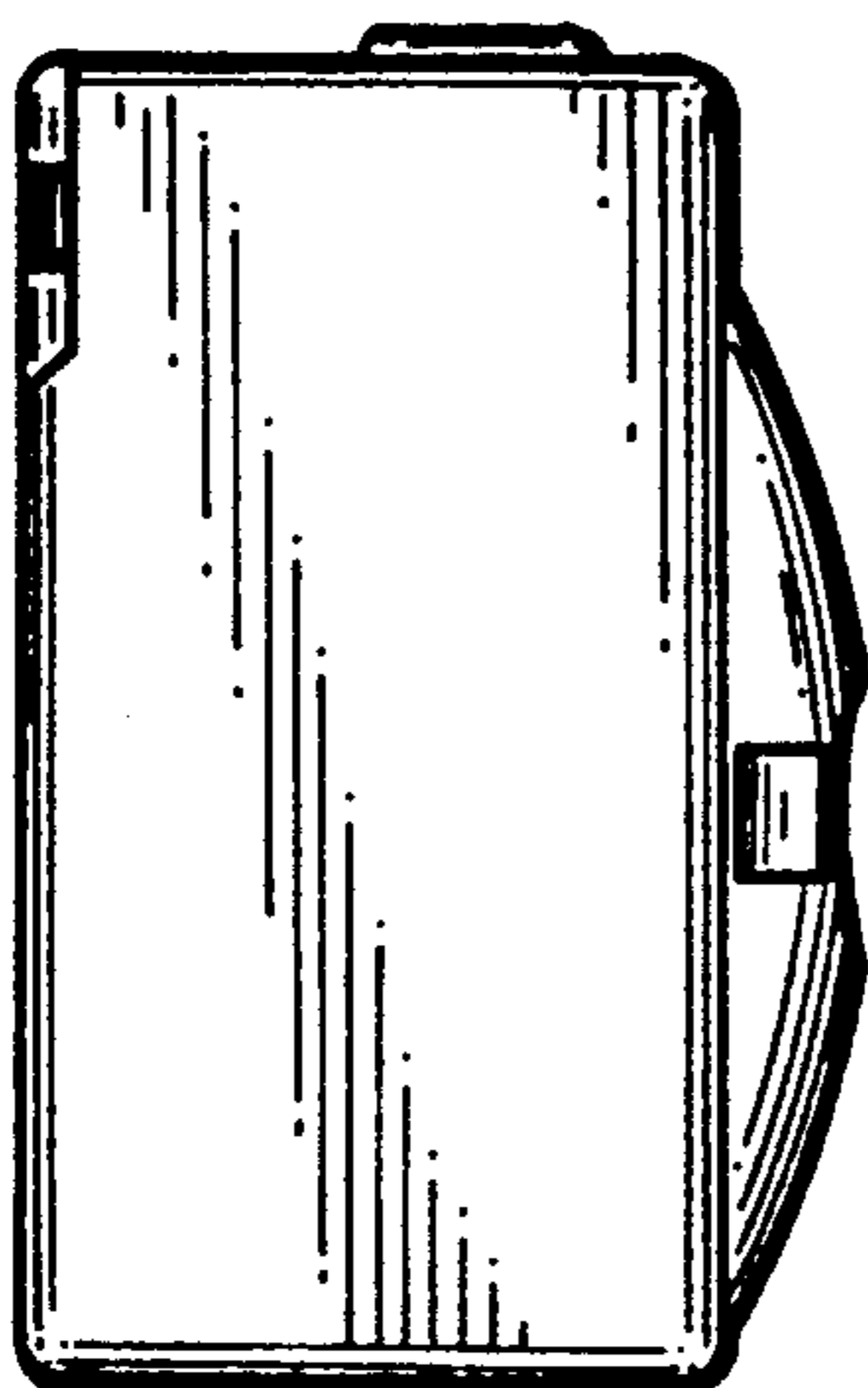


FIG. 7

