



US00D329862S

# United States Patent [19]

Watanabe et al.

[11] Patent Number: **Des. 329,862**

[45] Date of Patent: **\*\* Sep. 29, 1992**

[54] **COMBINED INSTANT CAMERA AND PRINTER**

4,262,301 4/1981 Erlichman ..... 358/906  
4,937,676 6/1990 Finelli et al. .... 358/909

[75] Inventors: **Kenji Watanabe; Takanobu Kameda; Hideto Yokota; Tetsuo Yamaguchi; Tomoyuki Yamaguchi; Yuichiro Taniguchi; Atsuko Yamaguchi**, all of Tokyo, Japan

### OTHER PUBLICATIONS

The British Journal of Photography, Jan. 1, 1954 ("Ga Mi16", Miniature Camera).

*Primary Examiner*—Bernard Ansher  
*Assistant Examiner*—Adir Aronovich

[73] Assignee: **King Jim Co., Ltd.**, Tokyo, Japan

[\*\*] Term: **14 Years**

### [57] CLAIM

[21] Appl. No.: **541,295**

The ornamental design for combined instant camera and printer, as shown and described.

[22] Filed: **Jun. 20, 1990**

### DESCRIPTION

### [30] Foreign Application Priority Data

Dec. 20, 1989 [JP] Japan ..... 1-46124

[52] U.S. Cl. .... **D16/208; D16/209; D16/213; D18/36**

[58] Field of Search ..... **D16/200-205, D16/208, 209, 211-213, 216-218; D18/36; 354/126, 127.11, 149.11, 202, 288; 358/335, 906, 909**

FIG. 1 is a top, front and left side perspective view of a combined camera and printer showing our new design thereof;

FIG. 2 is a top, rear and right side perspective view thereof;

FIG. 3 is a bottom, front and right side perspective view thereof;

FIG. 4 is a front elevational view thereof;

FIG. 5 is a rear elevational view thereof;

FIG. 6 is a top plan view thereof;

FIG. 7 is a bottom plan view thereof;

FIG. 8 is a left side elevational view;

FIG. 9 is a right side elevational view; and,

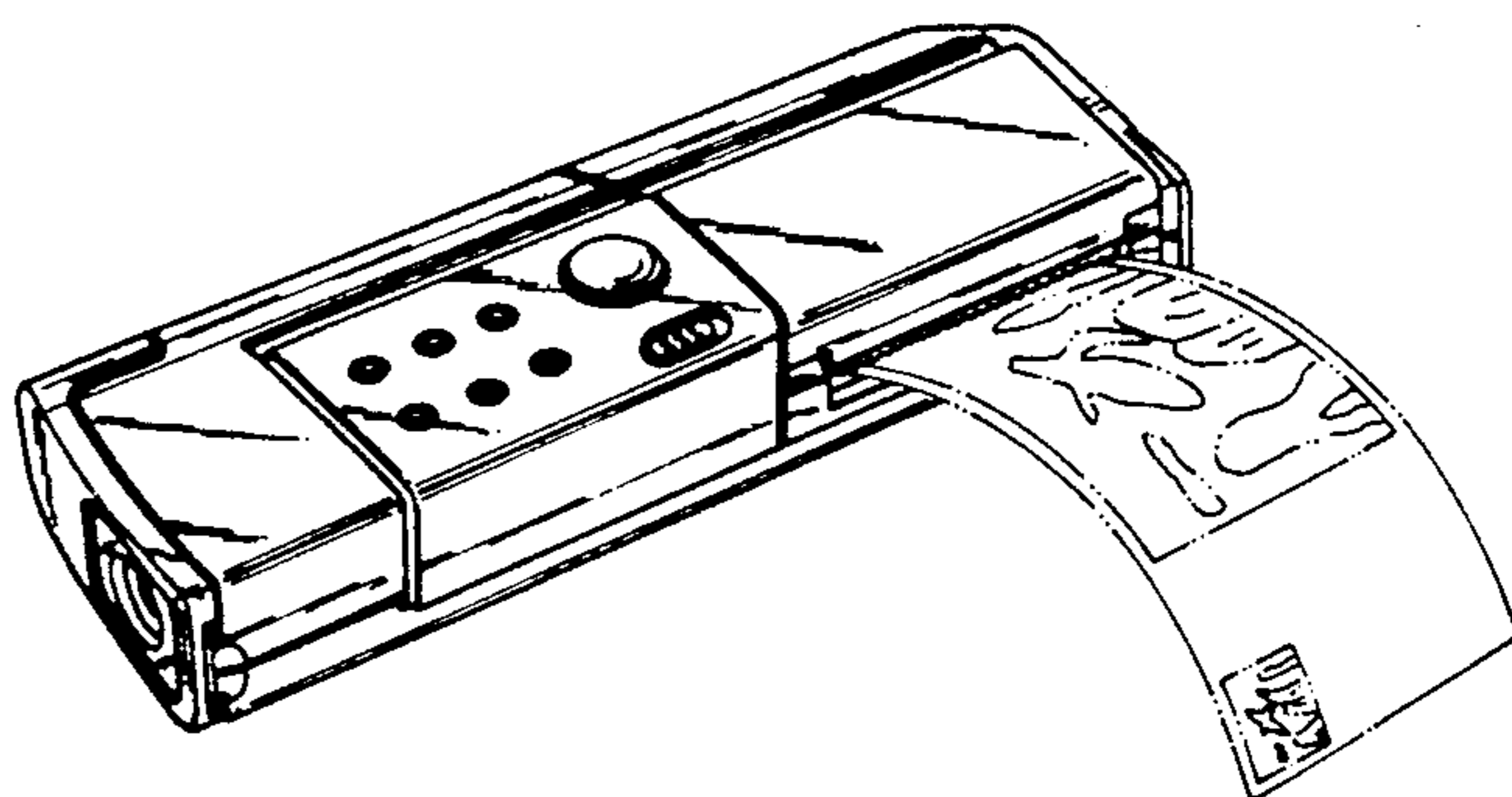
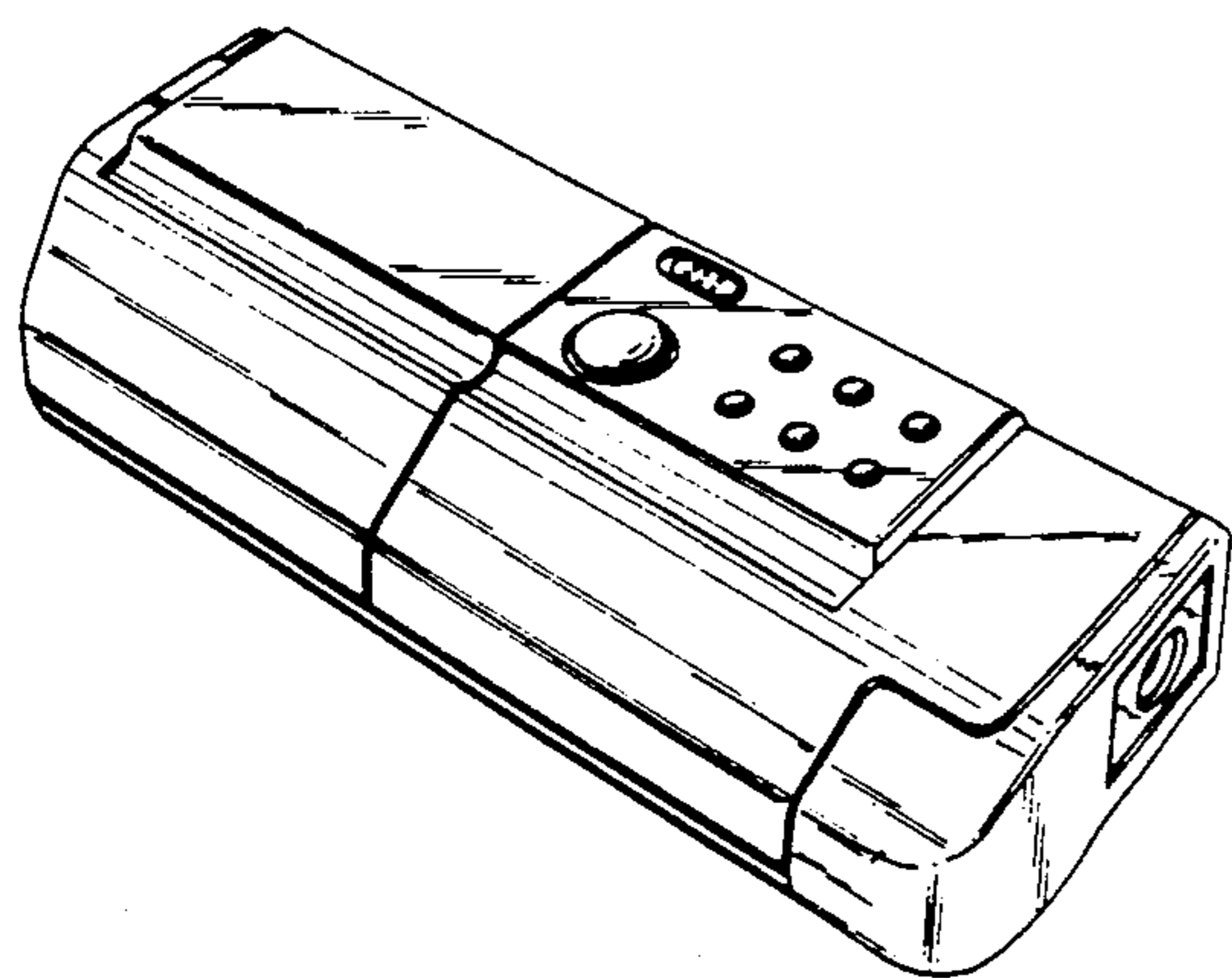
FIG. 10 is a top, rear perspective view of the camera processing the exposed printing paper.

The broken lines representing the printing paper in FIG. 10, is shown for illustrative purposes only.

### [56] References Cited

#### U.S. PATENT DOCUMENTS

D. 246,717	12/1977	Ooya	.....	D16/213
D. 256,468	8/1980	Schlagheck et al.	.....	D16/213
D. 259,492	6/1981	Swayze	.....	D16/209
2,169,548	8/1939	Zapp	.....	354/172
3,165,991	1/1965	Yoshida	.....	354/288



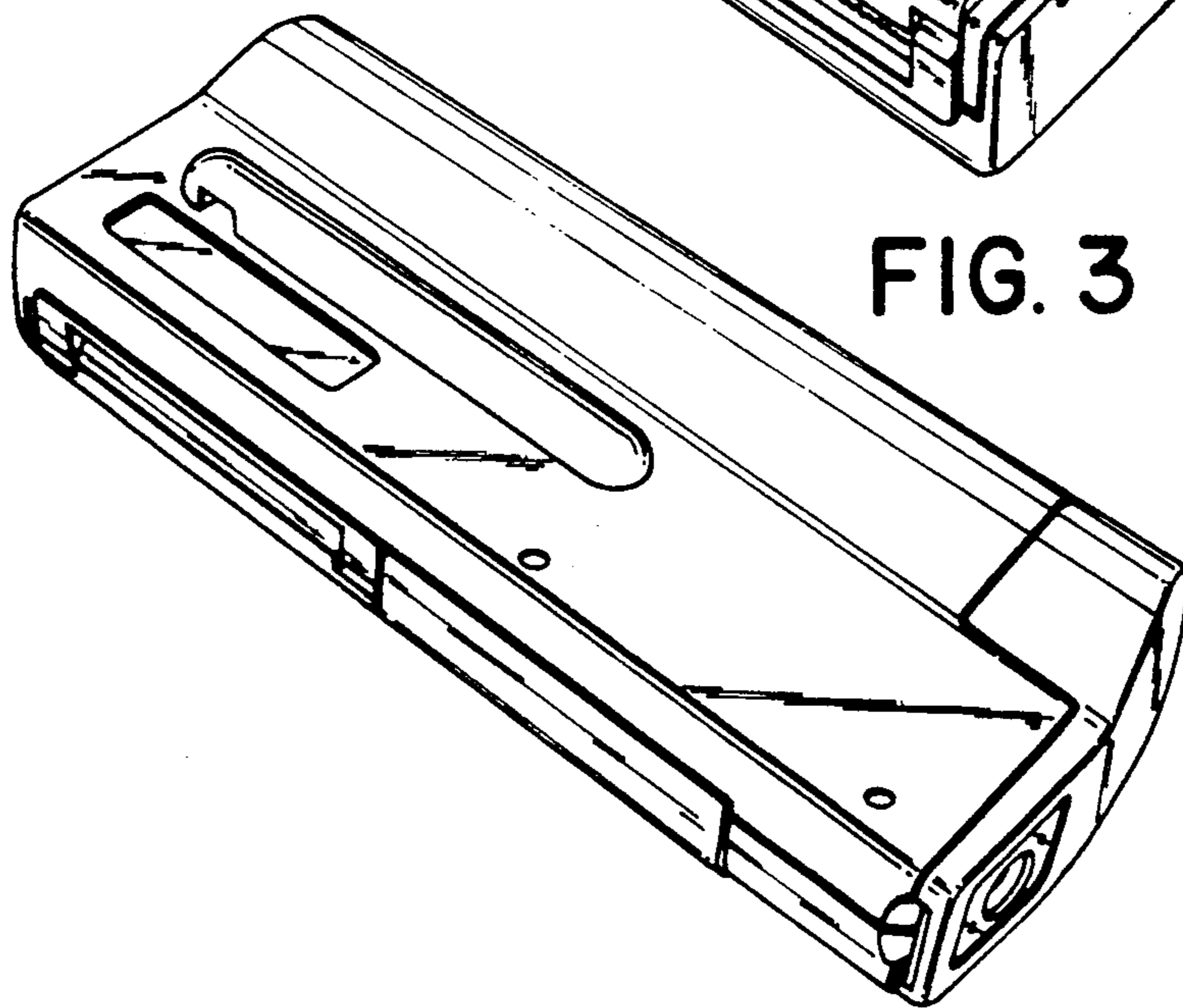
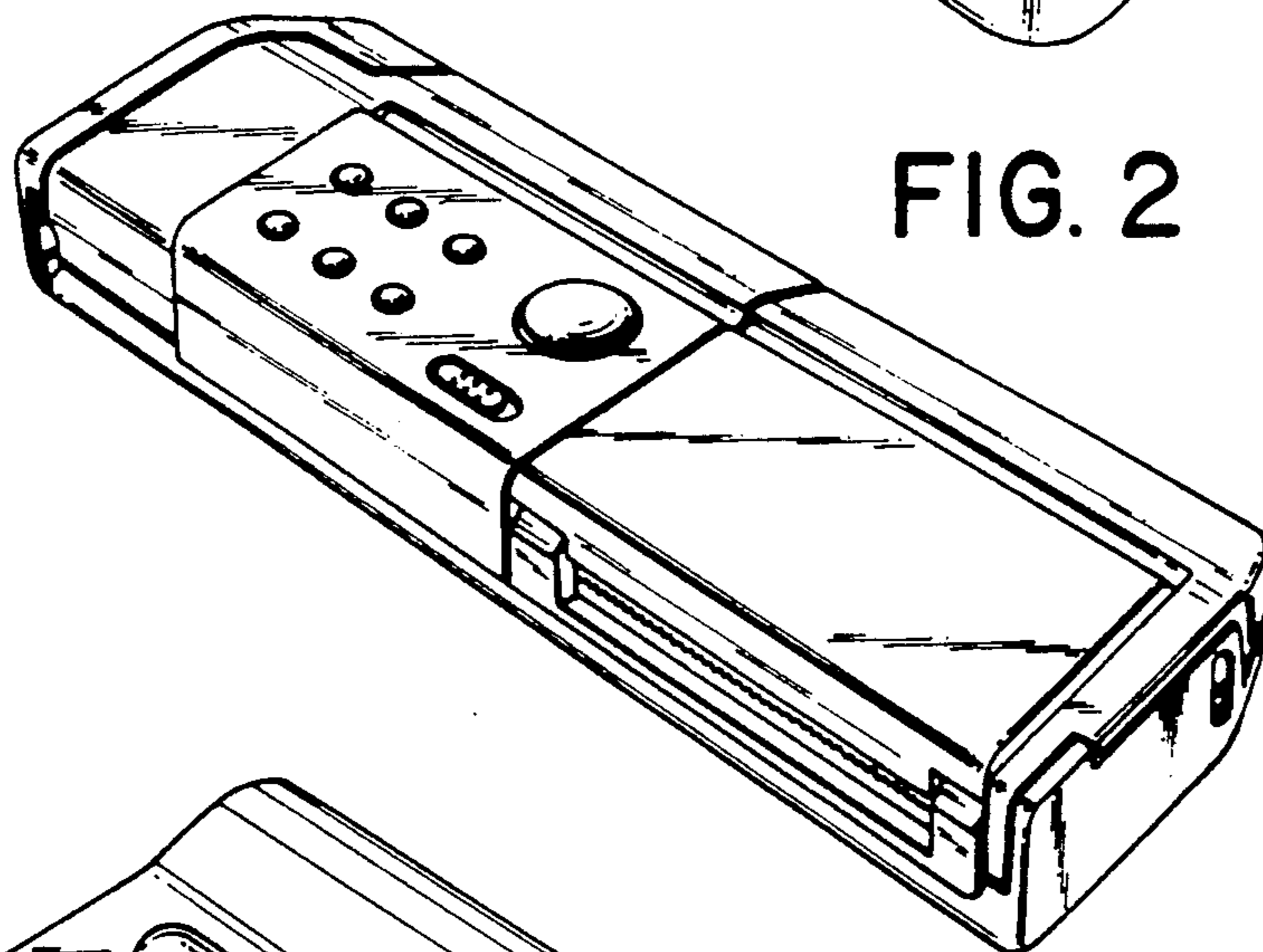
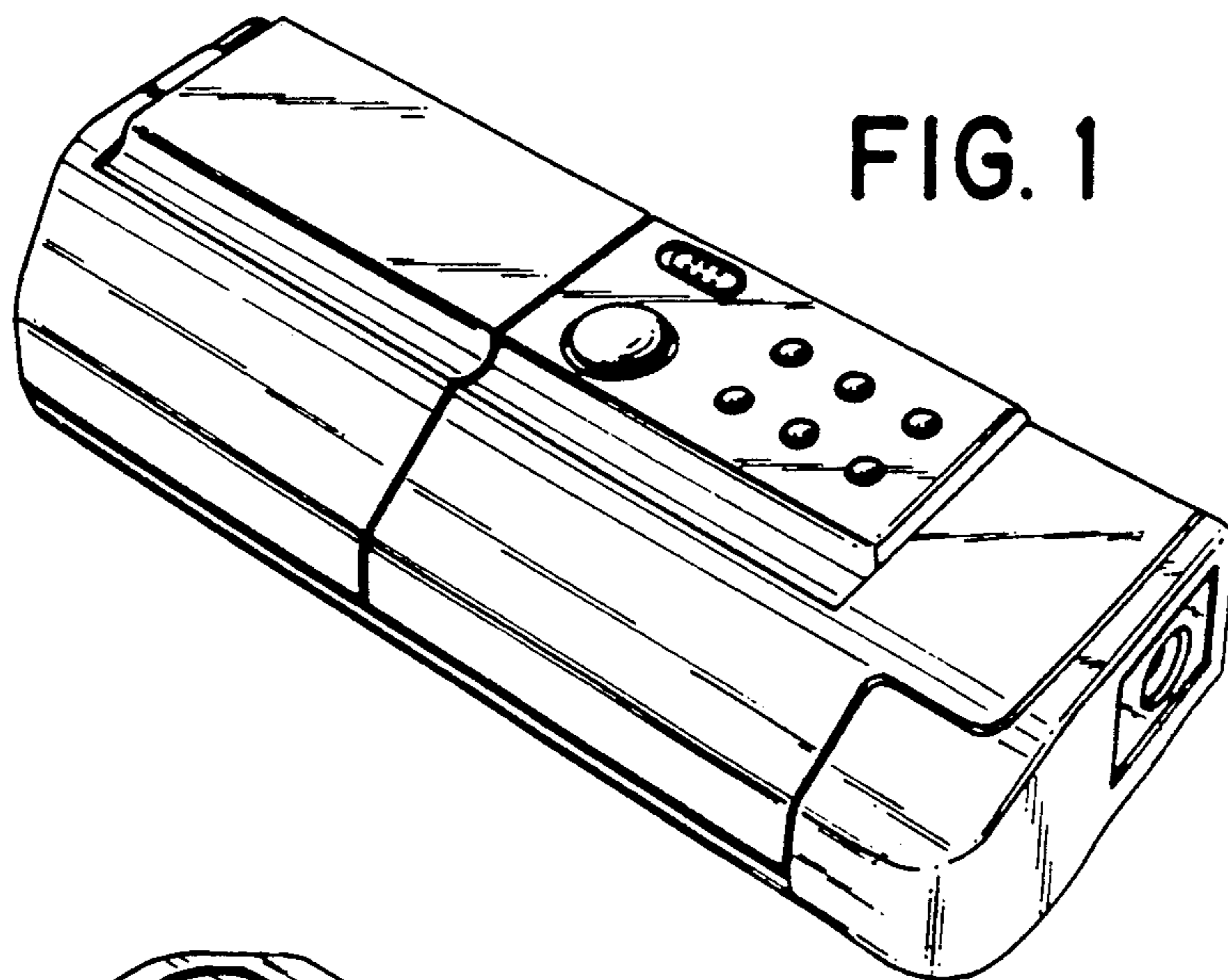


FIG. 4

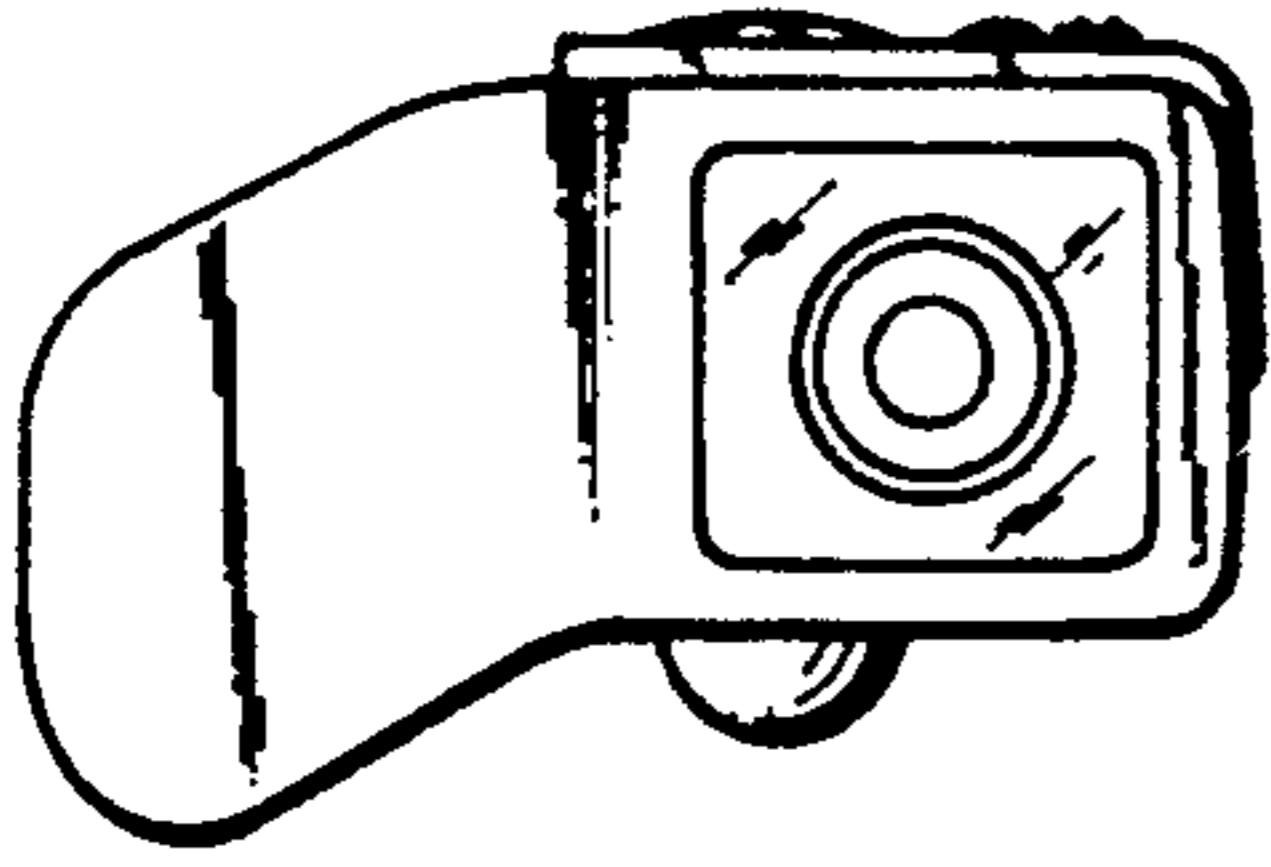


FIG. 5

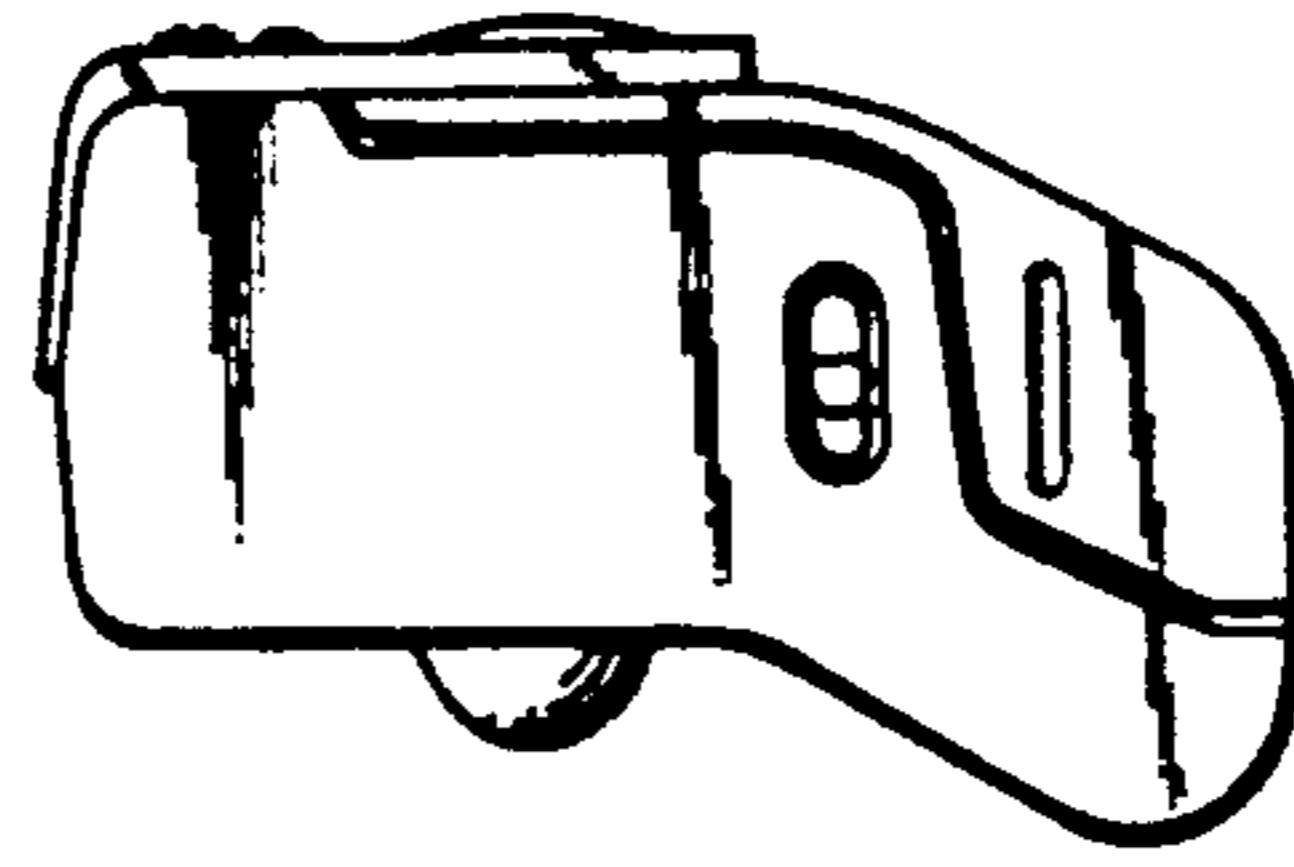


FIG. 6

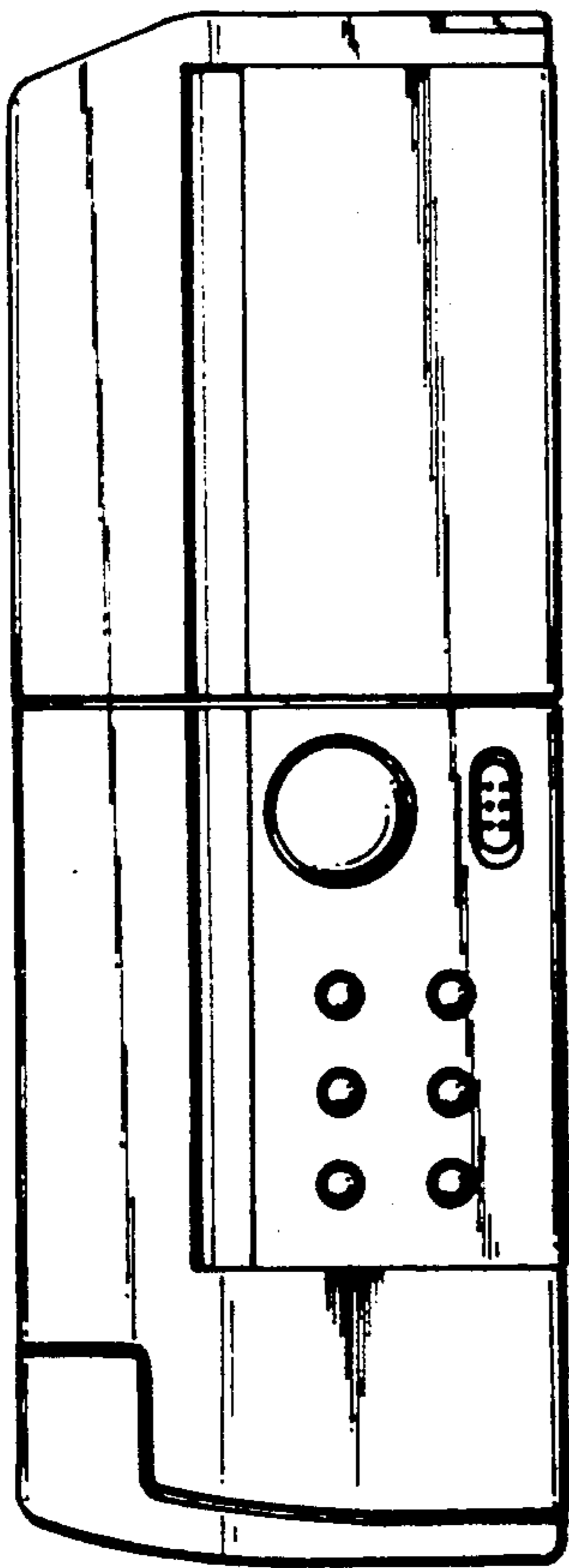


FIG. 7

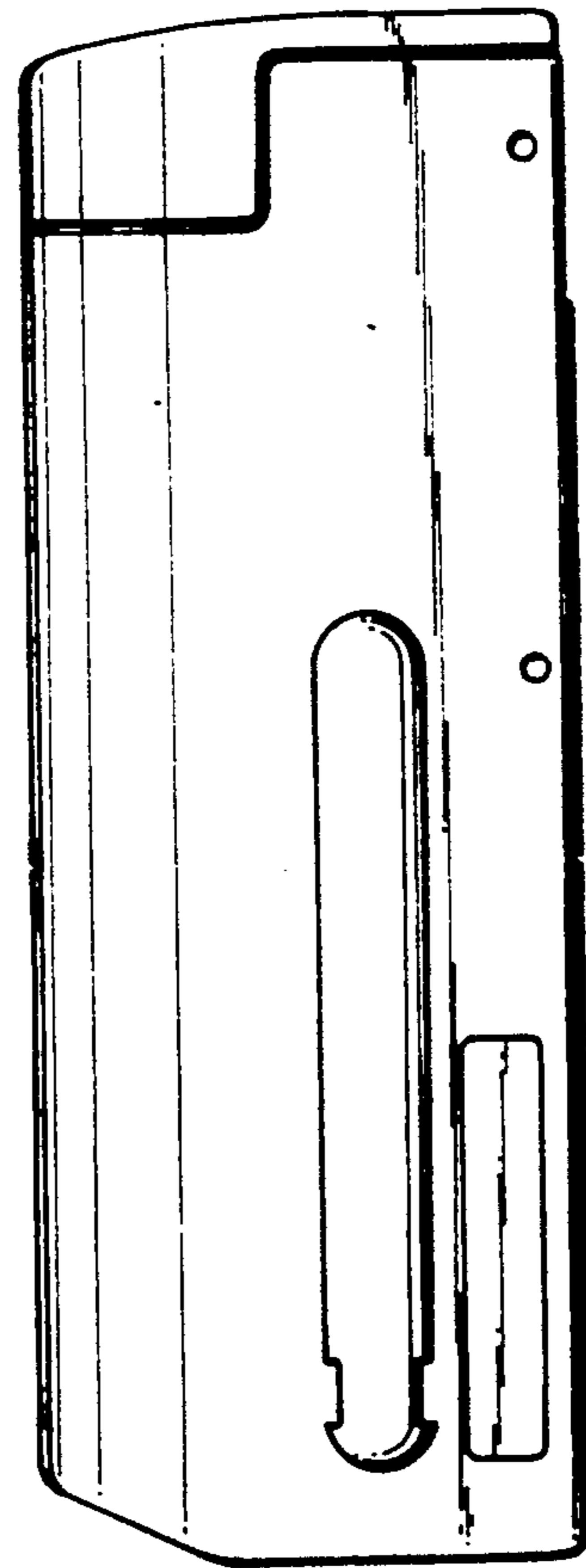


FIG. 8

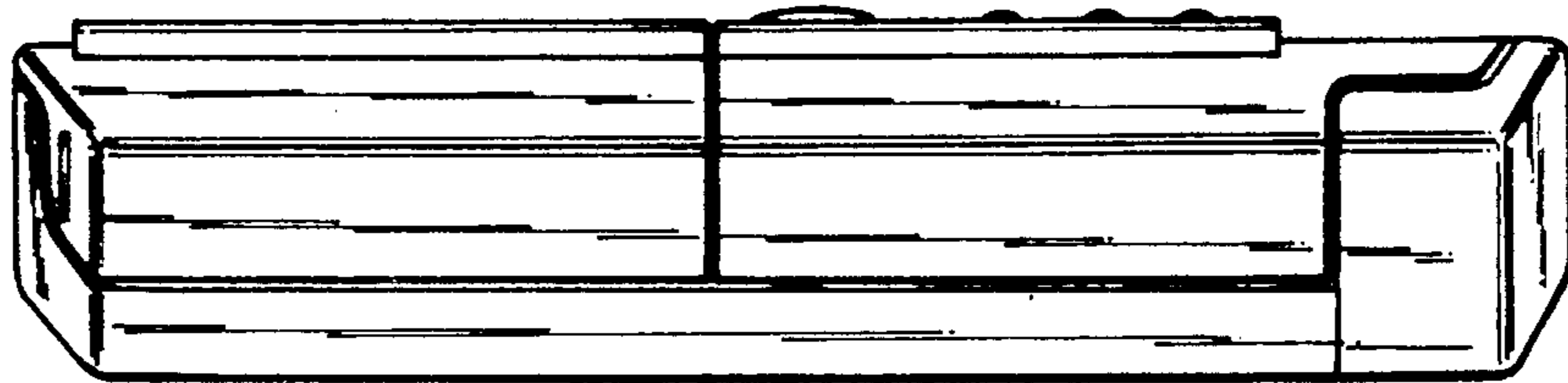


FIG. 9

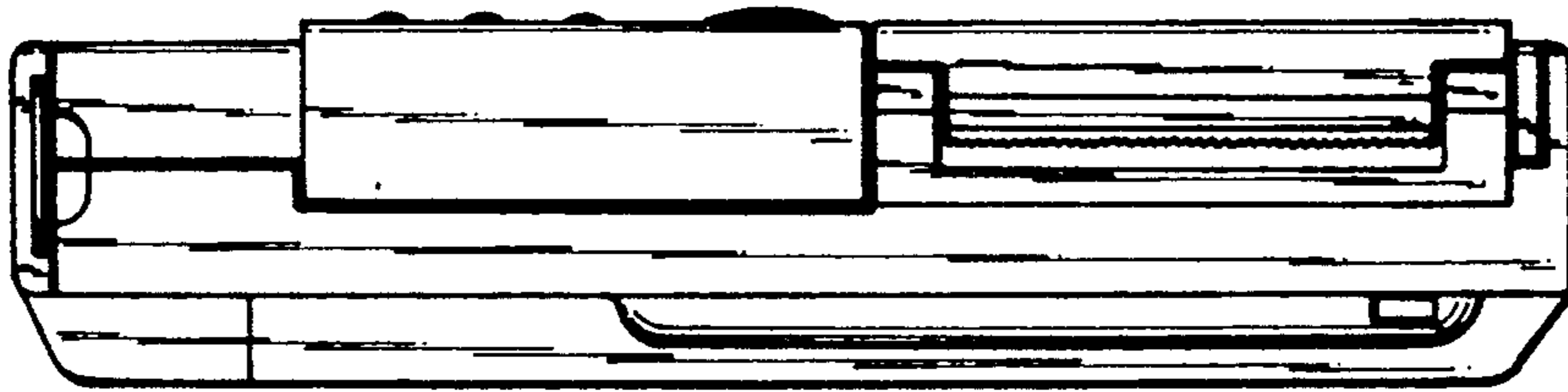


FIG. 10

