



US00D329859S

# United States Patent [19]

[11] Patent Number: **Des. 329,859**

Gustafsson et al.

[45] Date of Patent: **\*\* Sep. 29, 1992**

## [54] CUTOFF INSERT

[75] Inventors: **Lars-Erik Gustafsson**, Sandviken, Sweden; **Lars T. Pettersson**, Glen Rock, N.J.

[73] Assignee: **Sandvik AB**, Sandviken, Sweden

[\*\*] Term: **14 Years**

[21] Appl. No.: **418,483**

[22] Filed: **Oct. 10, 1989**

[52] U.S. Cl. .... **D15/139**

[58] Field of Search ..... **D15/139, 140; 83/845; 407/114, 115, 116, 117**

## [56] References Cited

### U.S. PATENT DOCUMENTS

D. 275,760	10/1984	Cochran	.....	D15/139
D. 278,716	5/1985	Pano	.....	D15/139
D. 284,011	5/1986	Pano	.....	D15/139
D. 306,032	2/1990	Mihic	.....	D15/139
2,677,170	5/1954	Kuns et al.	.....	D15/139 X
4,340,325	6/1982	Gowanlock	.....	D15/139 X
4,778,311	10/1988	Niemi	.....	407/116
4,844,668	7/1989	Pettersson	.....	407/116 X
4,946,319	8/1990	Lyon et al.	.....	407/115
4,992,007	2/1991	Satran	.....	407/116 X
4,992,008	2/1991	Pano	.....	407/115 X
5,004,378	4/1991	Little	.....	407/116 X

## FOREIGN PATENT DOCUMENTS

2804072 8/1978 Fed. Rep. of Germany ..... 407/115

## OTHER PUBLICATIONS

Teledyne Firth Sterling Cutting Tools, Atar Atal, Aug. 1981, pp. 44-48.

Valenite, Total Capability Tooling Manual, TRG & TRH Styles, May 1984 p. 189.

Kennam et al./81, Top Notch Threading and Grooving Inserts, ©1980, p. 34.

*Primary Examiner*—Donald P. Walsh

*Assistant Examiner*—Antoine D. Davis

*Attorney, Agent, or Firm*—Burns, Doane, Swecker & Mathis

## [57] CLAIM

The ornamental design for a cutoff insert, as shown and described.

## DESCRIPTION

FIG. 1 is a front perspective view of a cutoff insert showing my new design;

FIG. 2 is a rear perspective view;

FIG. 3 is a front elevational view;

FIG. 4 is a bottom plan view;

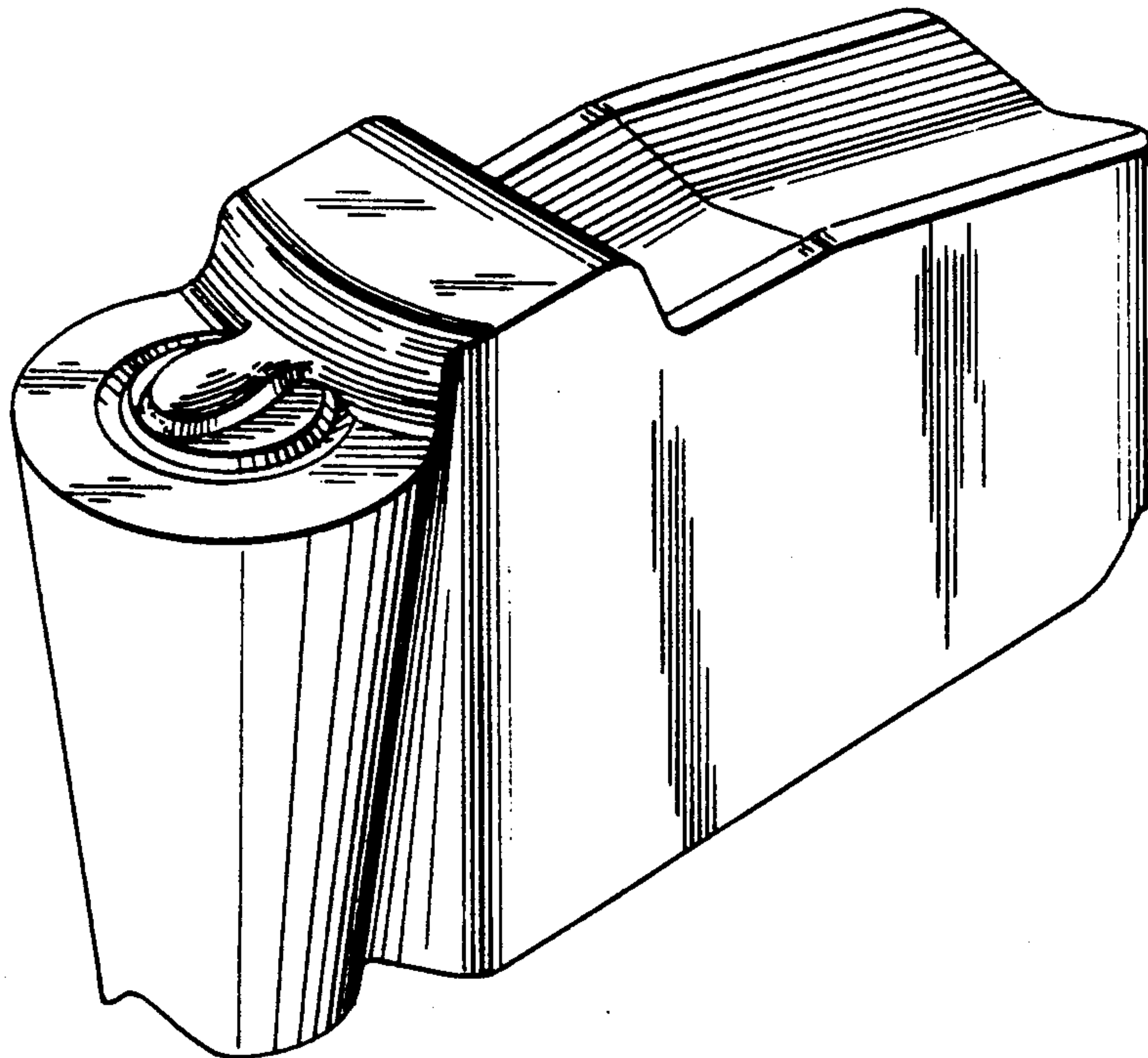
FIG. 5 is a left side elevational view;

FIG. 6 is a top plan view;

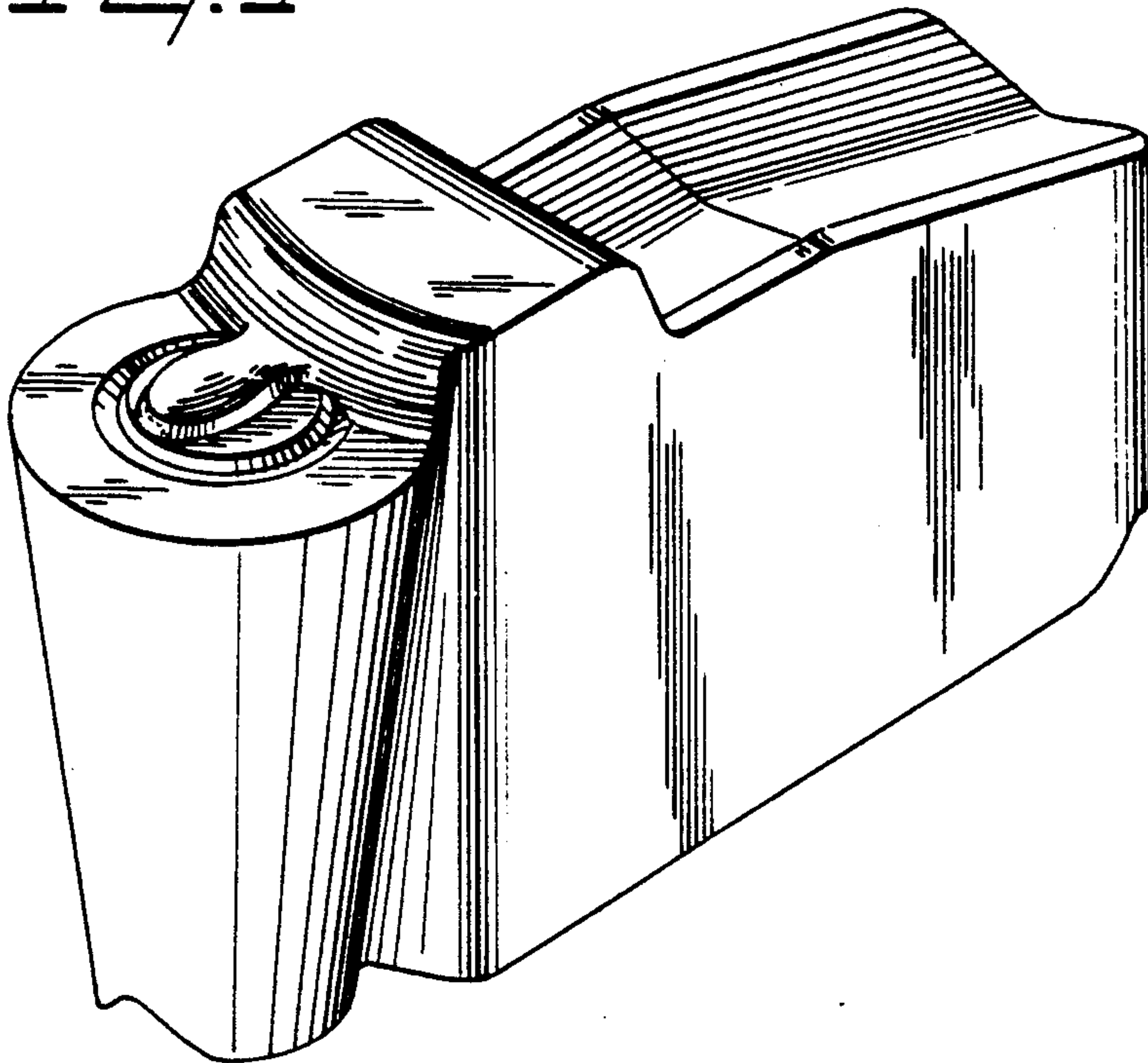
FIG. 7 is a rear elevational view; and,

FIG. 8 is a right side elevational view thereof.

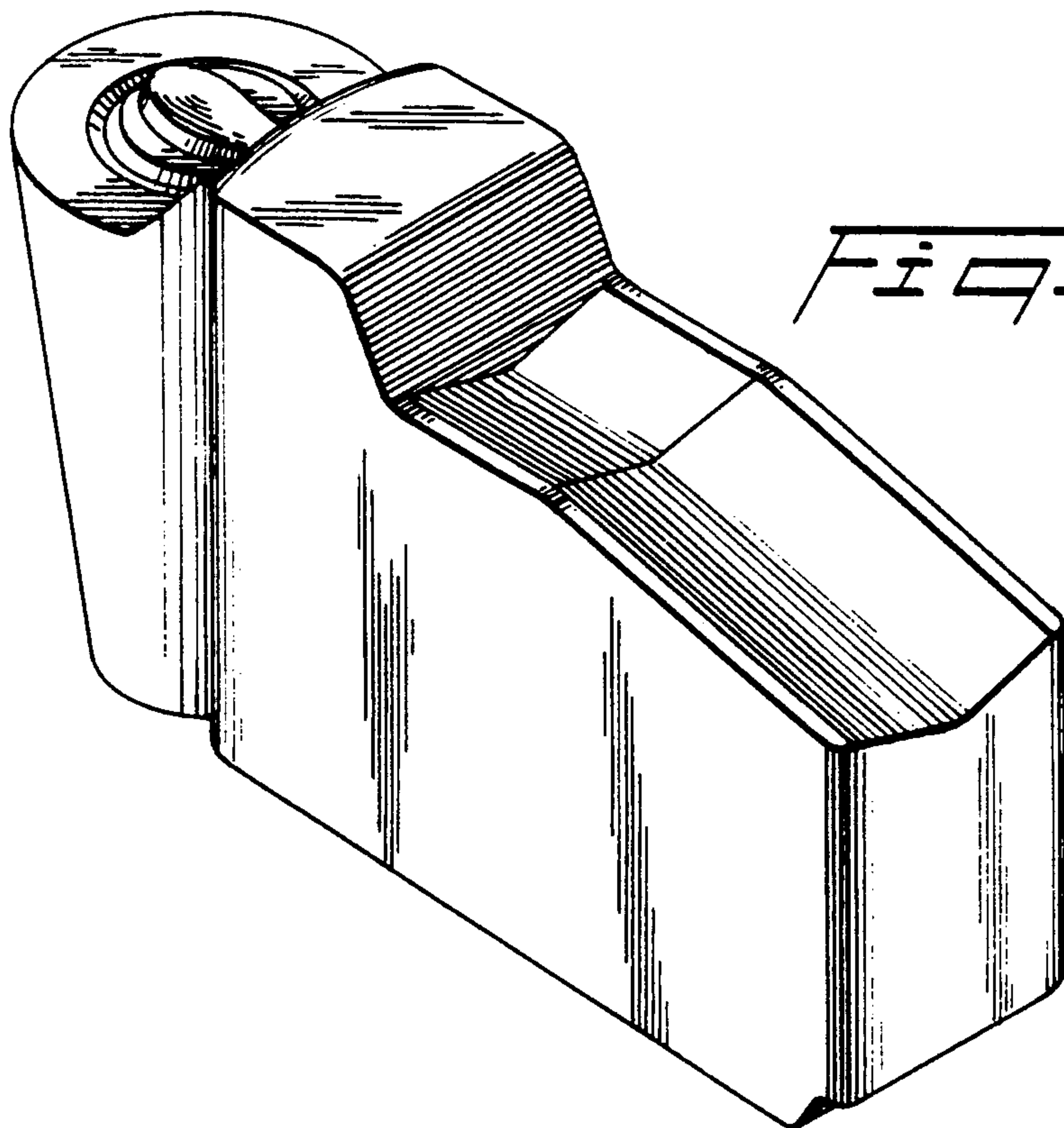
FIGS. 1 and 2 have been drawn on an enlarged scale with respect to FIGS. 3-8 thereof.



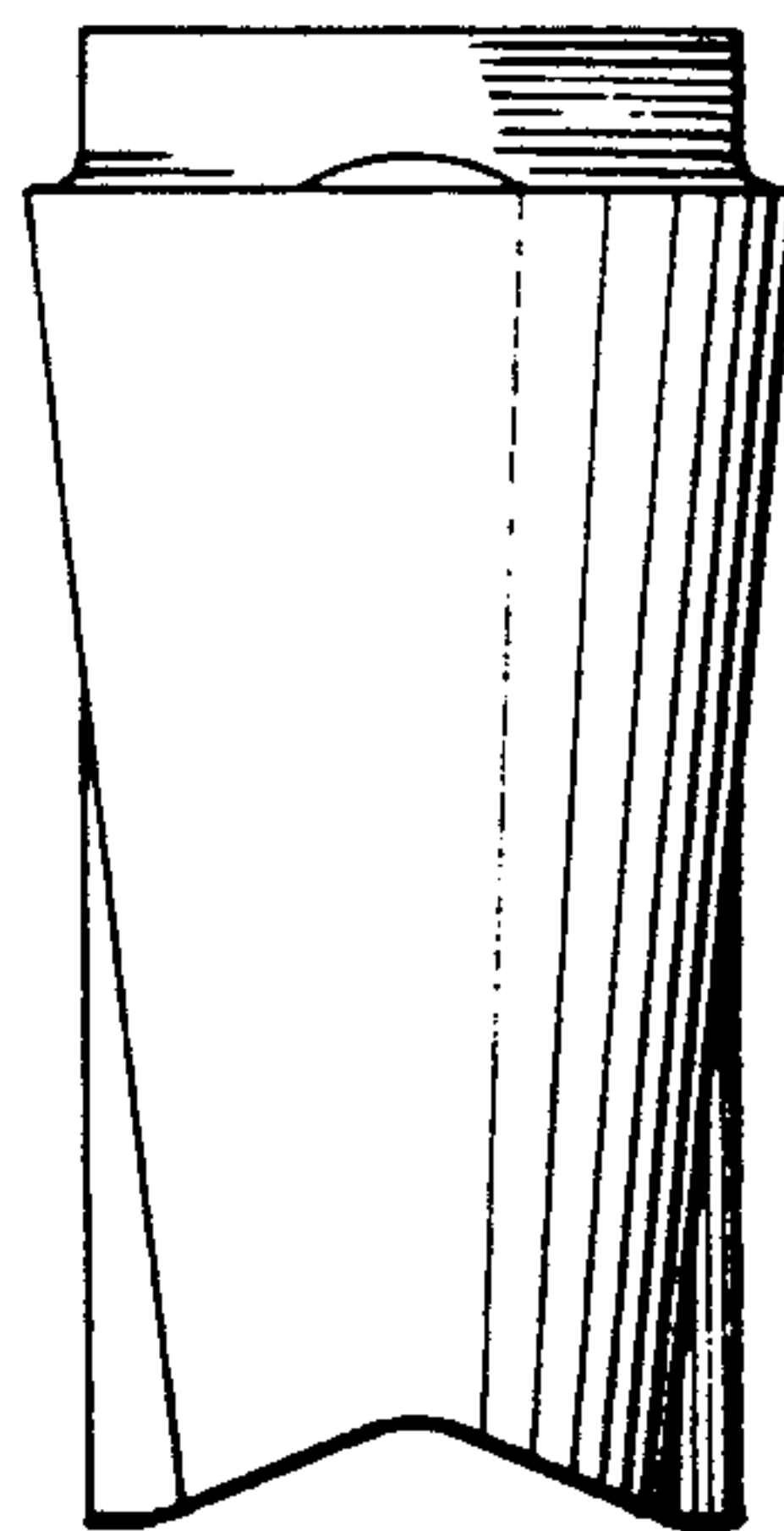
*Fig. 1*



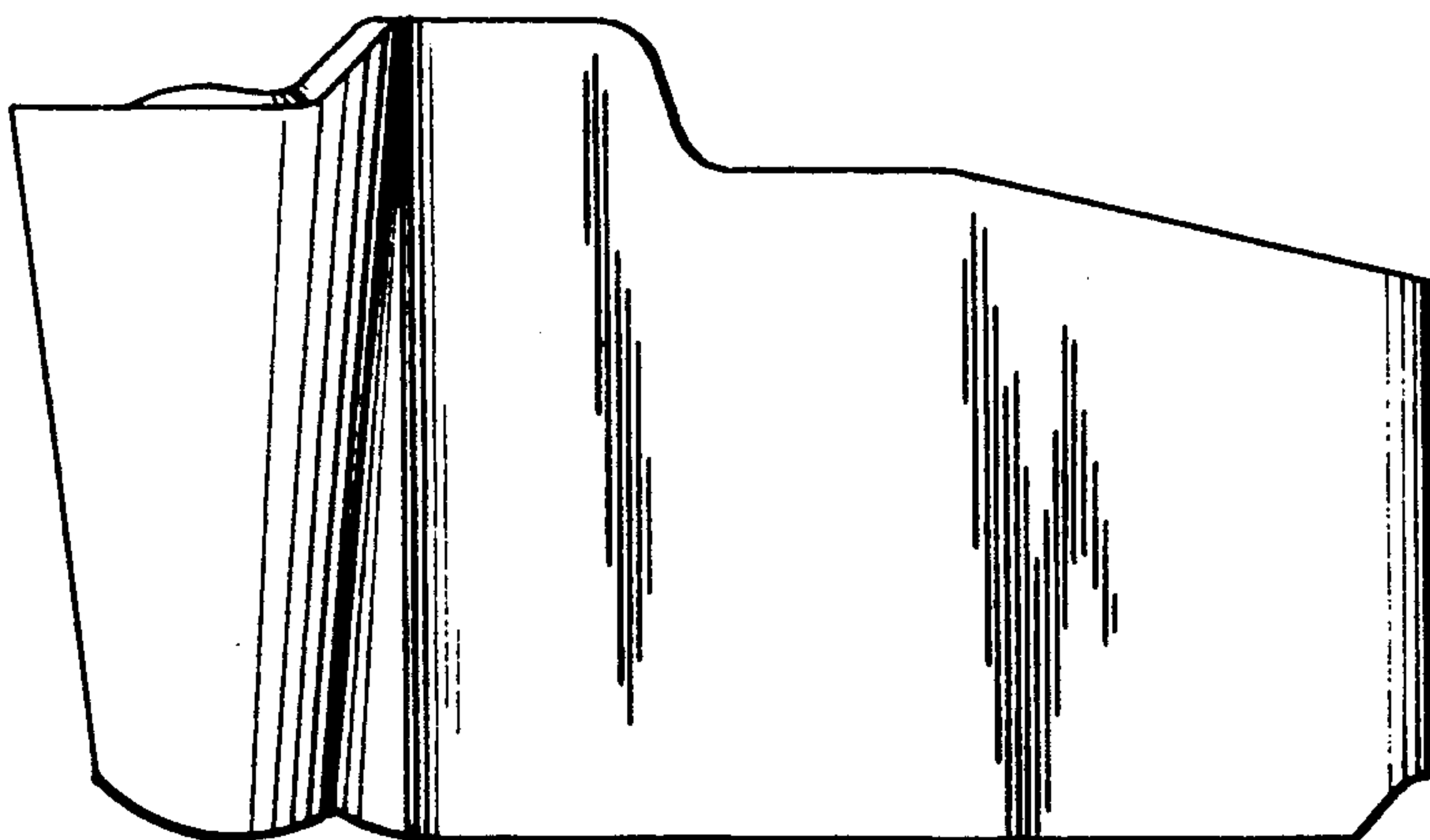
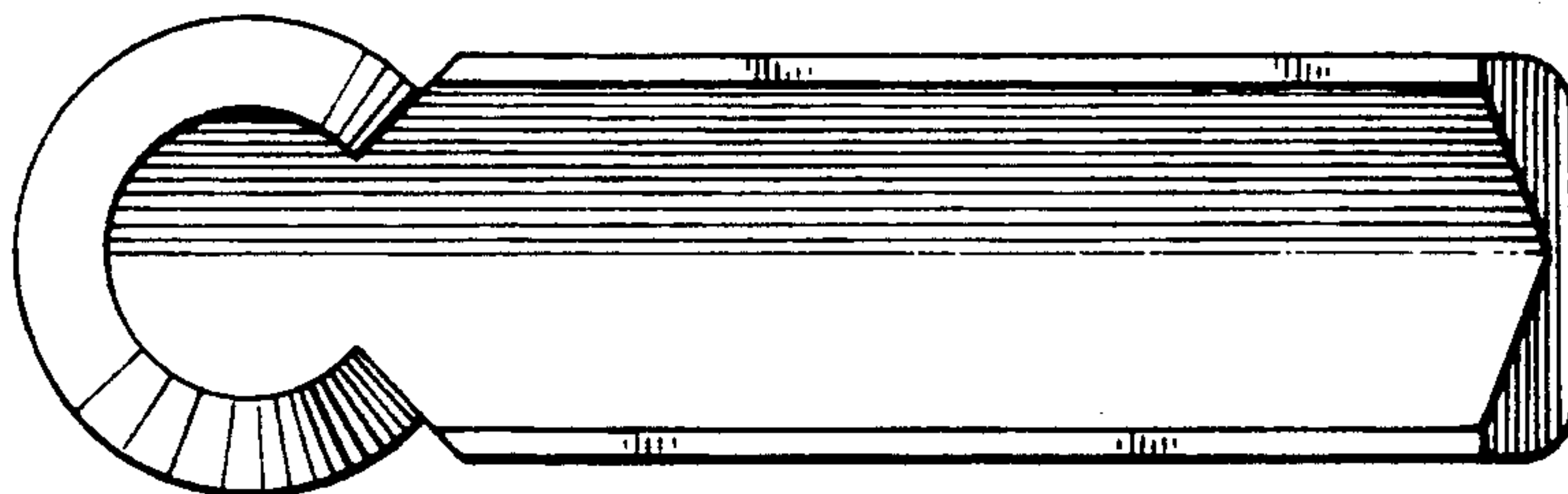
*Fig. 2*



*Fig. 3*

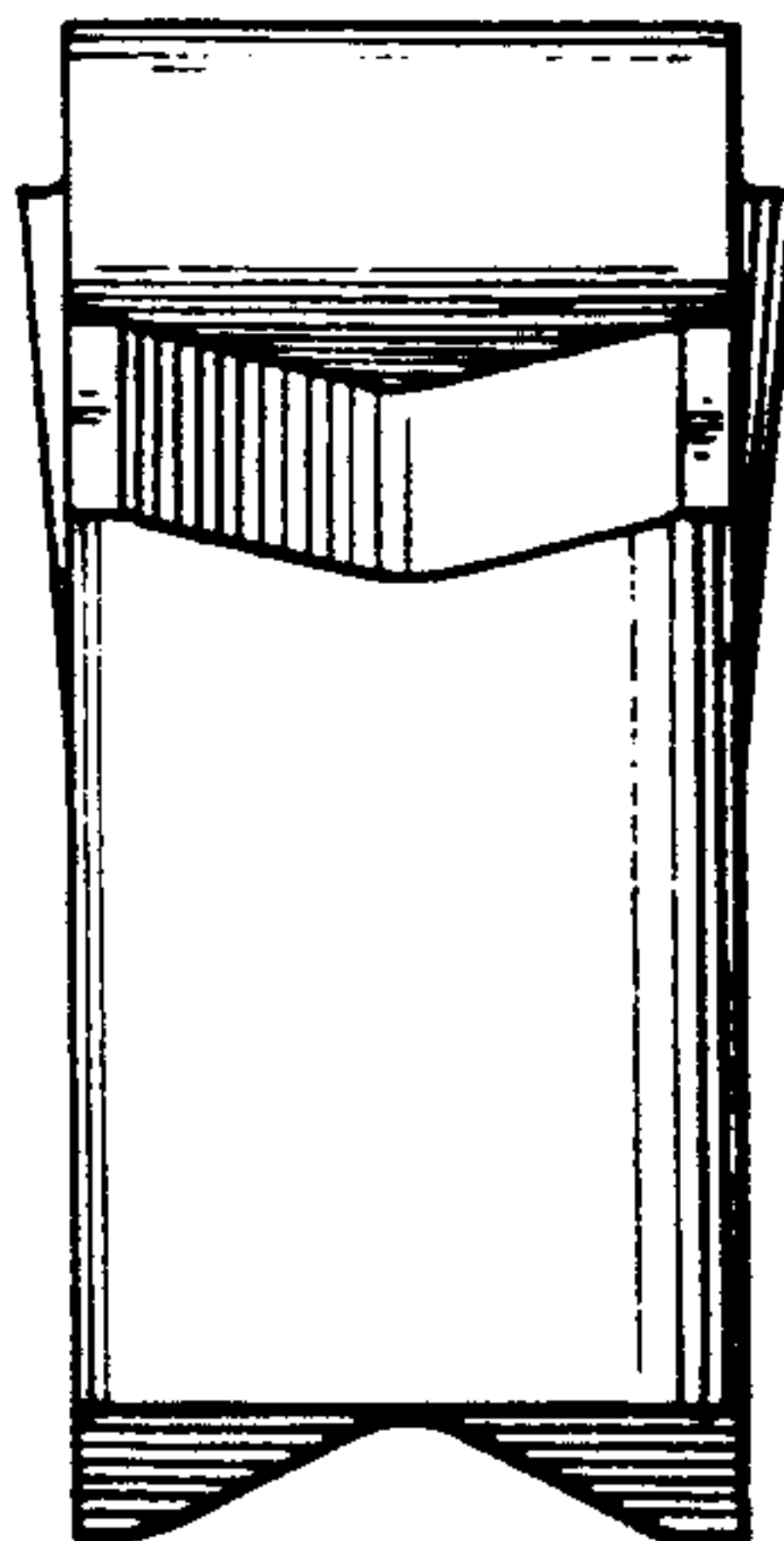


*Fig. 4*

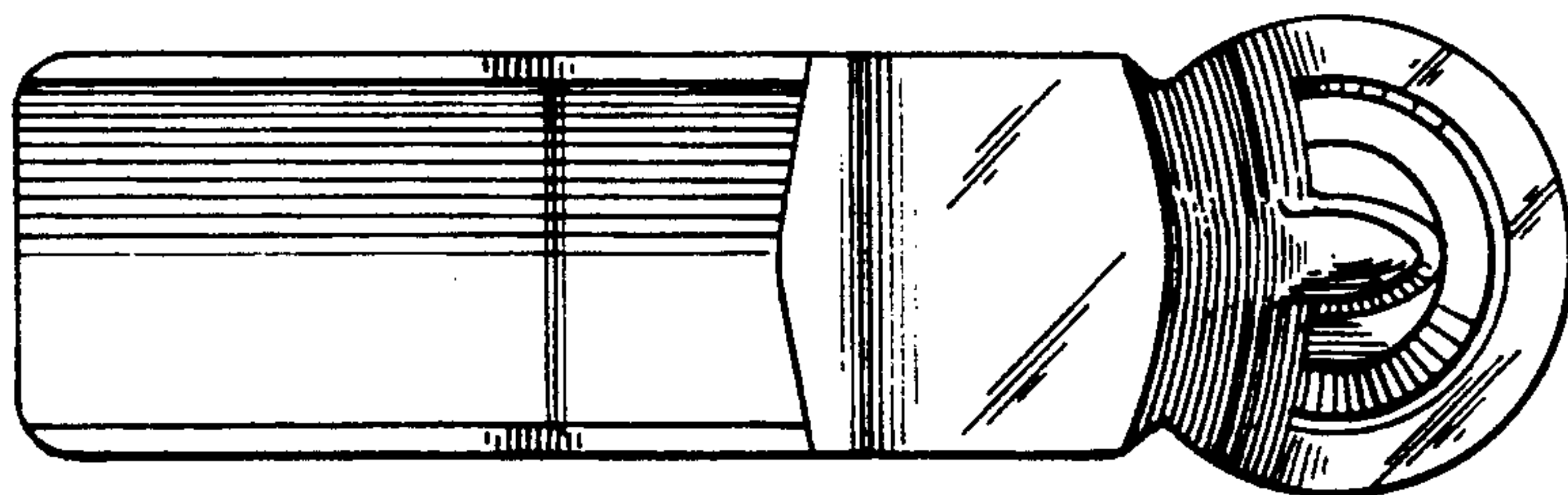


*Fig. 5*

*Fig. 7*



*Fig. 6*



*Fig. 8*

