



US00D329858S

United States Patent [19]

Gustafsson et al.

[11] Patent Number: **Des. 329,858**

[45] Date of Patent: **** Sep. 29, 1992**

[54] CUTOFF INSERT

5,004,378 4/1991 Little 407/116 X

[75] Inventors: **Lars-Erik Gustafsson**, Sandviken, Sweden; **Lars T. Pettersson**, Glen Rock, N.J.

FOREIGN PATENT DOCUMENTS

2804072 8/1978 Fed. Rep. of Germany 407/115

[73] Assignee: **Sandvik AB**, Sandviken, Sweden

OTHER PUBLICATIONS

[**] Term: **14 Years**

Teledyne Firth Sterling Cutting Tools, Atar Atal, Aug. 1981, pp. 44-48.

[21] Appl. No.: **406,116**

Valenite, Total Capability Tooling Manual, TRG & TRH Styles, May 1984 p. 189.

[22] Filed: **Sep. 12, 1989**

Kennam et al./81, Top Notch Threading and Grooving Inserts, ©1980, p. 34.

[30] Foreign Application Priority Data

Mar. 14, 1989 [SE] Sweden 890653

Primary Examiner—Donald P. Walsh

Assistant Examiner—Antoine D. Davis

[52] U.S. Cl. **D15/139**

Attorney, Agent, or Firm—Burns, Doane, Swecker & Mathis

[58] Field of Search D15/139, 140; 83/845; 407/114, 115, 116, 117

[57] CLAIM

[56] References Cited

The ornamental design for a cutoff insert, as shown and described.

U.S. PATENT DOCUMENTS

D. 275,760	10/1984	Cochran	D15/139
D. 278,716	5/1985	Pano	D15/139
D. 284,011	5/1986	Pano	D15/139
D. 306,032	2/1990	Mihic	D15/139
2,677,170	5/1954	Kuns et al.	D15/139 X
4,340,325	6/1982	Gowanlock	D15/139 X
4,778,311	10/1988	Niemi	407/116
4,844,668	7/1989	Pettersson	407/116 X
4,946,319	8/1990	Lyon et al.	407/115
4,992,007	2/1991	Satran	407/116 X
4,992,008	2/1991	Pano	407/115 X

DESCRIPTION

FIG. 1 is a top, front and right side perspective view of a cutoff insert showing our new design; FIG. 2 is a top, rear and right side perspective view; FIG. 3 is a front elevational view; FIG. 4 is a bottom plan view; FIG. 5 is a right side elevational view; FIG. 6 is a top plan view; FIG. 7 is a rear elevational view; and, FIG. 8 is a left side elevational view thereof.

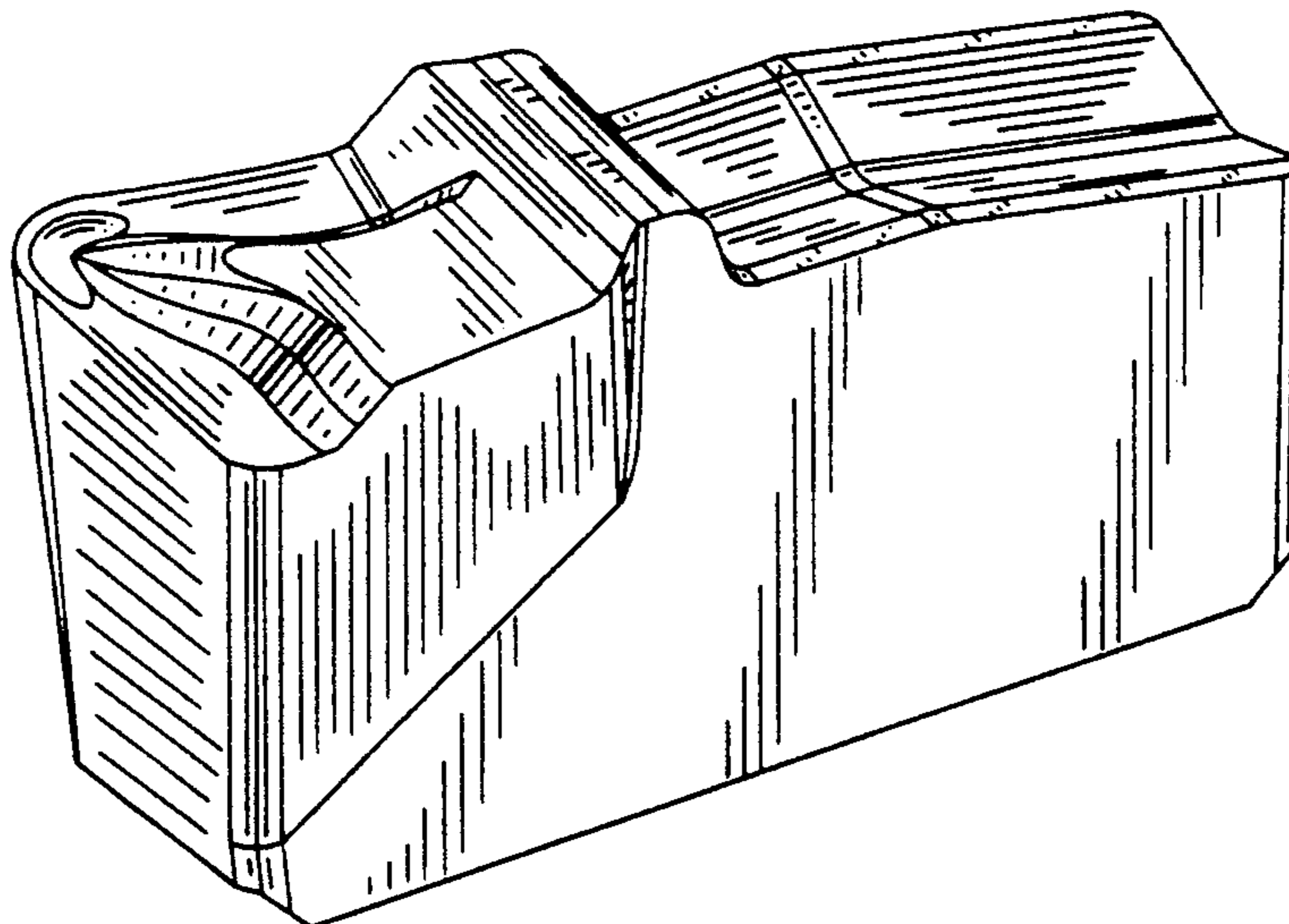


FIG. 1

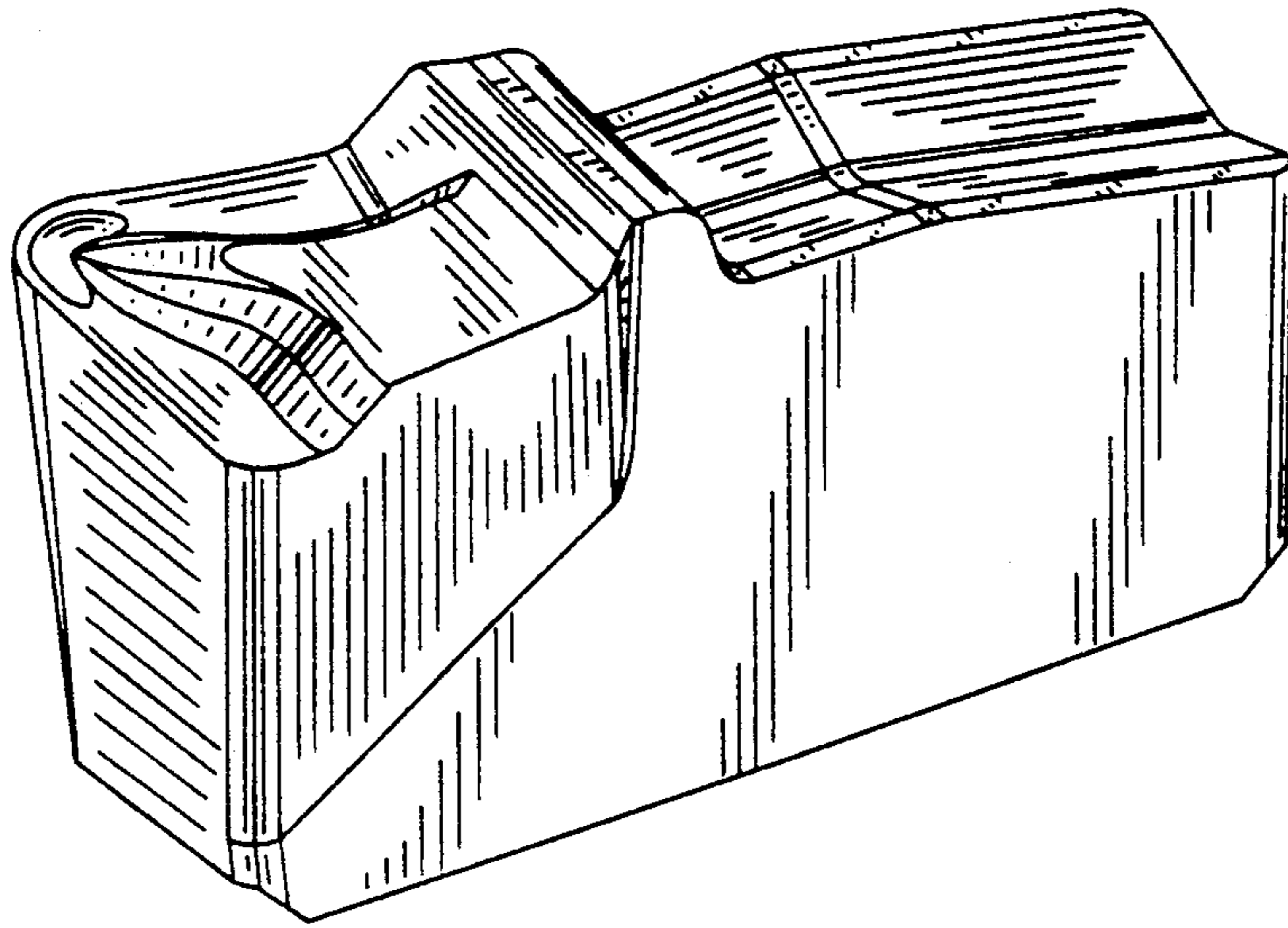


FIG. 2

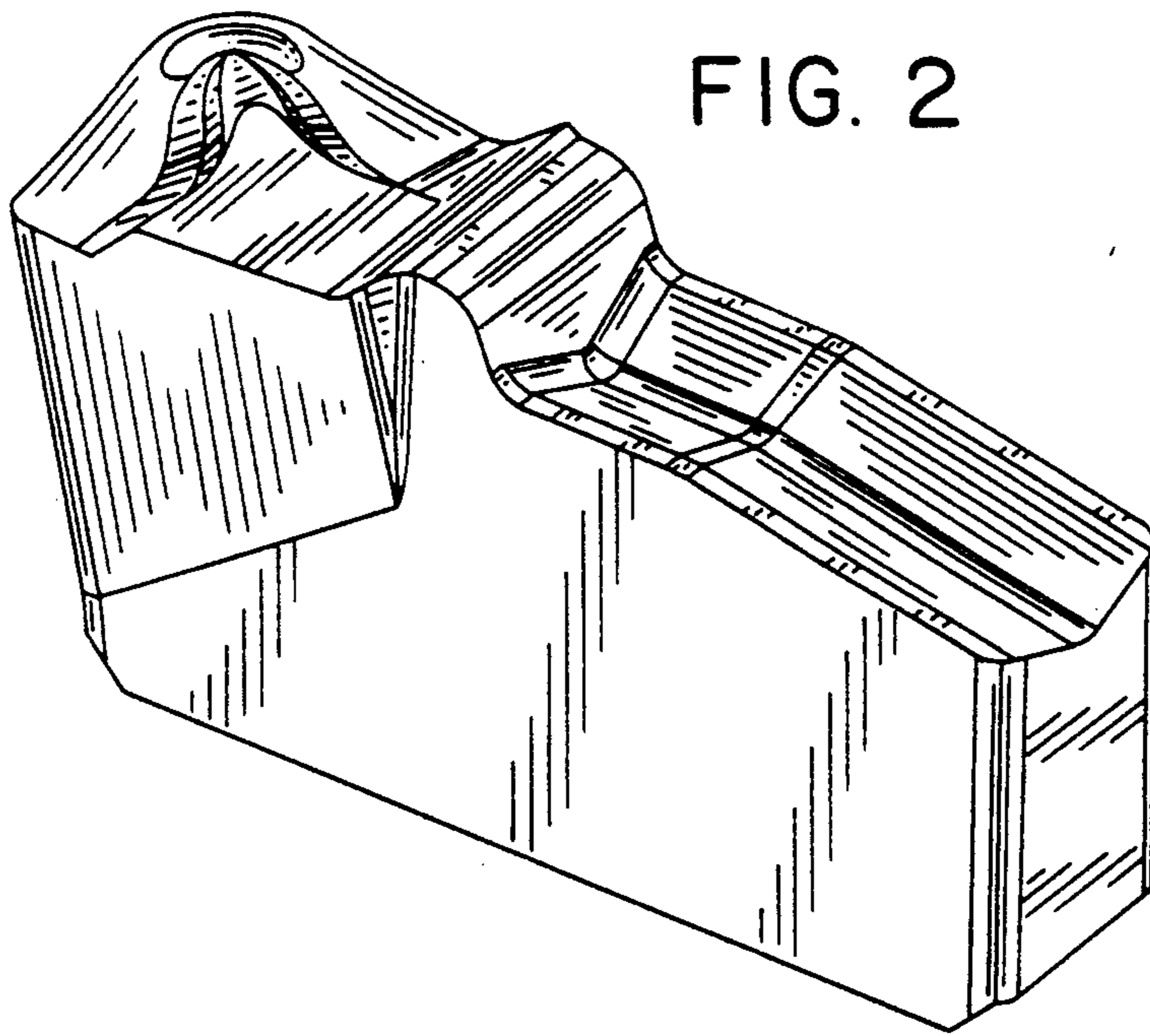


FIG. 3

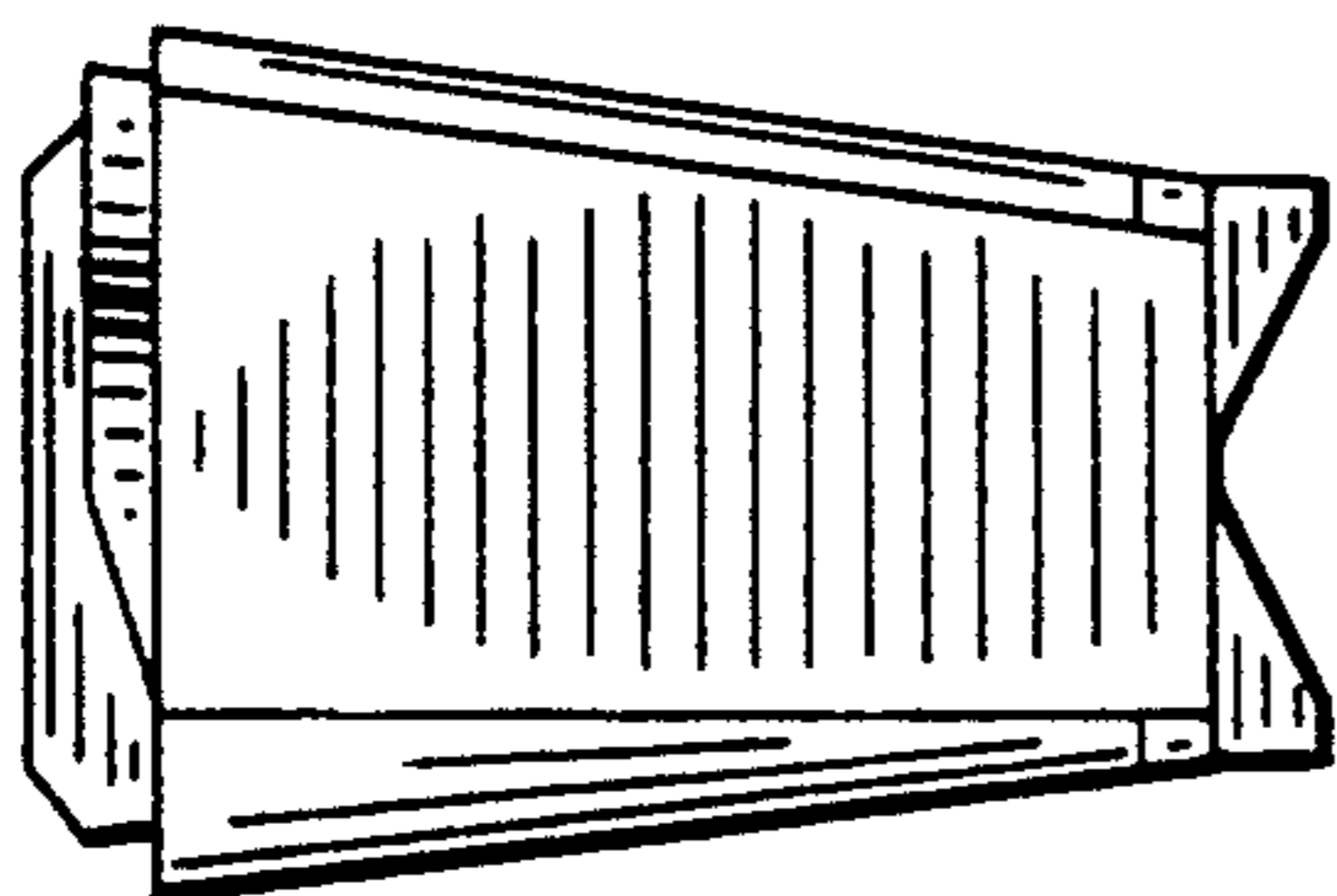


FIG. 4

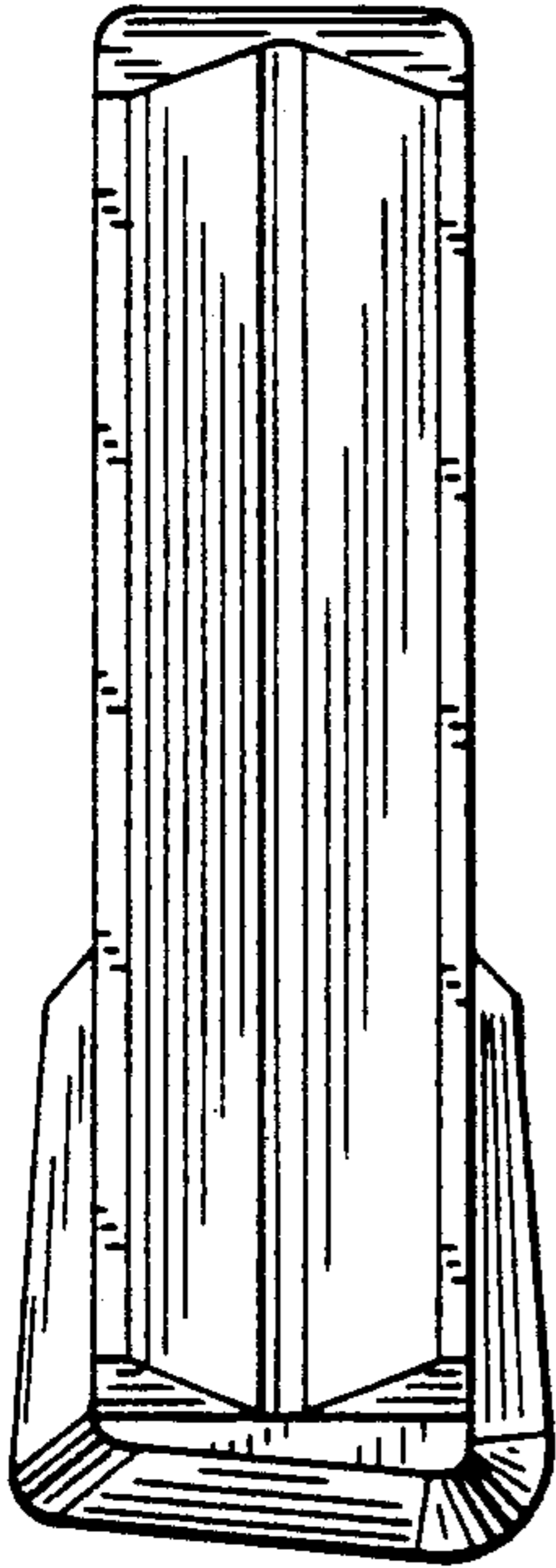


FIG. 5

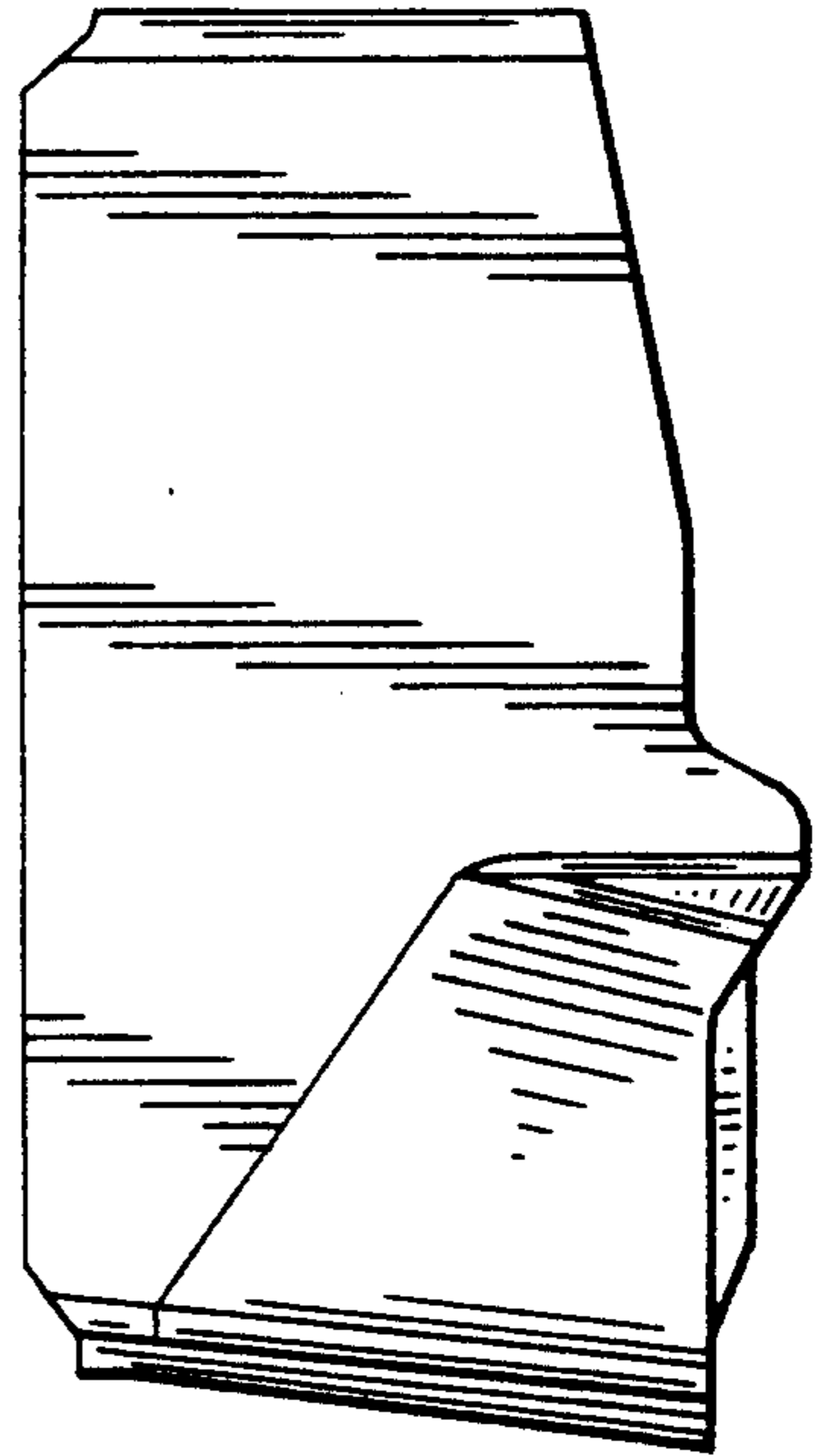


FIG. 7

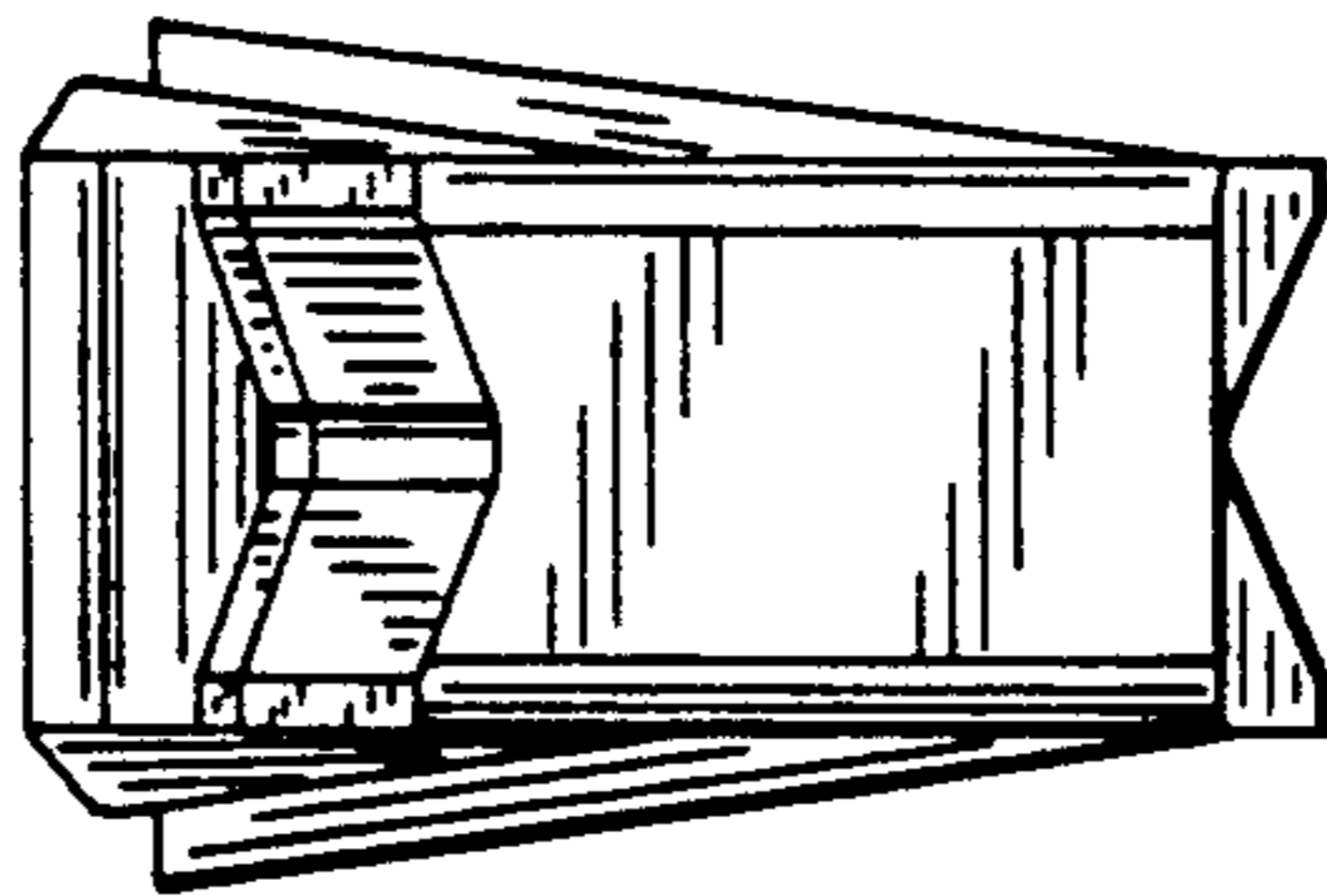


FIG. 6

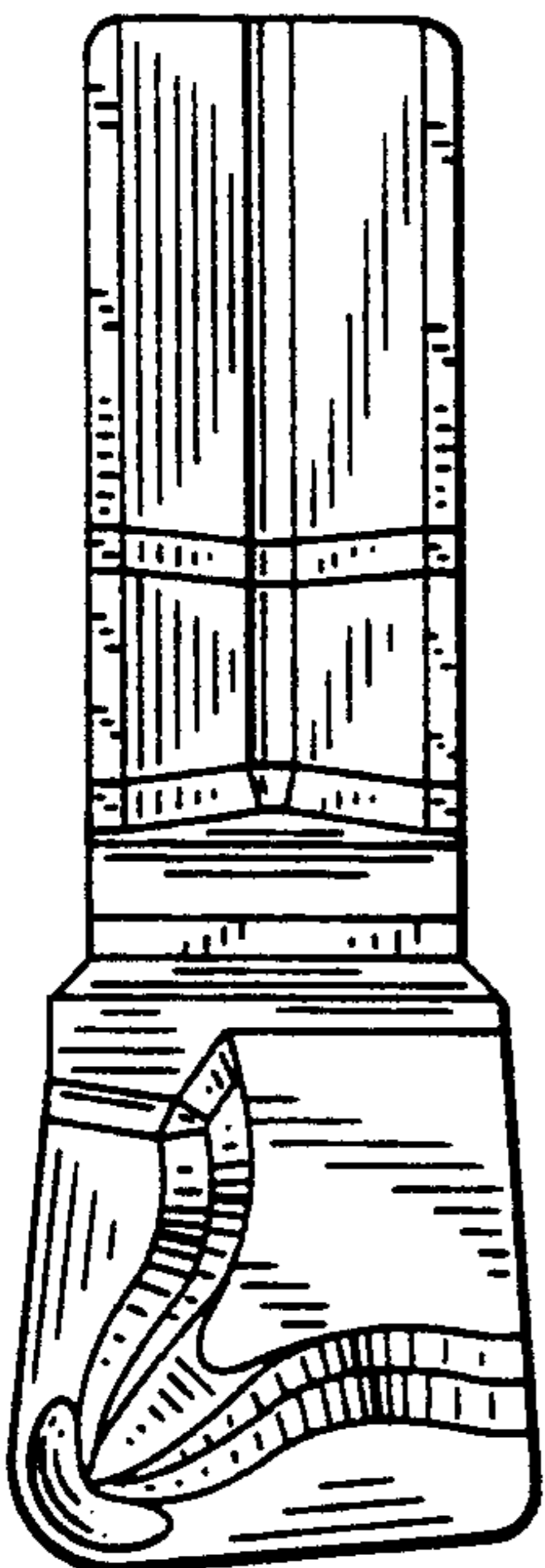


FIG. 8

