



US00D329855S

United States Patent [19]

[11] Patent Number: **Des. 329,855**

Horikiri et al.

[45] Date of Patent: **** Sep. 29, 1992**

[54] **AUDIO TAPE CASSETTE**

D. 316,258 4/1991 Yonehara D14/121
D. 316,259 4/1991 Yonehara D14/121

[75] Inventors: **Kazuhisa Horikiri; Makoto Isozaki,**
both of Tokyo, Japan

OTHER PUBLICATIONS

HFD, May 29, 1989, p. 103, Cassette.

[73] Assignee: **Fuji Photo Film Co., Ltd., Kanagawa,**
Japan

Primary Examiner—Theodore M. Shooman
Attorney, Agent, or Firm—Young & Thompson

[**] Term: **14 Years**

[57] CLAIM

[21] Appl. No.: **493,838**

The ornamental design for an audio tape cassette, as shown.

[22] Filed: **Feb. 28, 1990**

[30] Foreign Application Priority Data

DESCRIPTION

Sep. 25, 1989 [JP] Japan 1-34856

[52] U.S. Cl. **D14/121**

FIG. 1 is a bottom, front and left side perspective view of an audio tape cassette showing our new design; **FIG. 2** is a front elevational view thereof; **FIG. 3** is a rear elevational view thereof; **FIG. 4** is a top plan view thereof; **FIG. 5** is a bottom plan view thereof; **FIG. 6** is a left side elevational view thereof; and, **FIG. 7** is a right side elevational view thereof.

[58] Field of Search D14/114, 120-122;
242/71.8, 197-199

[56] References Cited

U.S. PATENT DOCUMENTS

D. 289,637 5/1987 Ohya et al. D14/121

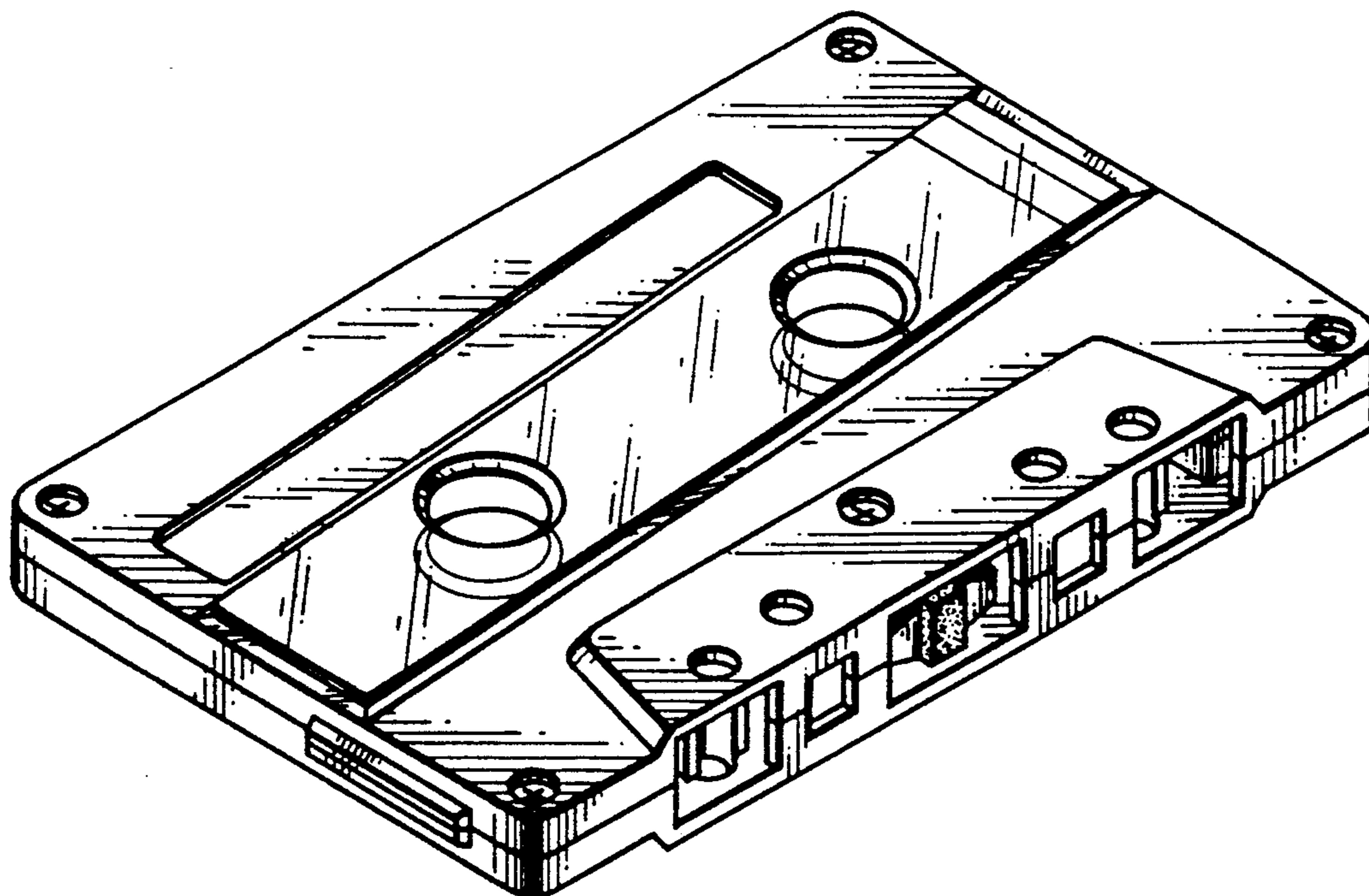


FIG. 1

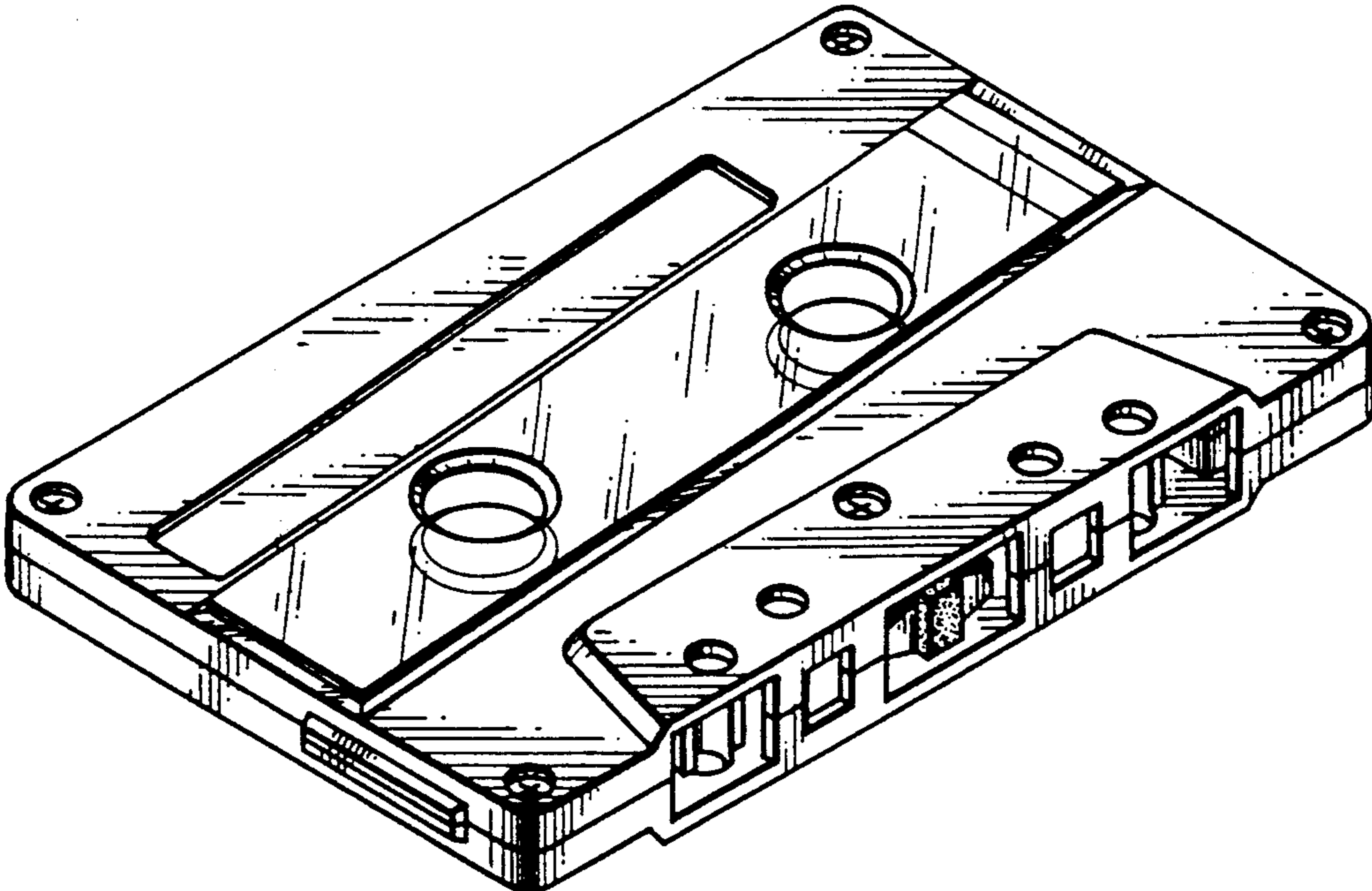


FIG. 2

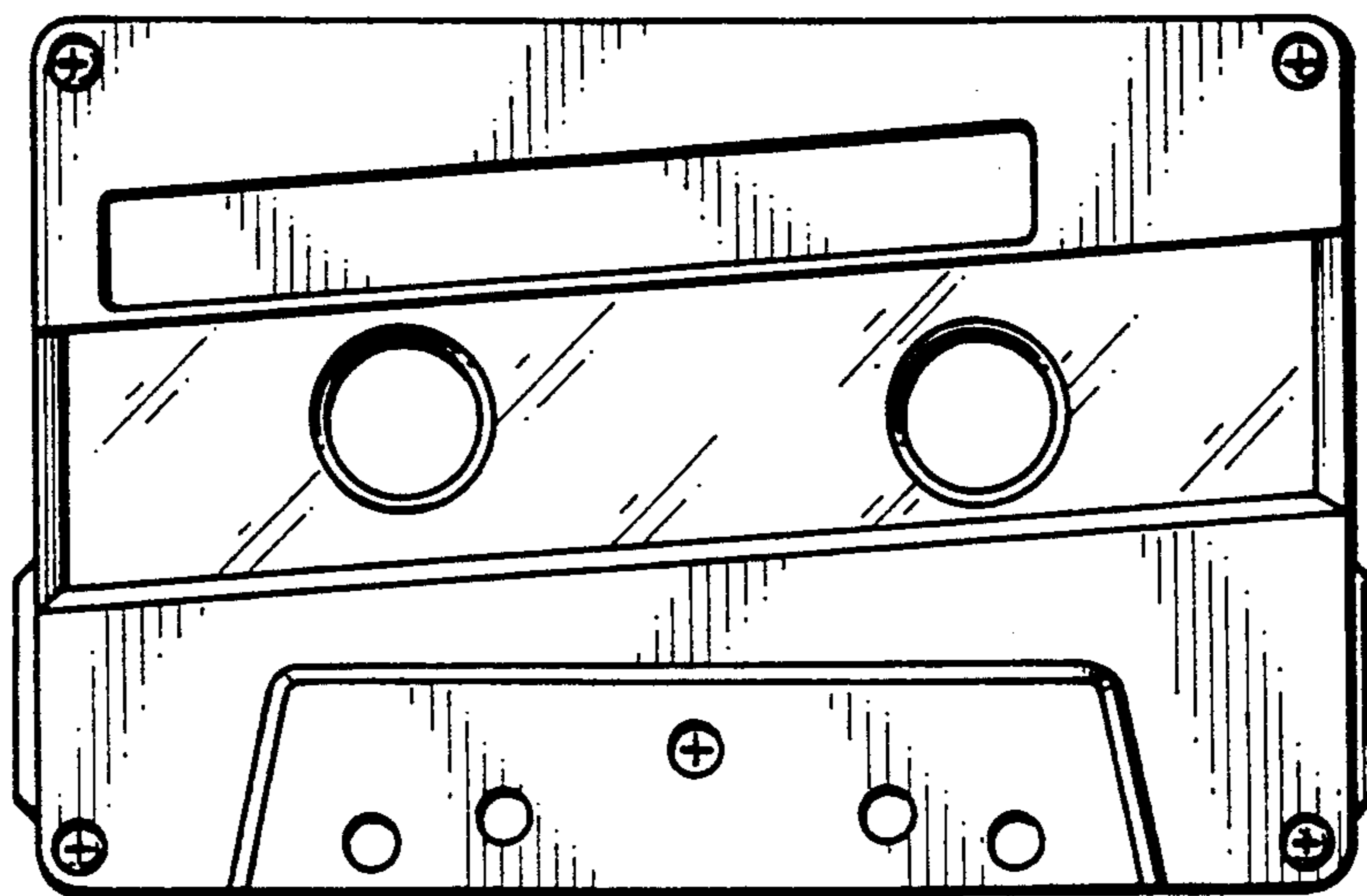


FIG. 3

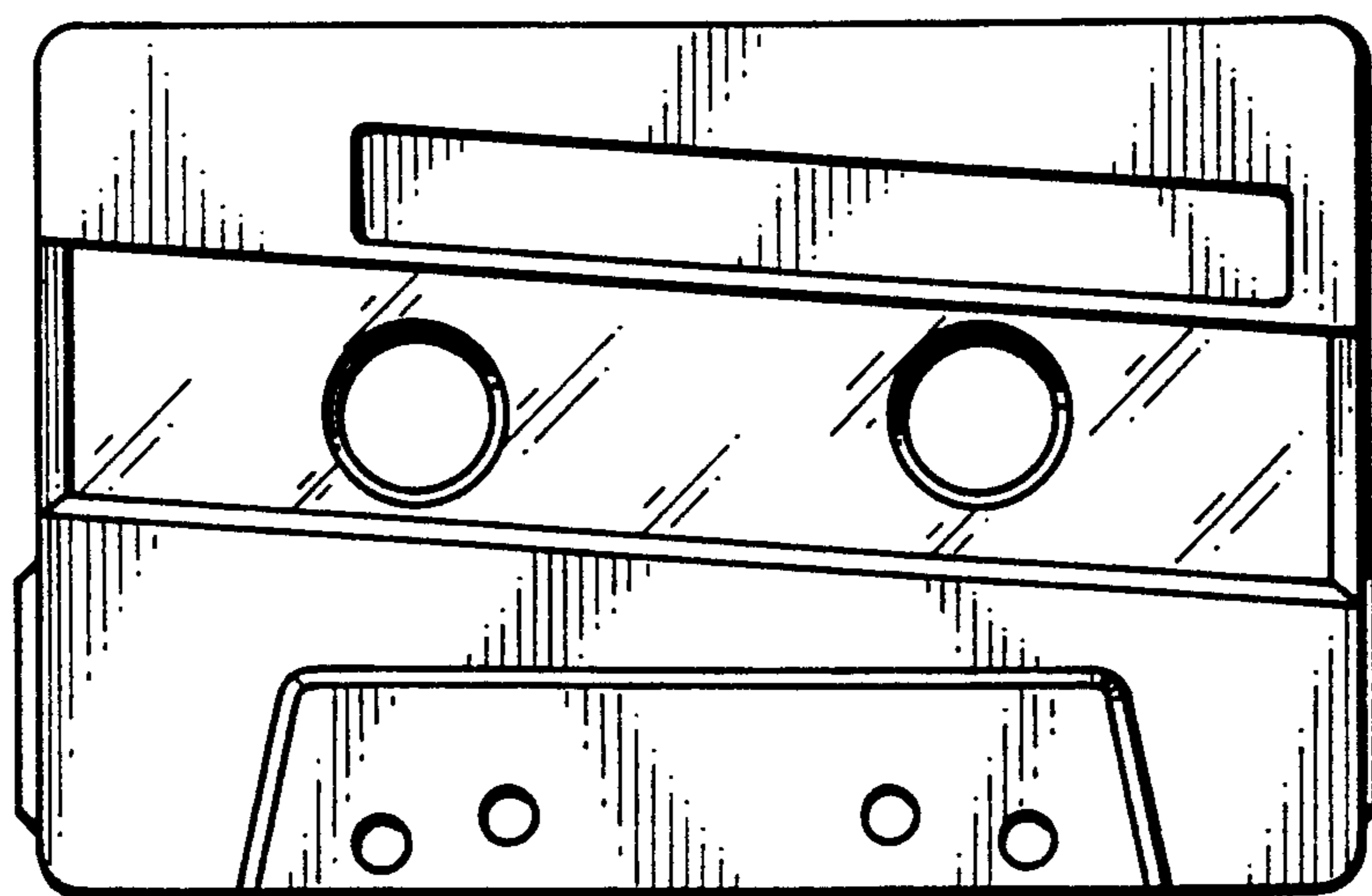


FIG. 4

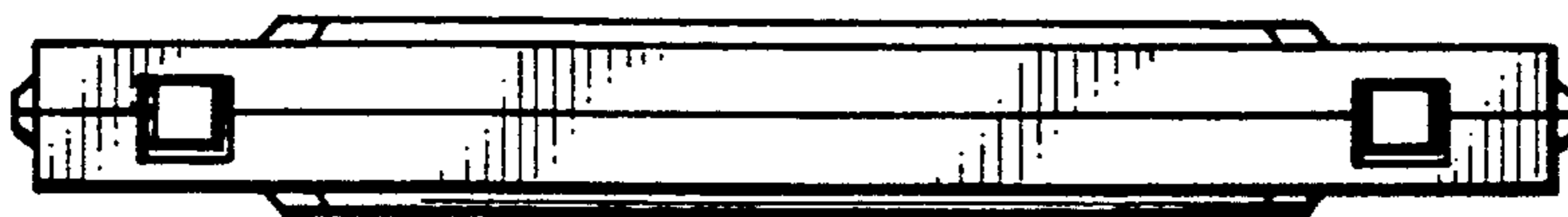


FIG. 5



FIG. 6

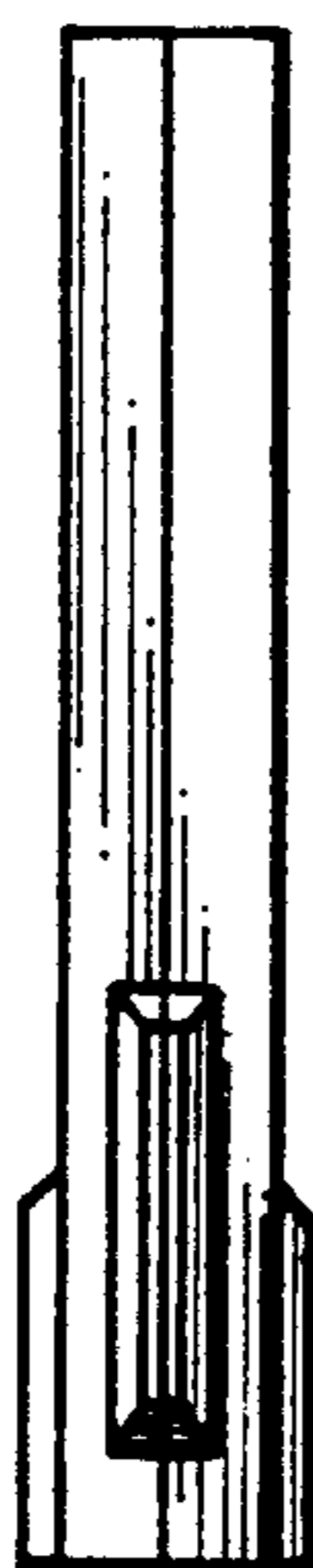


FIG. 7

