



US00D329854S

# United States Patent [19]

Isozaki

[11] Patent Number: Des. 329,854

[45] Date of Patent: \*\* Sep. 29, 1992

[54] DIGITAL AUDIO TAPE CASSETTE

[75] Inventor: Makoto Isozaki, Tokyo, Japan

[73] Assignee: Fuji Photo Film Co., Ltd., Kanagawa, Japan

[\*\*] Term: 14 Years

[21] Appl. No.: 483,787

[22] Filed: Feb. 23, 1990

[30] Foreign Application Priority Data

Sep. 8, 1989 [JP]	Japan	1-33021
[52] U.S. Cl.		D14/121
[58] Field of Search	D14/114, 120-122;	242/71.8, 197-199

[56] References Cited

U.S. PATENT DOCUMENTS

D. 256,912	9/1980	Lorberger	D14/121
D. 304,581	11/1989	Nakaizumi	D14/121
D. 304,582	11/1989	Nakaizumi	D14/121
D. 311,002	10/1990	Satoh et al.	D14/121

Primary Examiner—Theodore M. Shooman  
Attorney, Agent, or Firm—Young & Thompson

[57] CLAIM

The ornamental design for a digital audio tape cassette, as shown.

DESCRIPTION

FIG. 1 is a bottom, front and left side perspective view of a digital audio tape cassette showing my new design; FIG. 2 is a front elevational view thereof; FIG. 3 is a rear elevational view thereof; FIG. 4 is a top plan view thereof; FIG. 5 is a bottom plan view thereof; FIG. 6 is a left side elevational view thereof; and, FIG. 7 is a right side elevational view thereof.

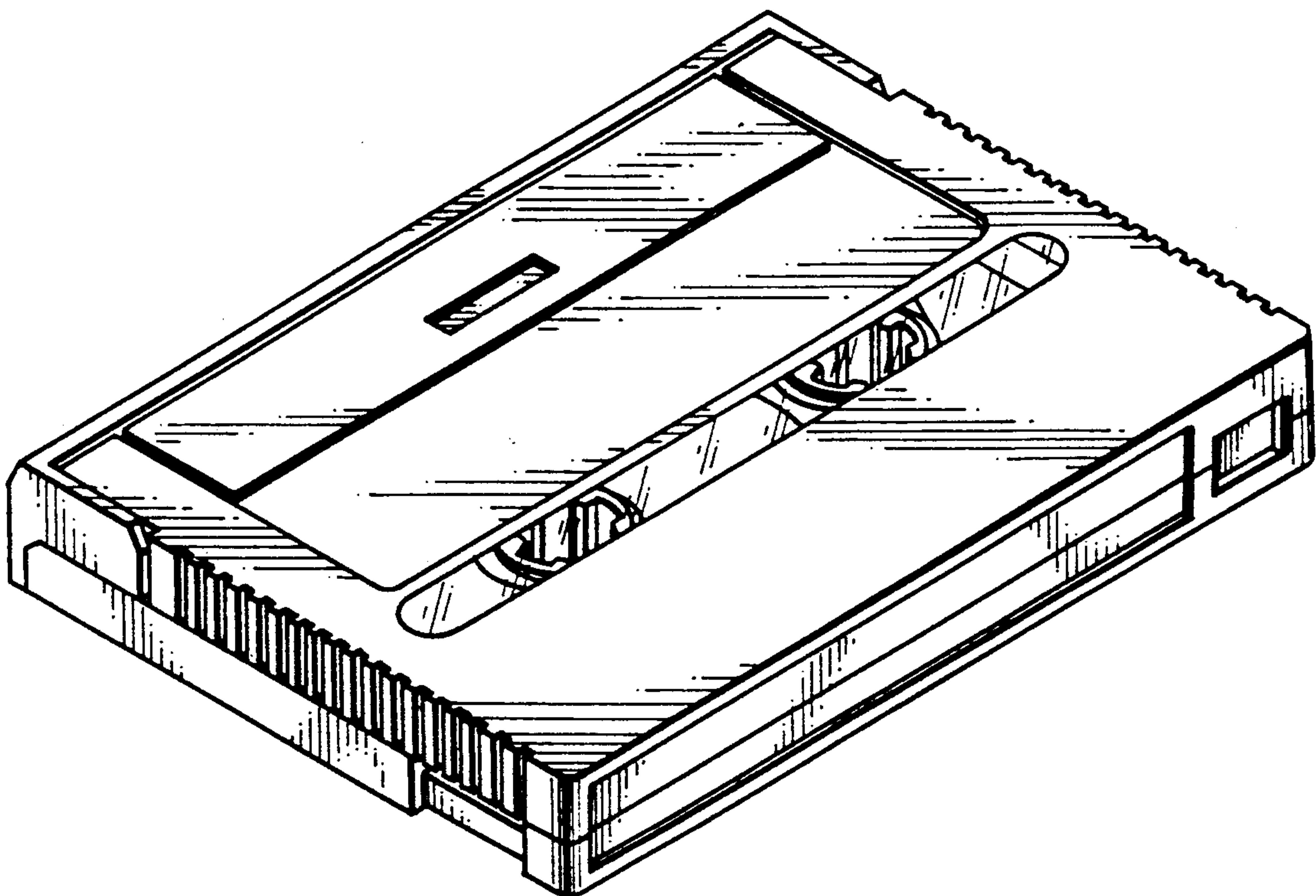


FIG. 1

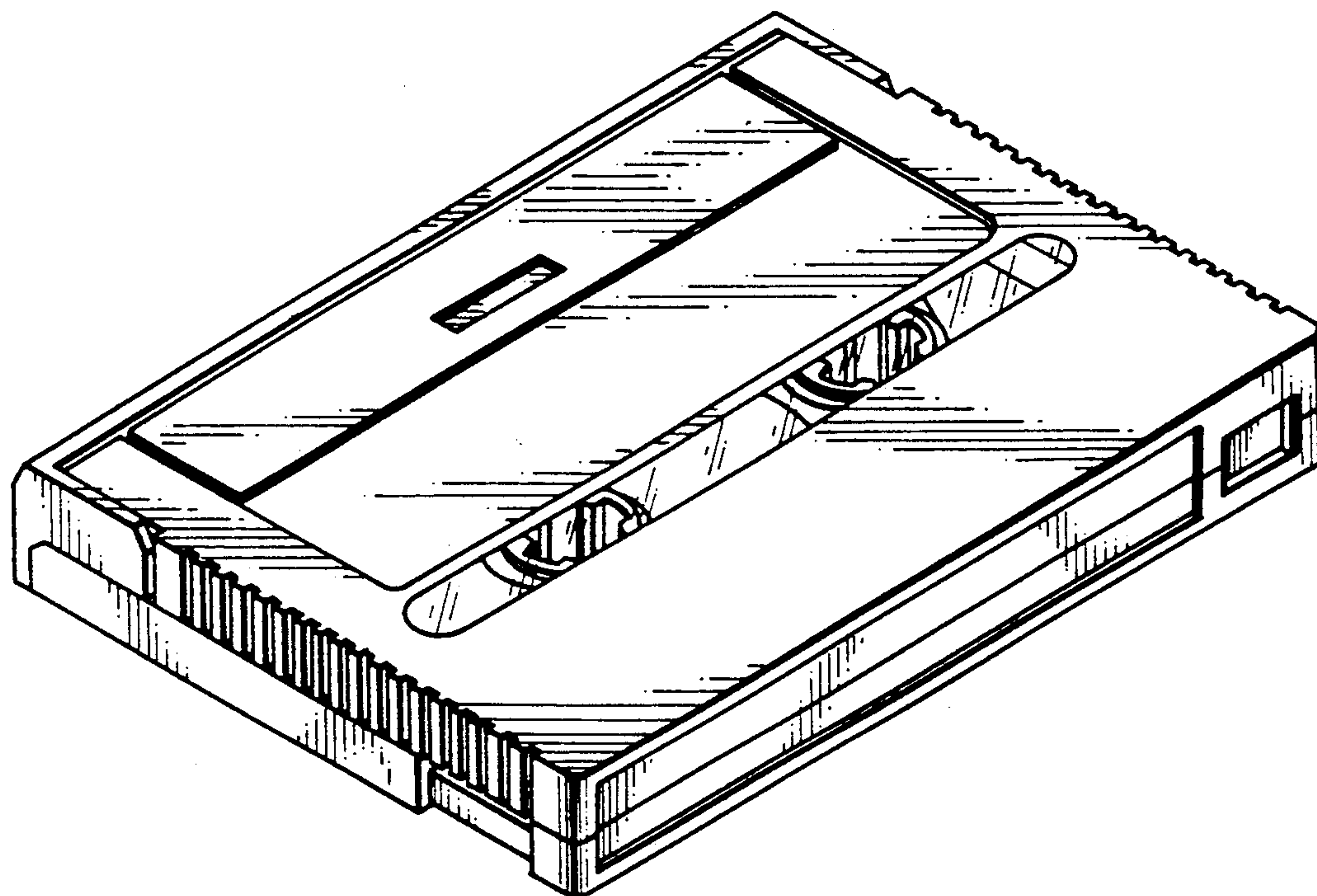


FIG. 2

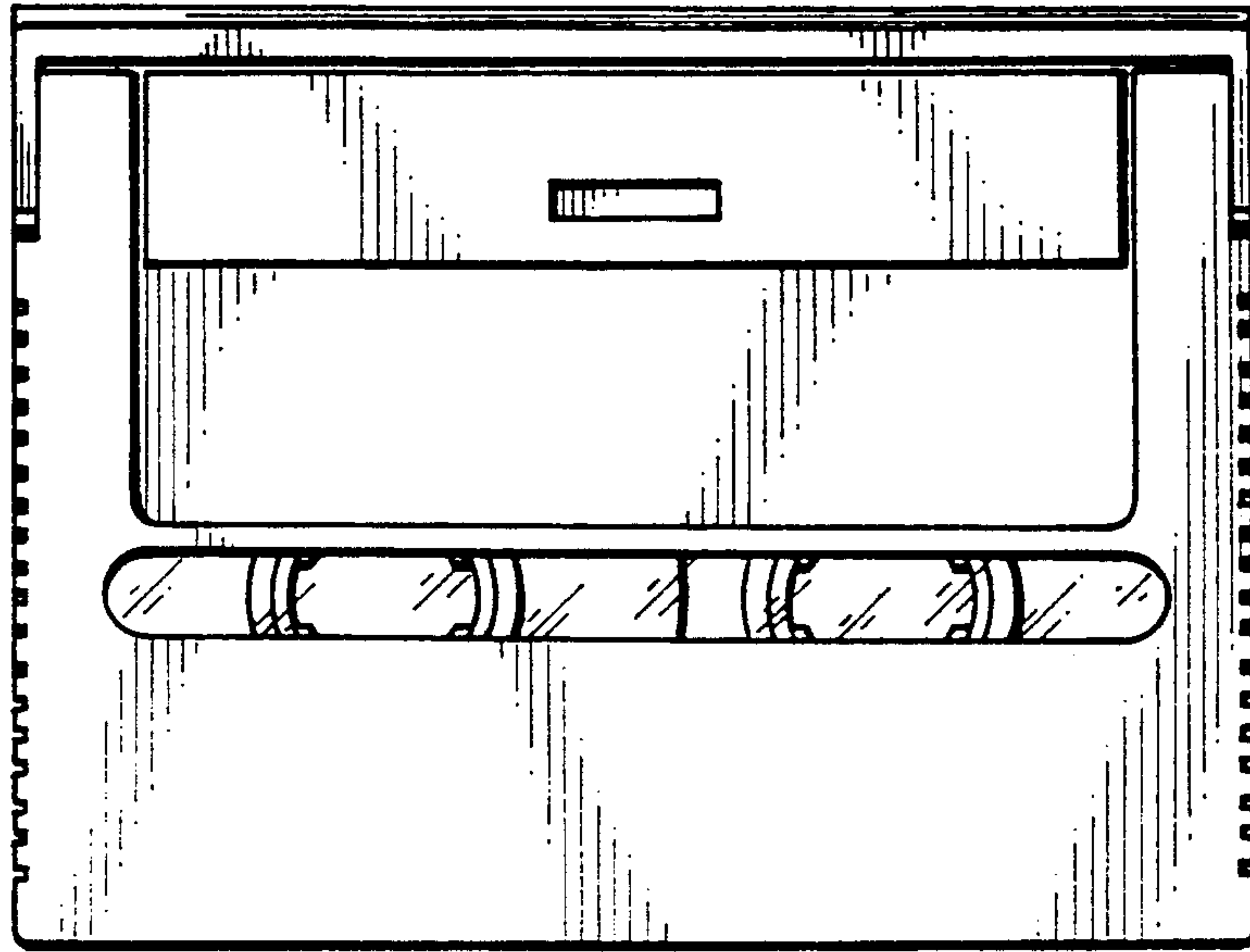


FIG. 3

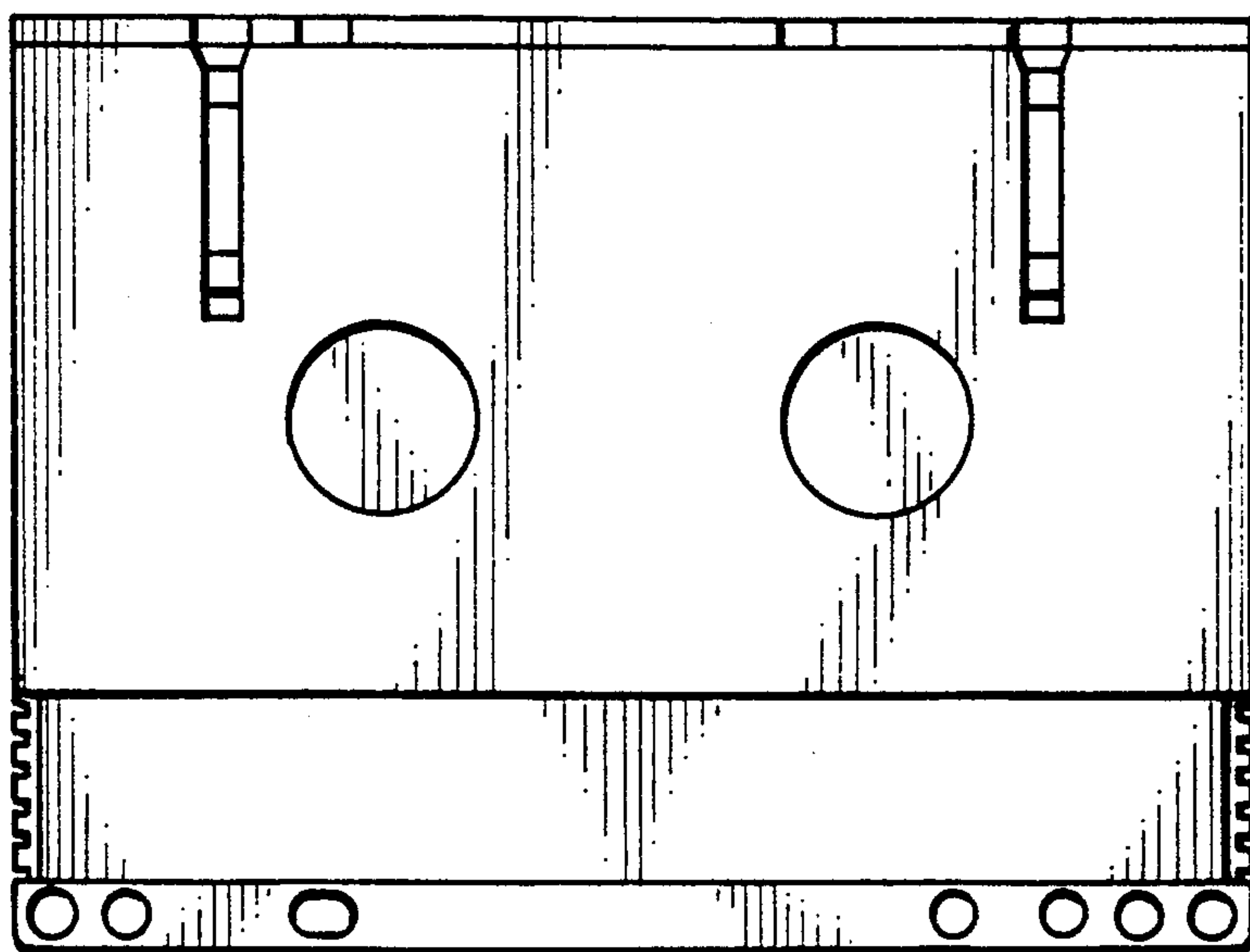


FIG. 4

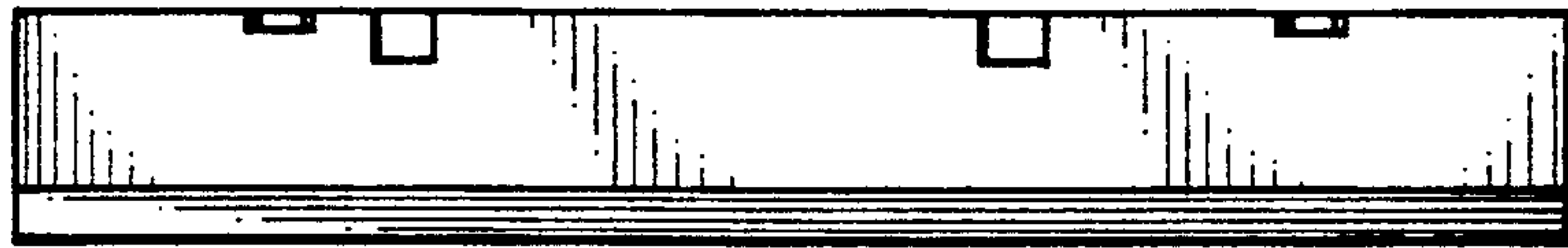


FIG. 5

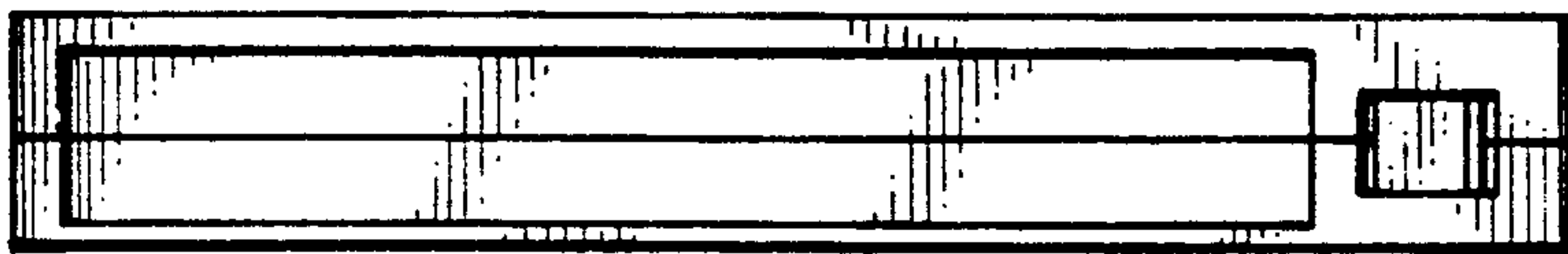


FIG. 6

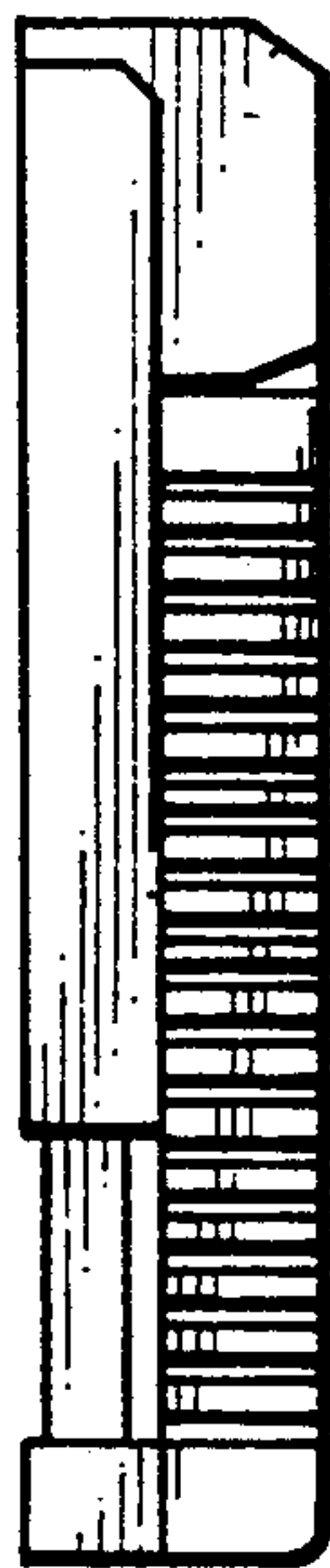


FIG. 7

