



US00D329851S

United States Patent [19]

[11] Patent Number: Des. 329,851

Yoo

[45] Date of Patent: ** Sep. 29, 1992

[54] PORTABLE CASSETTE TAPE RECORDER

[75] Inventor: Seon I. Yoo, Seoul, Rep. of Korea

[73] Assignee: Goldstar Co., Ltd., Rep. of Korea

[**] Term: 14 Years

[21] Appl. No.: 505,545

[22] Filed: Apr. 6, 1990

[30] Foreign Application Priority Data

Oct. 11, 1989 [KR] Rep. of Korea 13665/1989[U]

[52] U.S. Cl. D14/165; D14/168; D14/162

[58] Field of Search D14/154, 160-172, D14/188-198, 257, 259, 265, 299; 455/344, 347, 350, 351; 312/7.1

[56] References Cited

U.S. PATENT DOCUMENTS

- D. 309,899 8/1990 Kashiwagi D14/168 X
- D. 316,093 5/1991 Okada et al. D14/168 X
- D. 320,791 10/1991 Kashiwagi D14/168 X

OTHER PUBLICATIONS

Video Review, Dec. 1986, p. 69, bottom left—Mag-

navox Model D8007—Stereo AM/FM Radio Cassette Recorder.

Primary Examiner—Theodore M. Shooman
Attorney, Agent, or Firm—Anthony J. Casella; Gerald E. Hespos

[57] CLAIM

The ornamental design for a portable cassette tape recorder, as shown and described.

DESCRIPTION

FIG. 1 is a top, front and right side perspective view of a portable cassette tape recorder showing my new design;

FIG. 2 is a top, rear and left side perspective view thereof;

FIG. 3 is a front elevational view thereof;

FIG. 4 is a rear elevational view thereof;

FIG. 5 is a top plan view thereof;

FIG. 6 is a bottom plan view thereof;

FIG. 7 is a rightside elevational view thereof; and,

FIG. 8 is a leftside elevational view thereof.

The broken line showing of the tape cassette in FIG. 2 is for illustrative purposes only and forms no part of the claimed design.

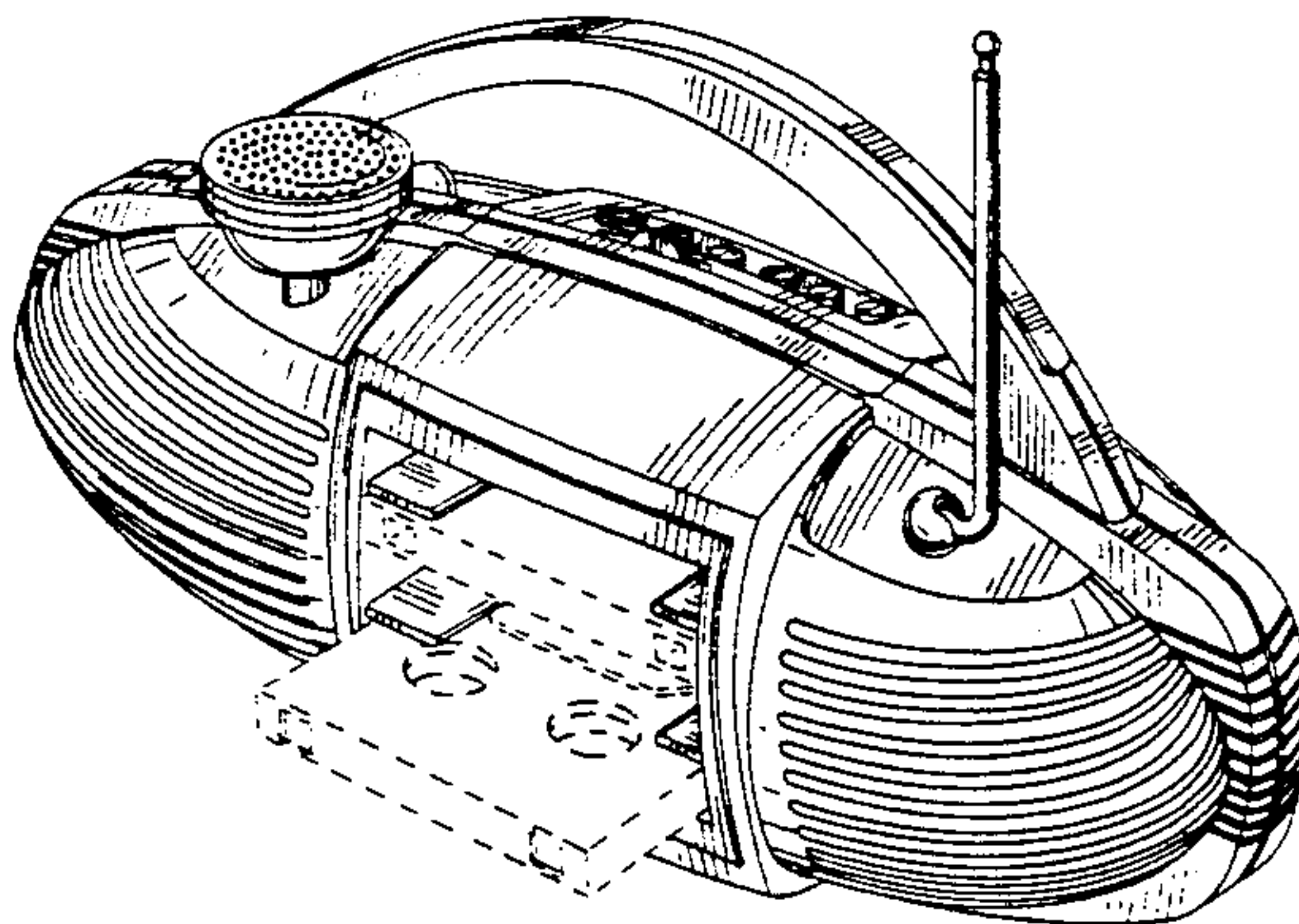
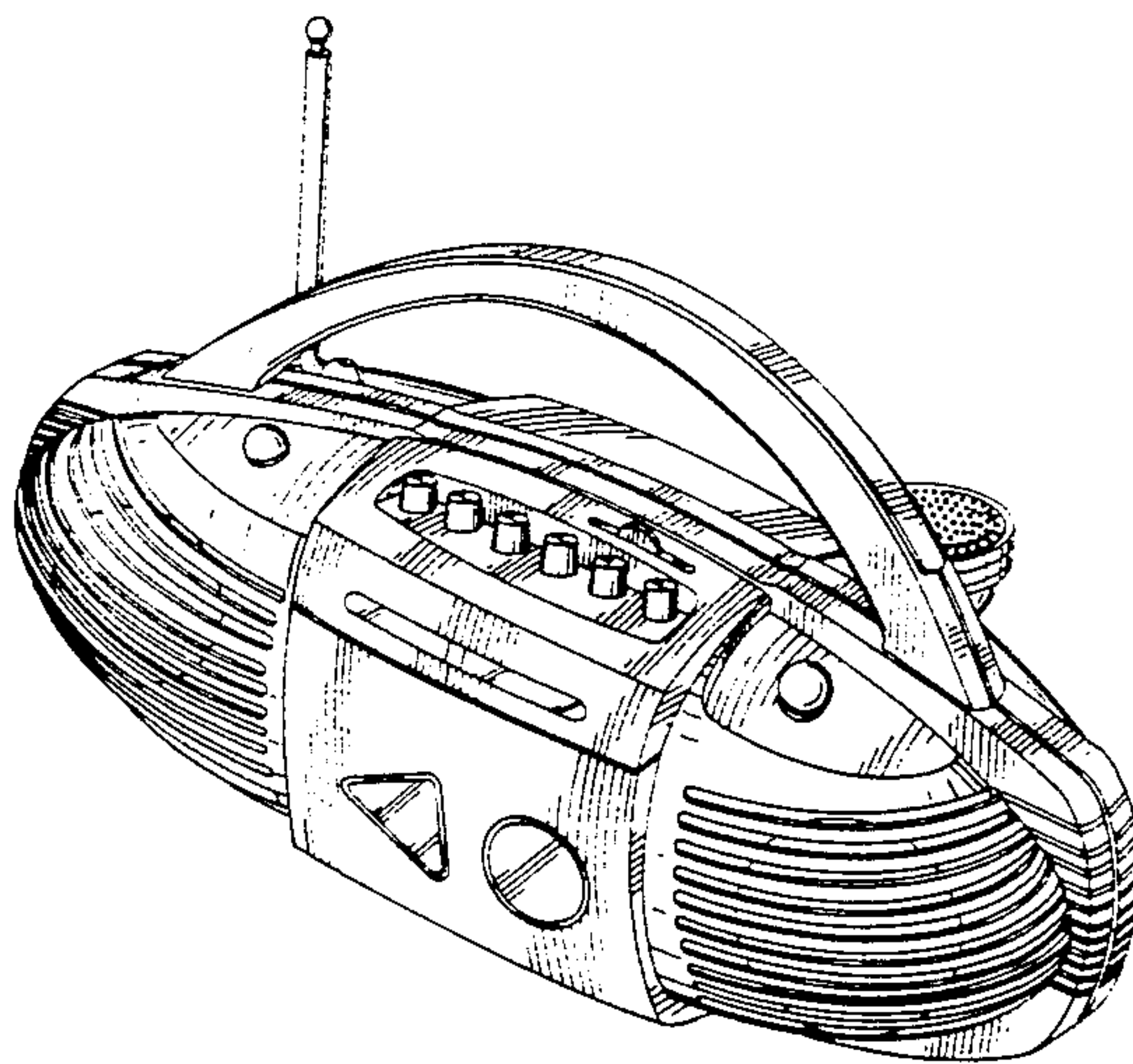


FIG. 1

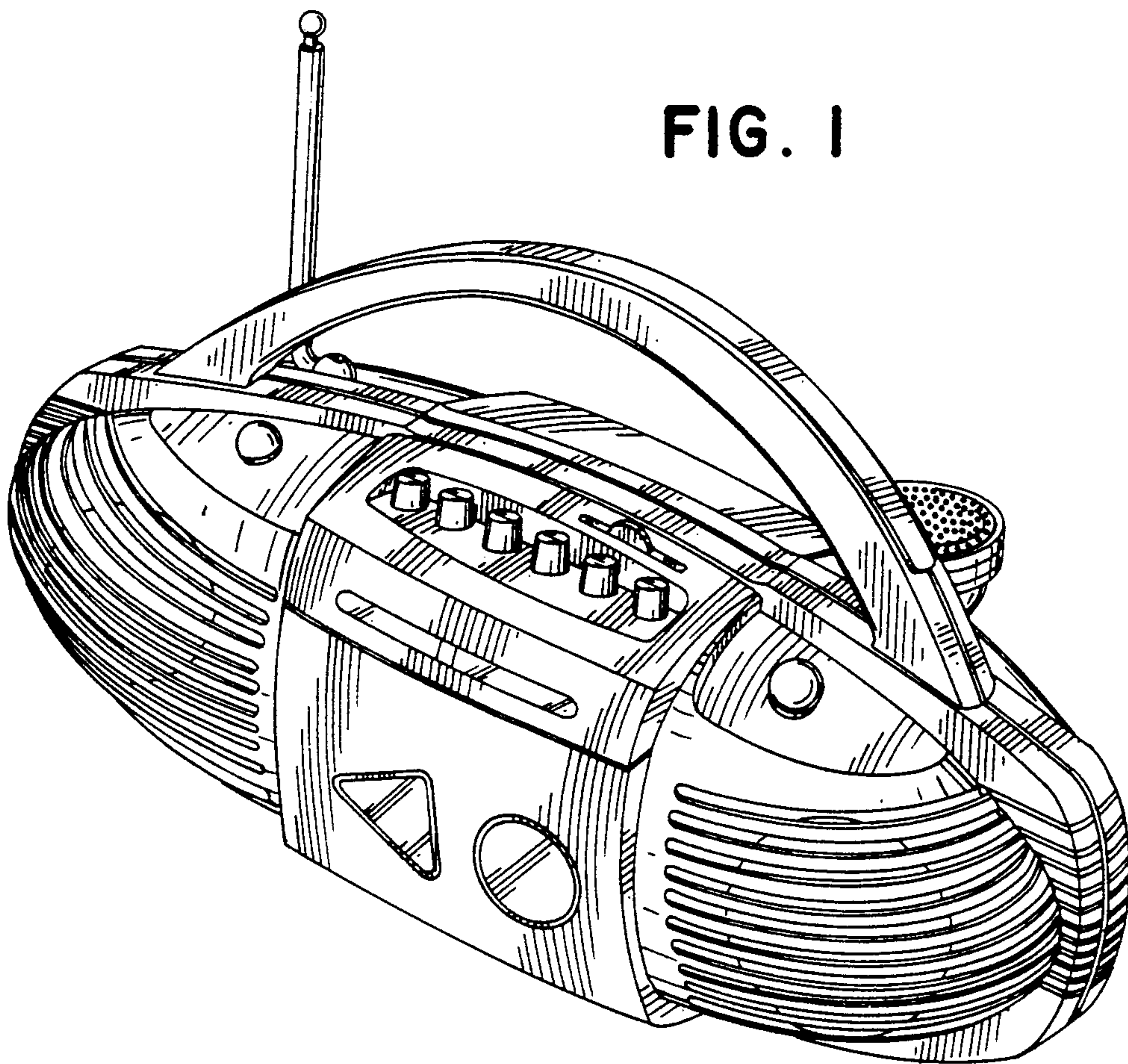


FIG. 2

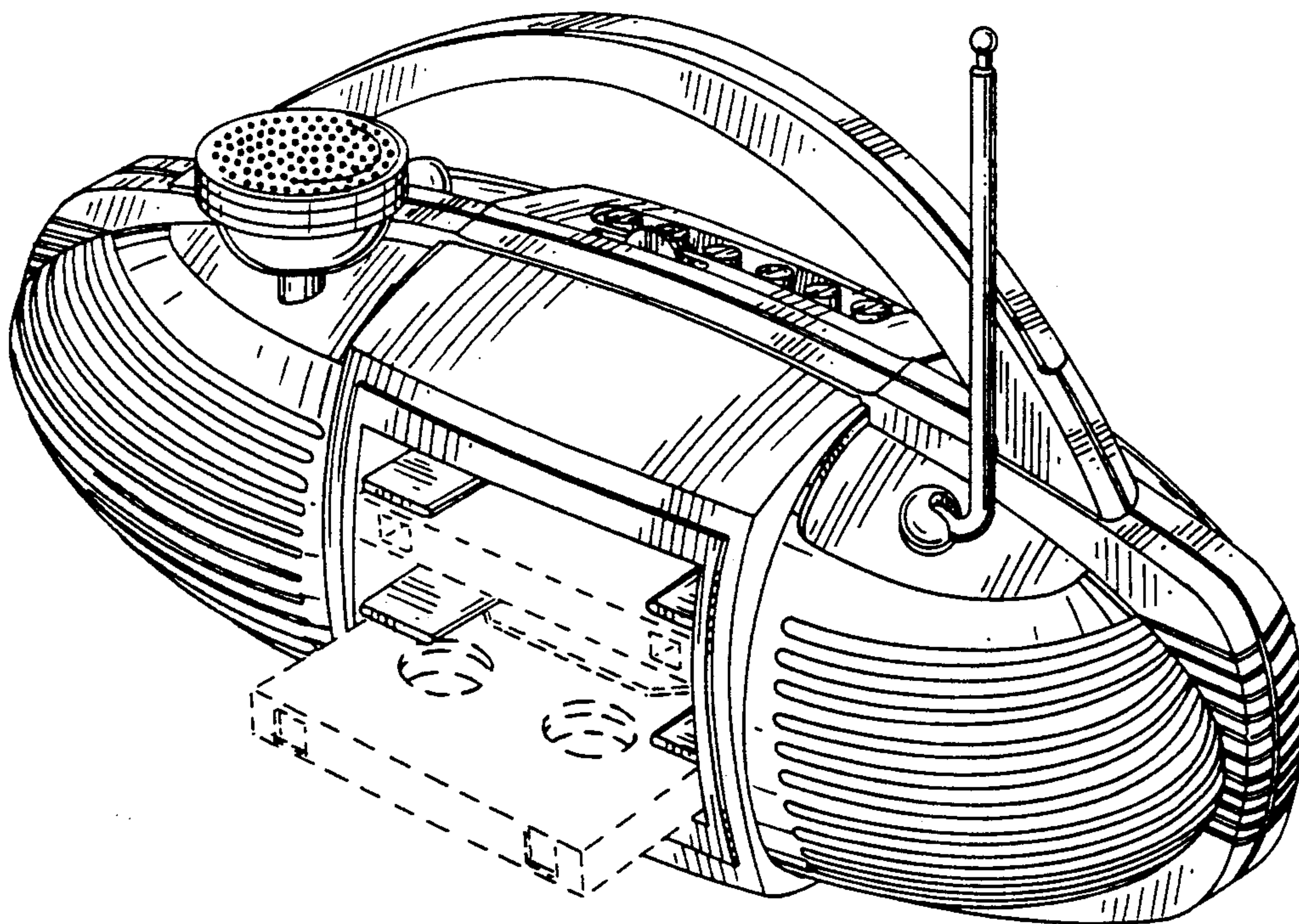


FIG. 3

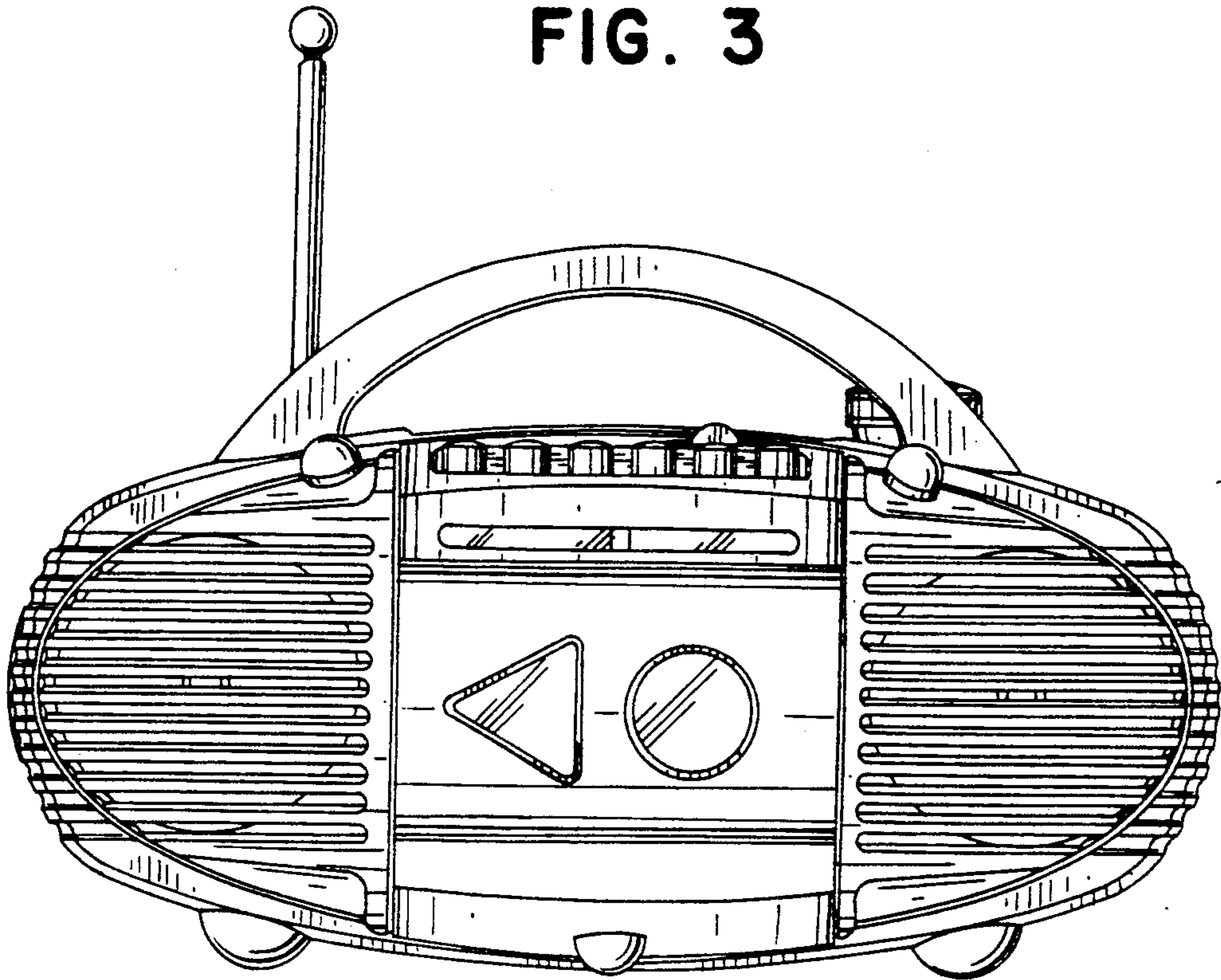


FIG. 4

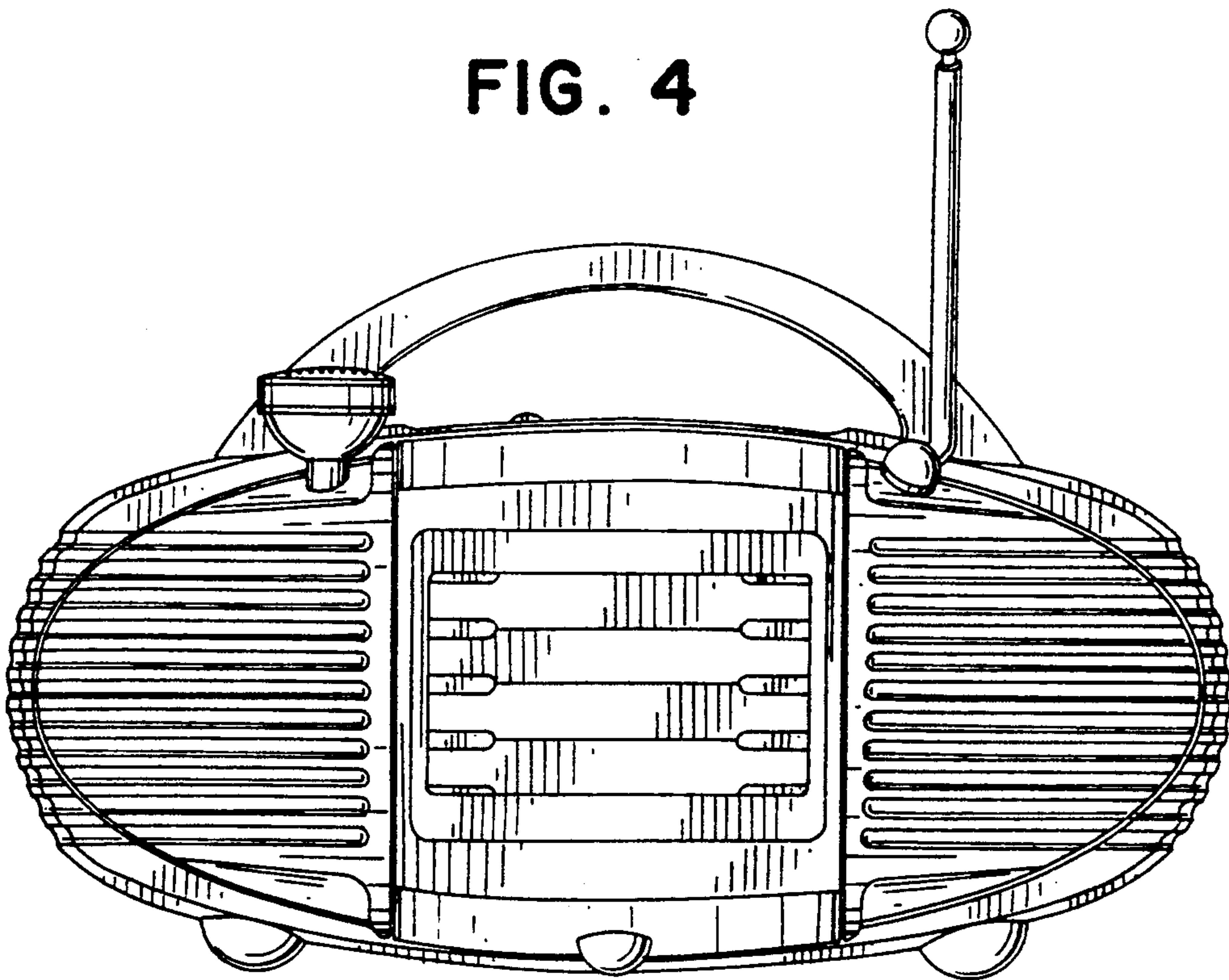


FIG. 5

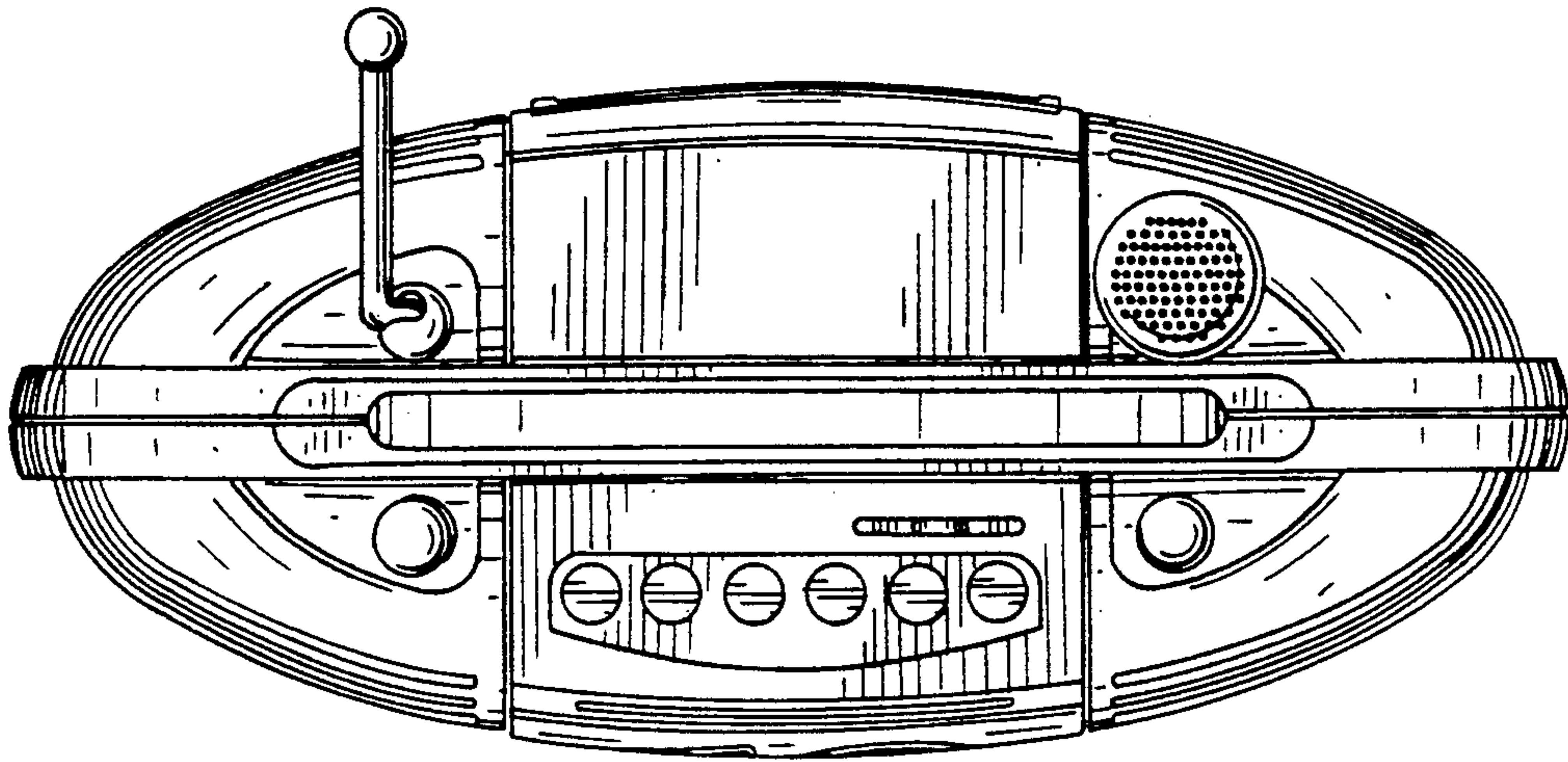


FIG. 6

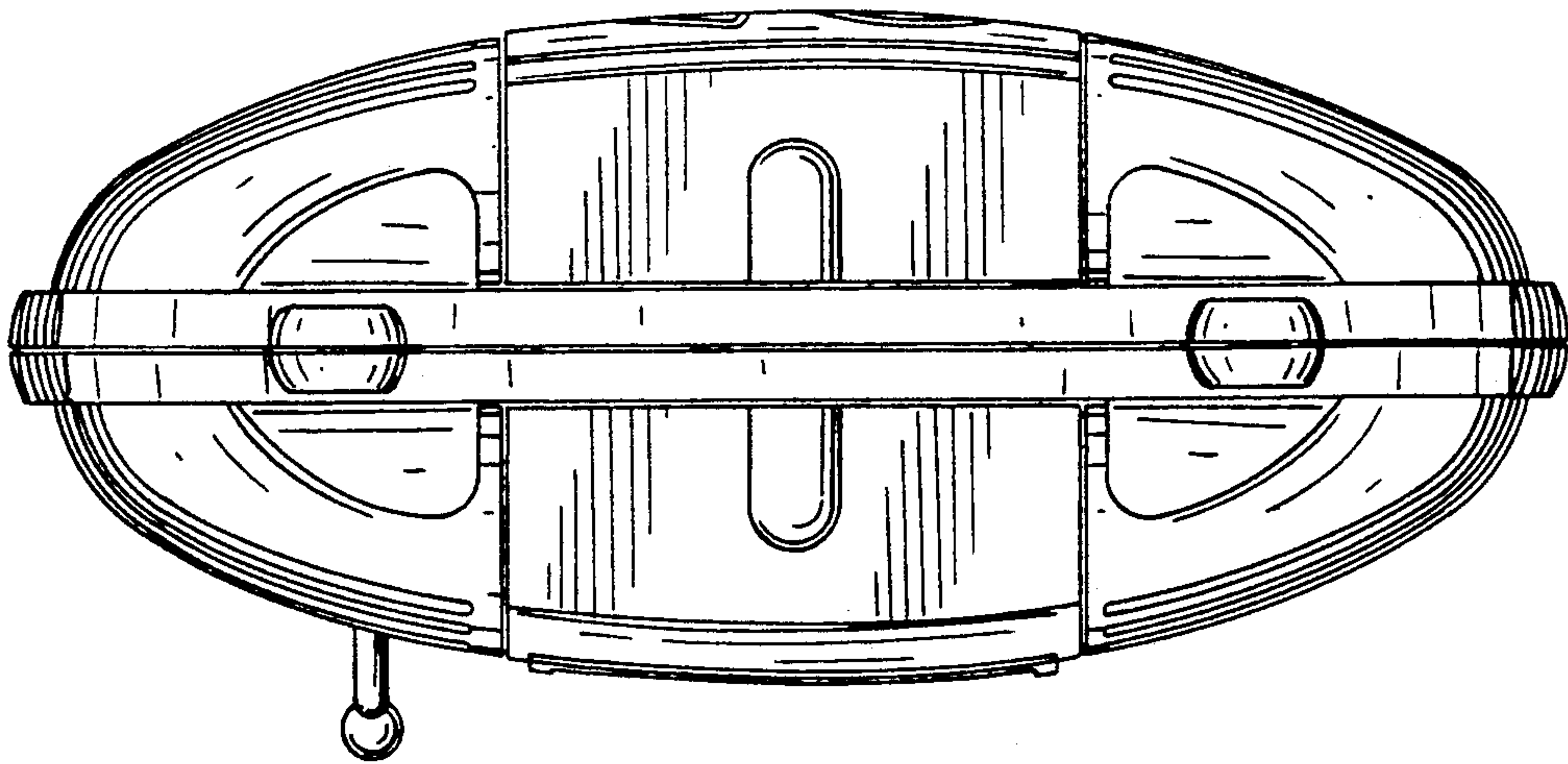


FIG. 7

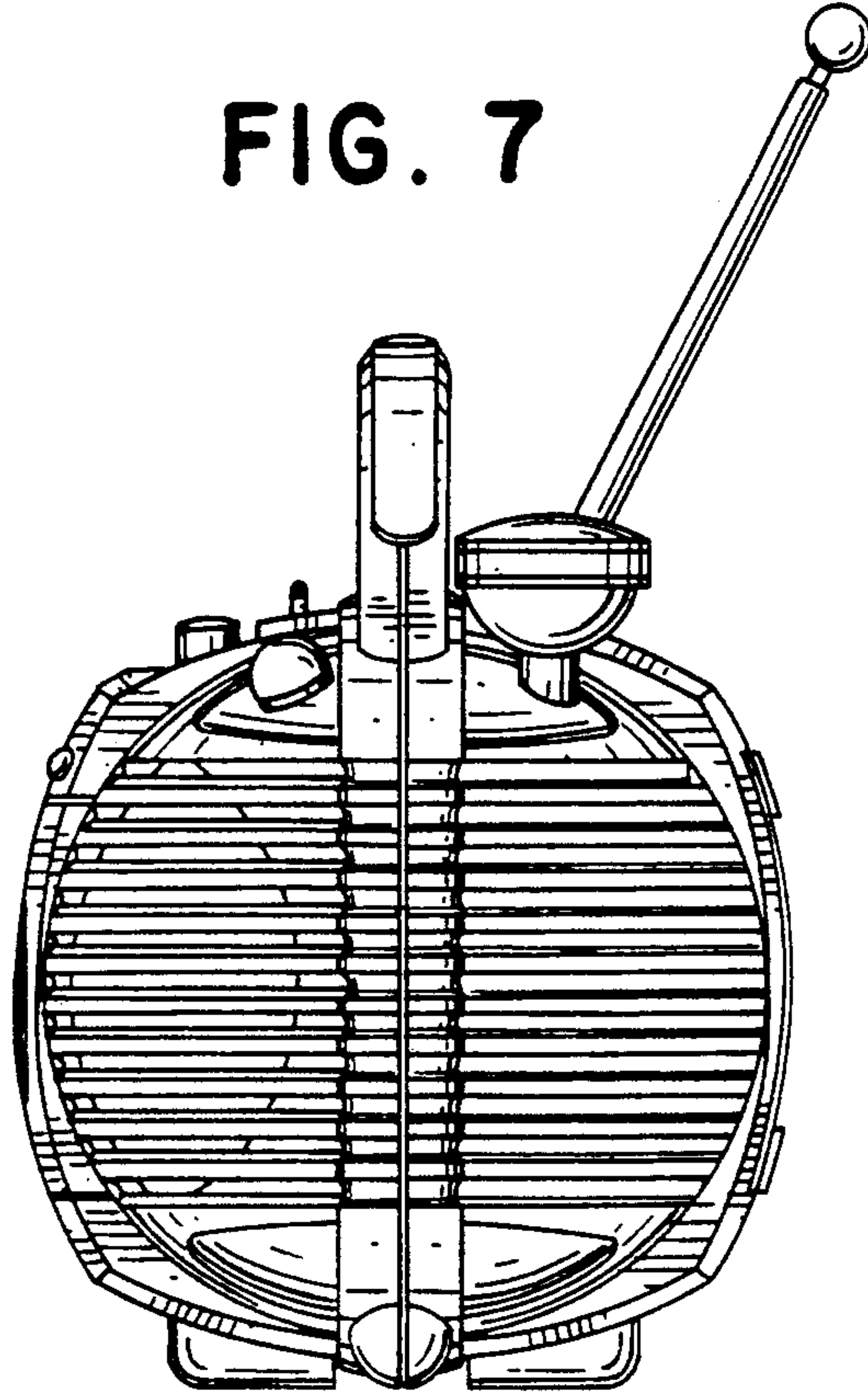


FIG. 8

