



US00D329847S

# United States Patent [19]

Hetfield et al.

[11] Patent Number: Des. 329,847

[45] Date of Patent: \*\* Sep. 29, 1992

[54] VIDEO DISPLAY TERMINAL

[75] Inventors: Margaret L. Hetfield, Belmont; Marcus Koepke, Concord, both of Mass.

[73] Assignee: Digital Equipment Corporation, Maynard, Mass.

[\*\*] Term: 14 Years

[21] Appl. No.: 503,167

[22] Filed: Apr. 2, 1990

[52] U.S. Cl. .... D14/113

[58] Field of Search ..... D14/100, 101, 105, 106, D14/113, 124, 125; D18/1, 7, 11, 12; 340/700, 706, 711, 712; 358/248, 249, 254, 255; 364/706-709.09; 248/917-924, 676, 678, 469, 664

[56] References Cited

U.S. PATENT DOCUMENTS

D. 300,929	5/1989	Satherley	.....	D14/113
D. 312,453	11/1990	Oh	.....	D14/113
D. 316,547	4/1991	Faranda et al.	.....	D14/113
D. 318,048	7/1991	Kim	.....	D14/113
D. 319,821	9/1991	Kawaguchi	.....	D14/113

Primary Examiner—Wallace R. Burke  
Assistant Examiner—Freda S. Nunn  
Attorney, Agent, or Firm—Kenyon & Kenyon

[57] CLAIM

The ornamental design for a video display terminal, as shown and described.

DESCRIPTION

FIG. 1 is a front perspective view of a video display terminal showing our new design; FIG. 2 is a front elevational view thereof; FIG. 3 is a right side elevational view thereof; FIG. 4 is a left side elevational view thereof; FIG. 5 is a top plan view thereof; FIG. 6 is a rear elevational view thereof; FIG. 7 is a bottom plan view thereof; FIG. 8 is a front perspective view of a second embodiment of our design; FIG. 9 is a front elevational view thereof; FIG. 10 is a right side elevational view thereof; FIG. 11 is a left side elevational view thereof; FIG. 12 is a top plan view thereof; and, FIG. 13 is a bottom plan view thereof. The undisclosed rear elevational view of the second embodiment is identical in appearance to that of the first embodiment.

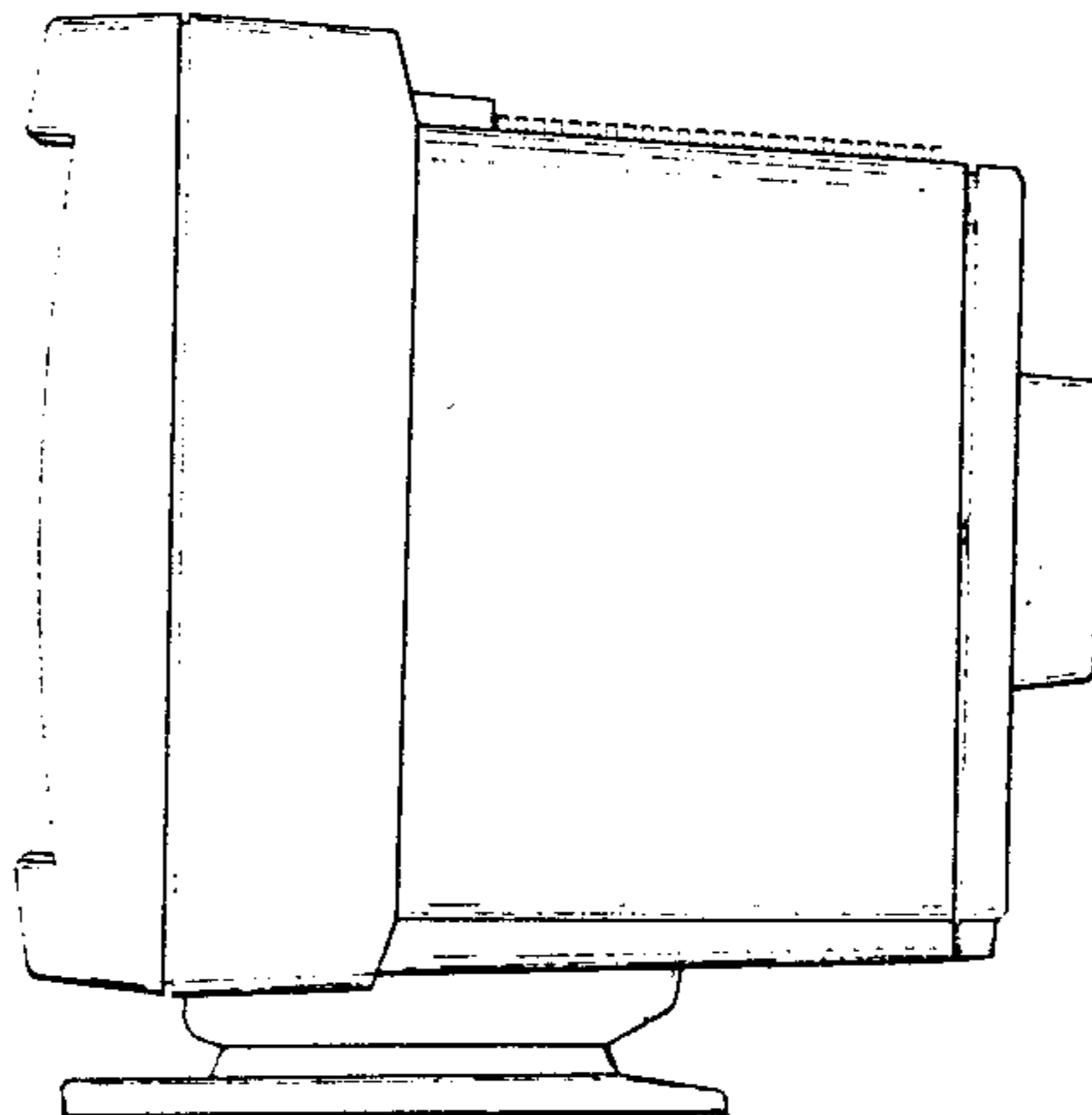
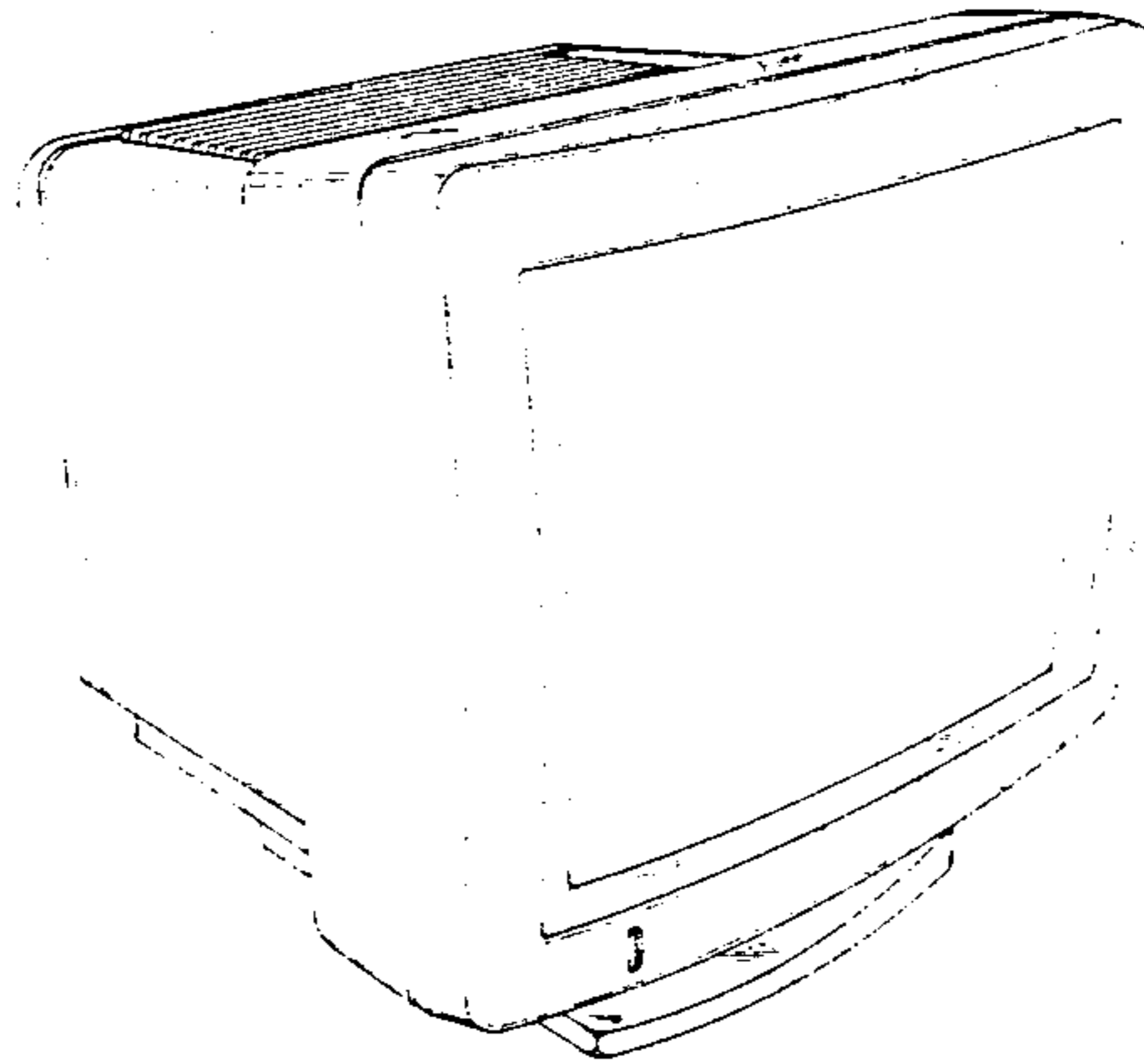


FIG. 1

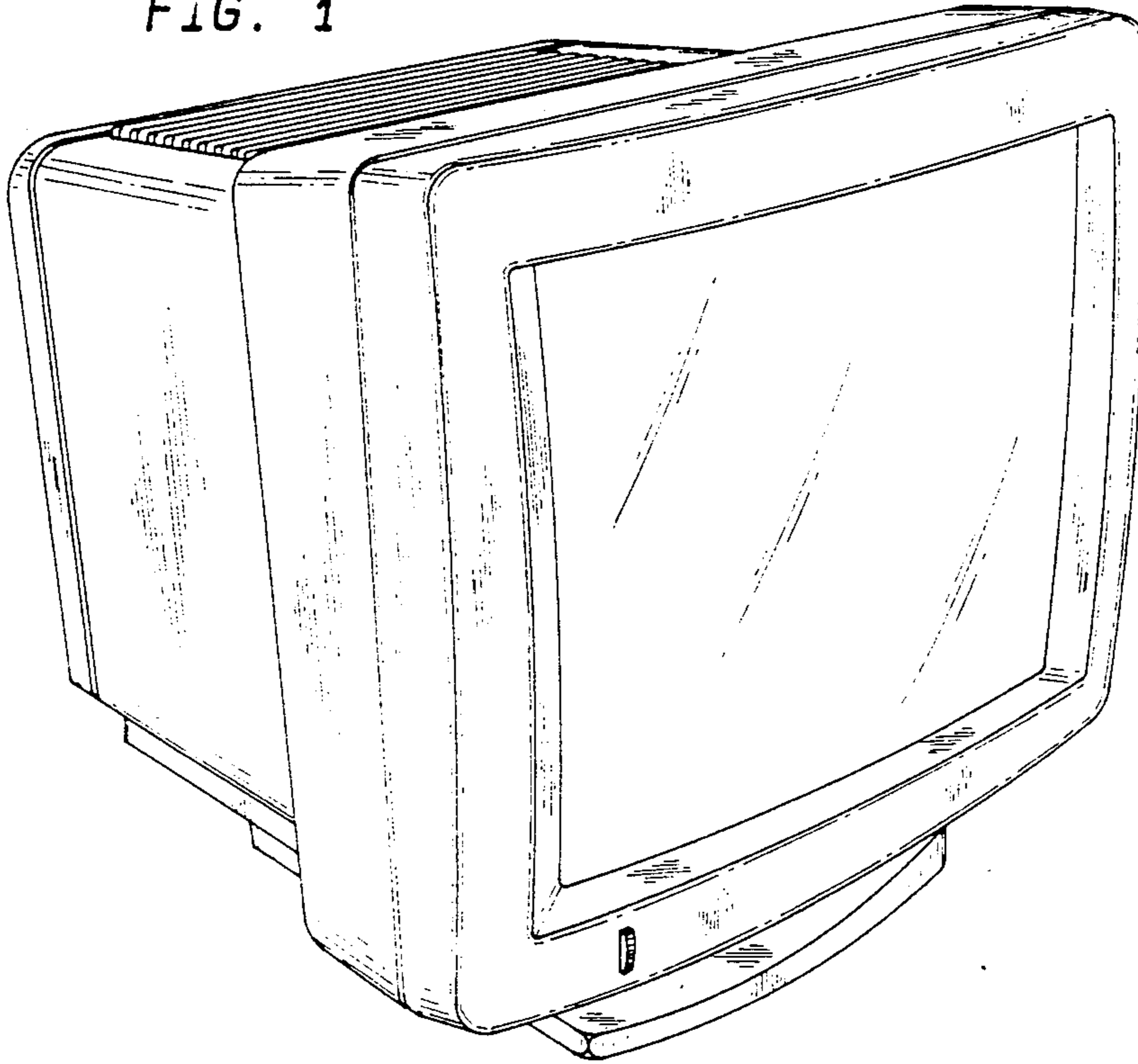


FIG. 2

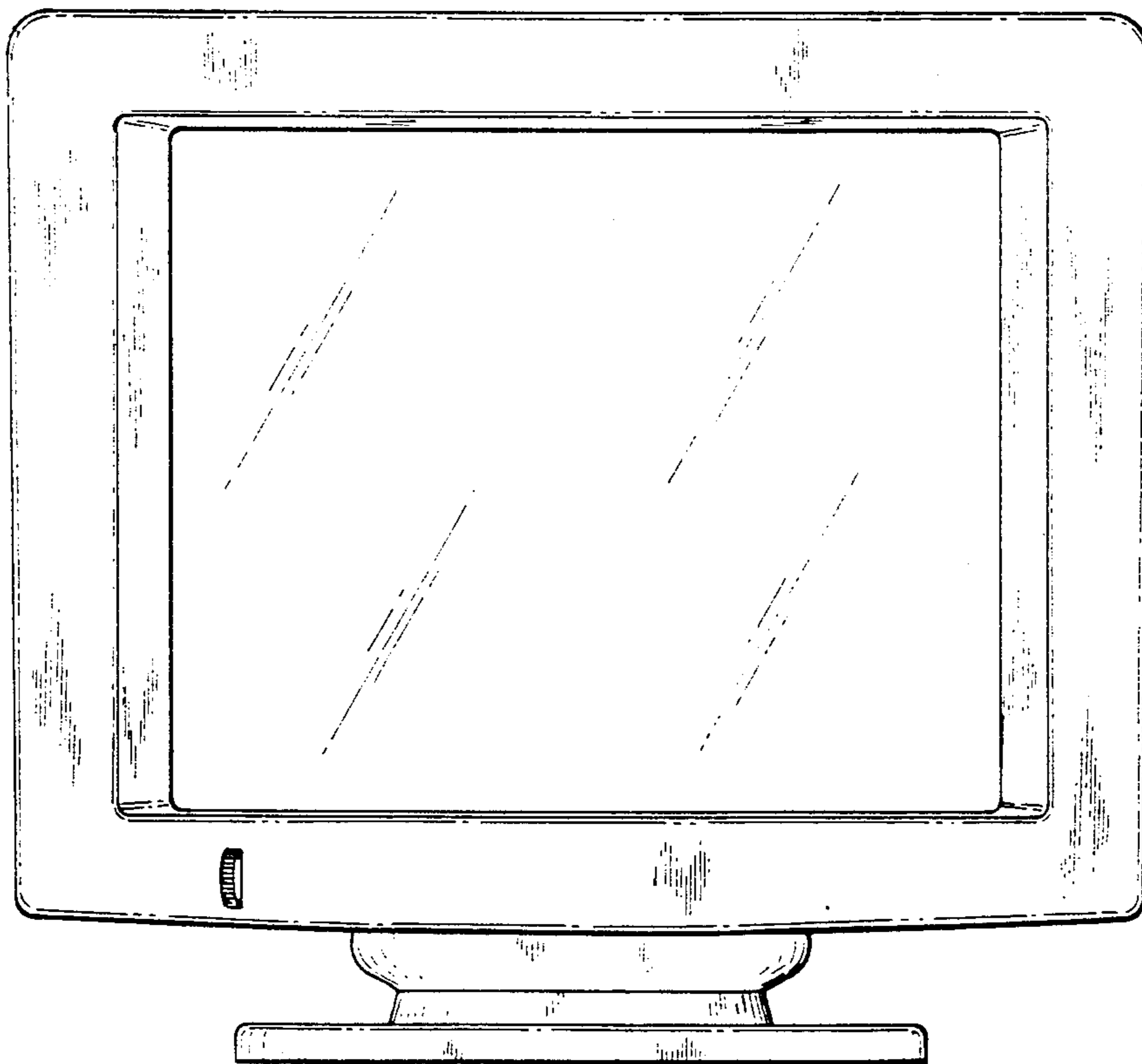


FIG. 3

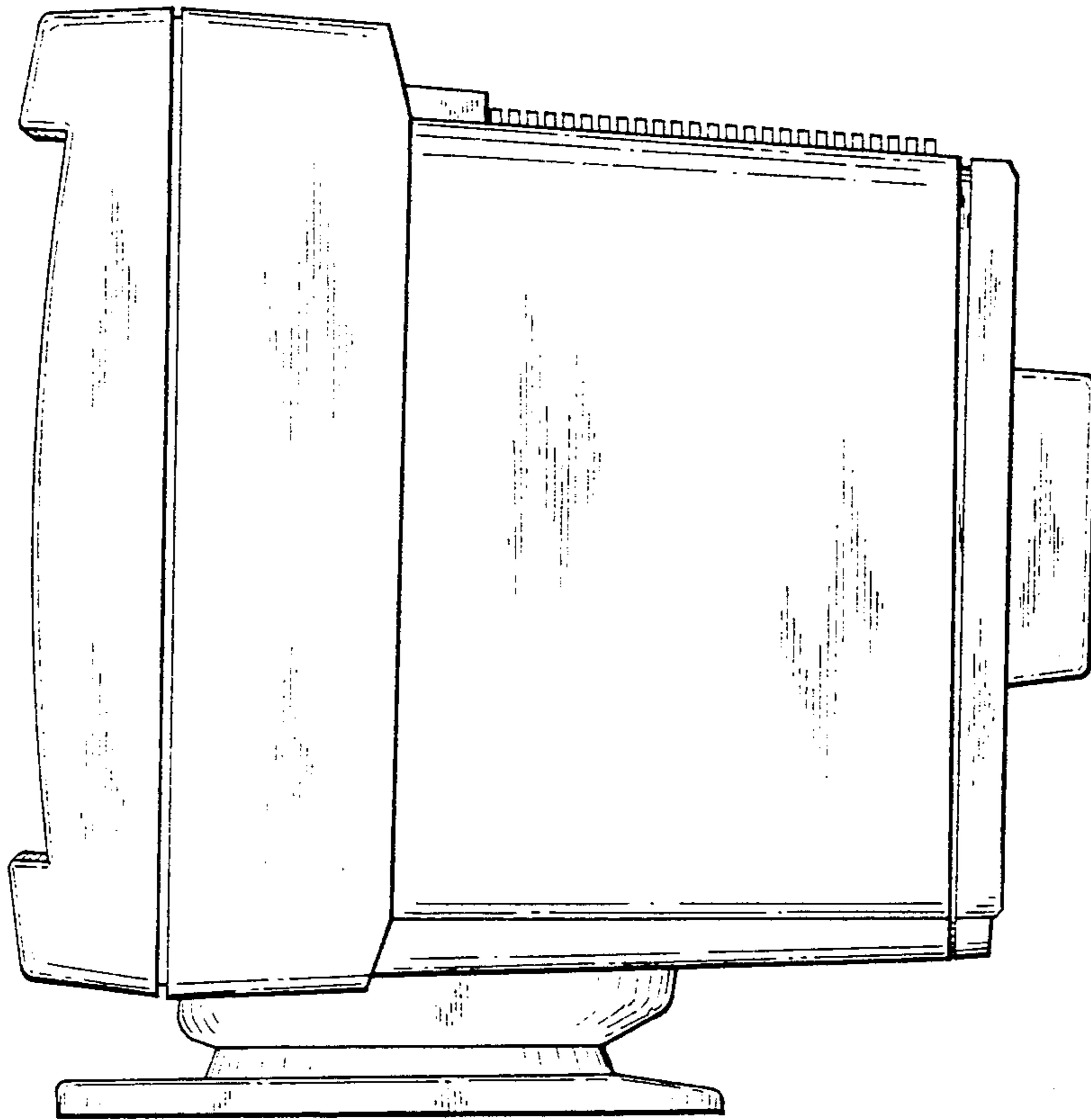


FIG. 4

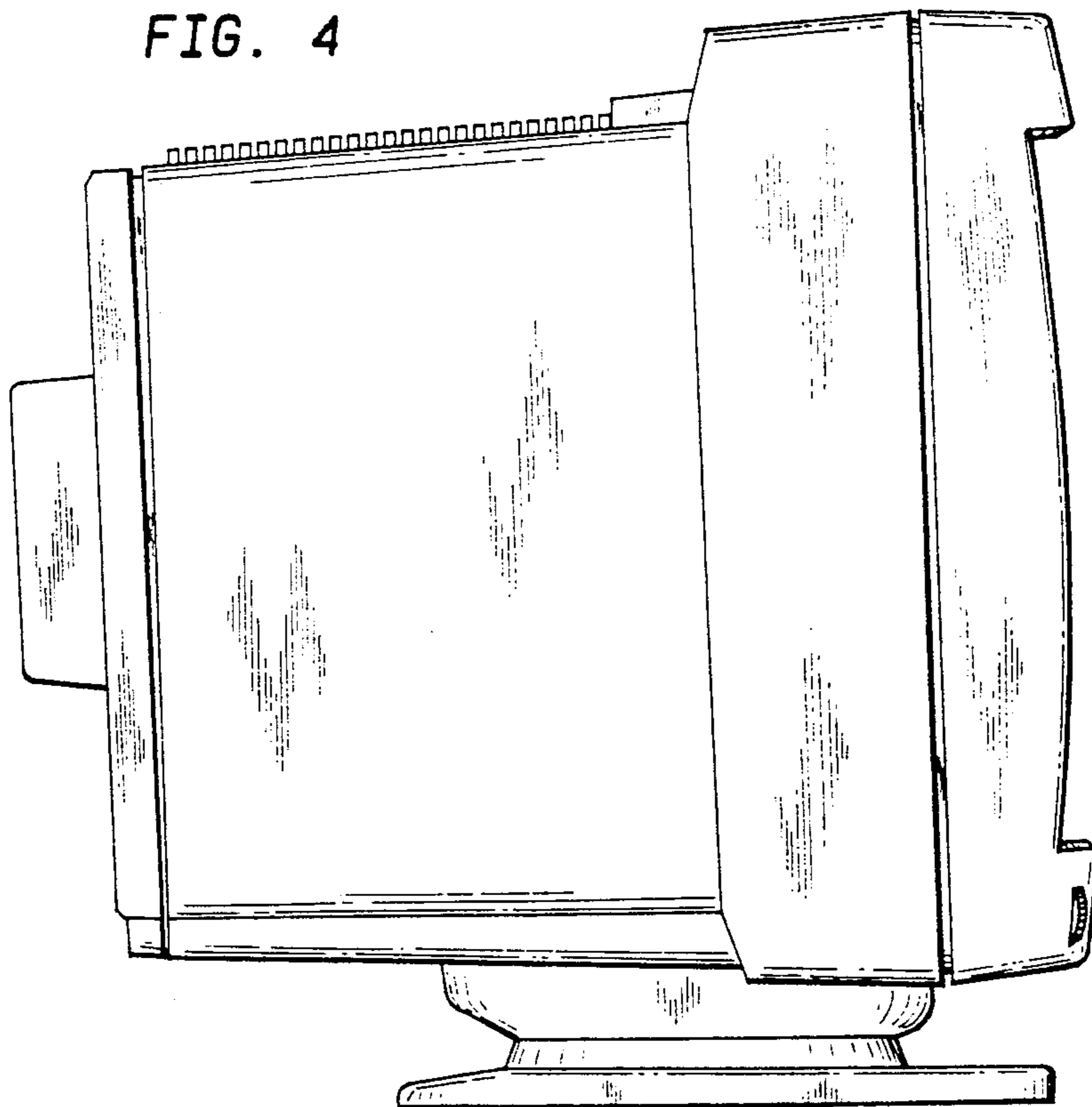


FIG. 5

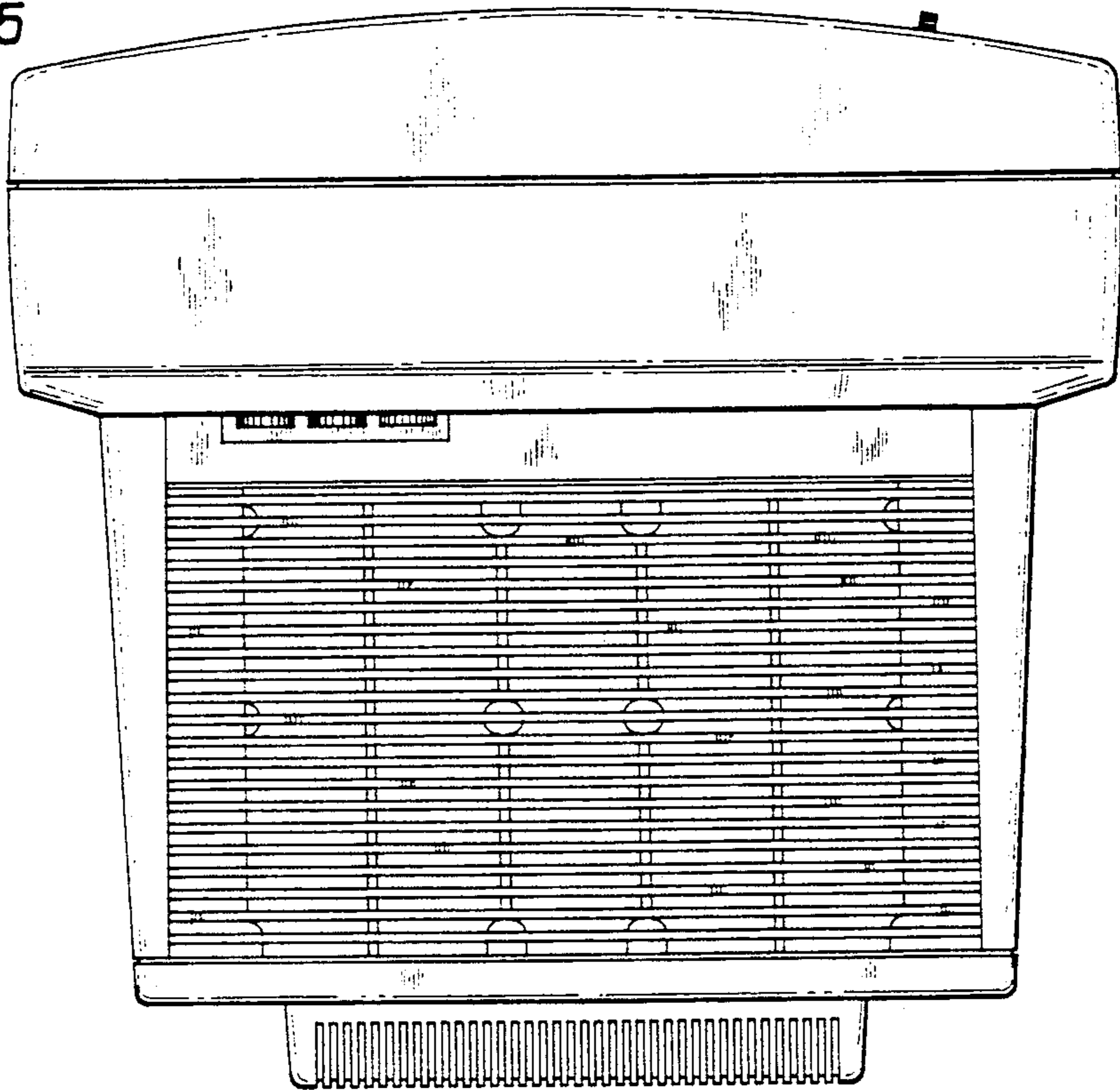


FIG. 6

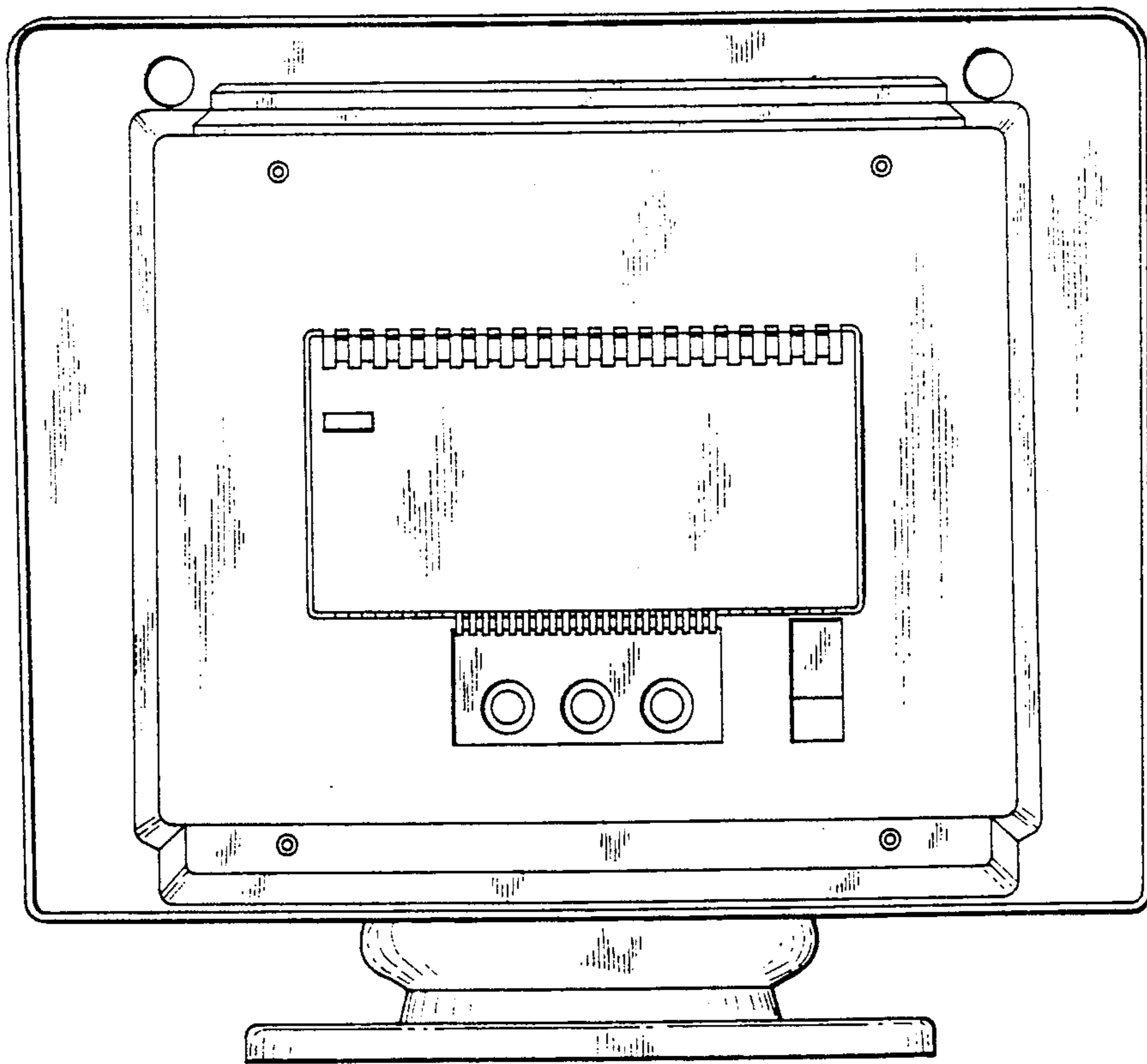




FIG. 7

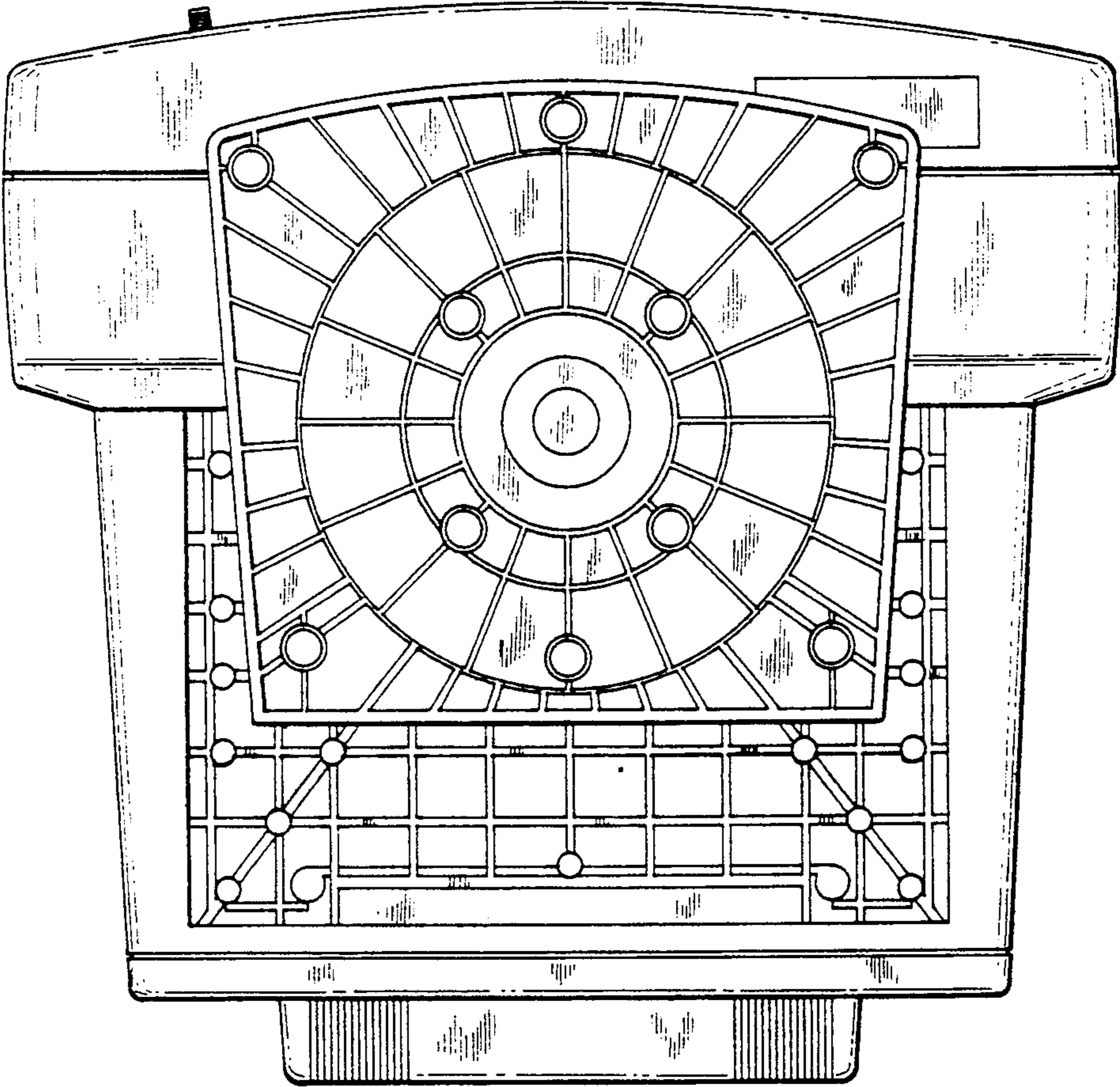


FIG. 8

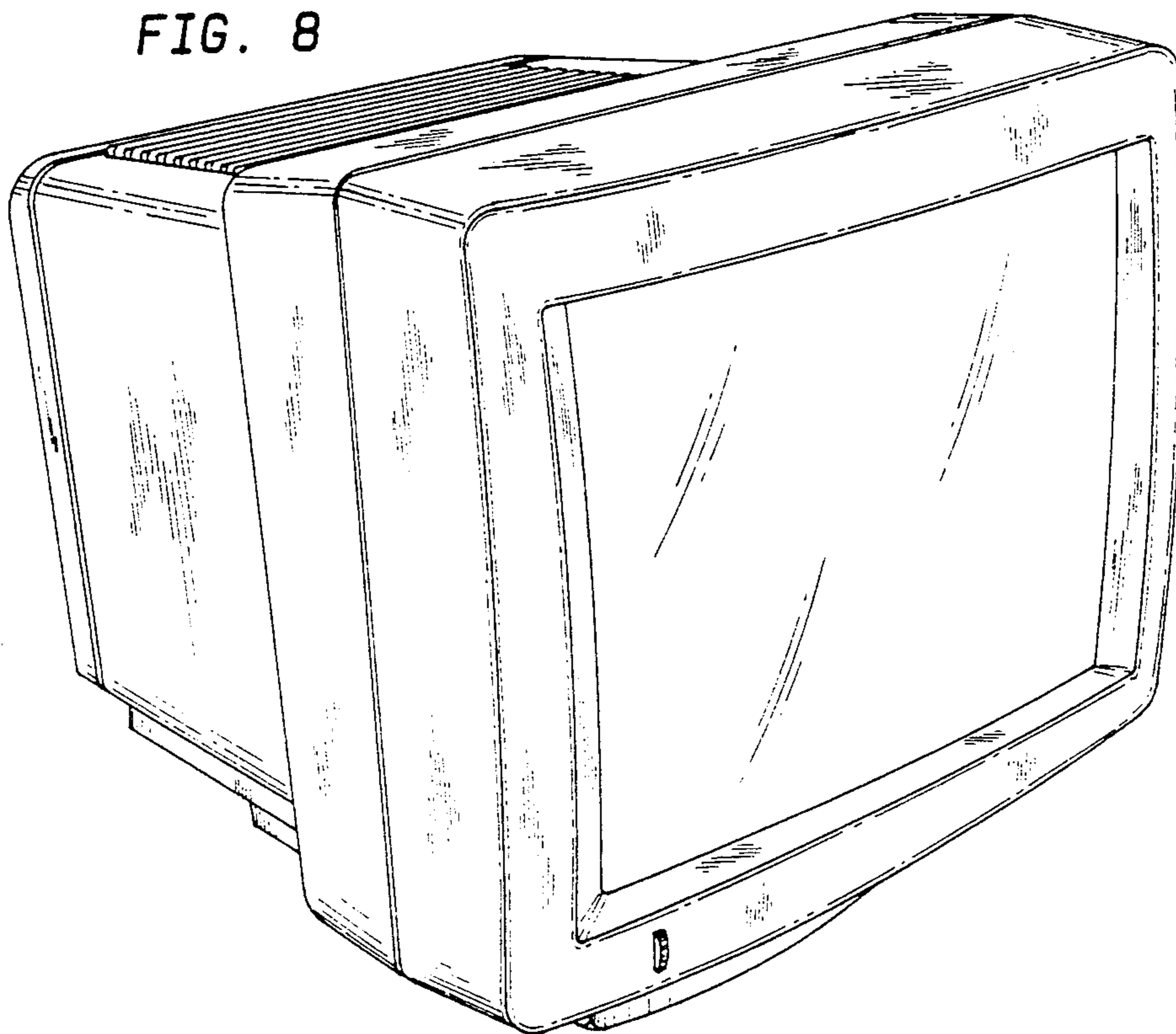


FIG. 9

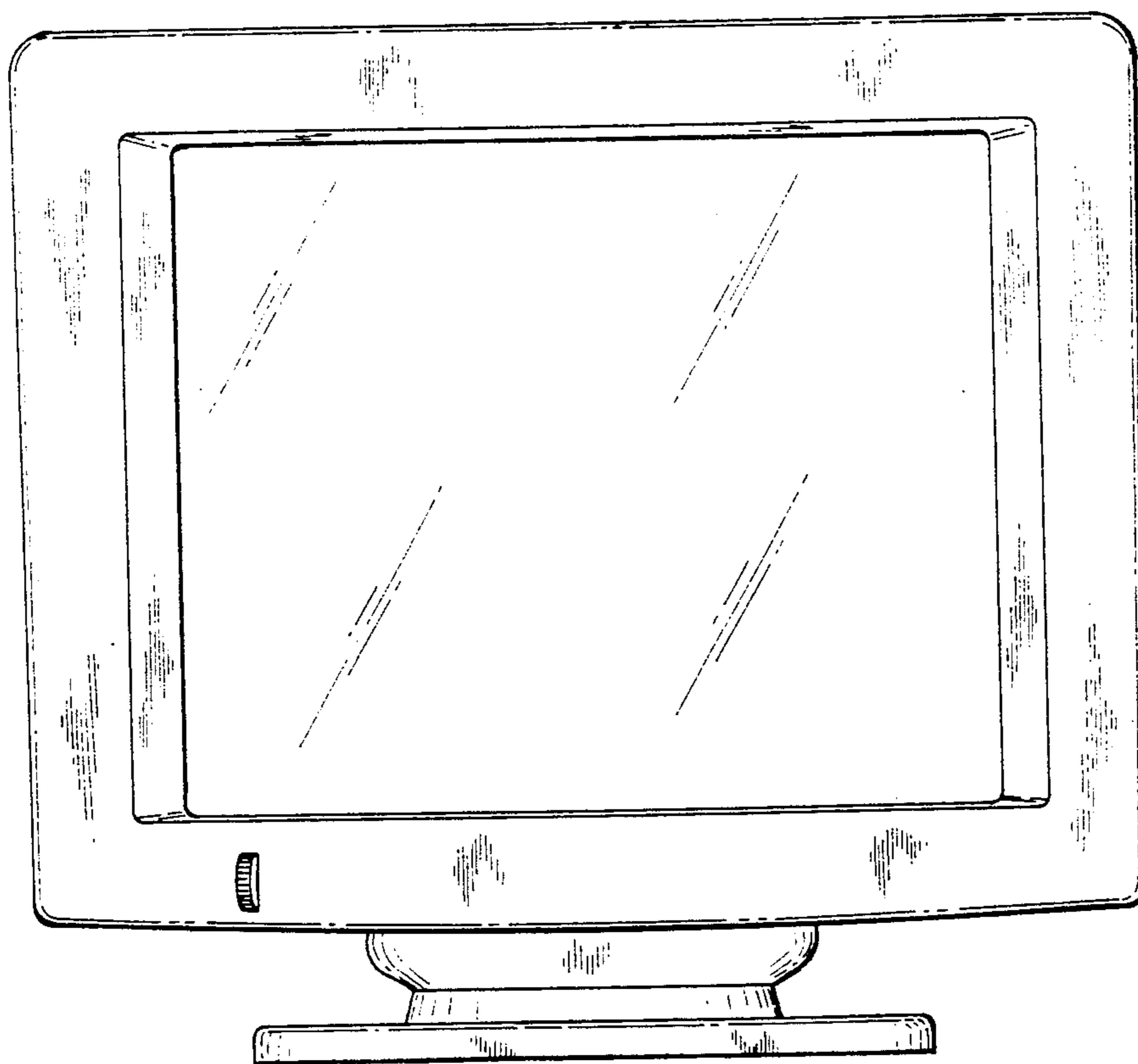


FIG. 10

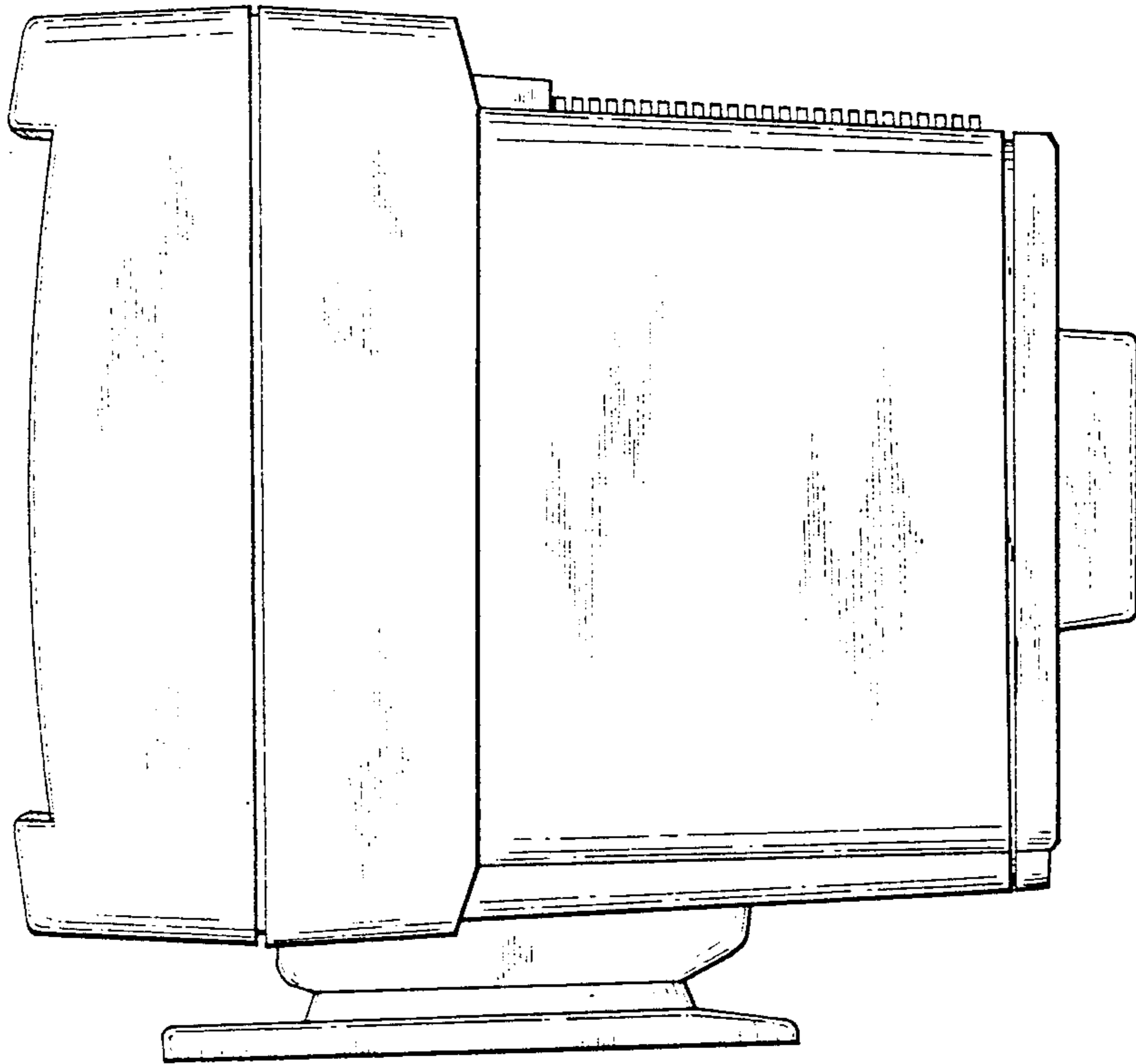


FIG. 11

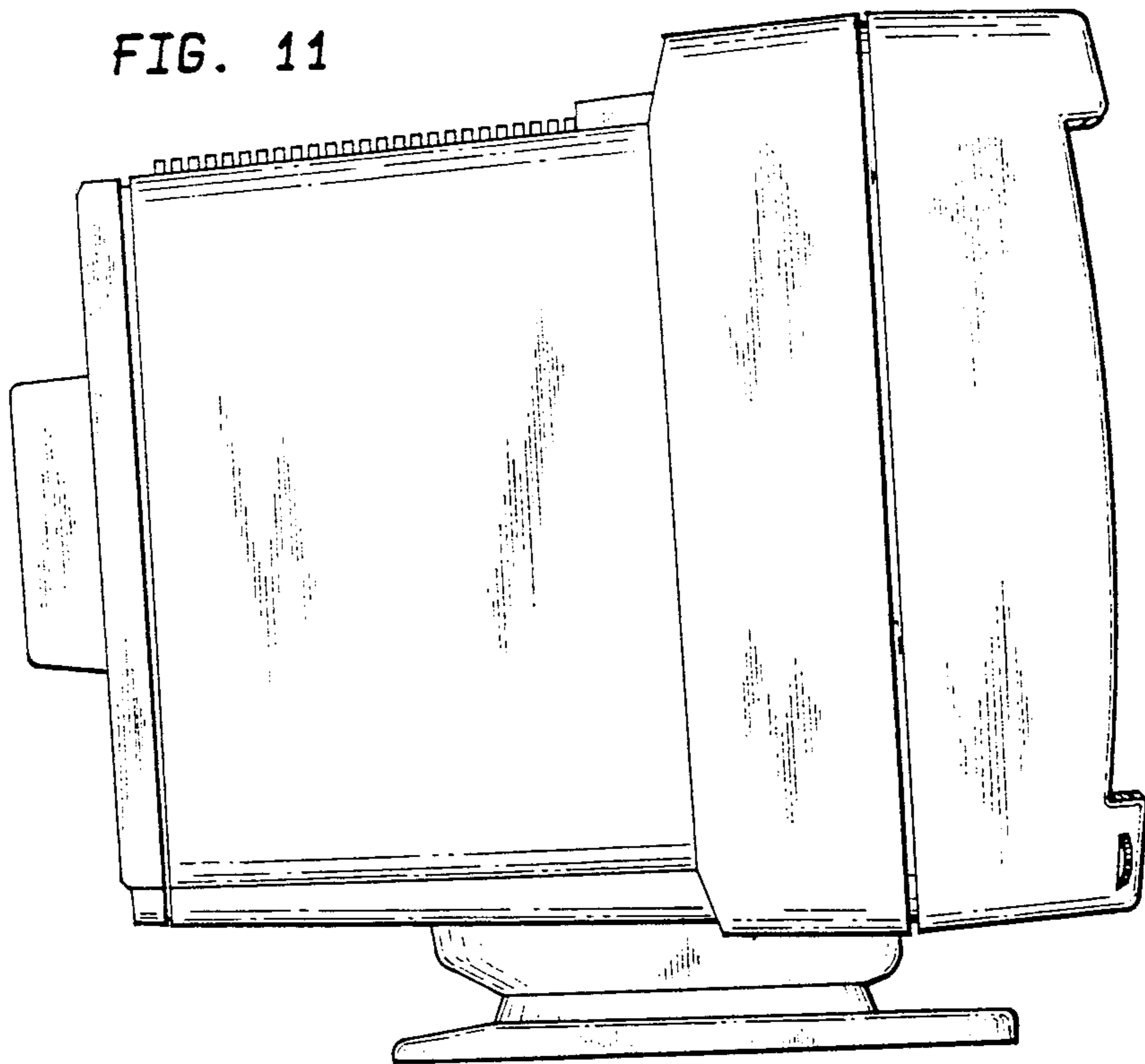


FIG. 12

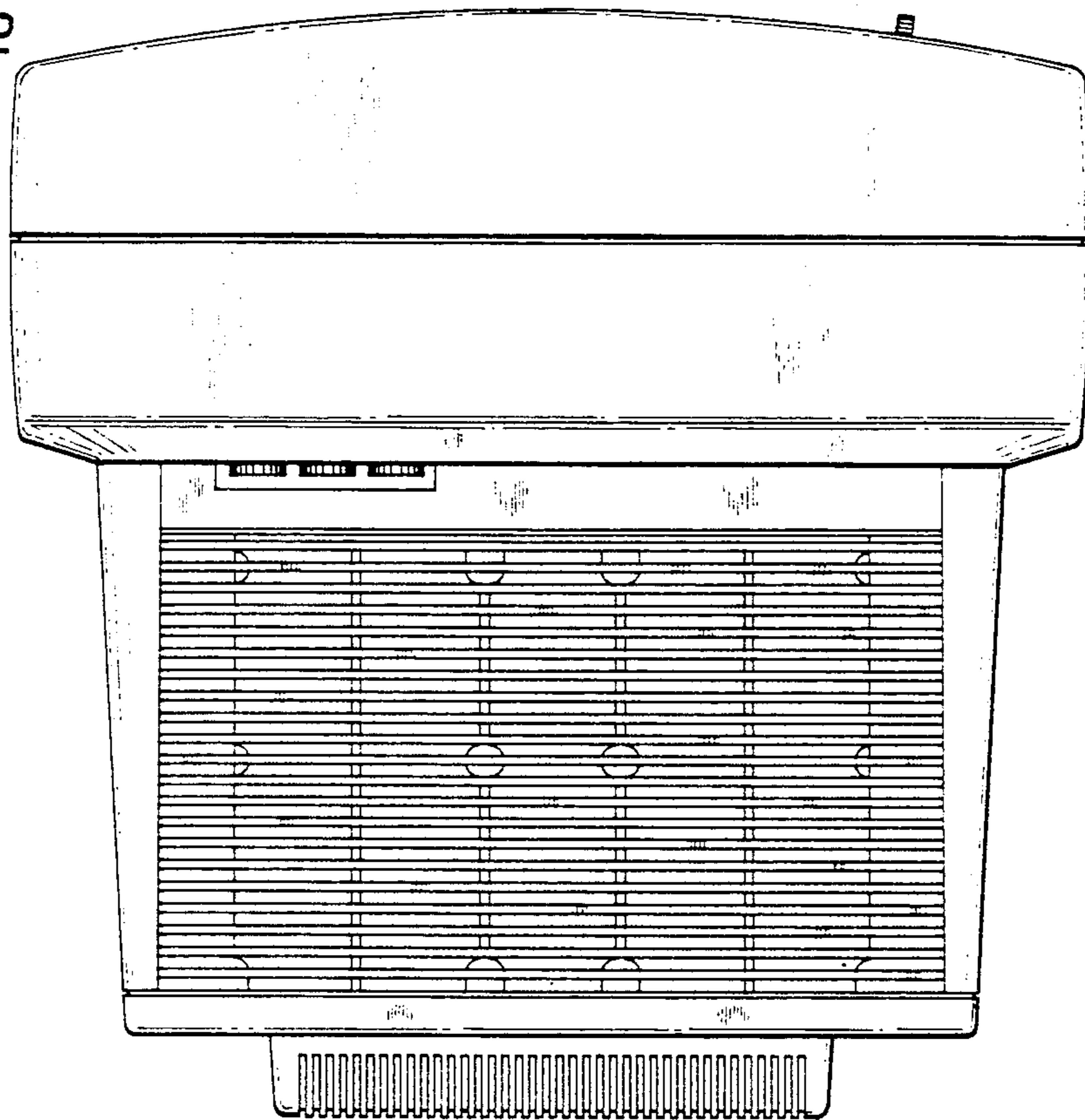


FIG. 13

