



US00D329840S

United States Patent [19]

[11] Patent Number: **Des. 329,840**

Nociar

[45] Date of Patent: **** Sep. 29, 1992**

[54] **ELECTRICAL RECEPTACLE**

2034983 6/1980 United Kingdom 439/350

[75] Inventor: **Emil R. Nociar, Calgary, Canada**

OTHER PUBLICATIONS

[73] Assignee: **Seismic Products Canada Inc.,
Calgary, Canada**

Photographs of an Electrical Receptacle Labeled A through F submitted by applicant.

[**] Term: **14 Years**

Primary Examiner—Wallace R. Burke

[21] Appl. No.: **616,009**

Assistant Examiner—J. Sincavage

[22] Filed: **Nov. 20, 1990**

Attorney, Agent, or Firm—Notaro & Michalos

[30] **Foreign Application Priority Data**

[57] CLAIM

Jun. 27, 1990 [CA] Canada 27-06-90-7

The ornamental design for an electrical receptacle, as shown and described.

[52] U.S. Cl. **D13/146; D13/156**

DESCRIPTION

[58] Field of Search D13/133, 146, 147;
439/35, 36, 135, 136, 604, 606, 650, 651, 652,
660, 654, 668, 678, 682

FIG. 1 is a front elevational view of an electrical receptacle my new design;

FIG. 2 is a rear elevational view thereof;

FIG. 3 is a right side elevational view thereof;

FIG. 4 is a left side elevational view thereof;

FIG. 5 is a bottom plan view thereof;

FIG. 6 is a top plan view thereof; and,

FIG. 7 is a front and upper left perspective view of the receptacle shown on an enlarged scale with the cover in the open position.

The broken line showing of the grounding strap and terminal shown in FIGS. 3 through 7 is included for the purpose of illustrating environmental elements only and forms no part of the claimed design.

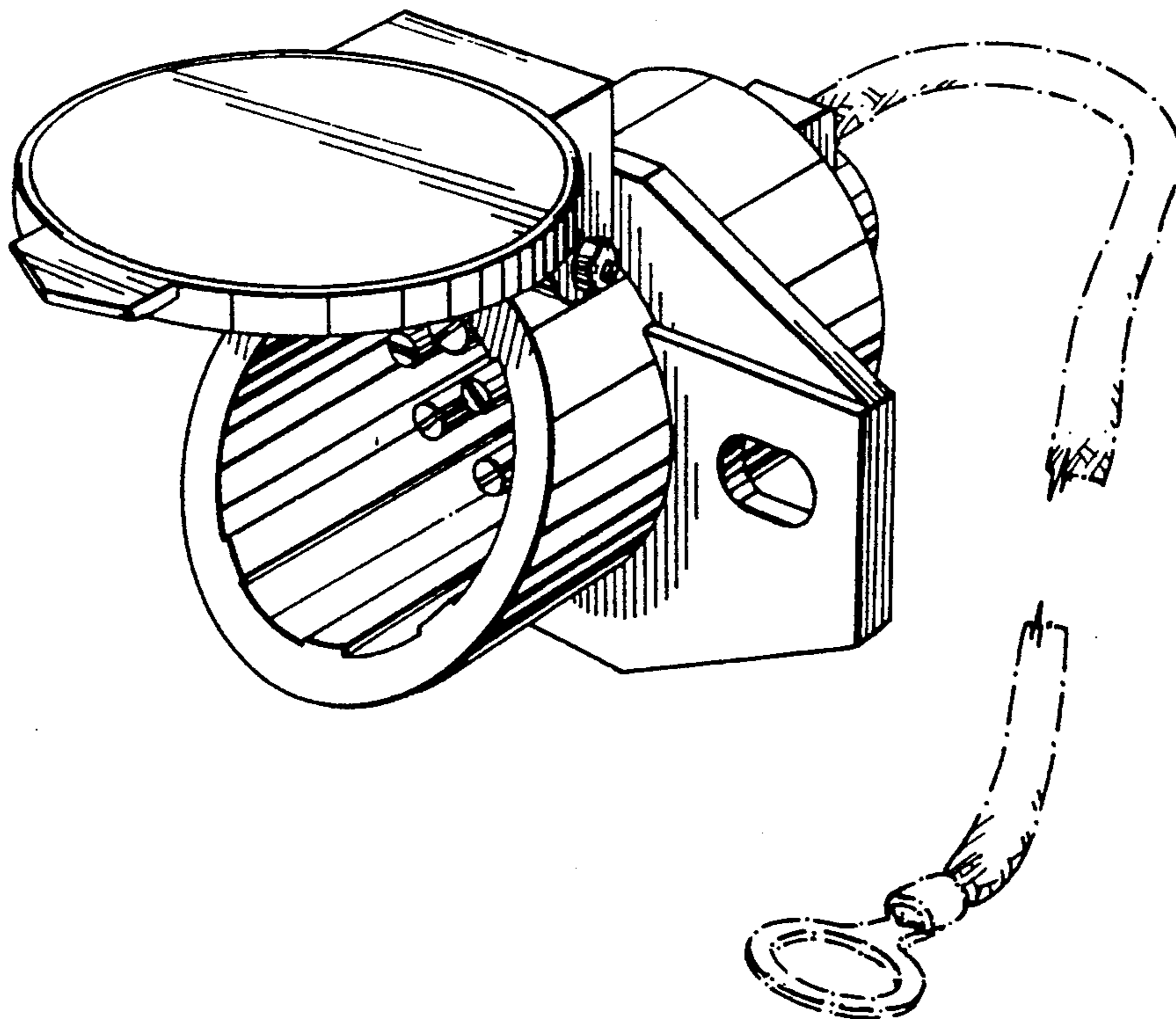
[56] References Cited

U.S. PATENT DOCUMENTS

- D. 189,350 11/1960 Bellek D13/137 X
- D. 227,989 7/1973 Geisel D13/156
- D. 320,384 10/1991 Jacobs D13/156 X
- 4,061,407 12/1977 Snow 439/35
- 4,770,644 9/1988 Feder 439/35 X

FOREIGN PATENT DOCUMENTS

- 3715358 11/1988 Fed. Rep. of Germany 429/136



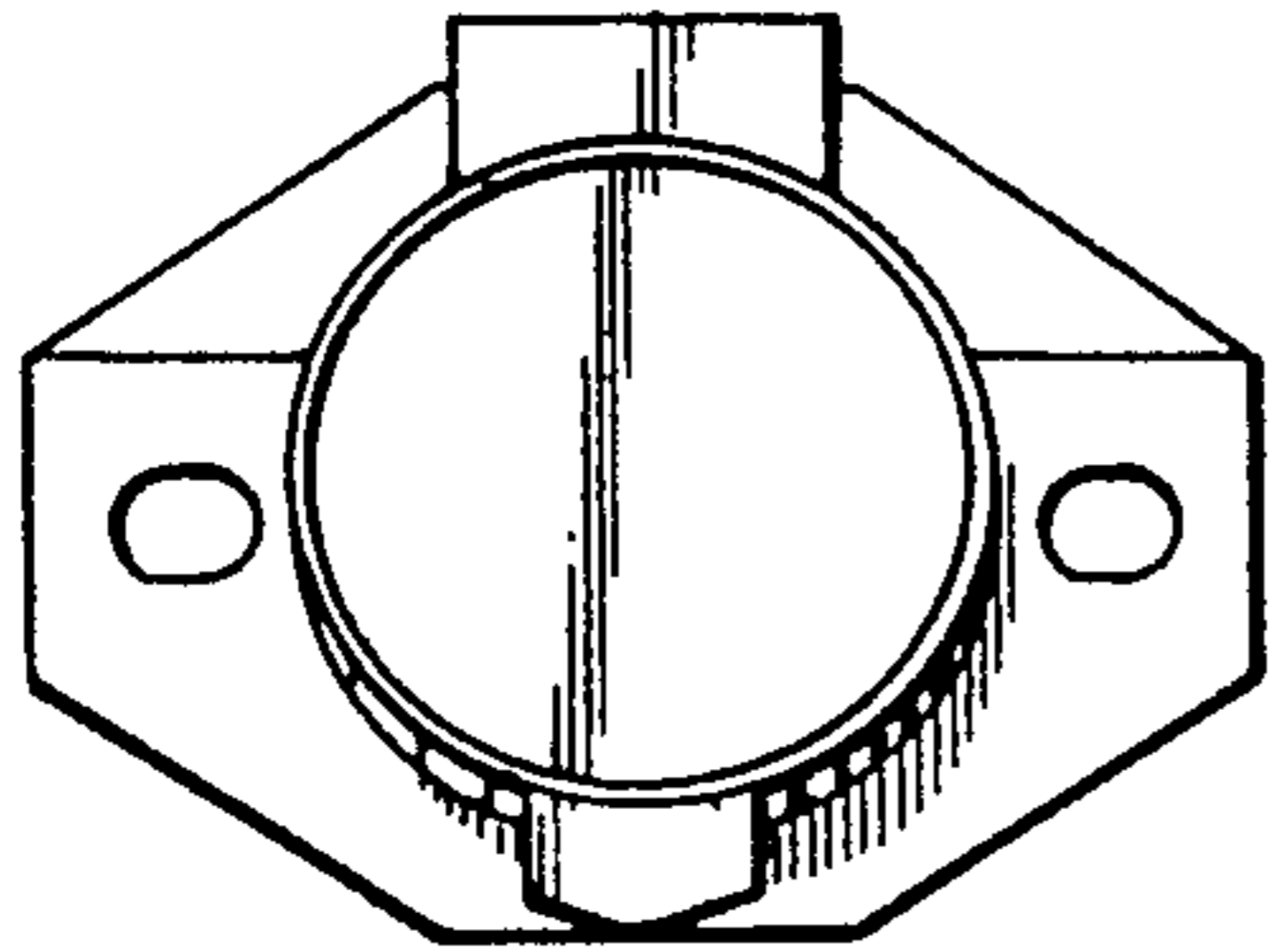


FIG. 1

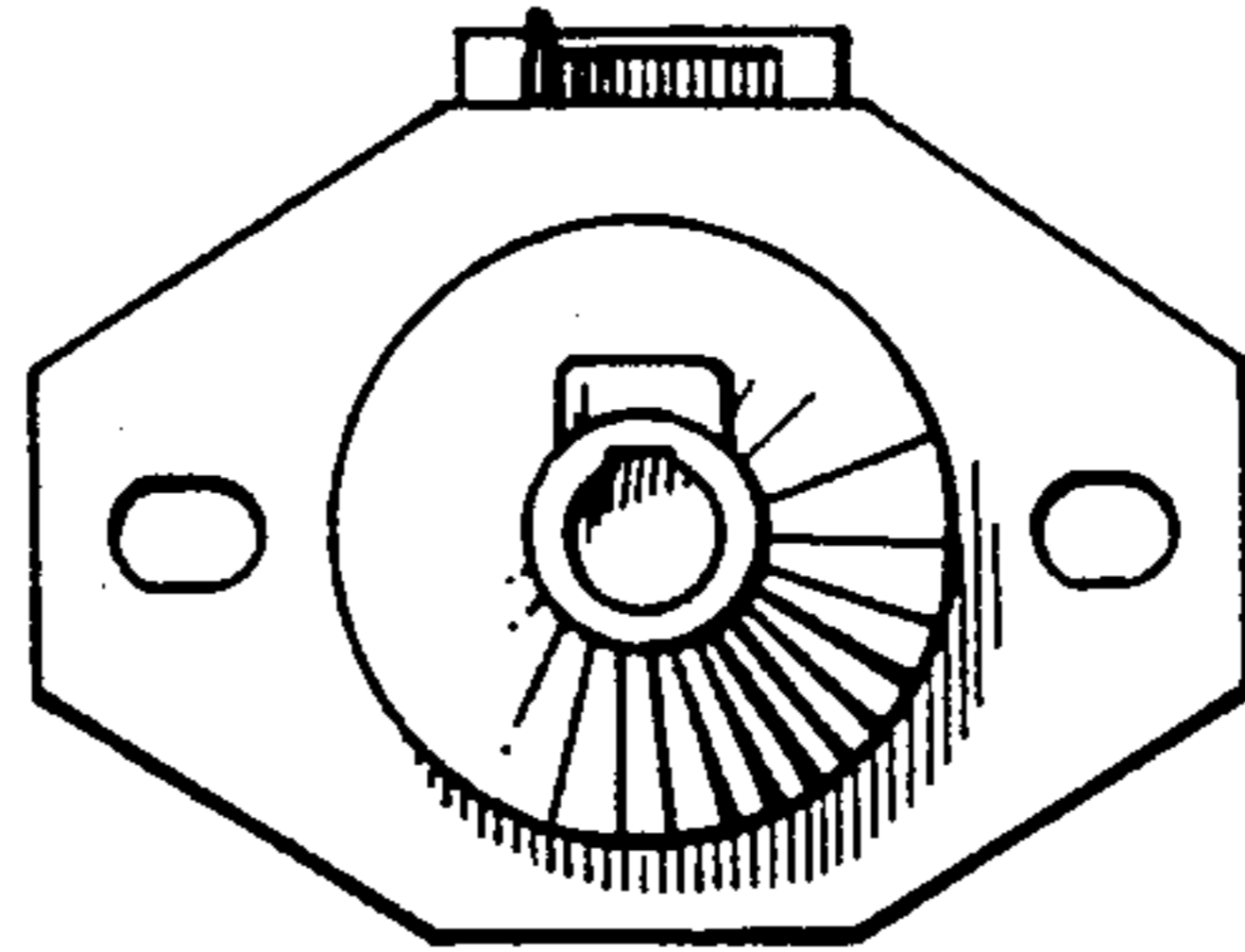


FIG. 2

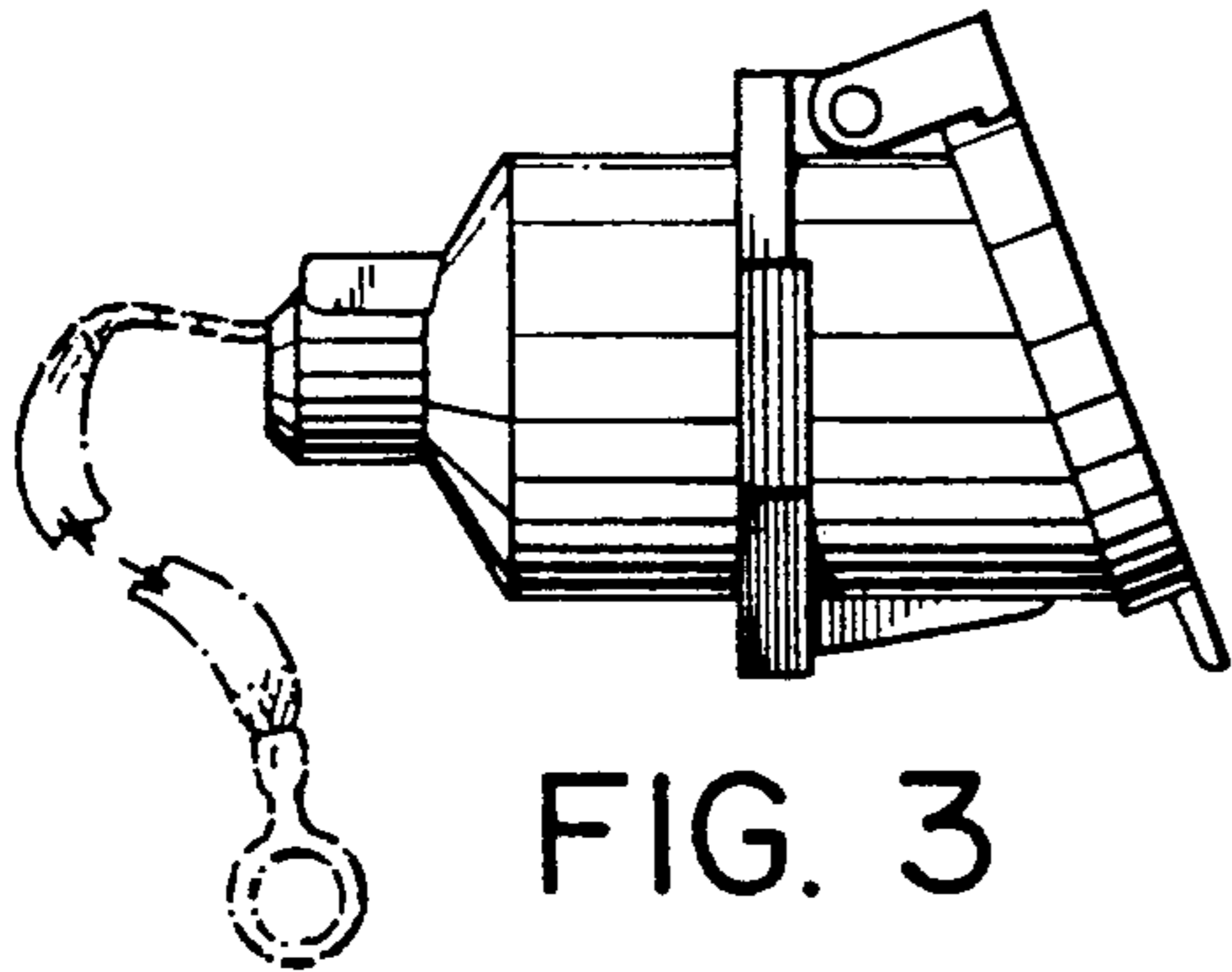


FIG. 3

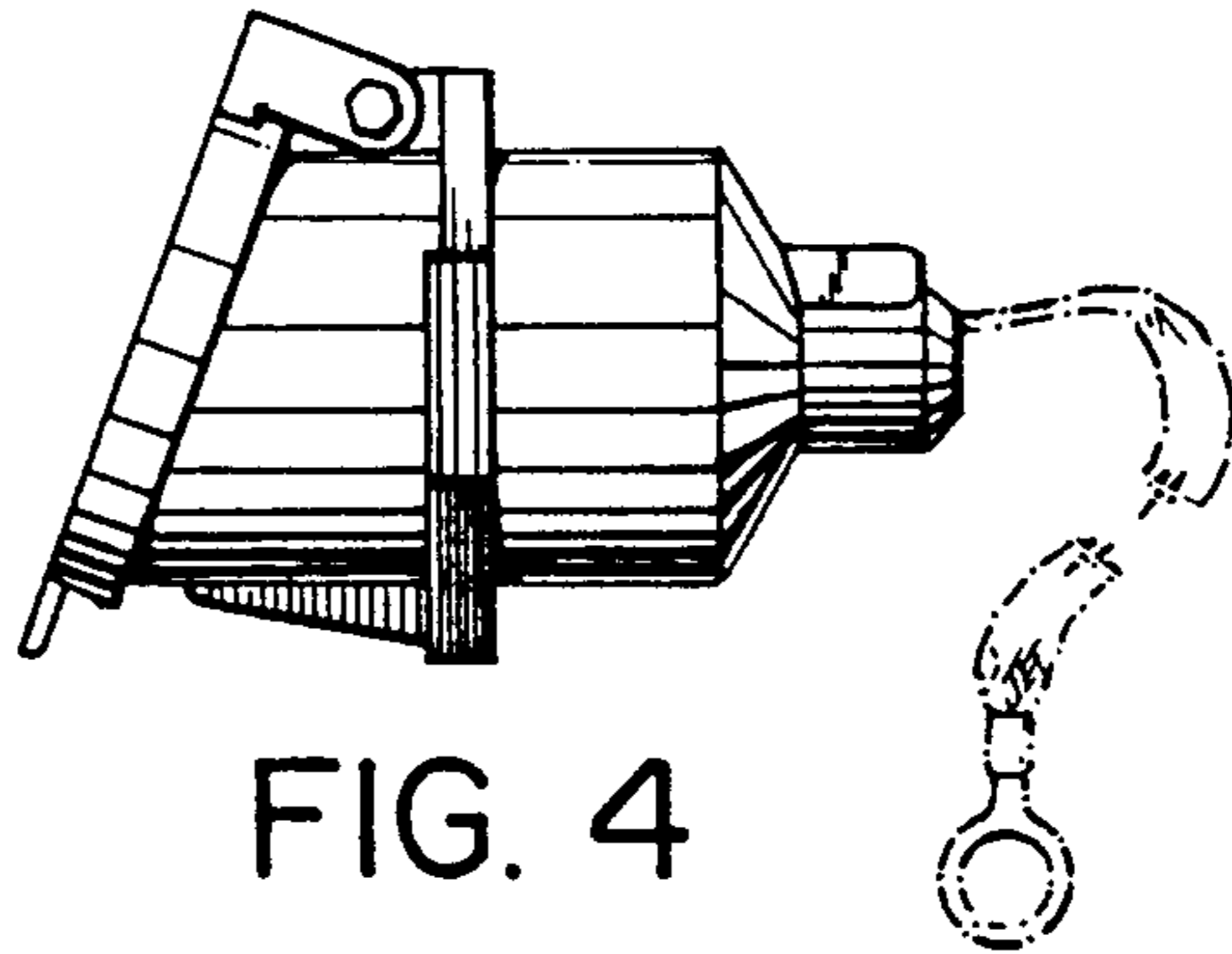


FIG. 4

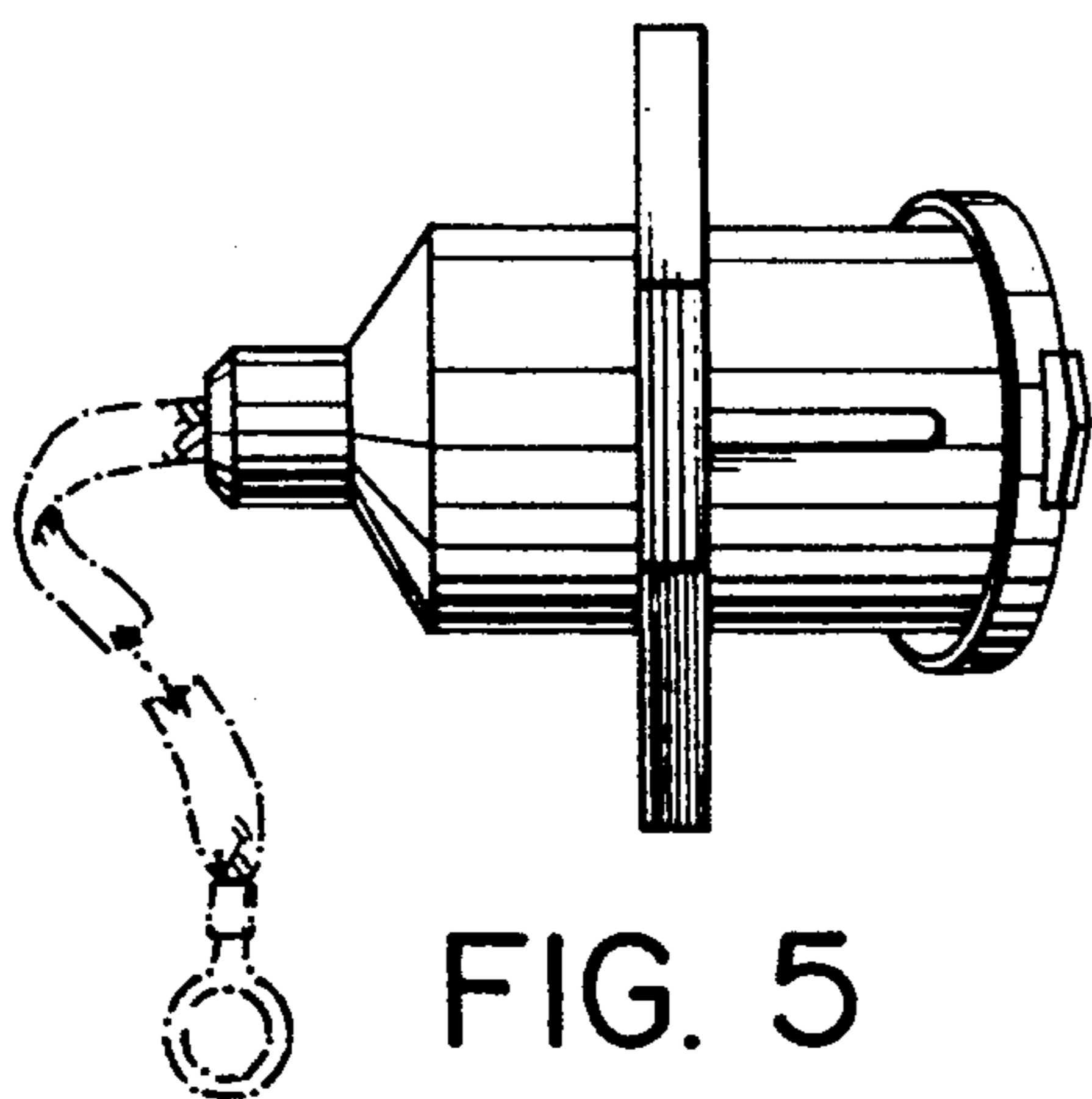


FIG. 5

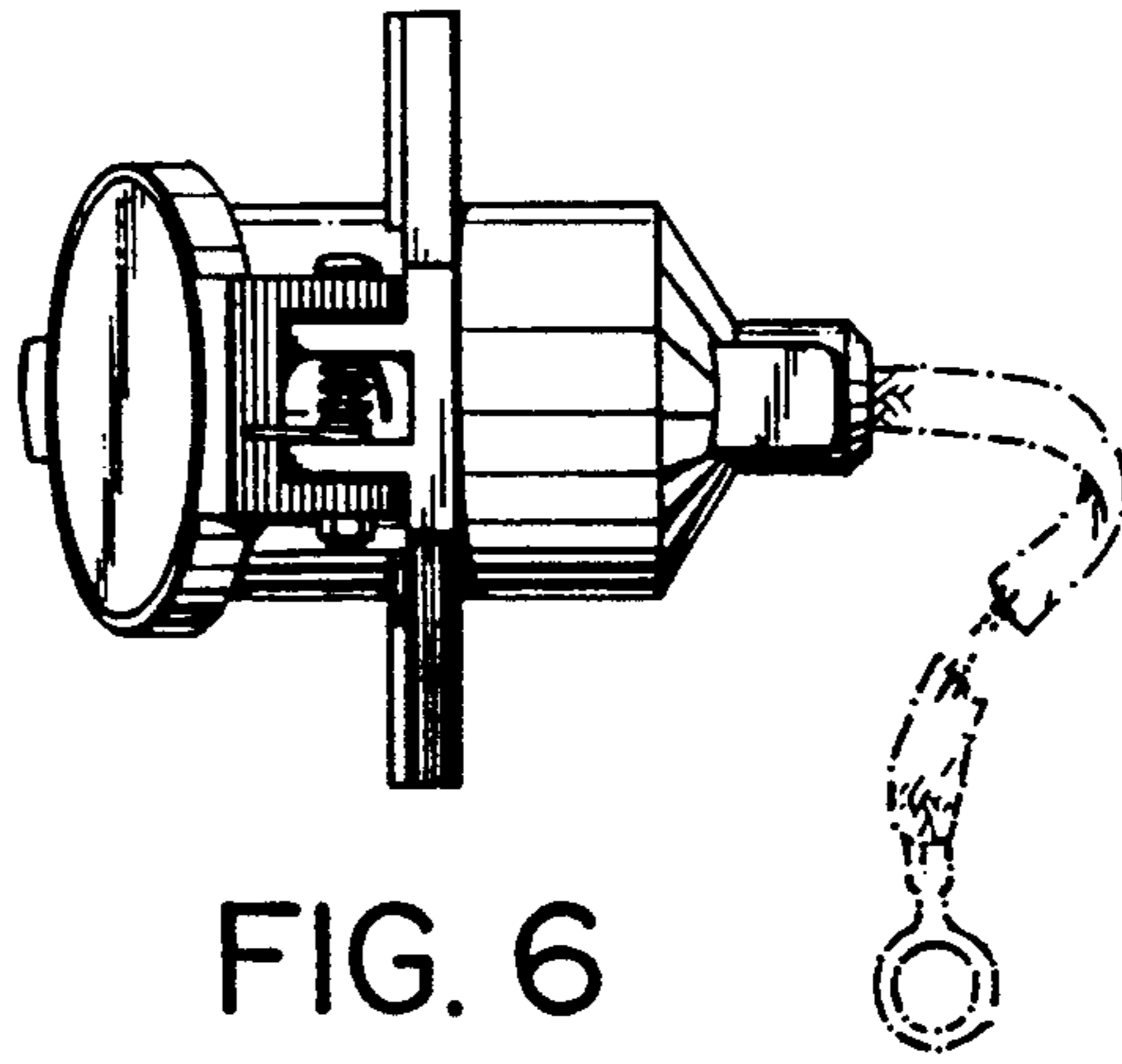


FIG. 6

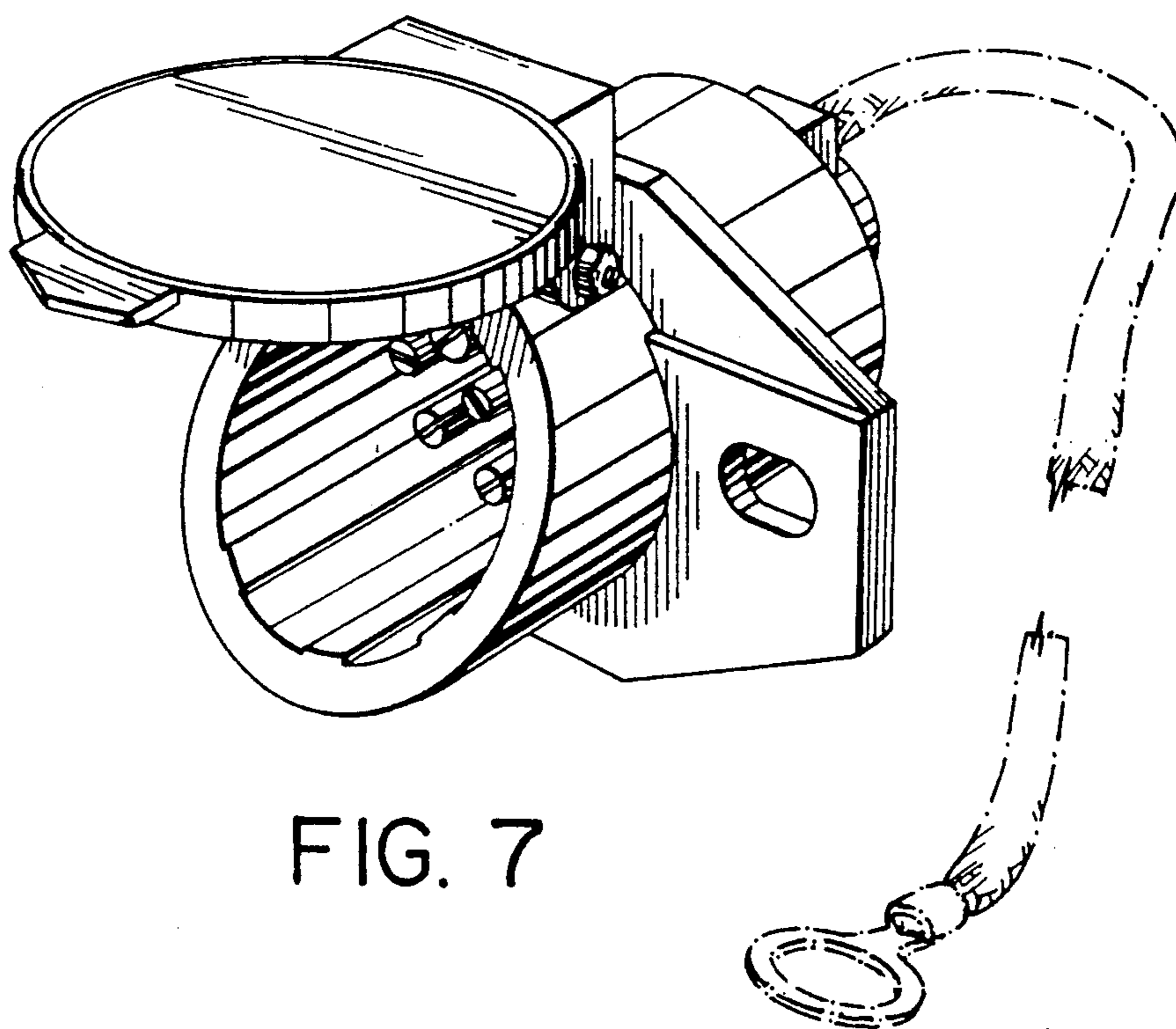


FIG. 7