



US00D329839S

United States Patent [19]

Ehrhart

[11] Patent Number: **Des. 329,839**

[45] Date of Patent: **** Sep. 29, 1992**

[54] INCREMENTAL CODER

[75] Inventor: **Michel Ehrhart**, Strasbourg, France

[73] Assignee: **Hohner Automation Societe Anonyme**, Eckbolsheim, France

[**] Term: **14 Years**

[21] Appl. No.: **548,843**

[22] Filed: **Jul. 6, 1990**

[30] Foreign Application Priority Data

Jan. 31, 1990 [FR] France 632

[52] U.S. Cl. **D13/118; D13/112**

[58] Field of Search **D13/112, 123, 158, 162; 318/254, 619, 621, 622; 388/812, 902, 912; 310/43, 68 R; 361/395**

[56] References Cited

U.S. PATENT DOCUMENTS

D. 213,563 3/1969 Mabuchi D13/112

D. 298,228 10/1988 Hoshino D13/112

4,728,834 3/1988 Kumar et al. 361/395 X

4,806,811 2/1989 Mayumi et al. 310/89

OTHER PUBLICATIONS

Encoders on p. 350 of *Design News* Oct. 3, 1988, Located in PTO Group 290 Library.

Incremental encoder on p. 127 of *Design News* Feb. 13, 1989, Located in PTO Group 290 Library.

Primary Examiner—Wallace R. Burke

Assistant Examiner—Joel Sincavage

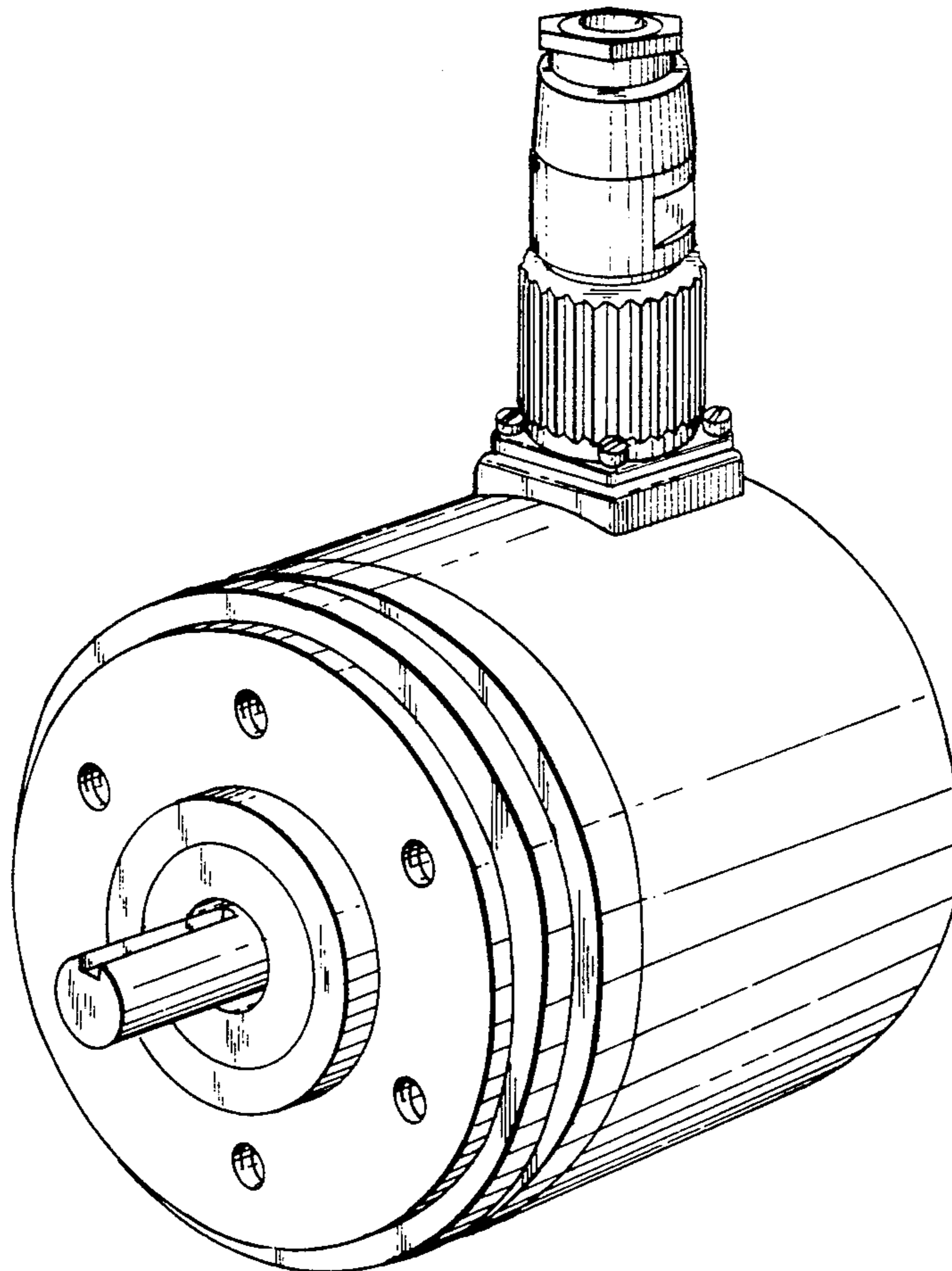
Attorney, Agent, or Firm—Young & Thompson

[57] CLAIM

The ornamental design for an incremental coder, as shown and described.

DESCRIPTION

FIG. 1 is a left side elevational view of an incremental coder showing my new design, the right side elevational view thereof being a mirror image; FIG. 2 is a front elevational view thereof; FIG. 3 is a rear elevational view thereof; FIG. 4 is a top plan view thereof; FIG. 5 is a bottom plan view thereof; and, FIG. 6 is a top, front and right side perspective view thereof.



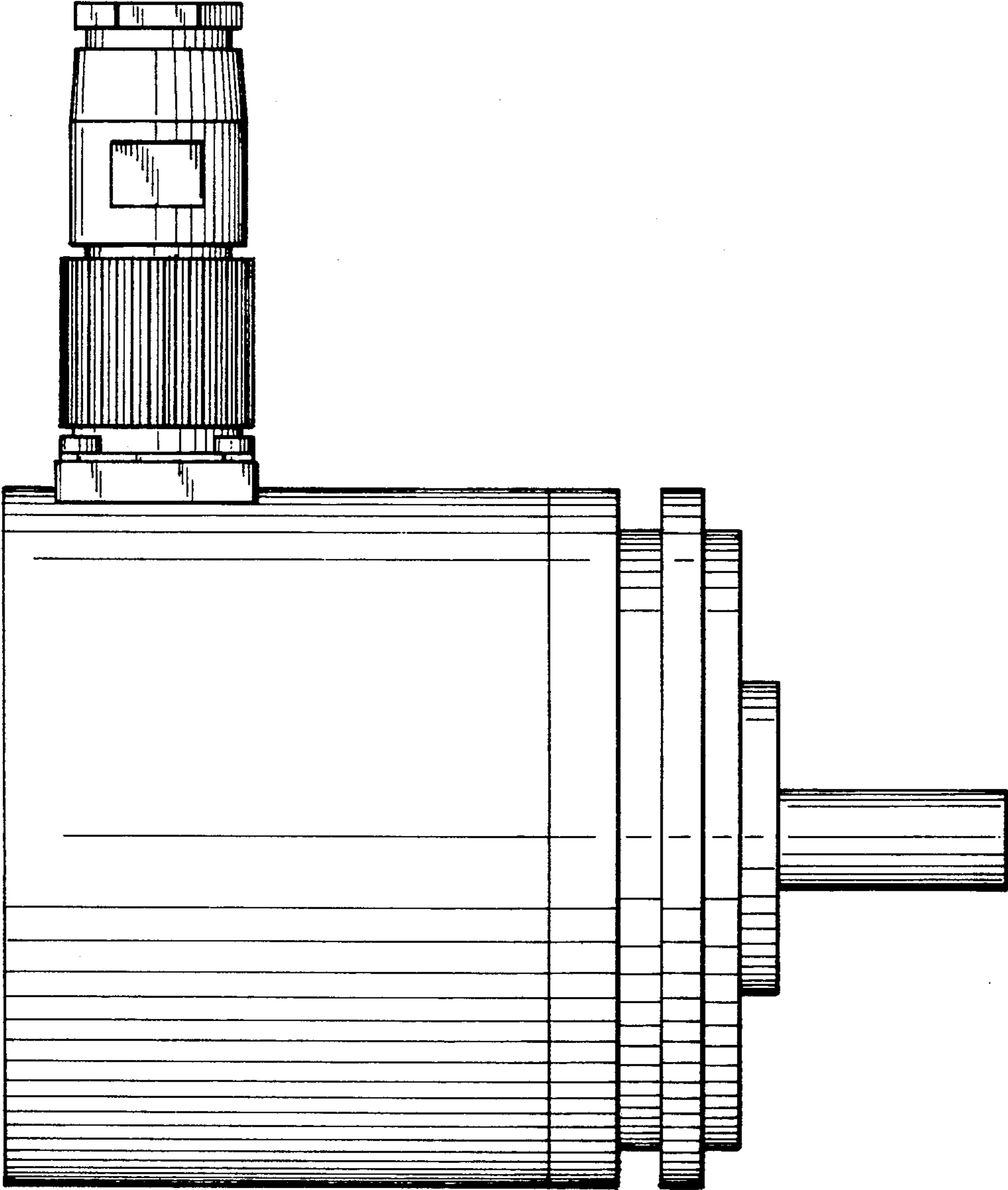


FIG. 1

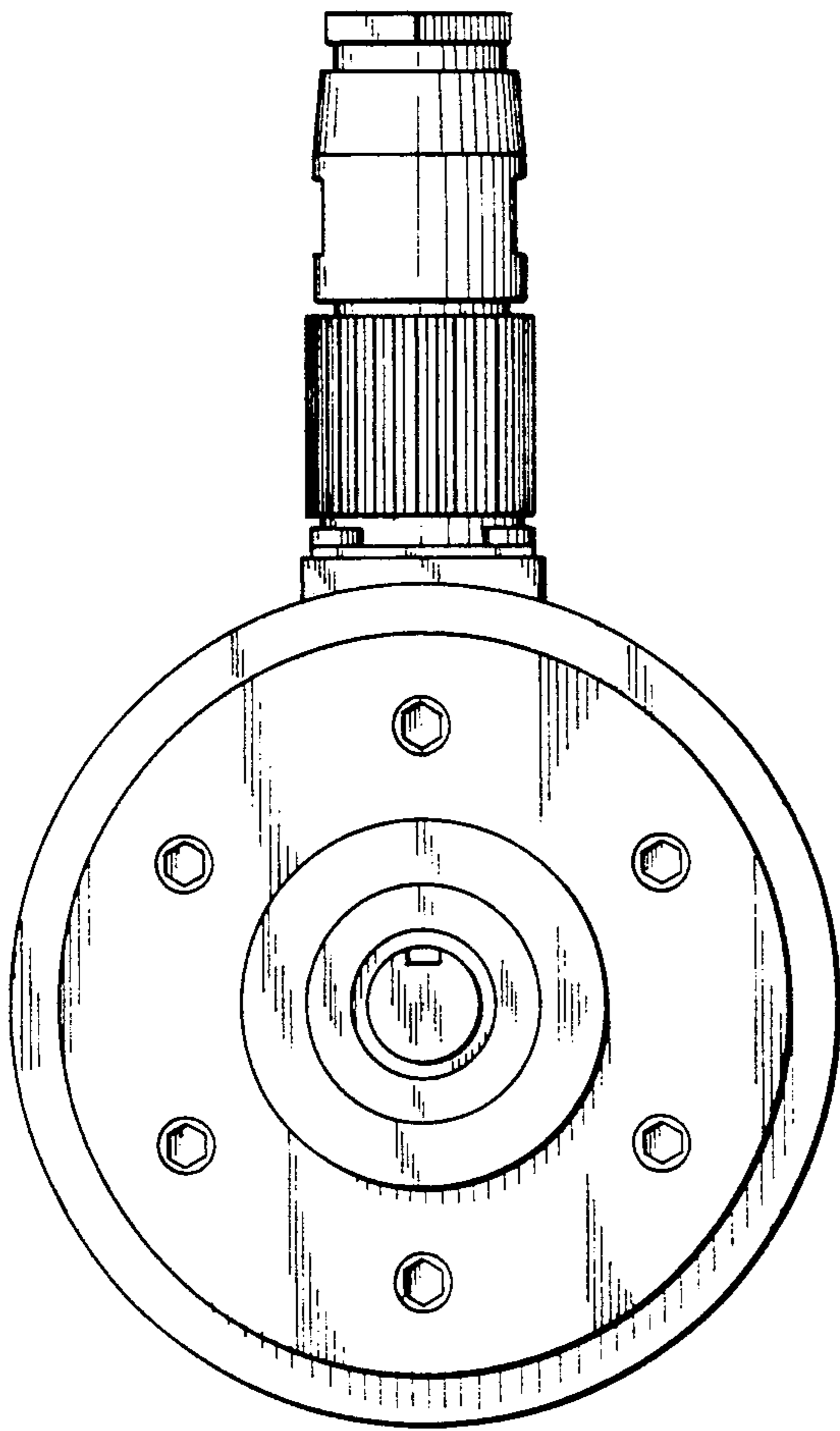


FIG. 2

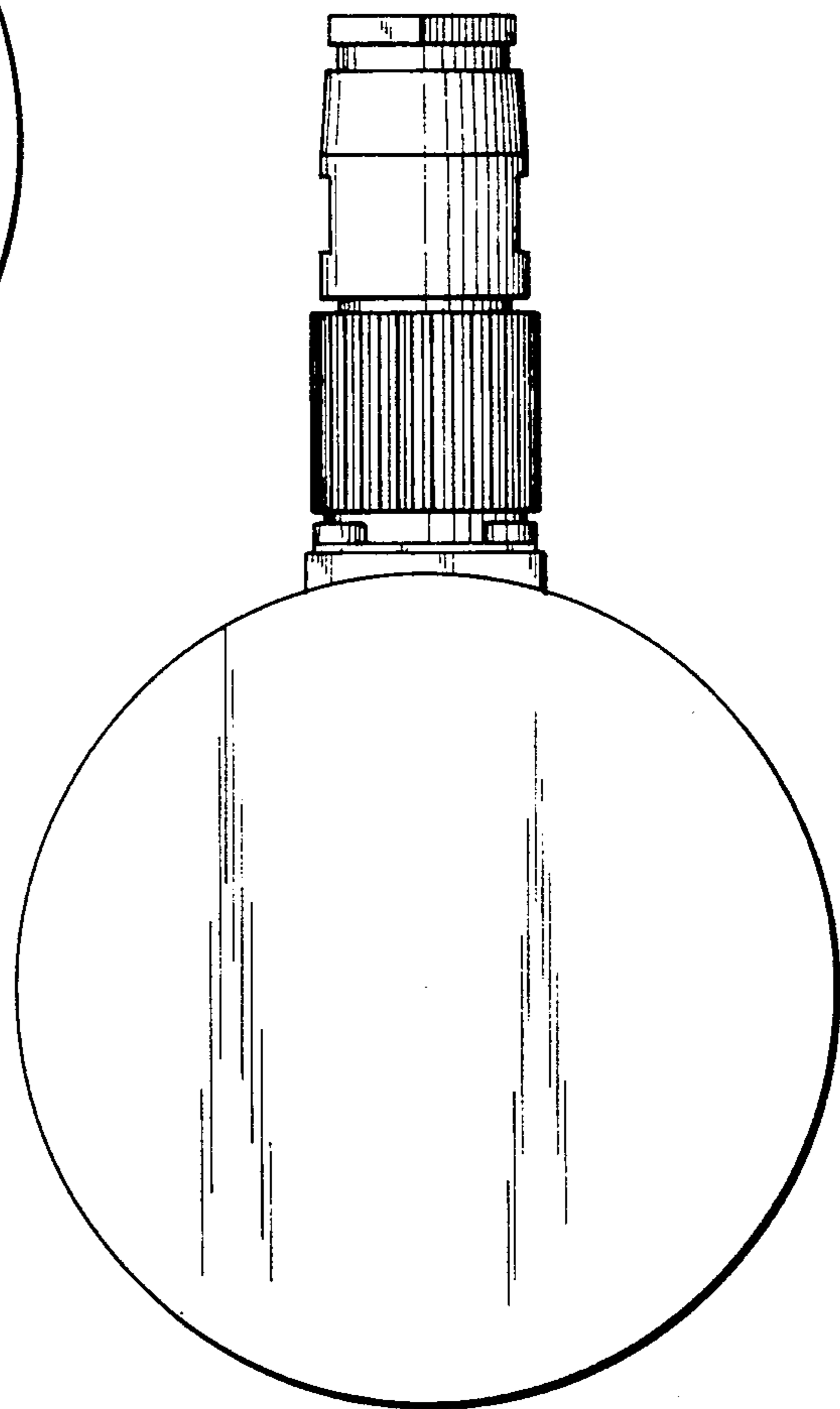


FIG. 3

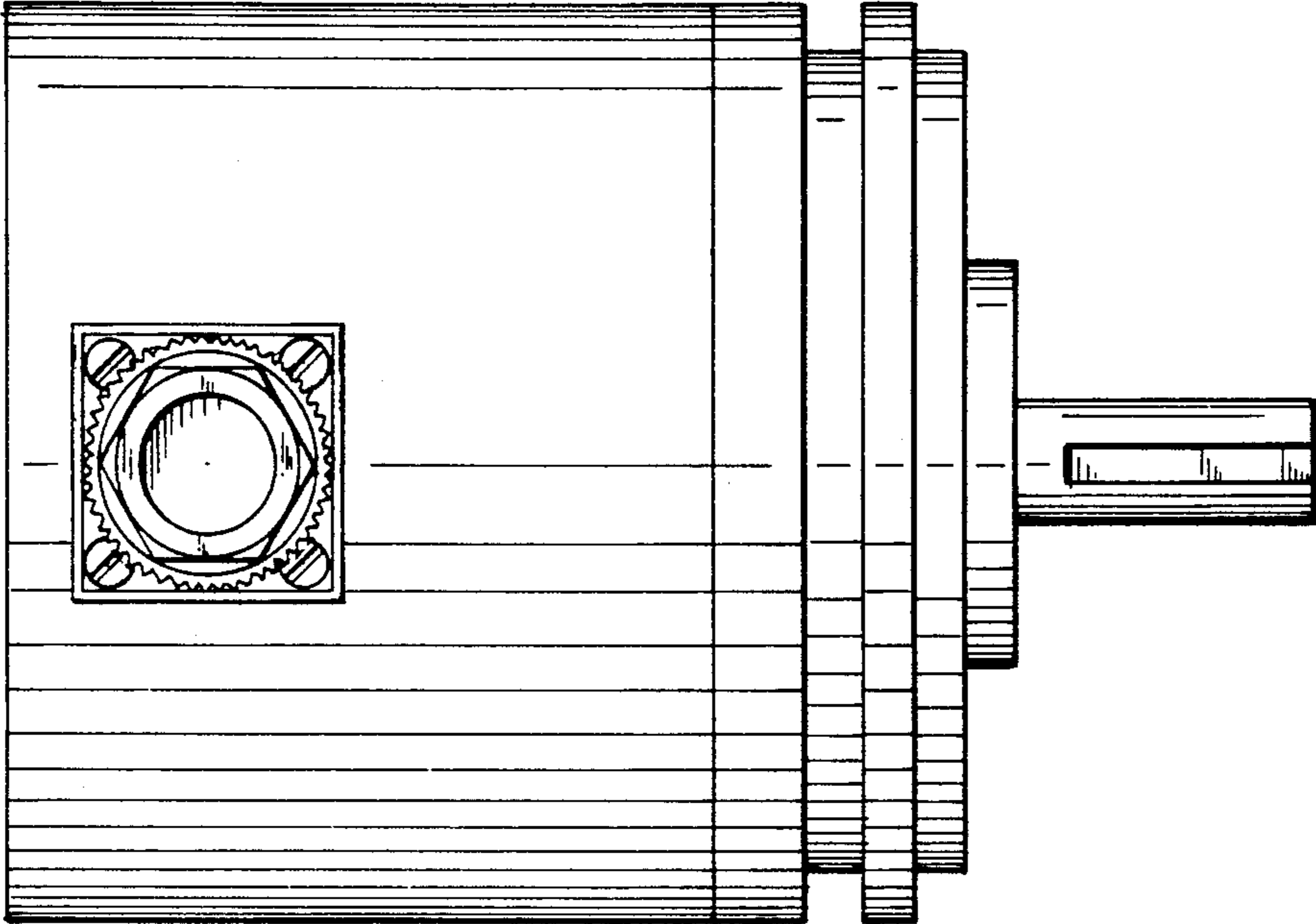


FIG. 4

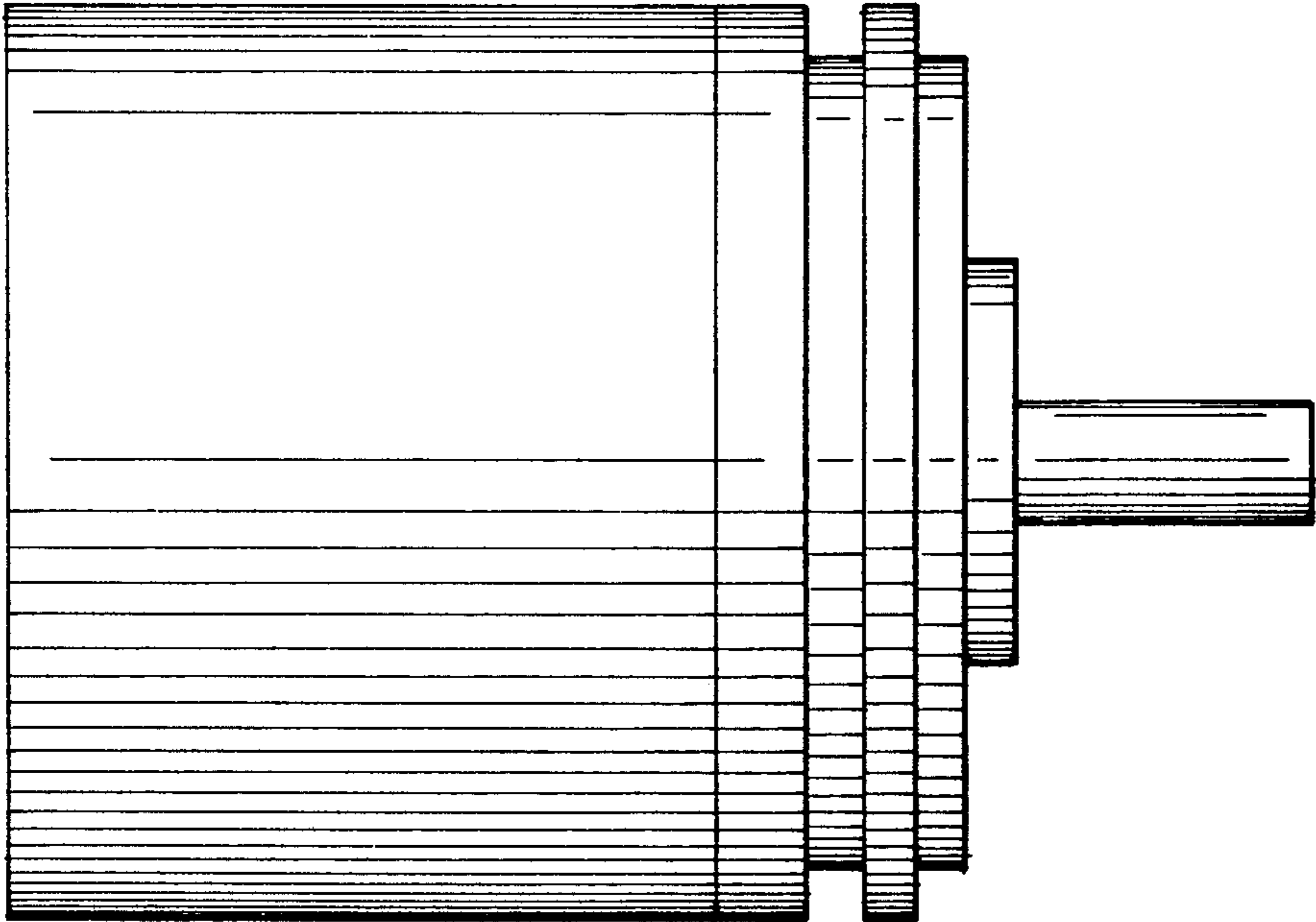


FIG. 5

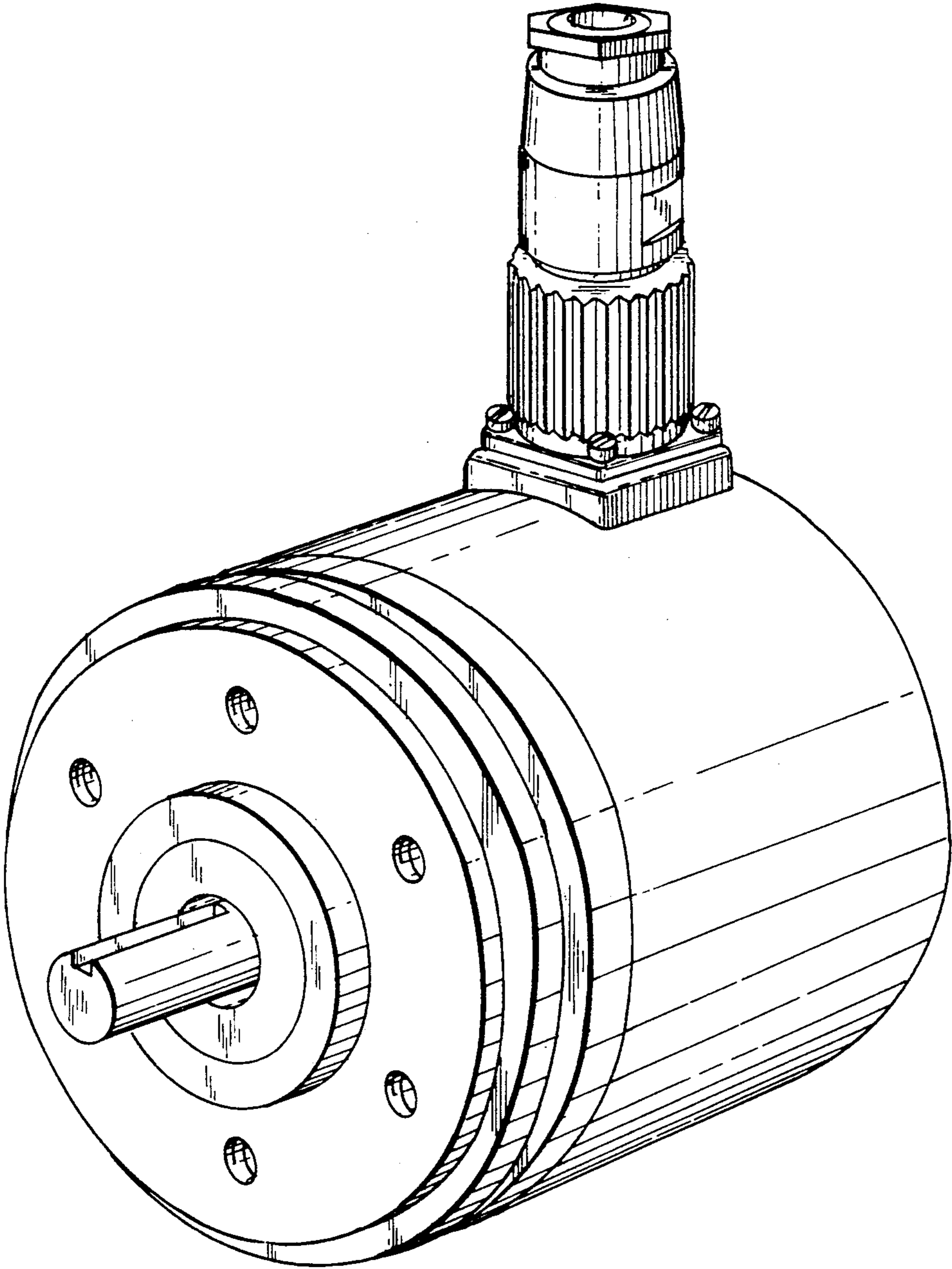


FIG. 6