



US00D329838S

United States Patent [19]

[11] Patent Number: **Des. 329,838**

Dean

[45] Date of Patent: **** Sep. 29, 1992**

[54] **MULTI-PURPOSE STORAGE RACK FOR MOUNTING ABOVE THE ENGINE ON A BOAT**

4,836,124 6/1989 Haasl 248/642

Primary Examiner—Kay H. Chin
Attorney, Agent, or Firm—Leon Gilden

[76] Inventor: **Michael R. Dean**, 1843 Surf and Sand, Bullhead City, Ariz. 86442

[57] **CLAIM**

[**] Term: **14 Years**

The ornamental design for a multi-purpose storage rack for mounting above the engine on a boat, as shown and described.

[21] Appl. No.: **559,561**

DESCRIPTION

[22] Filed: **Jul. 27, 1990**

[52] U.S. Cl. **D12/318; D8/381**

[58] Field of Search **D12/318, 317; 248/641, 248/642, 4; 440/61, 53; D8/380, 381**

FIG. 1 is a front elevational view of the multi-purpose storage rack for mounting above the engine on a boat showing my new design;

FIG. 2 is a rear elevational view thereof;

FIG. 3 is a left side elevational view thereof;

FIG. 4 is a right side elevational view thereof;

FIG. 5 is a top plan view thereof;

FIG. 6 is a bottom plan view thereof; and,

FIG. 7 is a top perspective view thereof.

[56] References Cited

U.S. PATENT DOCUMENTS

3,245,641 4/1966 Hart 248/641
3,877,667 4/1975 Monckton 248/4

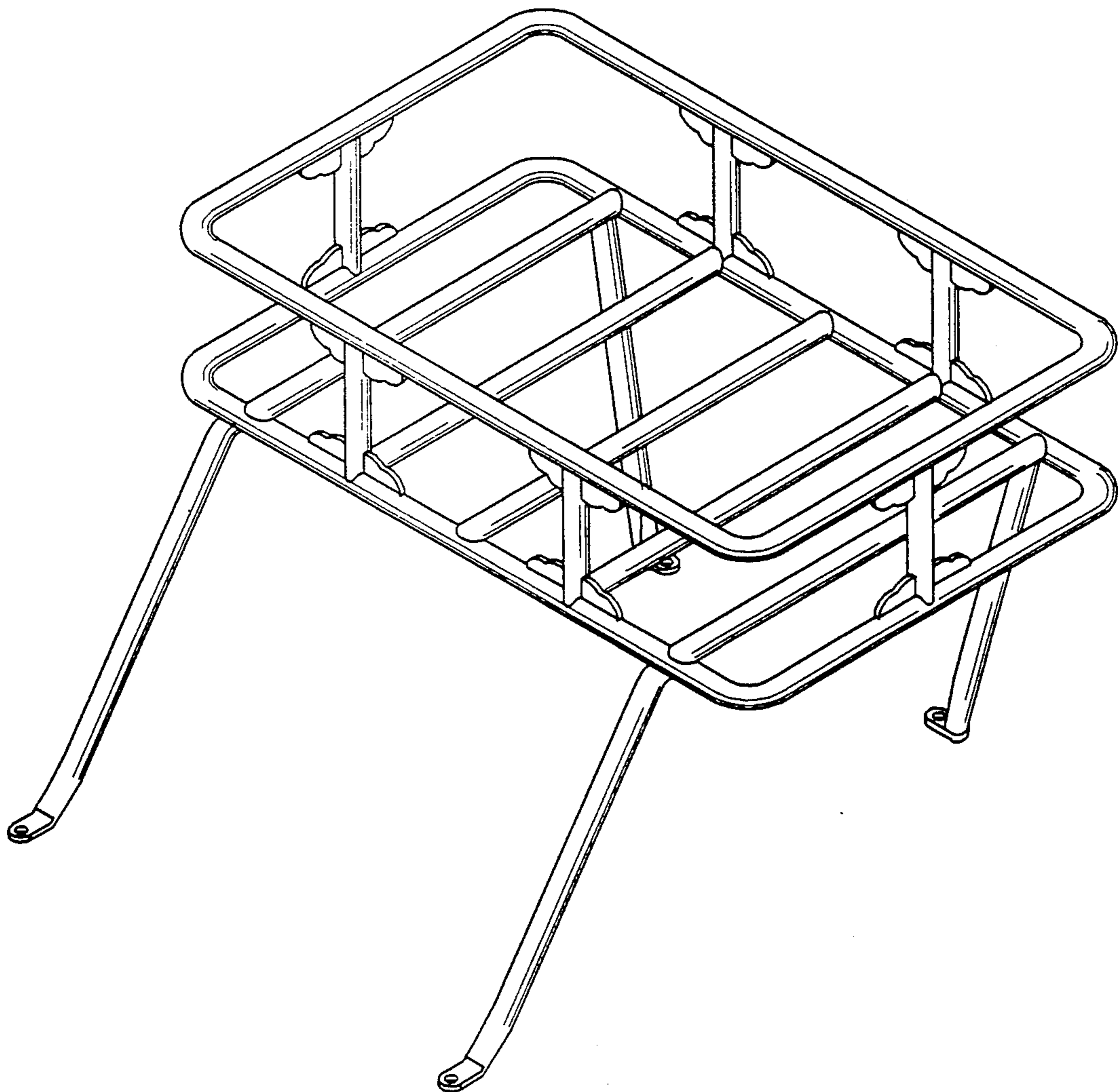


FIG. 1

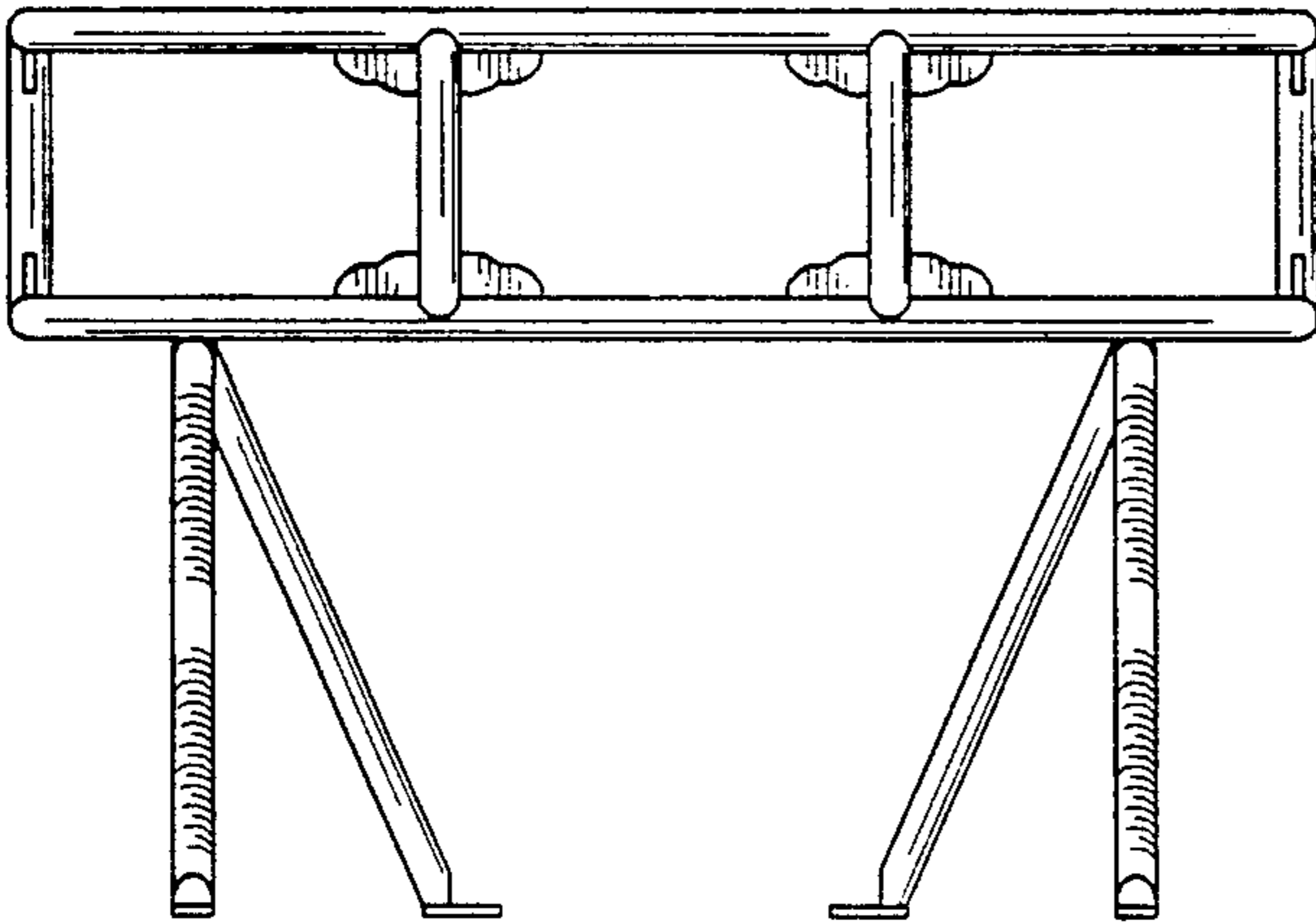


FIG. 2

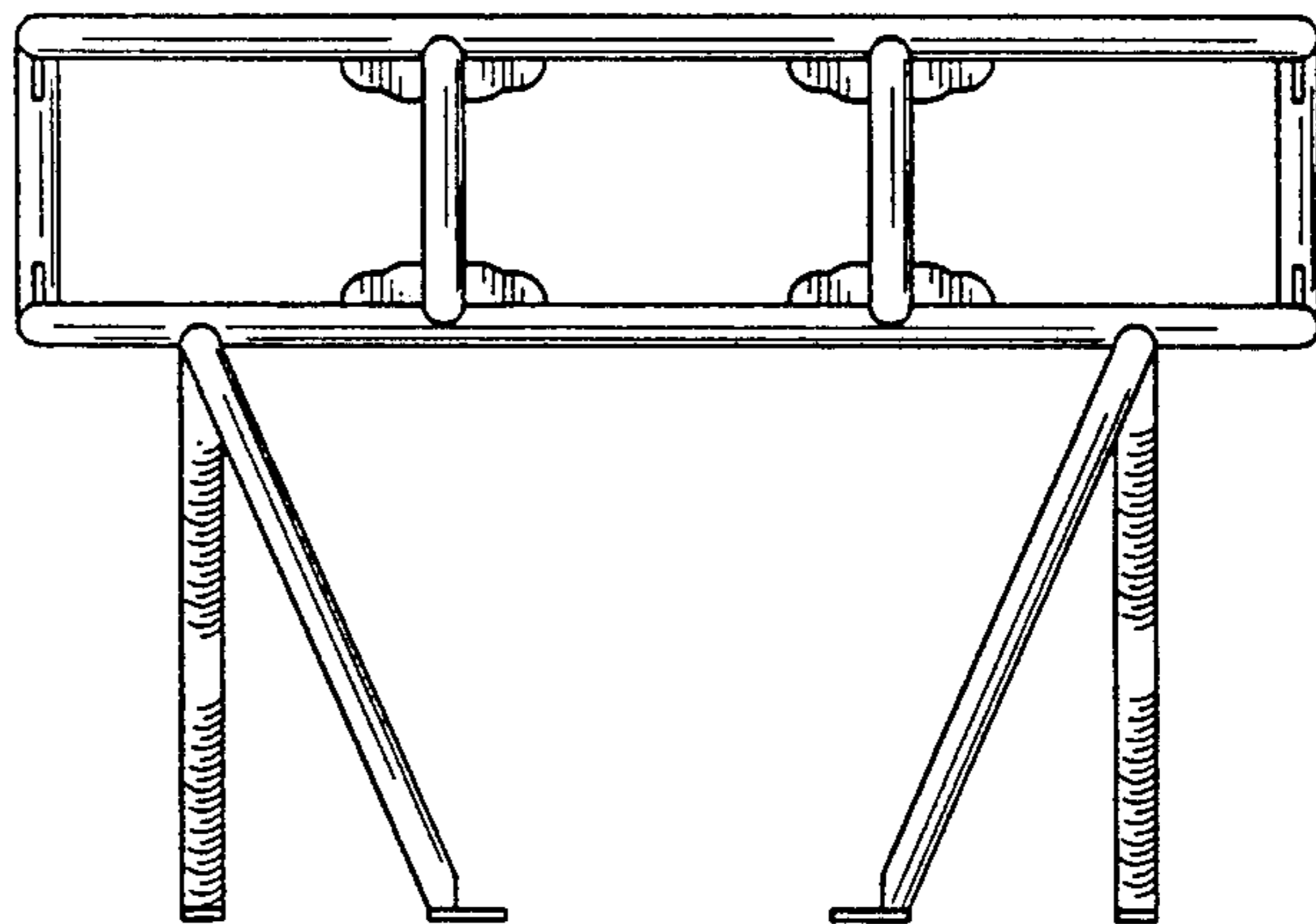


FIG. 3

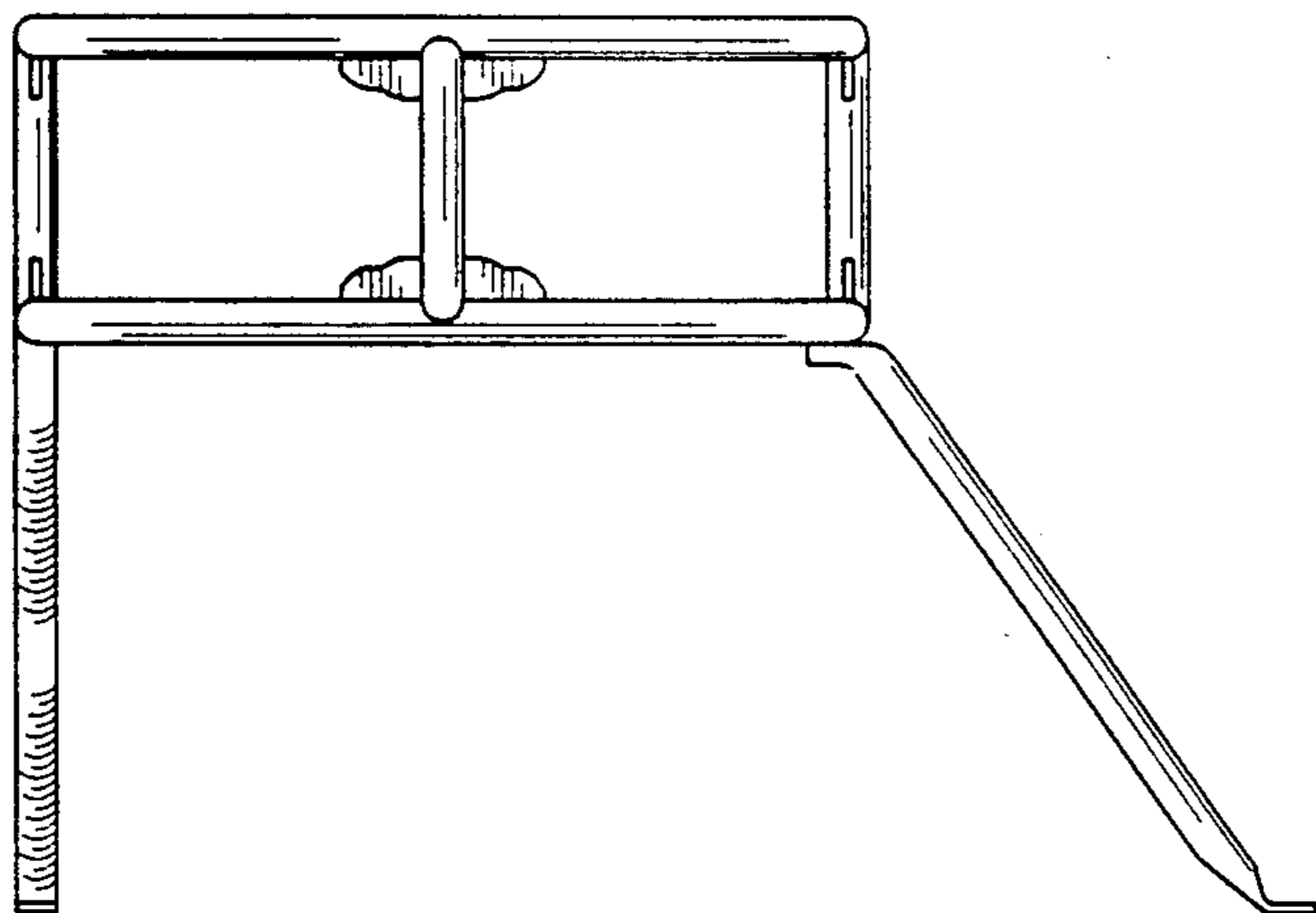


FIG. 4

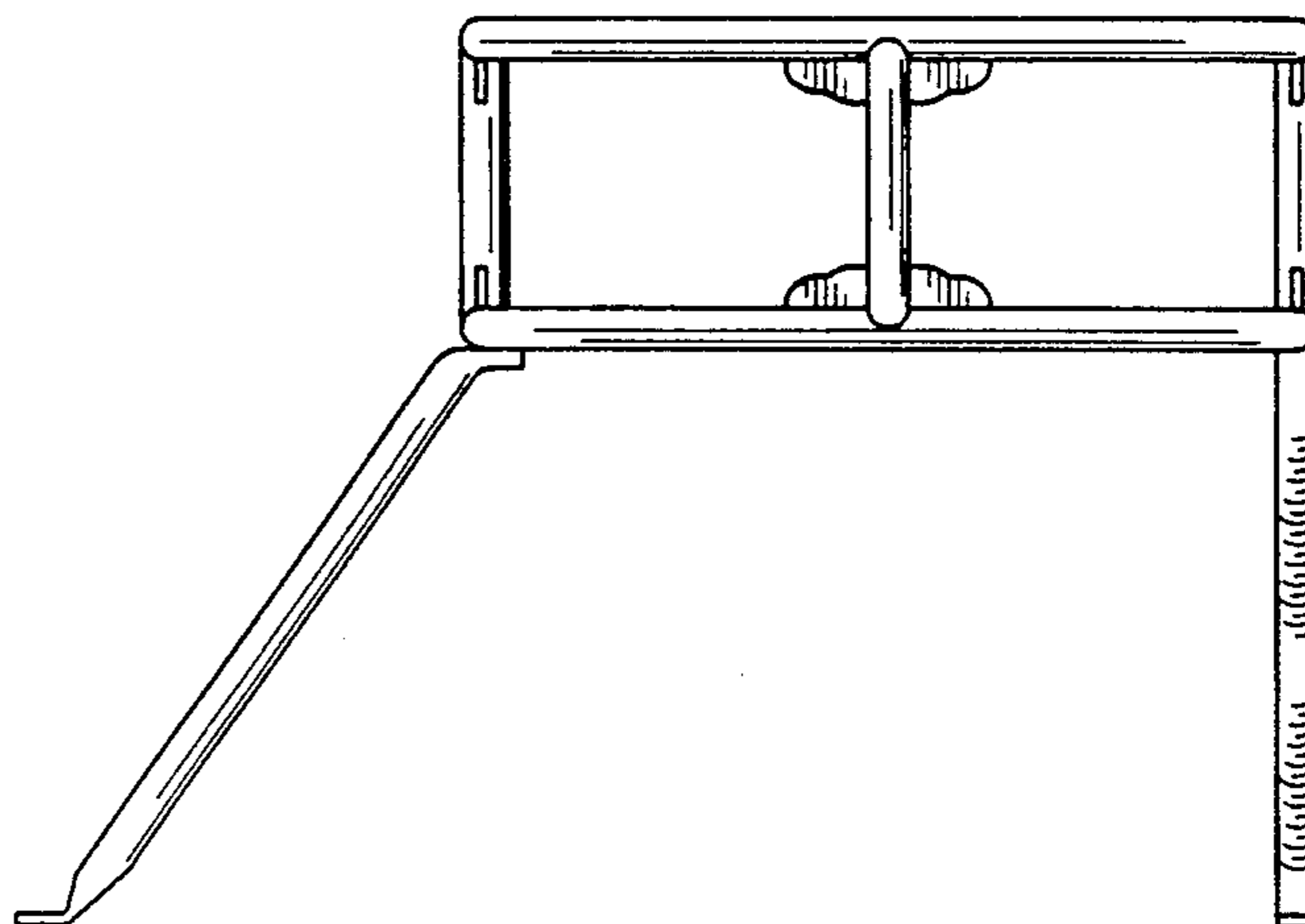


FIG. 5

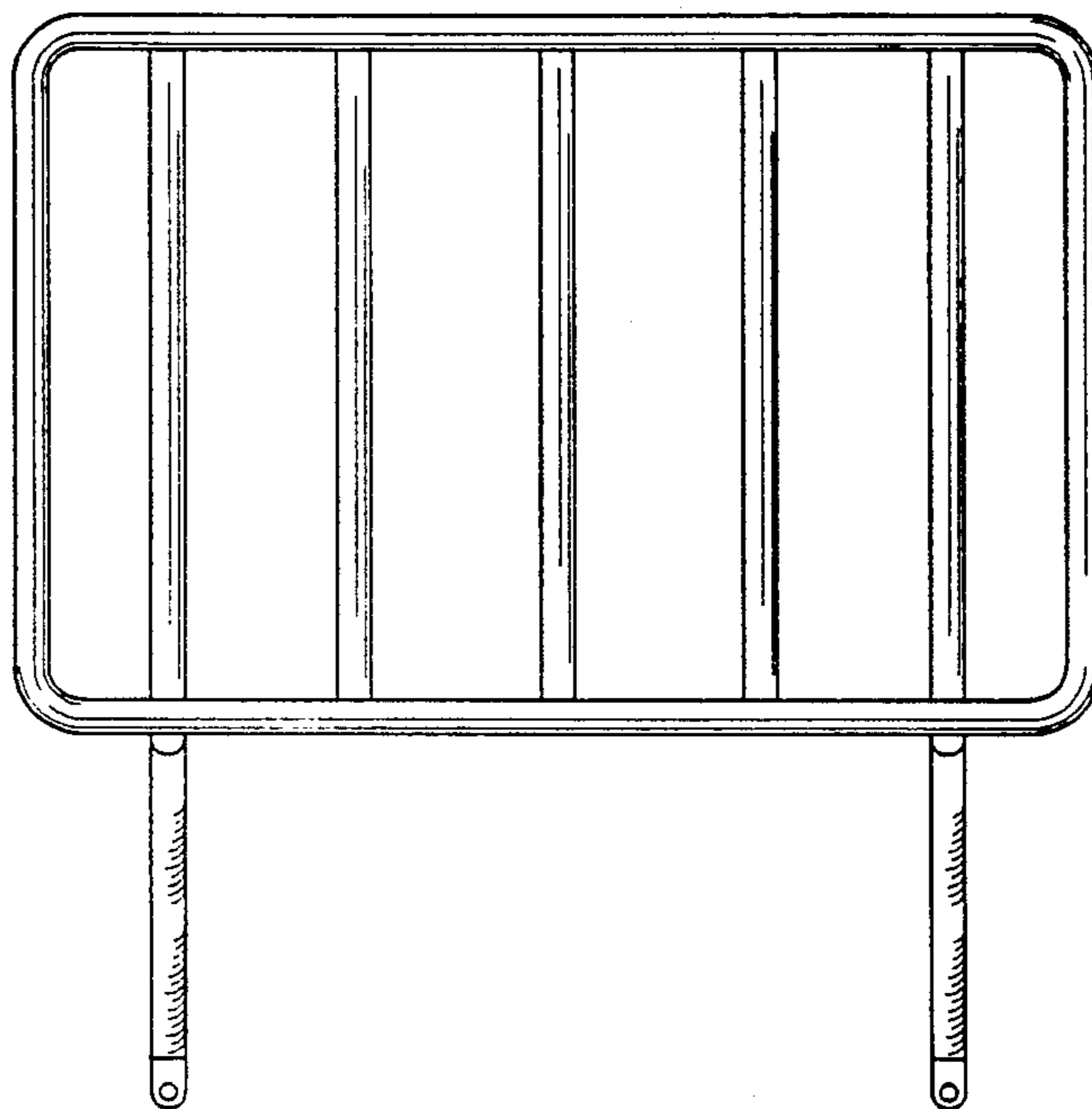


FIG. 6

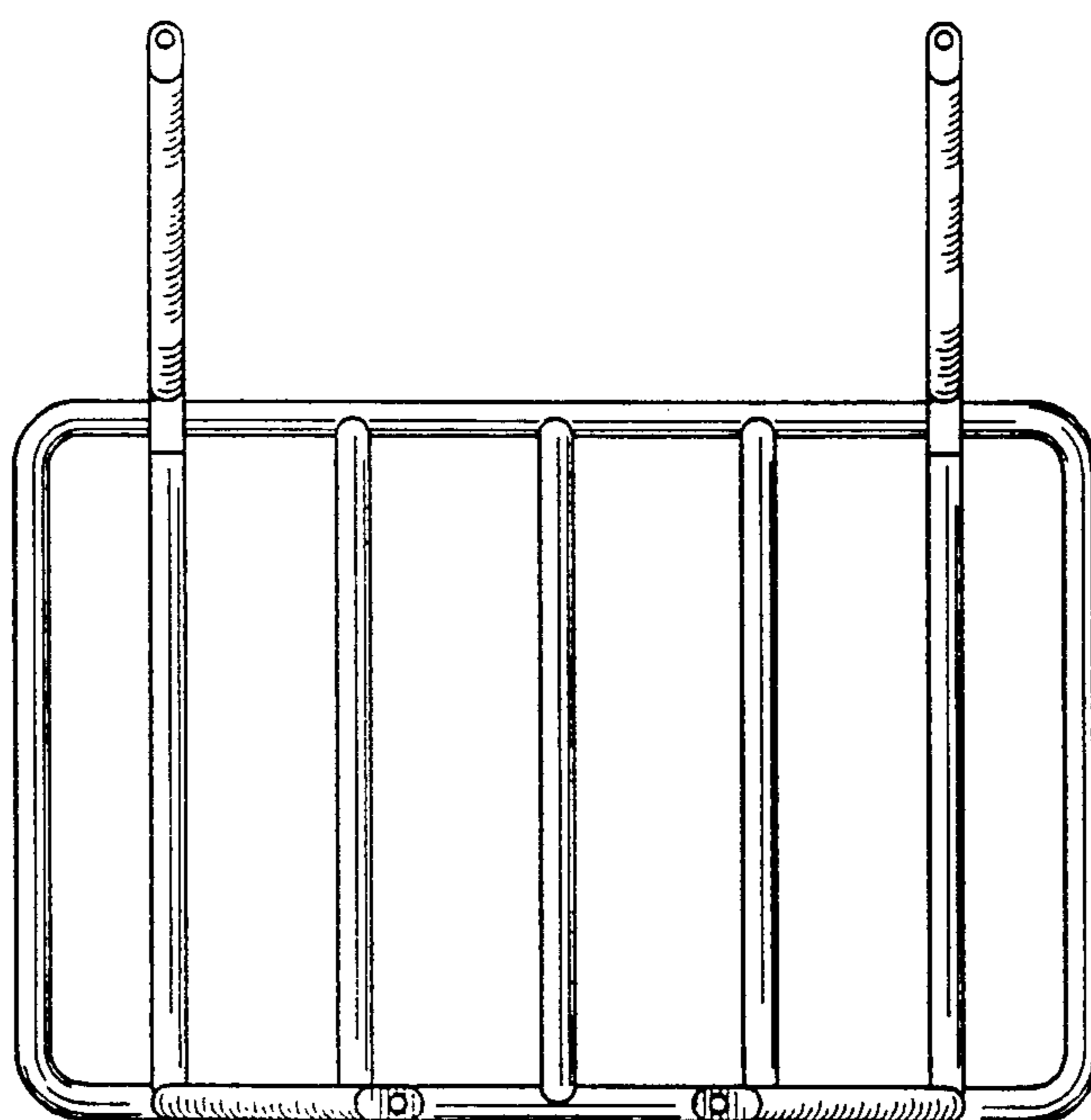


FIG. 7

